



US00D579756S

(12) **United States Design Patent**
Hentschel et al.

(10) **Patent No.:** **US D579,756 S**
(45) **Date of Patent:** **** Nov. 4, 2008**

(54) **LOCK**

EM 000396452-0003 10/2005

(75) Inventors: **Andreas Hentschel**, Selters (DE);
Martin Hommel, Rehe (DE)

(73) Assignee: **ABUS August Bremicker Soehne KG**,
Wetter-Volmarstein (DE)

(**) Term: **14 Years**

(21) Appl. No.: **29/302,819**

(22) Filed: **Jan. 25, 2008**

(51) **LOC (8) Cl.** **08-07**

(52) **U.S. Cl.** **D8/331; D8/336**

(58) **Field of Classification Search** D8/330,
D8/331, 334, 336, 338, 339, 343; 70/14,
70/20-30, 35, 38 R, 57, 57.1, 141, 233, 258,
70/465

See application file for complete search history.

(56) **References Cited**

U.S. PATENT DOCUMENTS

5,018,374	A *	5/1991	Montano	70/233
5,076,531	A *	12/1991	Delaney	248/552
5,433,092	A *	7/1995	Kuo	70/46
5,475,993	A *	12/1995	Kuo	70/18
D402,180	S *	12/1998	Chappell	D8/333
D439,133	S *	3/2001	Hoyland	D8/339
D498,132	S *	11/2004	Lai	D8/334
6,820,448	B1 *	11/2004	Hsieh	70/18
D511,673	S *	11/2005	Lai	D8/334

FOREIGN PATENT DOCUMENTS

DE	102005040066	3/2007
EM	000396452-0001	8/2005
EM	000396452-0002	10/2005

OTHER PUBLICATIONS

Bicycles & Equipment Spring 2003, Specialized, 2 pages.

* cited by examiner

Primary Examiner—Prabhakar Deshmukh

(74) *Attorney, Agent, or Firm*—Gifford, Krass, Sprinkle,
Anderson & Citkowski, P.C.

(57) **CLAIM**

The ornamental design for a lock, as shown and described.

DESCRIPTION

FIG. 1 is a perspective view of a lock showing our new design;
 FIG. 2 is another perspective view of the lock of FIG. 1;
 FIG. 3 is a further perspective view of the lock of FIG. 1;
 FIG. 4 is a front elevation view of the lock of FIG. 1;
 FIG. 5 is a rear elevation view of the lock of FIG. 1;
 FIG. 6 is a top plan view of the lock of FIG. 1;
 FIG. 7 is a bottom plan view of the lock of FIG. 1;
 FIG. 8 is a first side elevation view of the lock of FIG. 1;
 FIG. 9 is a second side view of the lock of FIG. 1;
 FIG. 10 is a perspective view of a second embodiment of the
 lock;
 FIG. 11 is a front elevation view of the lock of FIG. 10;
 FIG. 12 is a rear elevation view of the lock of FIG. 10;
 FIG. 13 is top plan view of the lock of FIG. 10;
 FIG. 14 is a bottom plan view of the lock of FIG. 10; and,
 FIG. 15 is a second side view of the lock of FIG. 10, it being
 understood that the first side view thereof is identical to FIG.
 8.

1 Claim, 15 Drawing Sheets

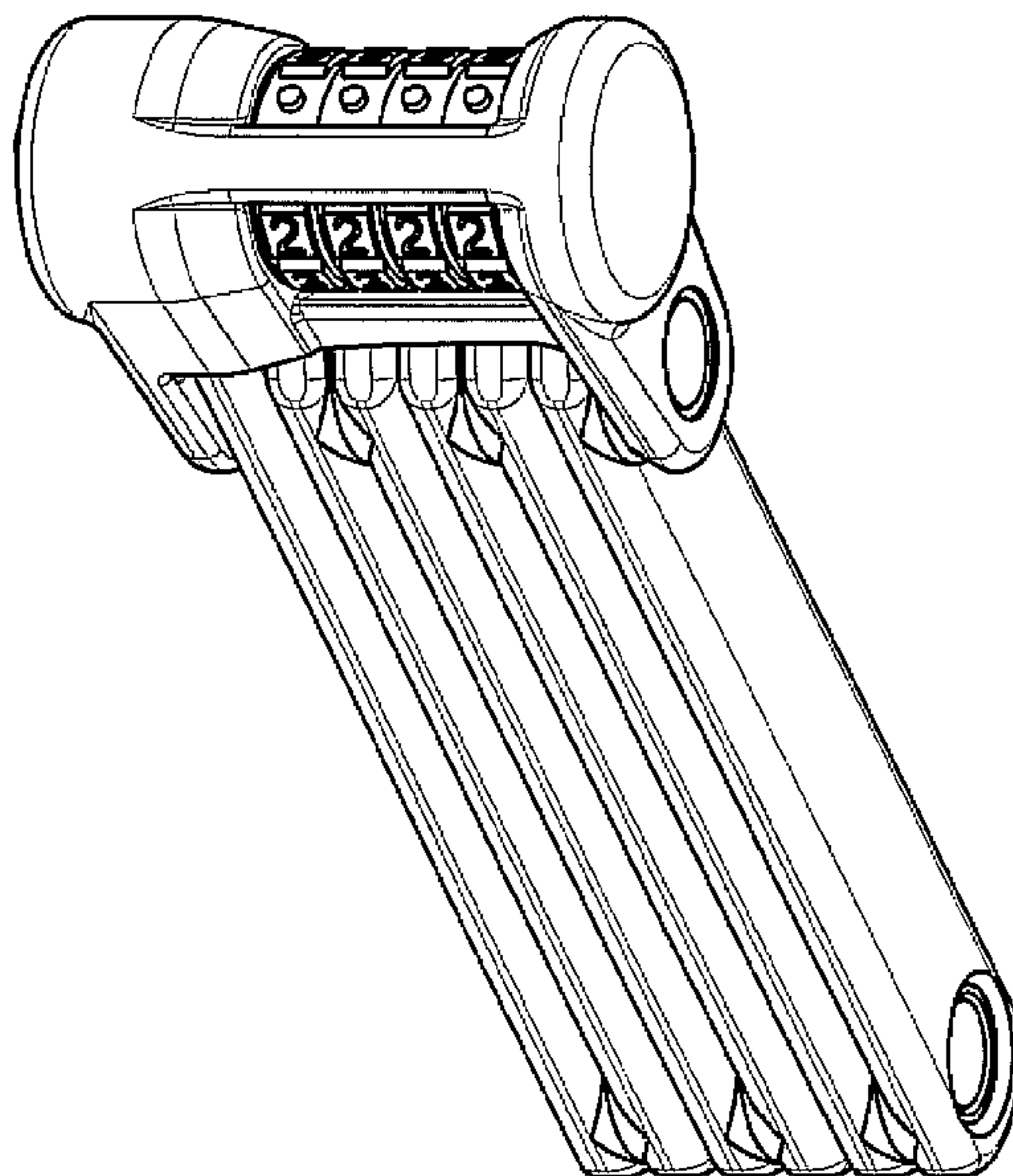


FIG. 1

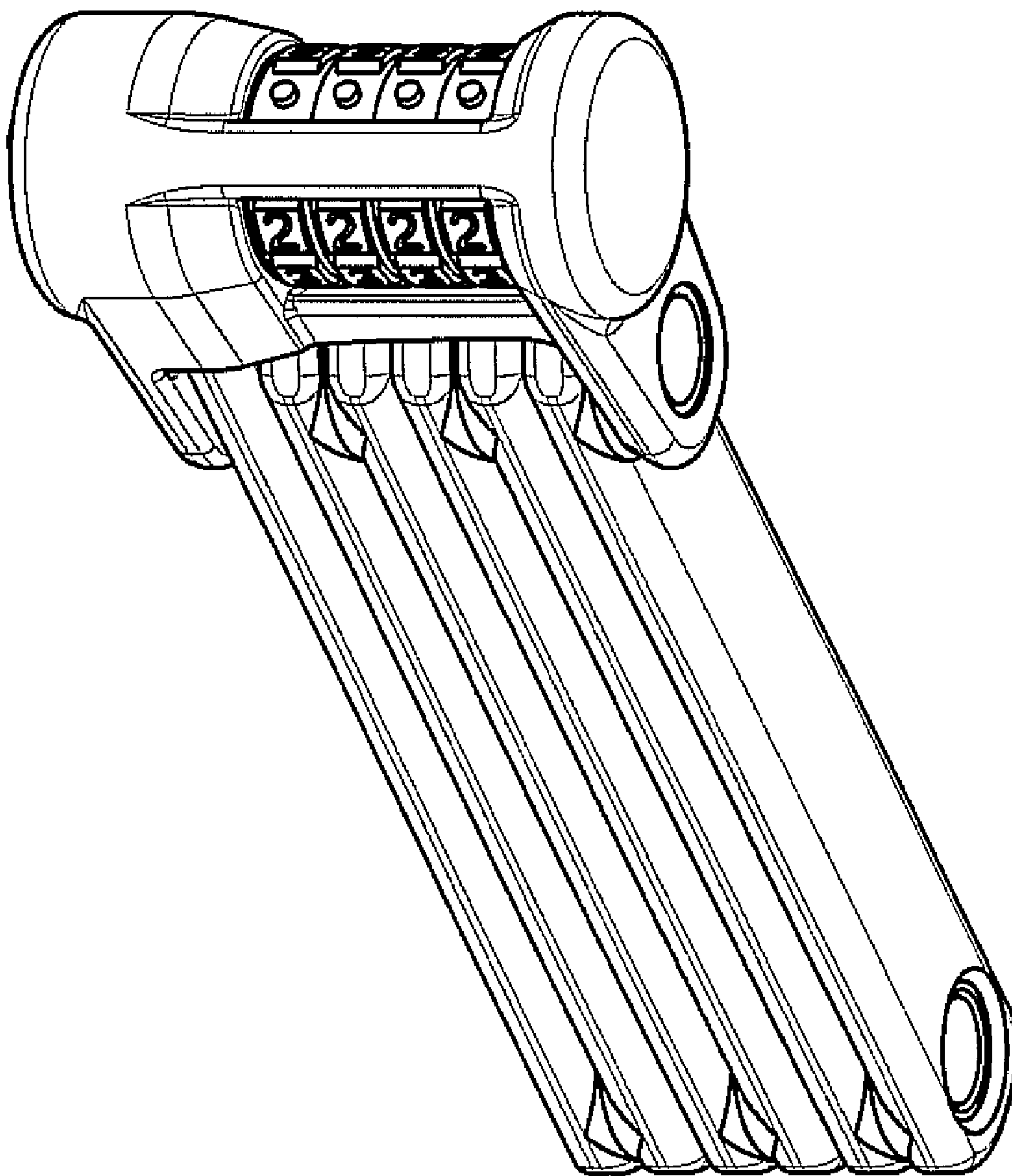


FIG. 2

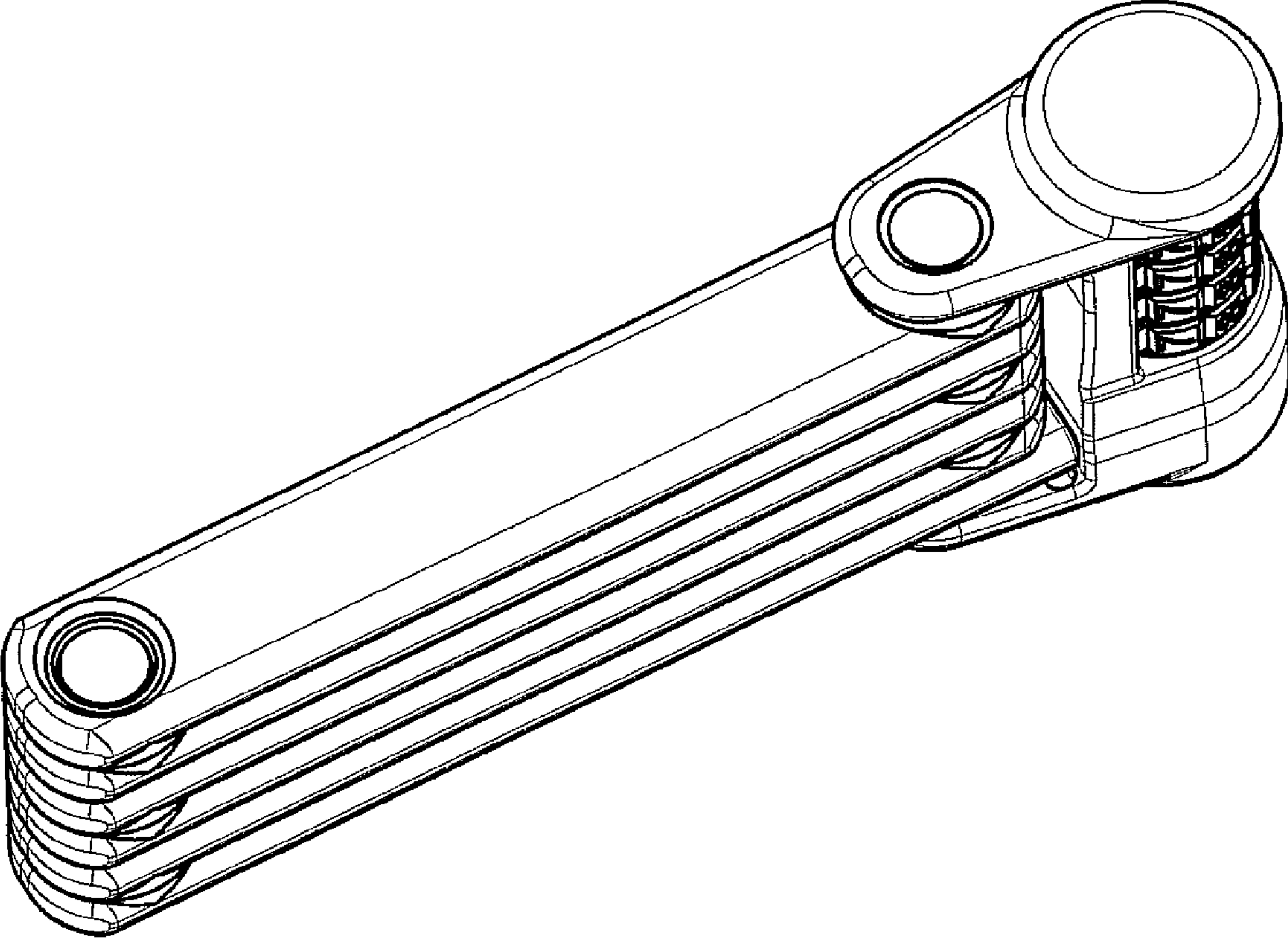


FIG. 3

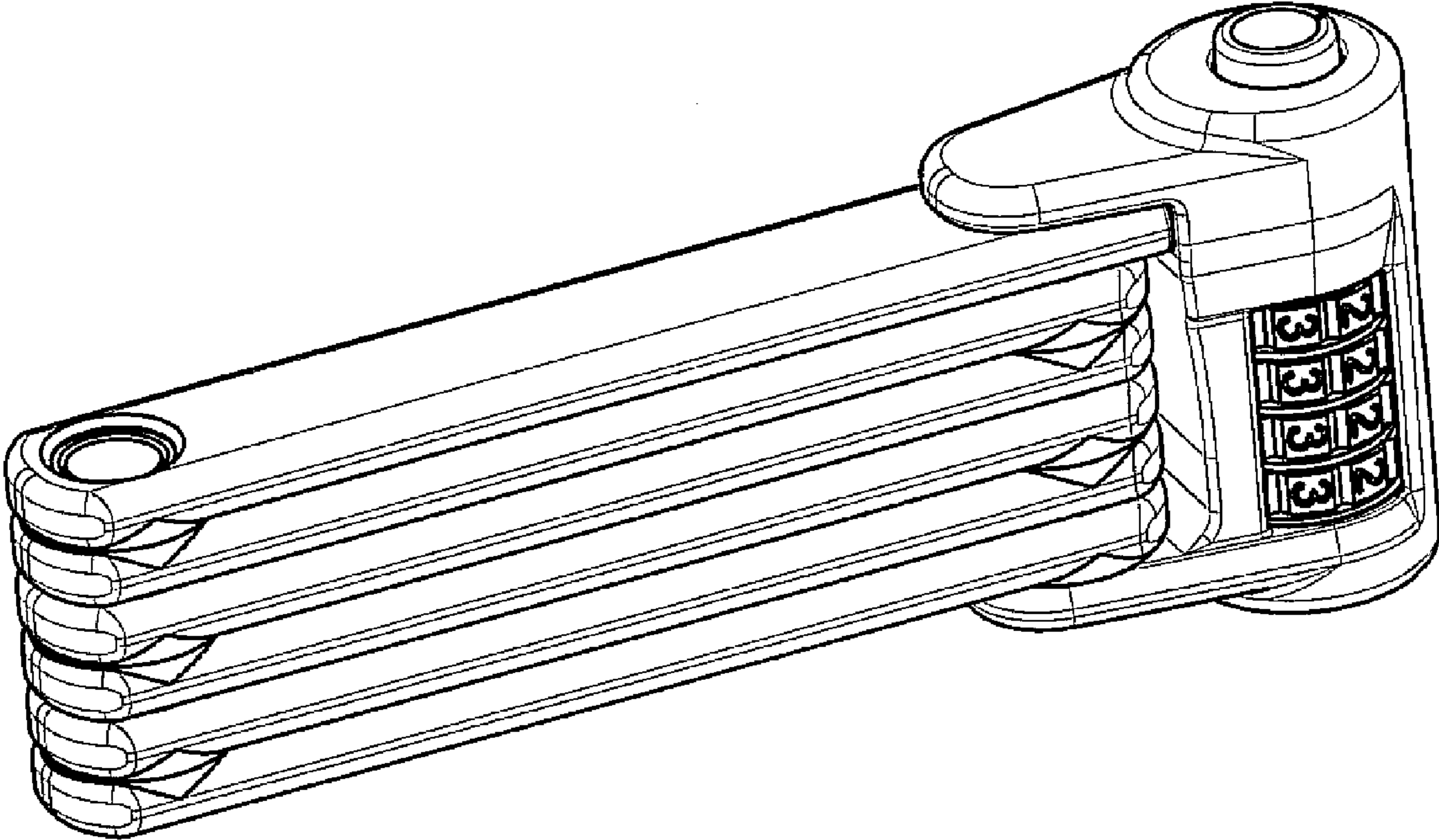


FIG. 4

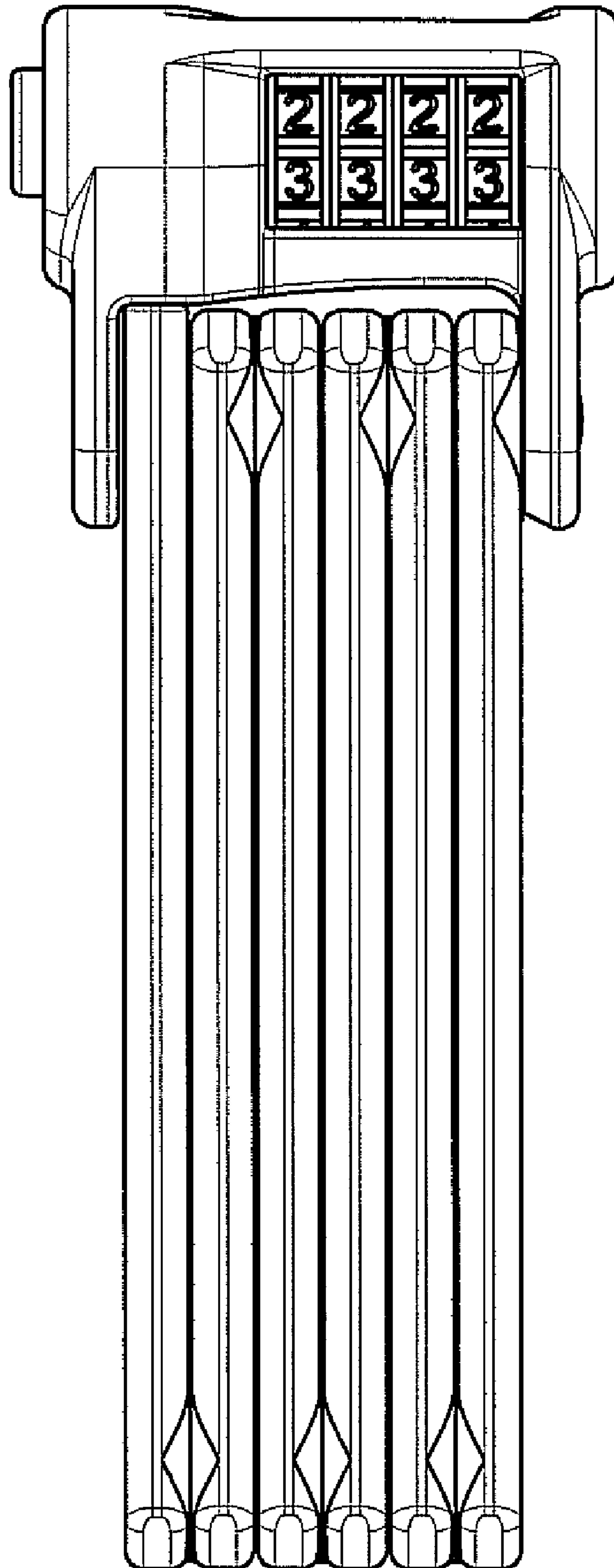


FIG. 5

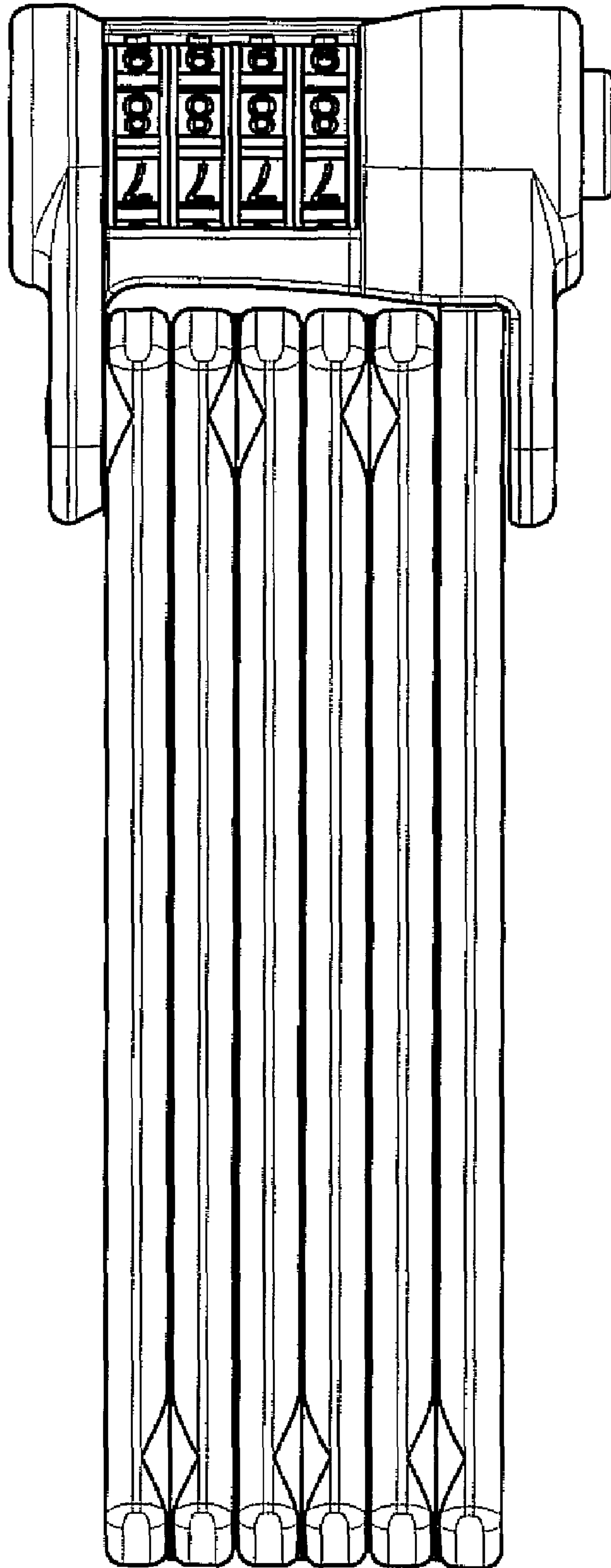


FIG. 6

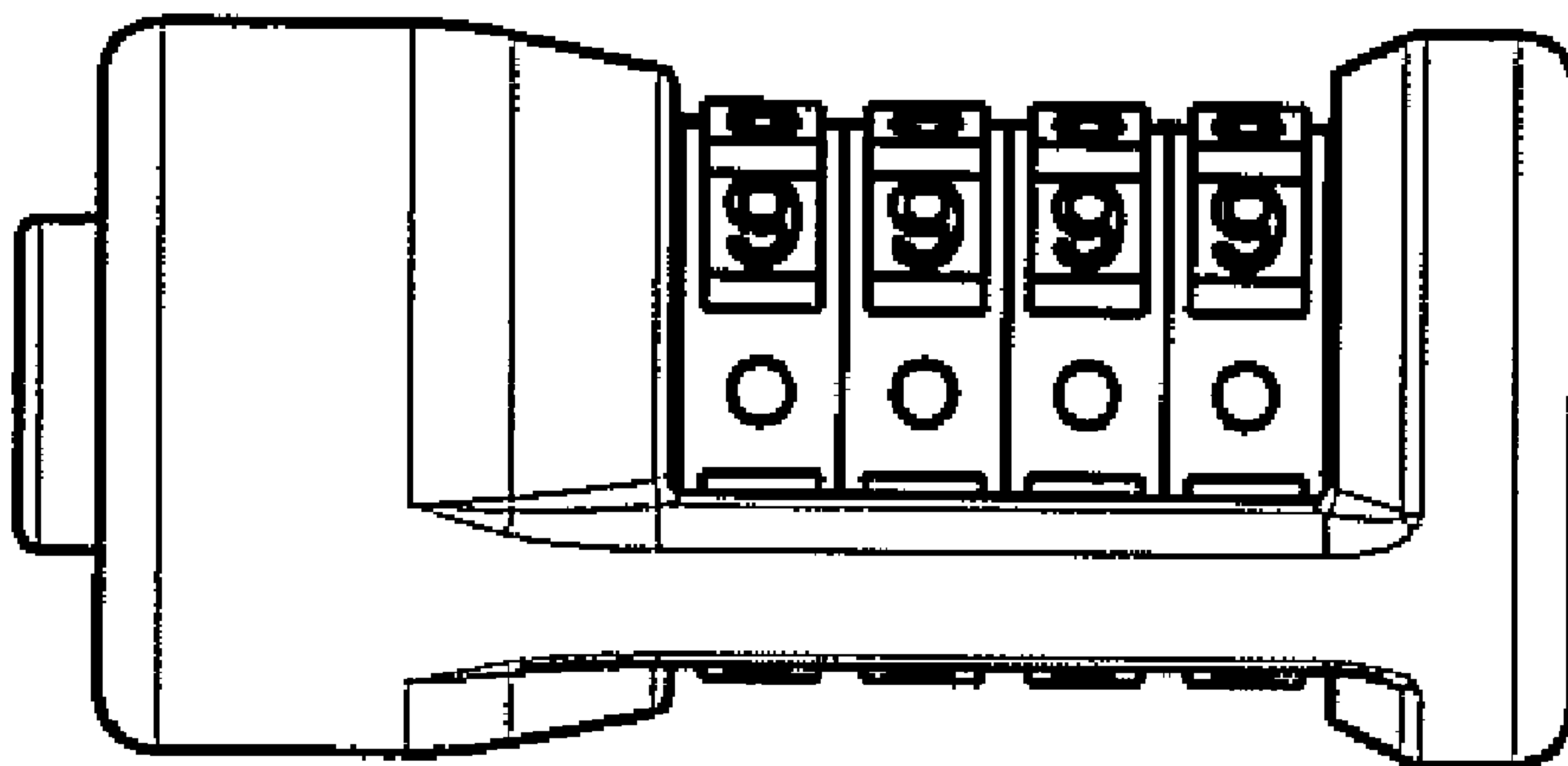


FIG. 7

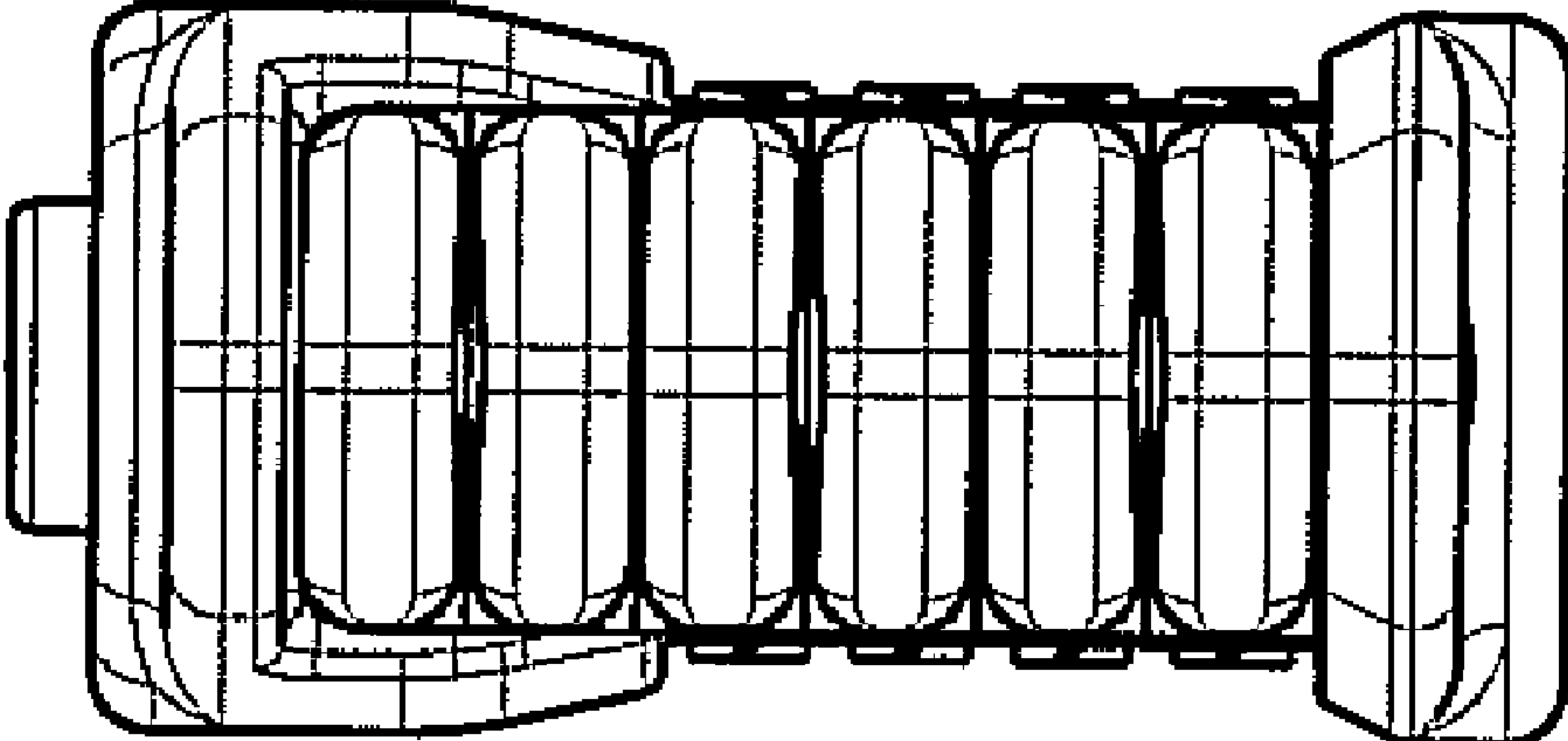


FIG. 8

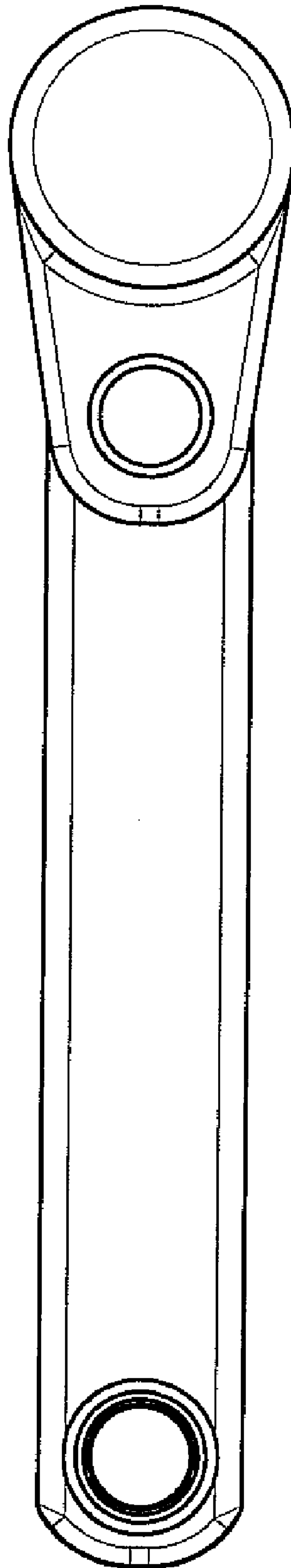


FIG. 9

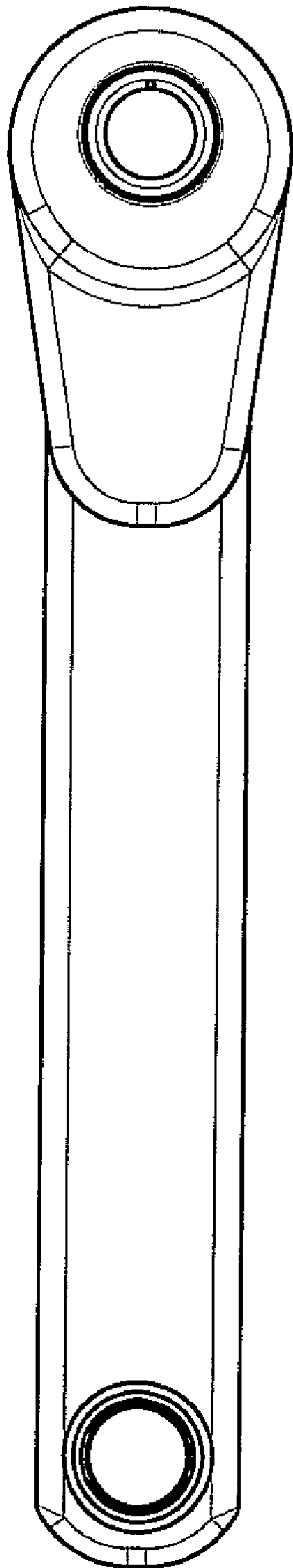


FIG. 10

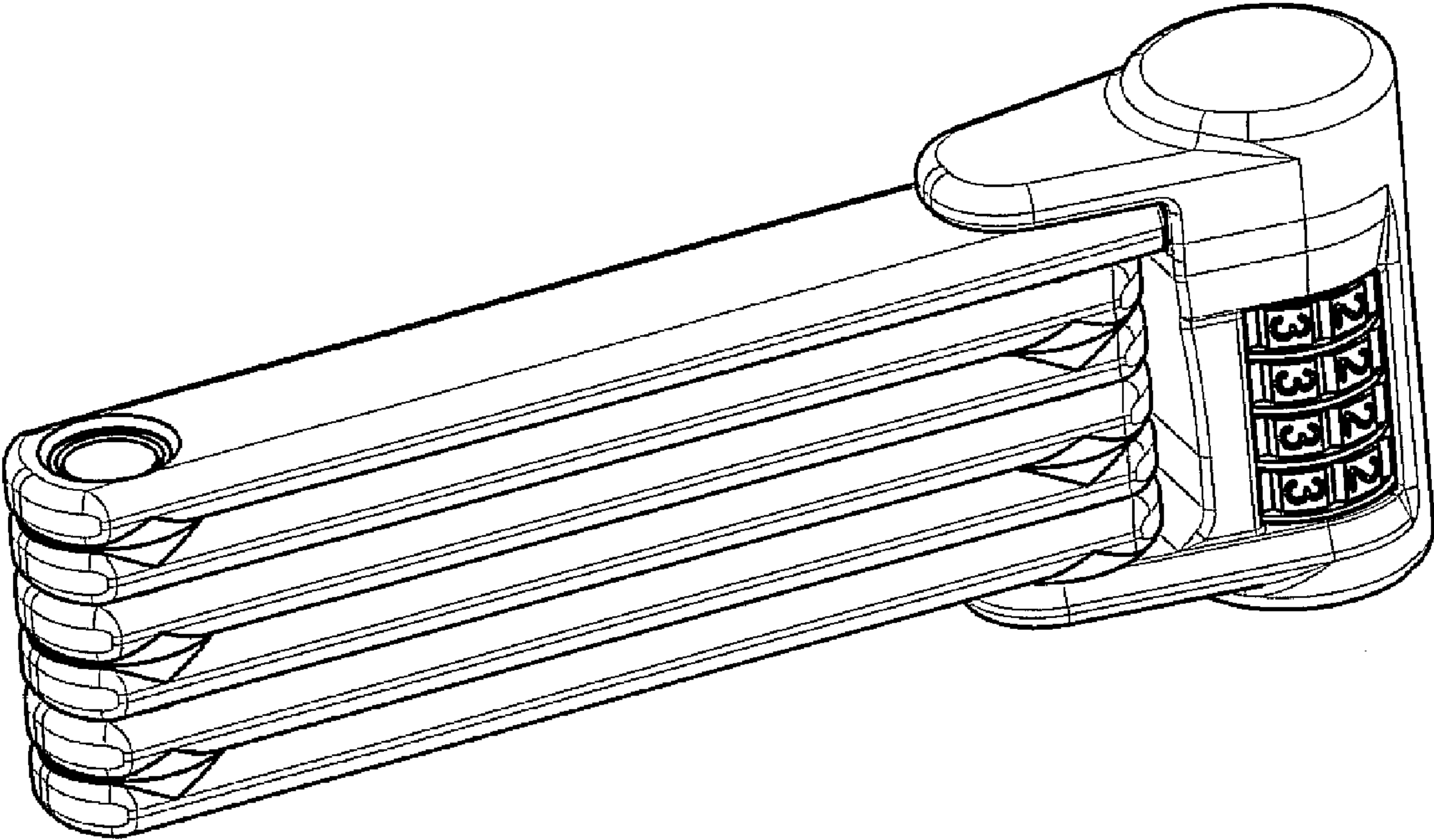


FIG. 11

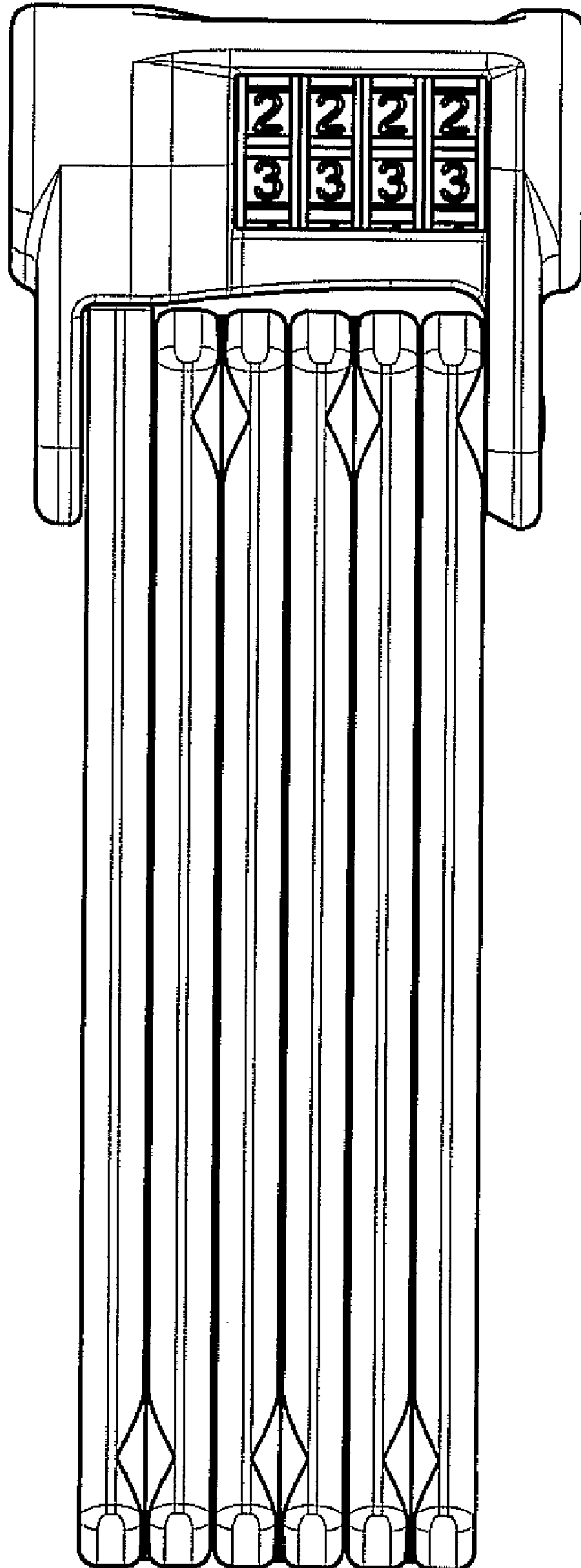


FIG. 12

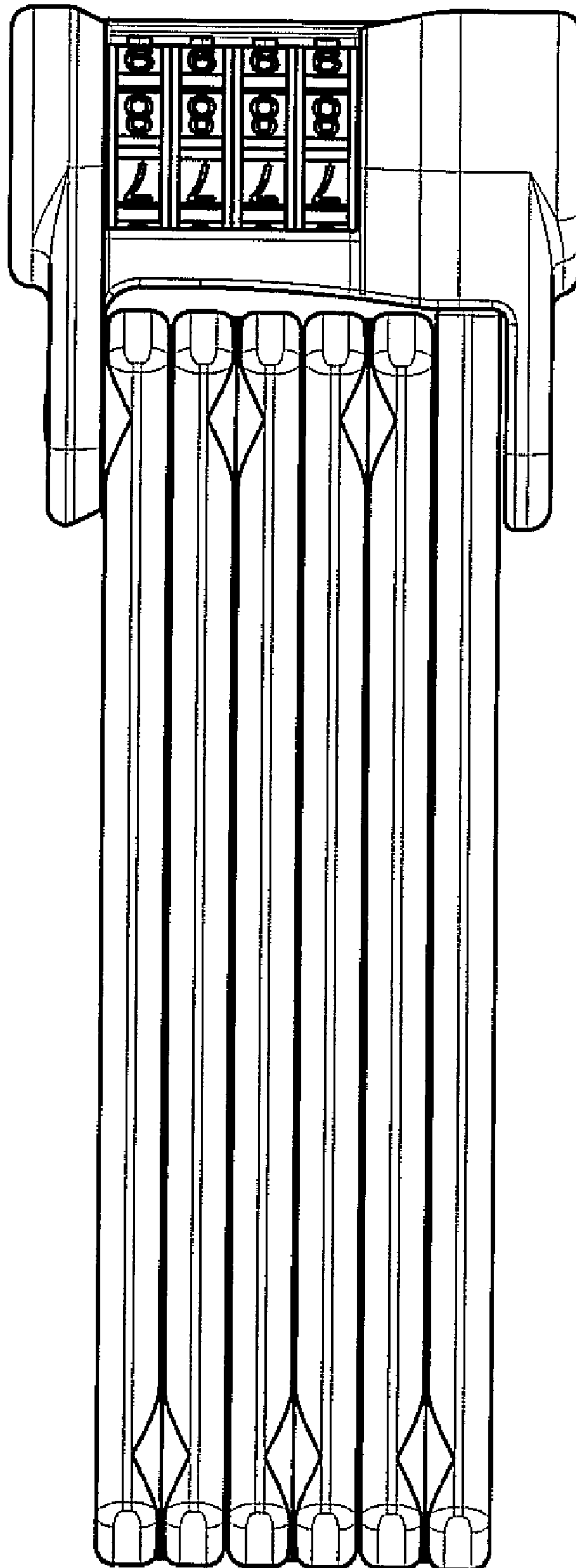


FIG. 13

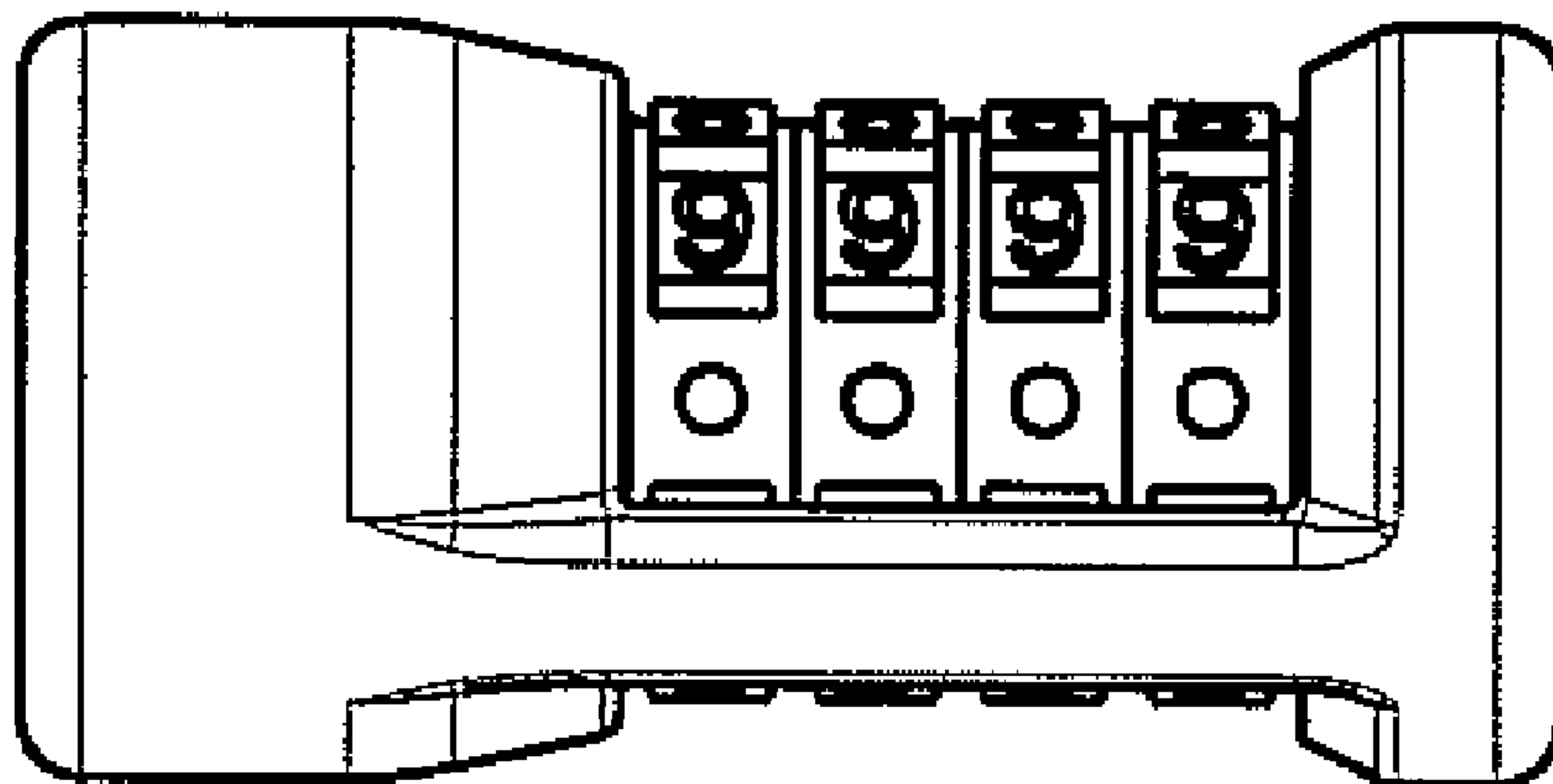


FIG. 14

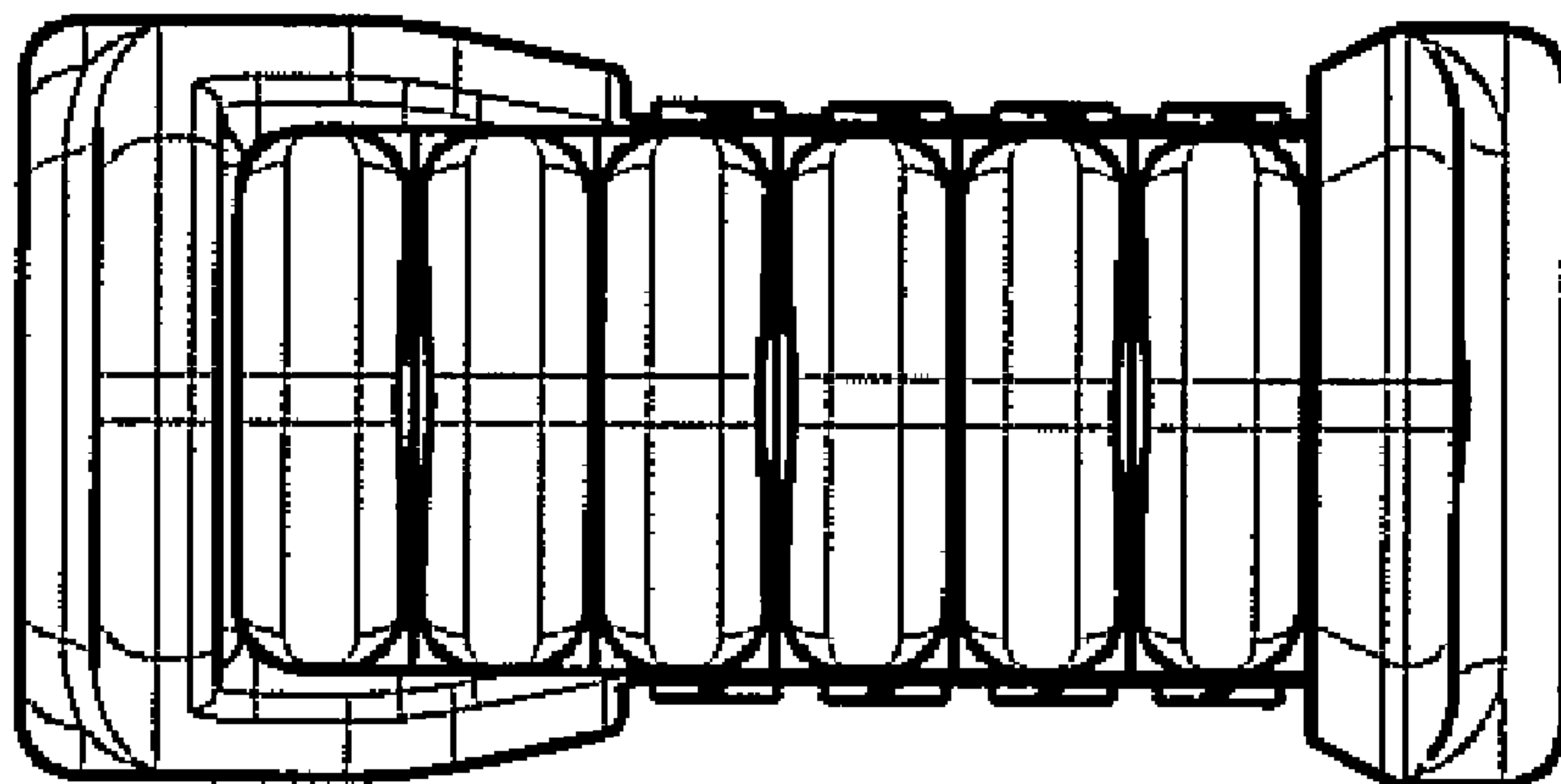


FIG. 15

