

US00D579755S

(12) **United States Design Patent**
Burton

(10) **Patent No.:** **US D579,755 S**

(45) **Date of Patent:** **** Nov. 4, 2008**

(54) **LOCK CASING**

D361,499 S * 8/1995 Gisiger D8/331
D528,899 S * 9/2006 Bell et al. D8/331
D548,565 S * 8/2007 Vickers D8/331

(75) Inventor: **Iain Dore Burton**, Midhurst (GB)

* cited by examiner

(73) Assignee: **Aspinal of London Ltd**, Fernhurst, West Sussex (GB)

Primary Examiner—Stella M. Reid

Assistant Examiner—Shanda C Hill

(**) Term: **14 Years**

(74) *Attorney, Agent, or Firm*—Colin P. Cahoon; Carstens & Cahoon, LLP

(21) Appl. No.: **29/250,755**

(22) Filed: **Nov. 30, 2006**

(57) **CLAIM**

(30) **Foreign Application Priority Data**

The ornamental design for a lock casing, as shown and described.

Jun. 1, 2006 (EM) 000537899

DESCRIPTION

(51) **LOC (8) Cl.** **08-07**

FIG. 1 is a perspective view of a lock casing showing my new design;

(52) **U.S. Cl.** **D8/331**

FIG. 2 is a front elevation view thereof;

(58) **Field of Classification Search** D8/301,
D8/302, 330, 331, 341–346, 349; 70/288,
70/306, 312, 316; 292/DIG. 26, 42, 48, 49

FIG. 3 is a rear elevation view thereof;

See application file for complete search history.

FIG. 4 is a right elevation view thereof;

FIG. 5 is a left elevation view thereof;

(56) **References Cited**

FIG. 6 is a top plan view thereof; and,

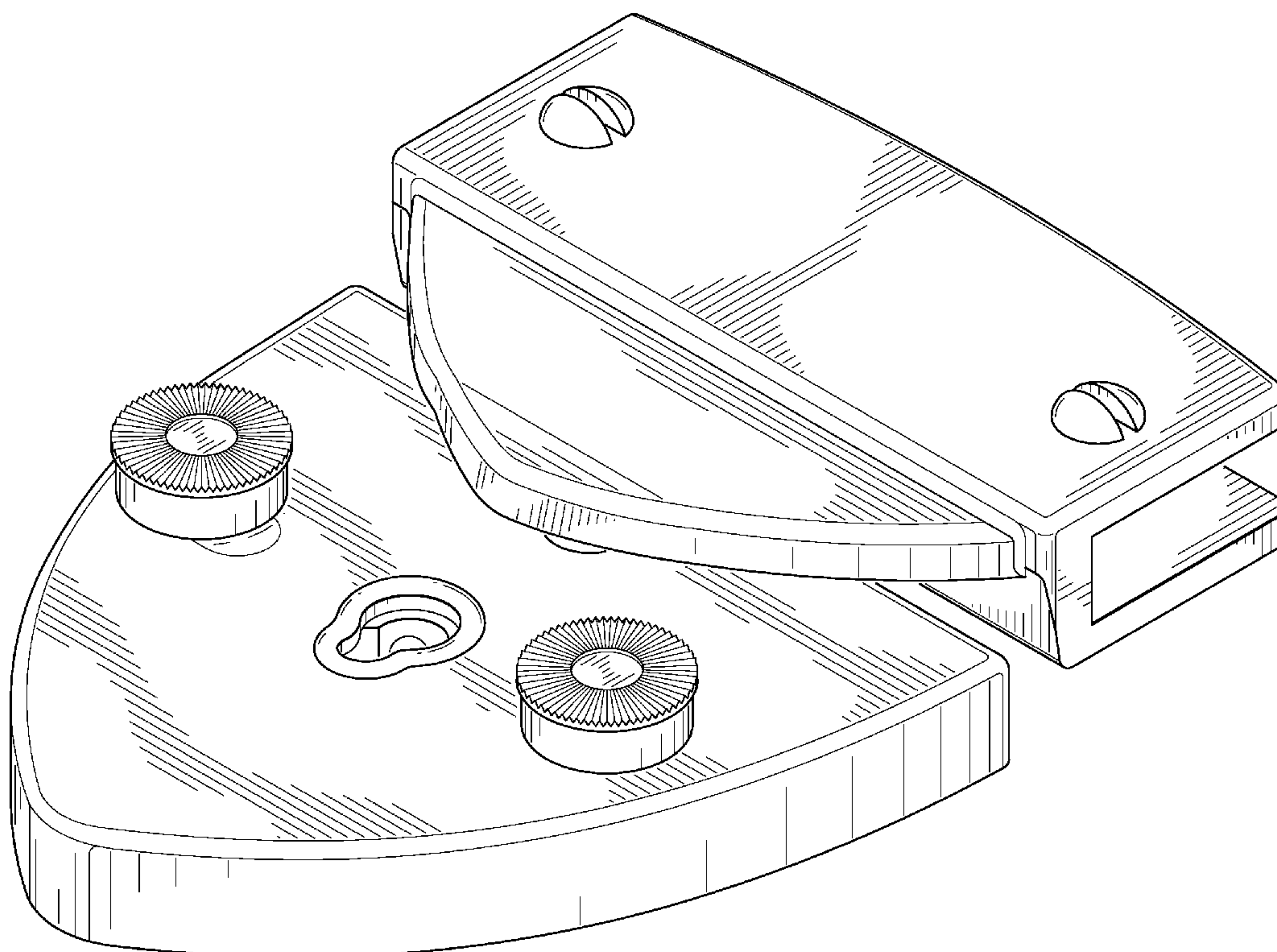
FIG. 7 is a bottom plan view thereof.

U.S. PATENT DOCUMENTS

D83,655 S * 3/1931 Widmer D8/342
D194,552 S * 2/1963 Gehrie D8/342
D351,331 S * 10/1994 Kuo D8/331
D358,975 S * 6/1995 Gisiger D8/331
D358,977 S * 6/1995 Gisiger D8/331
D359,223 S * 6/1995 Gisiger D8/331

The broken lines shown in the drawing disclosure are for illustrative purposes only and form no part of the claimed design.

1 Claim, 5 Drawing Sheets



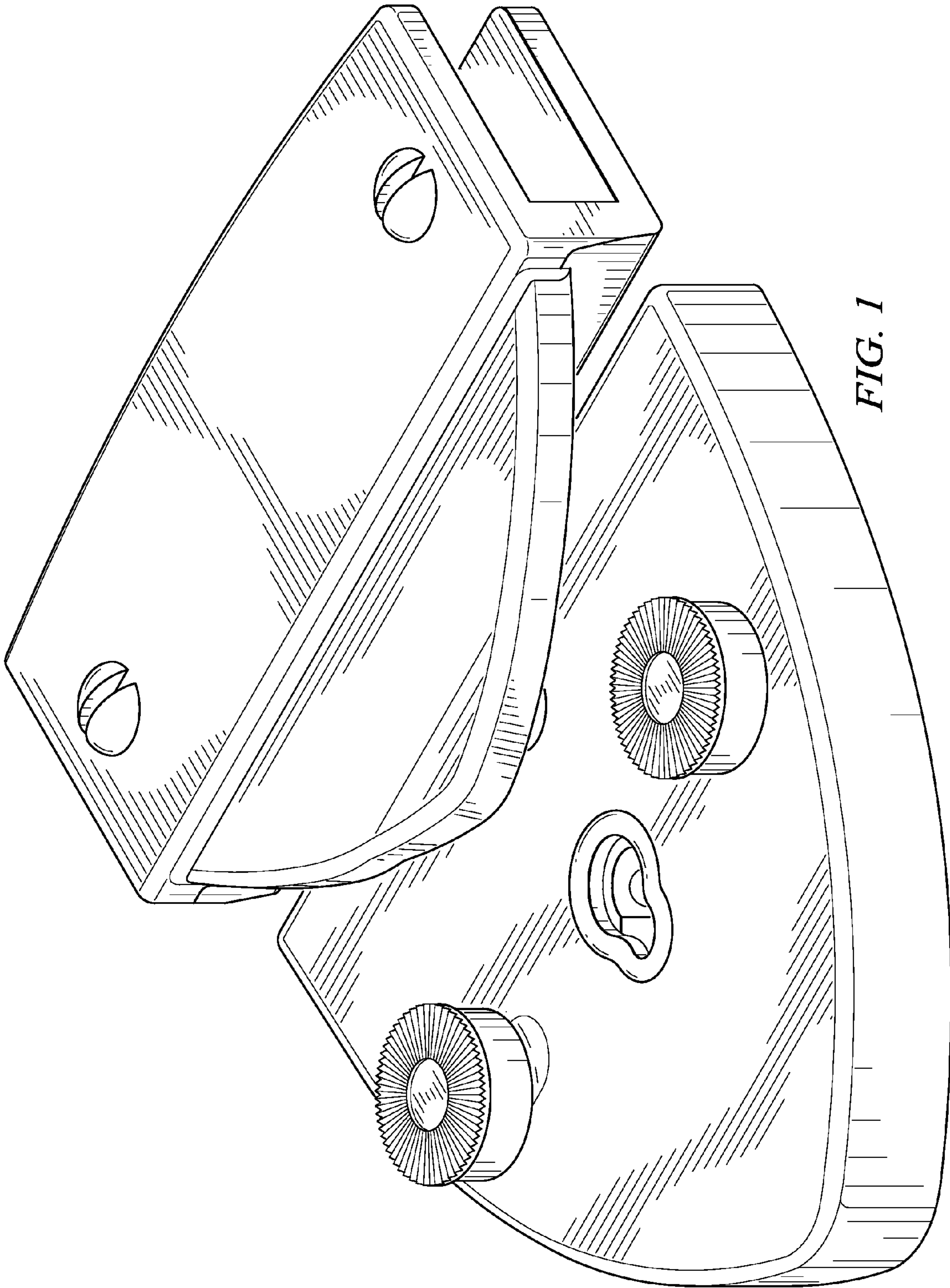


FIG. 1

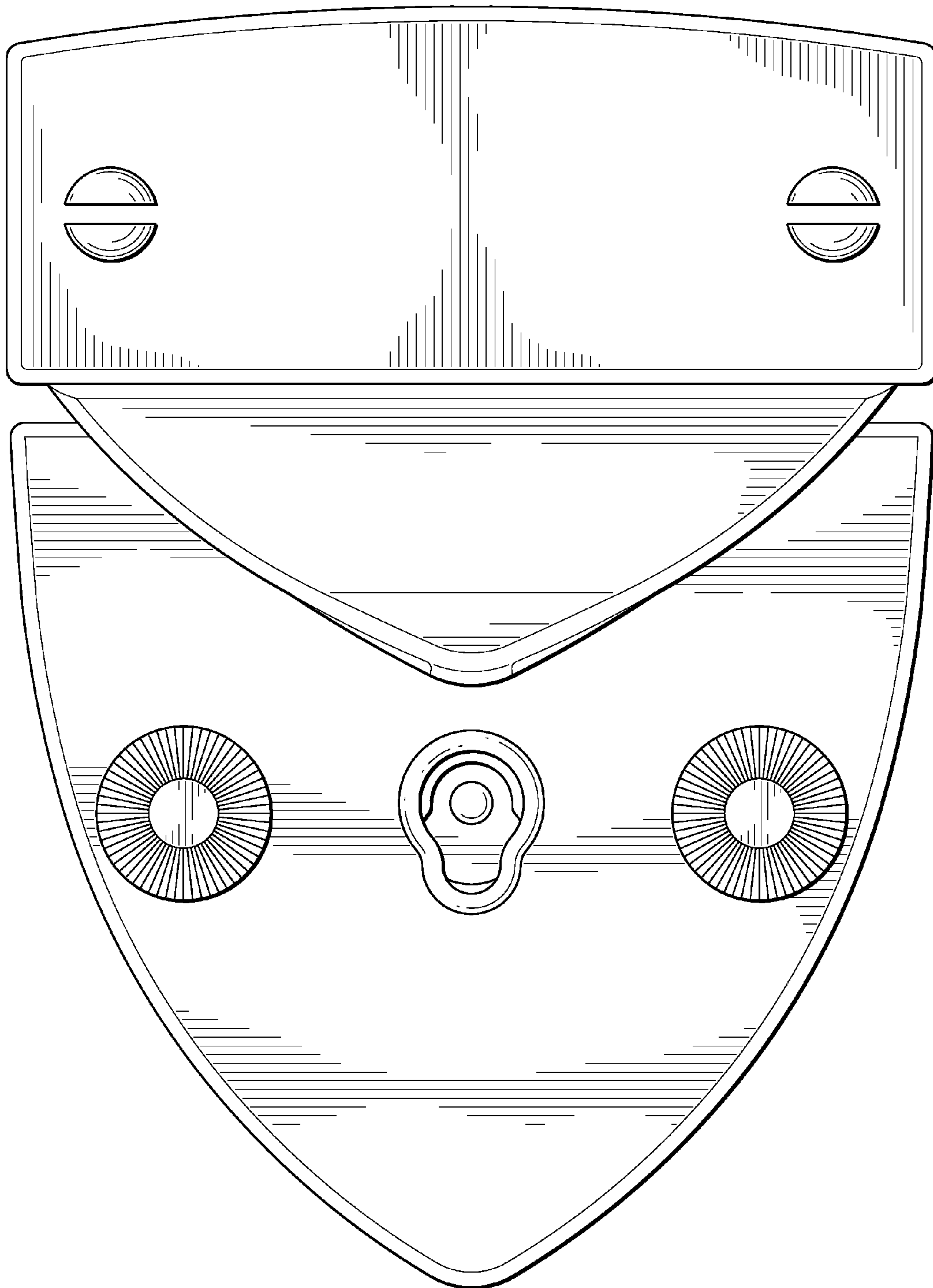


FIG. 2

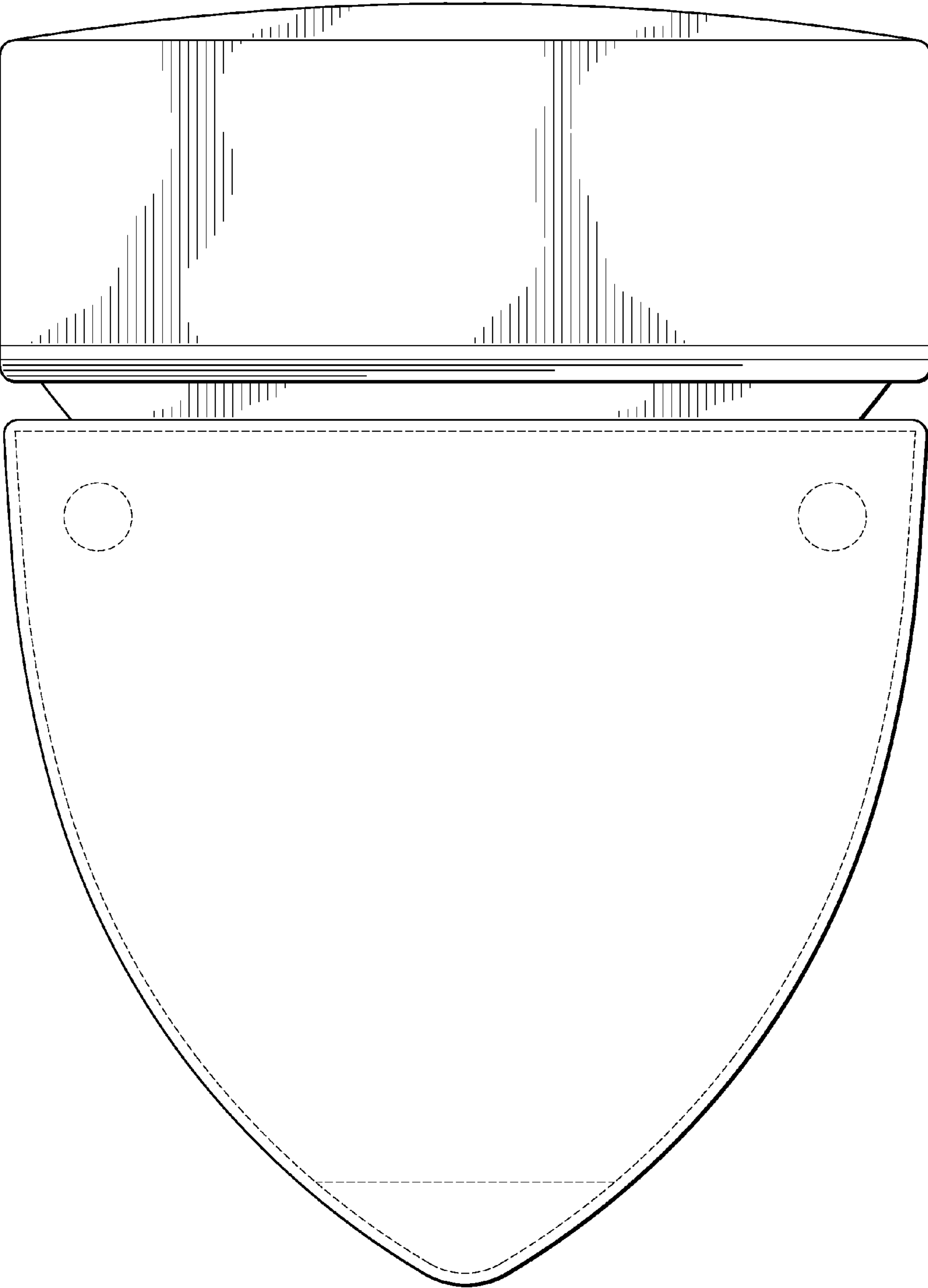


FIG. 3

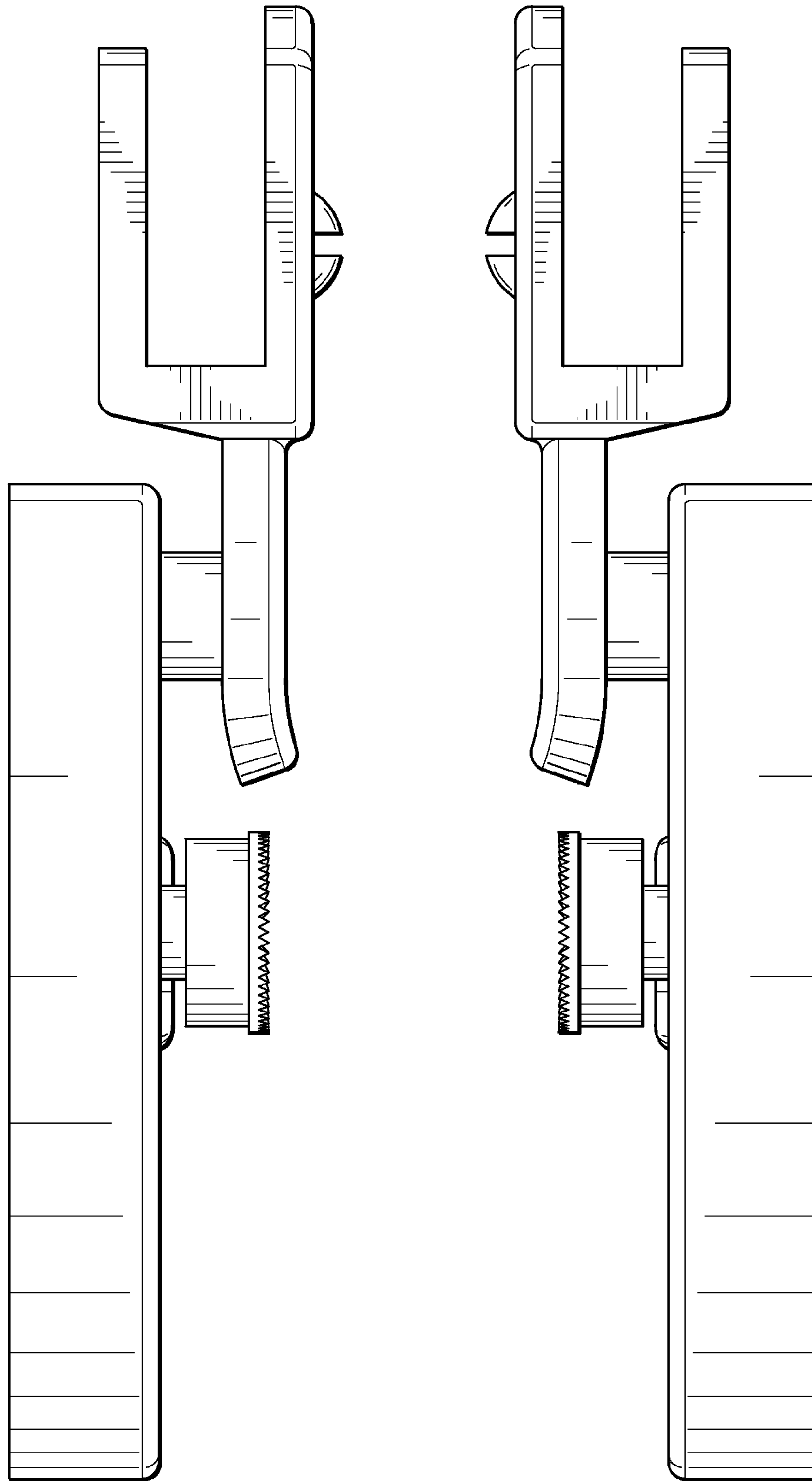


FIG. 4

FIG. 5

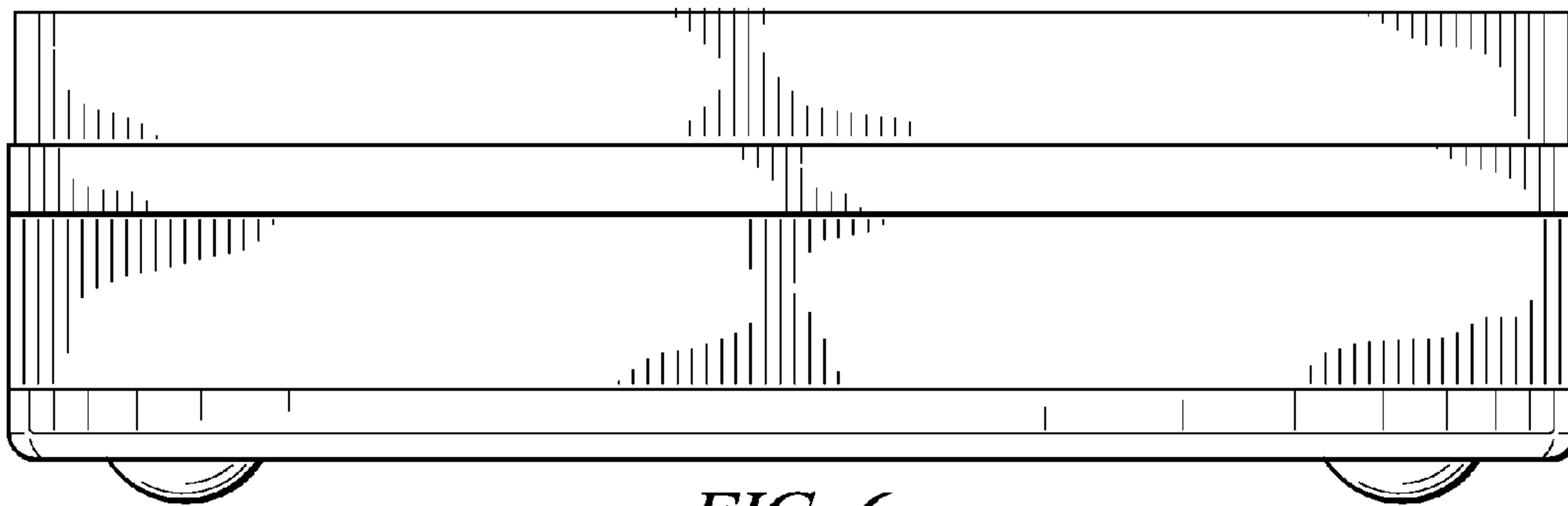


FIG. 6

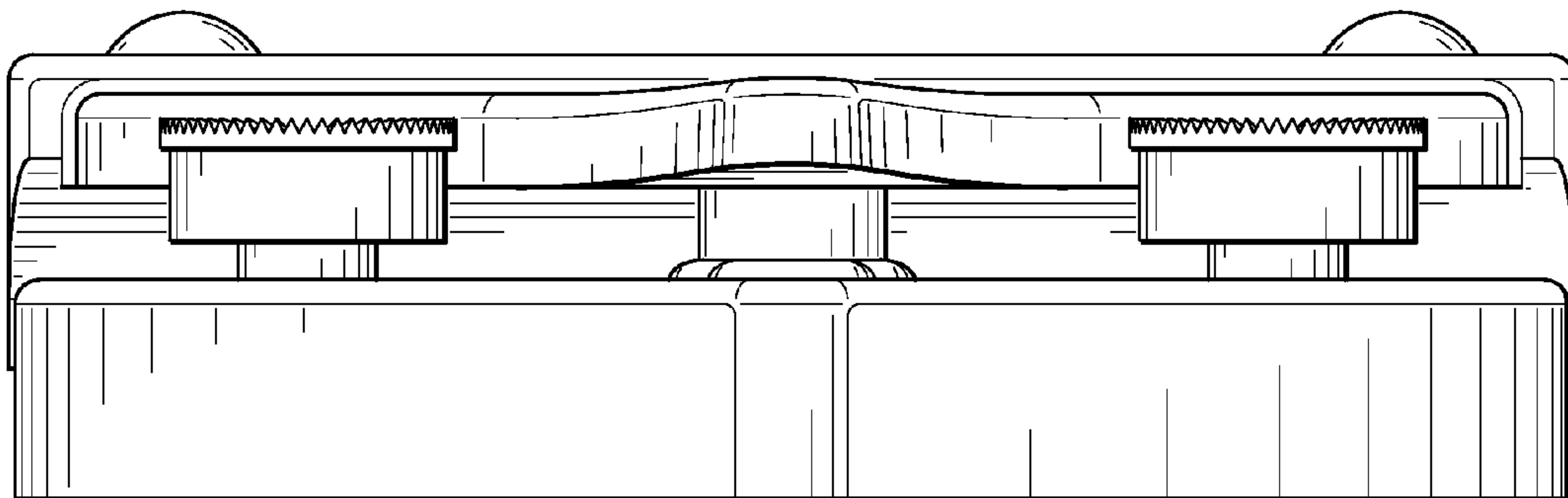


FIG. 7