



US00D579748S

(12) **United States Design Patent**
Schneider

(10) **Patent No.:** **US D579,748 S**

(45) **Date of Patent:** **** Nov. 4, 2008**

(54) **DOOR LEVER**

(75) Inventor: **Elliott Schneider**, Irvine, CA (US)

(73) Assignee: **Newfrey LLC**, Newark, DE (US)

(**) Term: **14 Years**

(21) Appl. No.: **29/289,327**

(22) Filed: **Jul. 16, 2007**

(51) **LOC (8) Cl.** **08-06**

(52) **U.S. Cl.** **D8/308**

(58) **Field of Classification Search** D8/300,
D8/301, 307, 308, 312, DIG. 3; D23/250,
D23/252; 16/110.1; 74/519, 543

See application file for complete search history.

(56) **References Cited**

U.S. PATENT DOCUMENTS

| | | | |
|--------------|---------|-----------------------|---------|
| D84,387 S | 6/1931 | Wolters | |
| D261,726 S | 11/1981 | Valli | |
| D285,597 S | 9/1986 | Miller | |
| D290,496 S | 6/1987 | Ryan | |
| D313,541 S | 1/1991 | Thur | |
| D384,730 S | 10/1997 | Doughty et al. | |
| D390,087 S | 2/1998 | Ebbersten | |
| D471,964 S * | 3/2003 | Bates et al. | D23/252 |
| D496,434 S | 9/2004 | Spangler | |
| D502,078 S | 2/2005 | Denoual | |
| D512,767 S | 12/2005 | Ouyoung | |
| D514,204 S | 1/2006 | Spangler | |
| D517,174 S * | 3/2006 | Singtoroj | D23/252 |
| D521,115 S | 5/2006 | Koury et al. | |
| D522,839 S * | 6/2006 | Hu | D8/308 |
| D523,119 S | 6/2006 | Fritz | |
| D523,121 S | 6/2006 | Schaffeld et al. | |
| D523,533 S | 6/2006 | Schaffeld et al. | |
| D523,935 S * | 6/2006 | Schaffeld et al. | D23/252 |

| | | | |
|--------------|--------|--------------------|--------|
| D524,630 S * | 7/2006 | Veltz | D8/308 |
| D525,512 S * | 7/2006 | Veltz | D8/302 |
| D525,516 S | 7/2006 | Veltz | |
| D528,898 S | 9/2006 | Hu | |
| D537,318 S | 2/2007 | Fan et al. | |
| D541,620 S * | 5/2007 | Roberts, III | D8/308 |

* cited by examiner

Primary Examiner—Paula Greene

(74) *Attorney, Agent, or Firm*—Ober/Kaler; Royal W. Craig

(57) **CLAIM**

The ornamental design for a door lever, as shown and described.

DESCRIPTION

FIG. 1 is a top side-perspective view of a door lever according to my new design.

FIG. 2 is a bottom side-perspective view of the door lever as in FIG. 1.

FIG. 3 is a top view of the door lever as in FIGS. 1–2.

FIG. 4 is a bottom view of the door lever as in FIGS. 1–3.

FIG. 5 is a back side-view of the door lever as in FIGS. 1–4.

FIG. 6 is a front side-view of the door lever as in FIGS. 1–5.

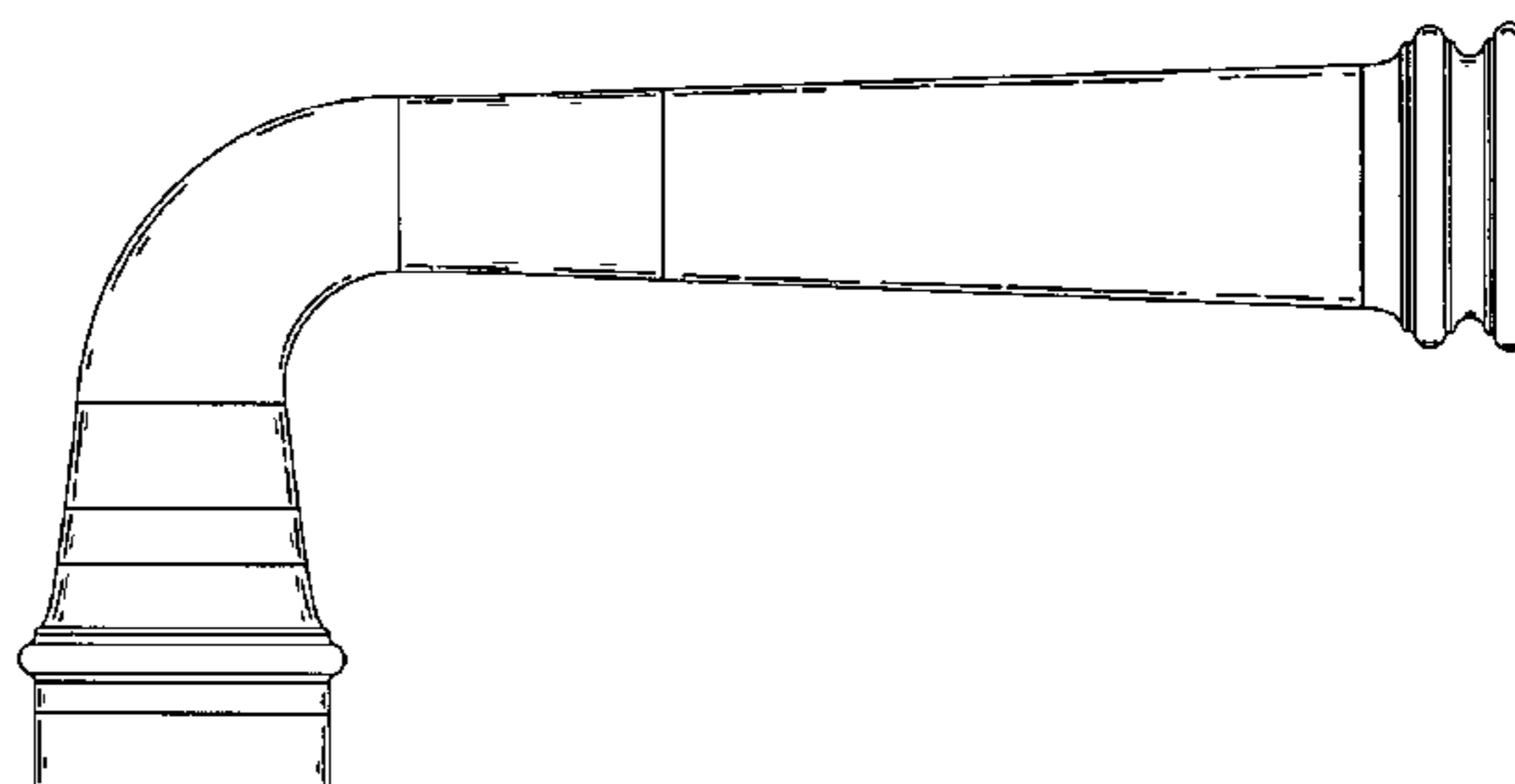
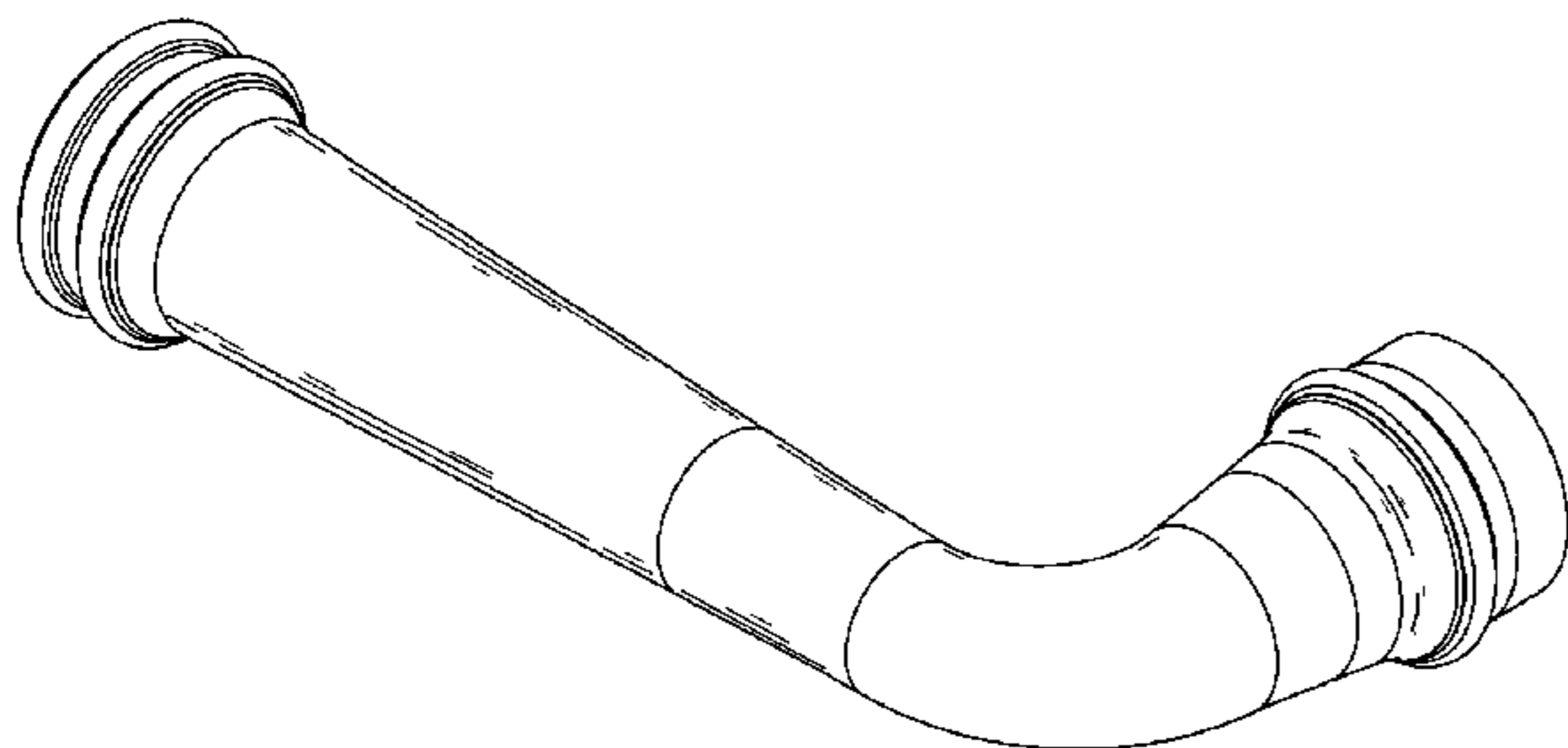
FIG. 7 is an enlarged left end view of the door lever as in FIGS. 1–6; and,

FIG. 8 is an enlarged right end view of the door lever as in FIGS. 1–7.

The design of the present invention and as shown in FIGS. 1–8 is an ornamental door lever.

The broken lines to the unclaimed environment in FIG. 5 forms no part of the claimed design.

1 Claim, 3 Drawing Sheets



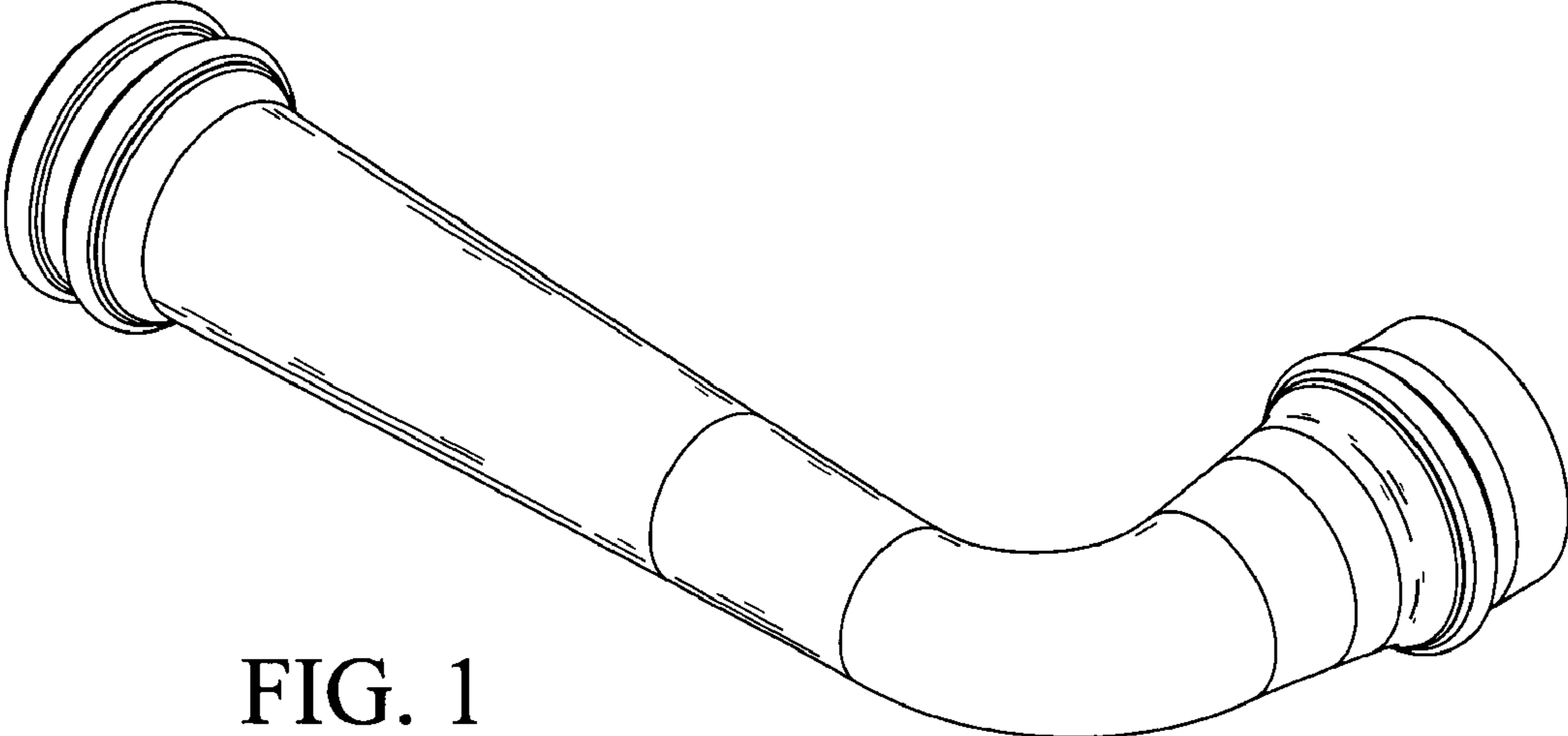


FIG. 1

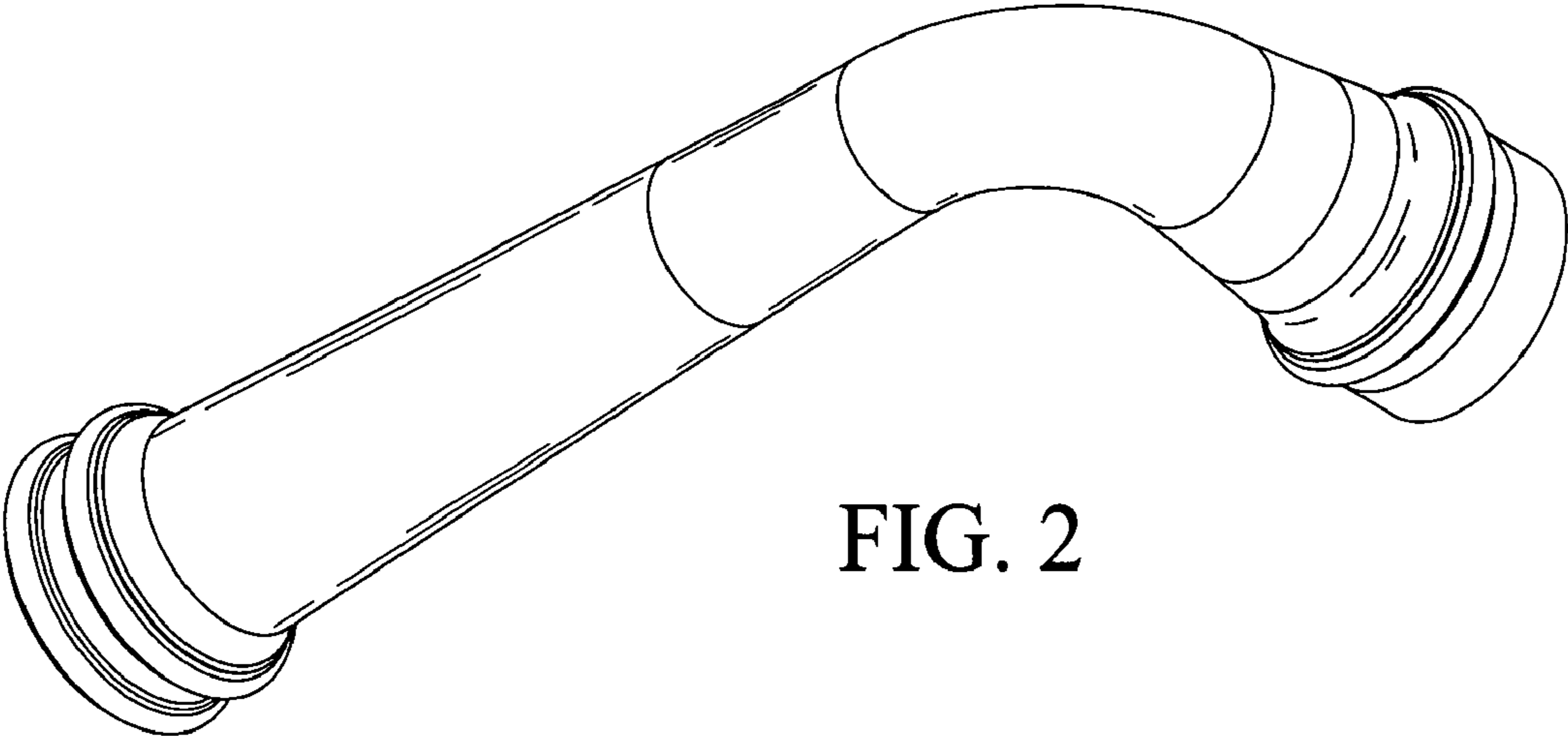


FIG. 2

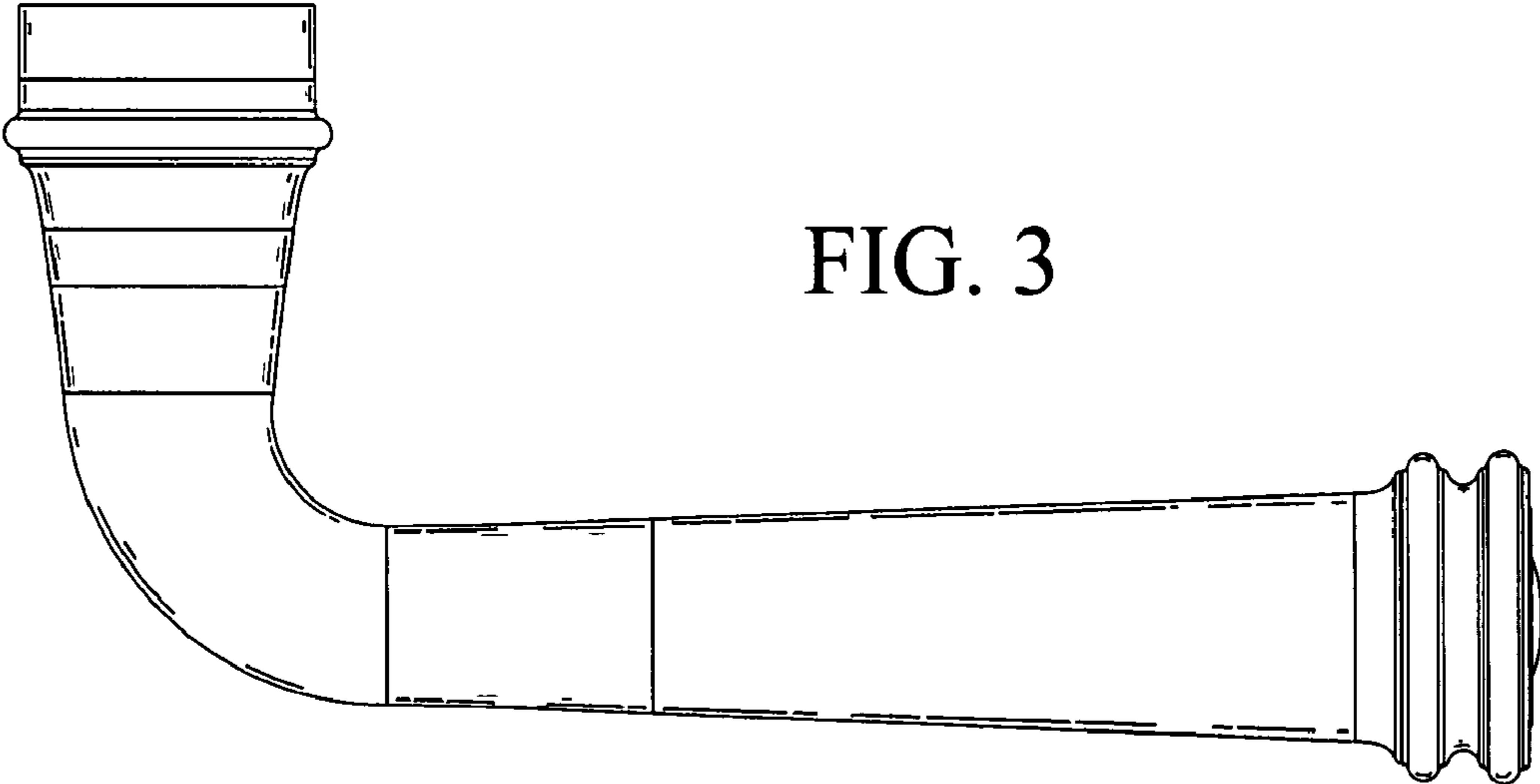


FIG. 3

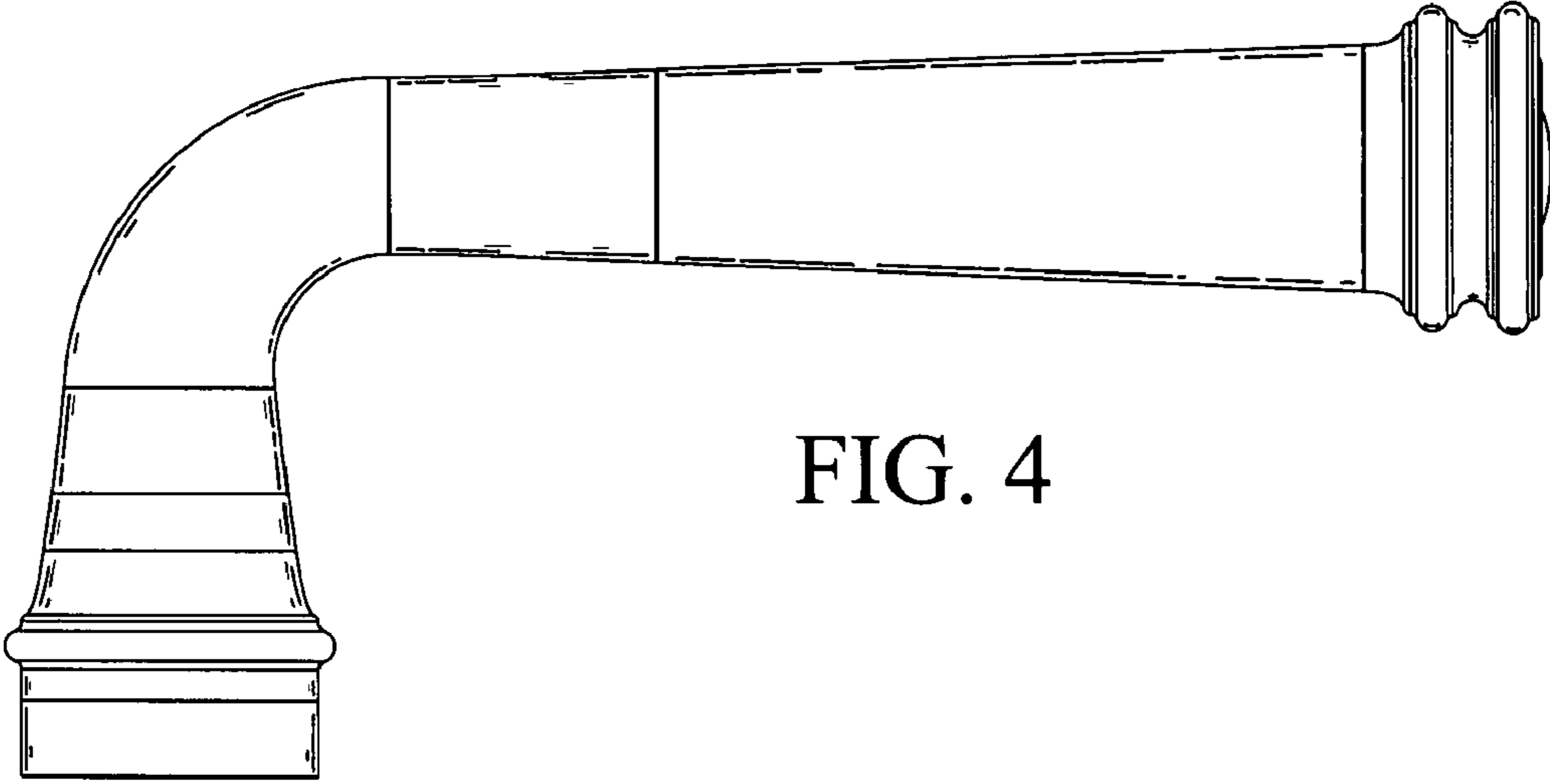


FIG. 4

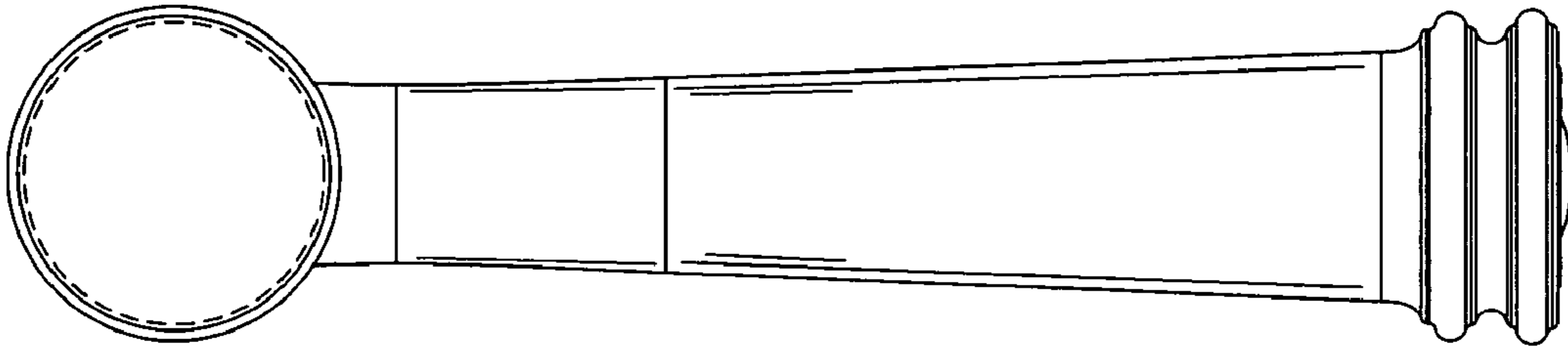


FIG. 5

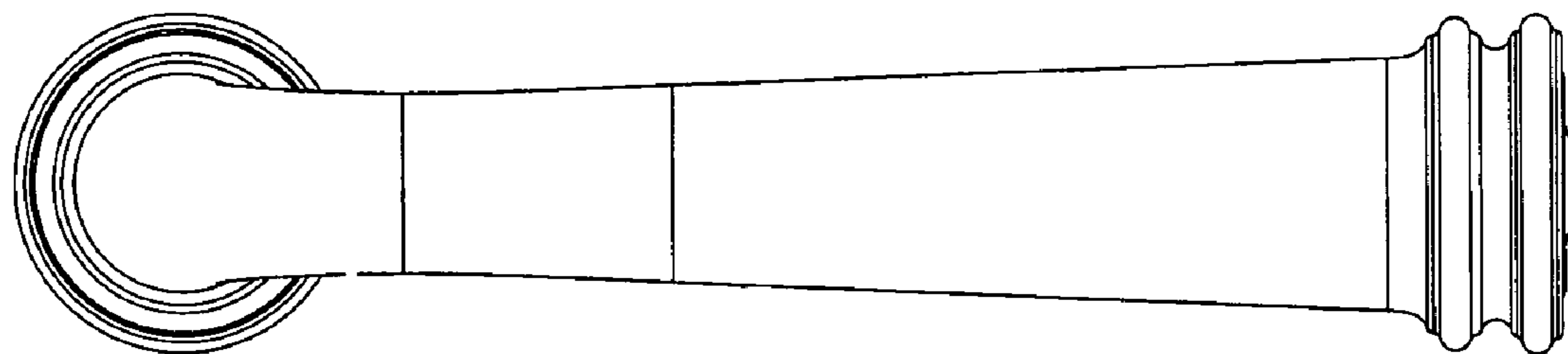


FIG. 6

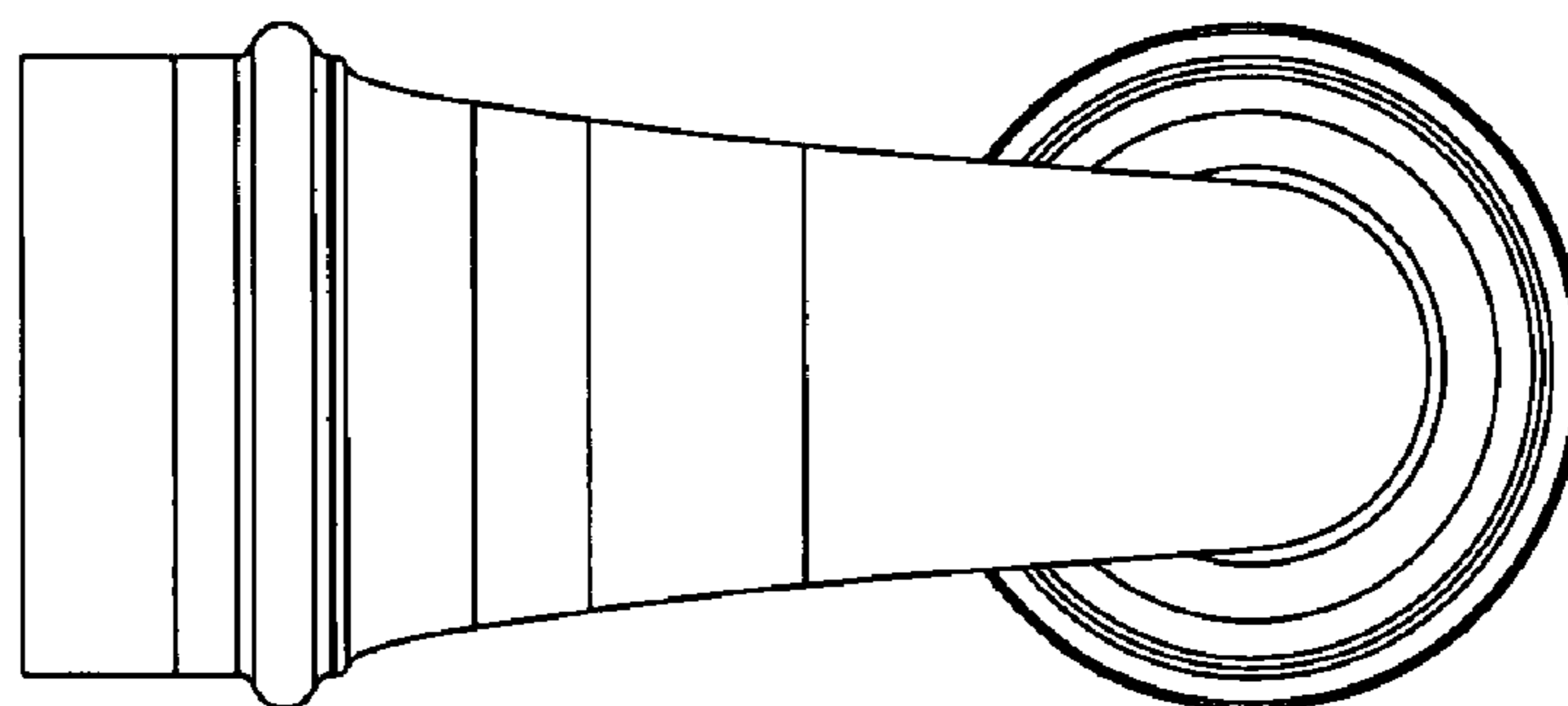


FIG. 7

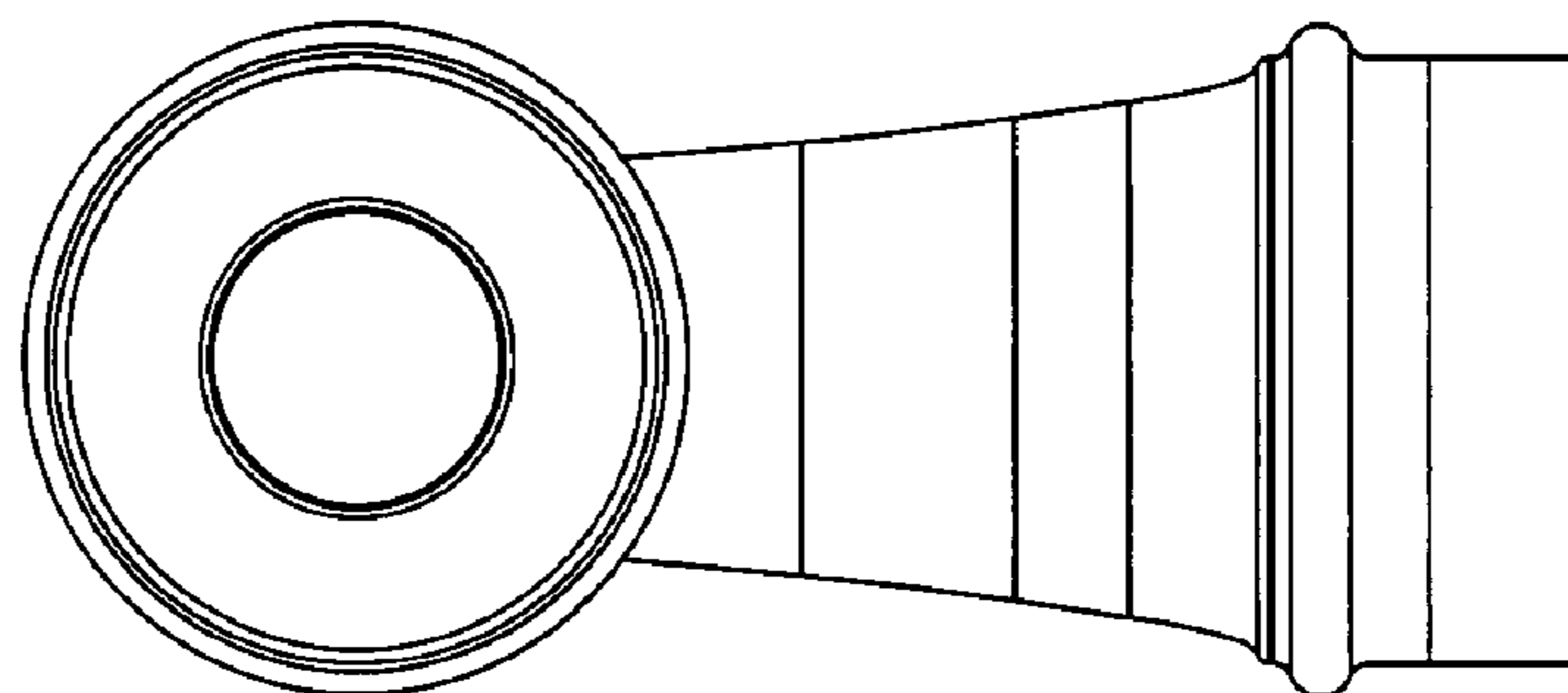


FIG. 8