



US00D579747S

(12) **United States Design Patent**
Krumpe

(10) **Patent No.:** **US D579,747 S**

(45) **Date of Patent:** **** Nov. 4, 2008**

(54) **KNOB**

(75) Inventor: **Geraint Krumpe**, Chicago, IL (US)

(73) Assignee: **Liberty Hardware Mfg. Corp.**,
Winston-Salem, NC (US)

(**) Term: **14 Years**

(21) Appl. No.: **29/291,728**

(22) Filed: **Sep. 12, 2007**

(51) **LOC (8) Cl.** **08-06**

(52) **U.S. Cl.** **D8/307; D8/305**

(58) **Field of Classification Search** D8/300,
D8/305, 307, 310, 318, DIG. 1, DIG. 2; 292/114,
292/336.3; D7/353, 393, 395, 396; 16/110.1,
16/412, 414, 433, 441; D26/148, 156; D6/524,
D6/578, 545, 580; D11/11, 13, 63, 67-69,
D11/184; D21/365, 480; D23/250; 4/675,
4/678; 74/543, 548; 239/553.5; 273/260

See application file for complete search history.

(56) **References Cited**

U.S. PATENT DOCUMENTS

D75,920 S * 7/1928 Larsen D26/148

D186,464 S *	10/1959	Louis	D8/305
D246,091 S *	10/1977	James	D8/310
D361,494 S *	8/1995	Chieda	D8/310
D470,740 S *	2/2003	Fields	D8/310
D470,741 S *	2/2003	Fields	D8/310
D471,073 S *	3/2003	Fields	D8/310
D541,130 S *	4/2007	Fields	D8/310
D574,212 S *	8/2008	Jou	D8/305

* cited by examiner

Primary Examiner—Paula Greene

(74) *Attorney, Agent, or Firm*—Edgar A. Zarins; Lloyd D. Doigan

(57) **CLAIM**

The ornamental design for a knob, as shown and described.

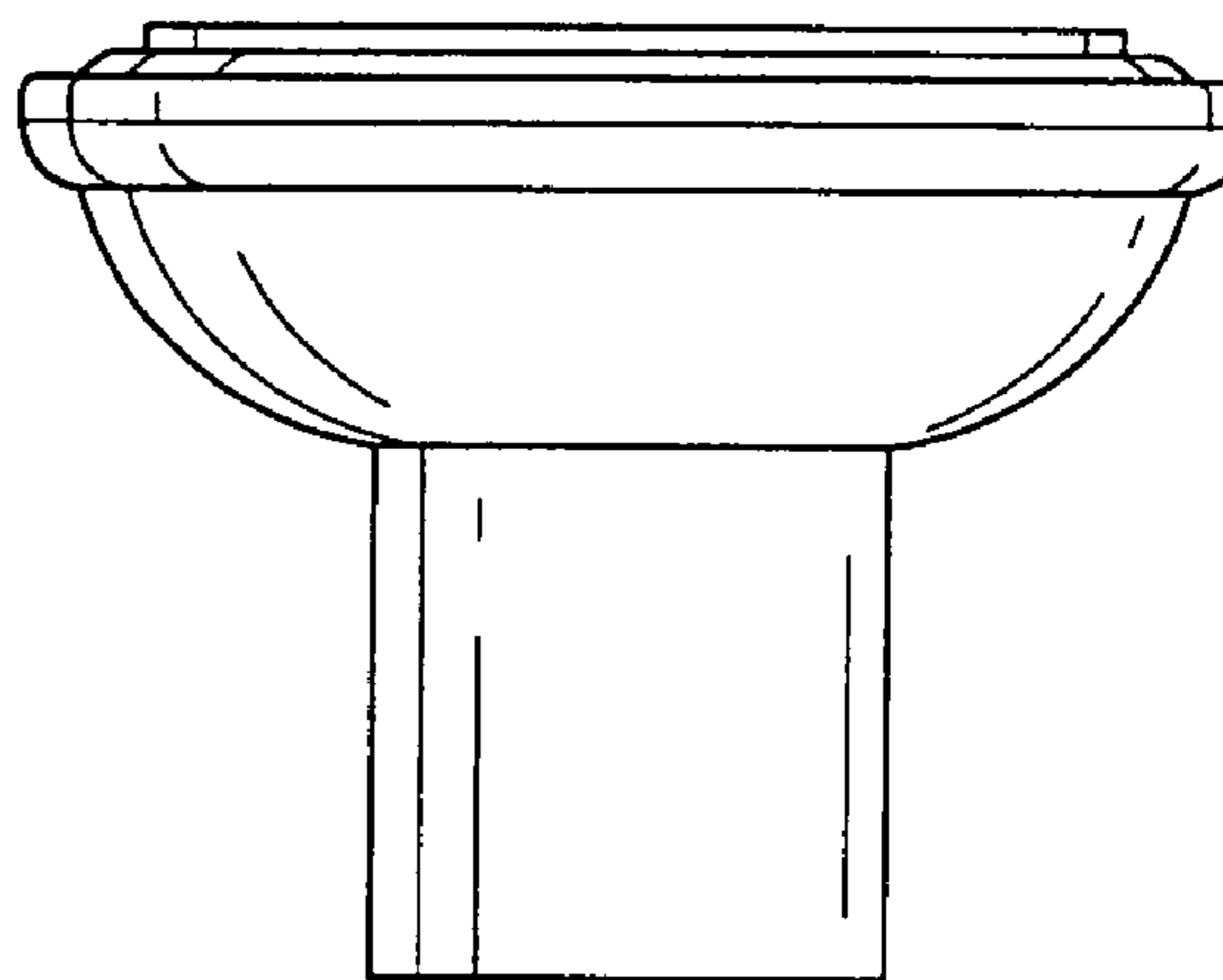
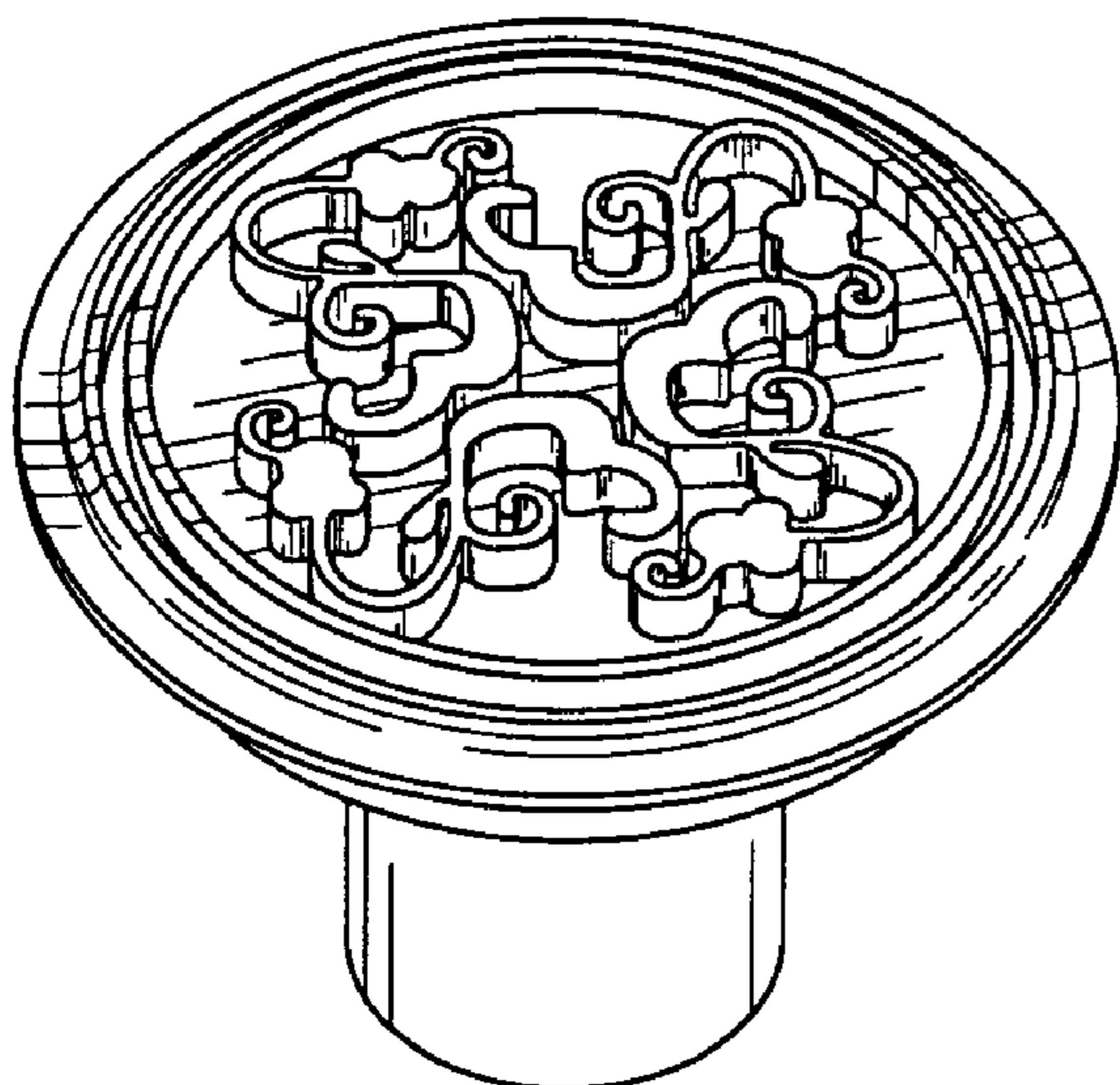
DESCRIPTION

FIG. 1 is a perspective view of a knob showing my new design;

FIG. 2 is a front elevational view thereof, the undisclosed bottom is not part of the claimed design; and,

FIG. 3 is a side view thereof.

1 Claim, 1 Drawing Sheet



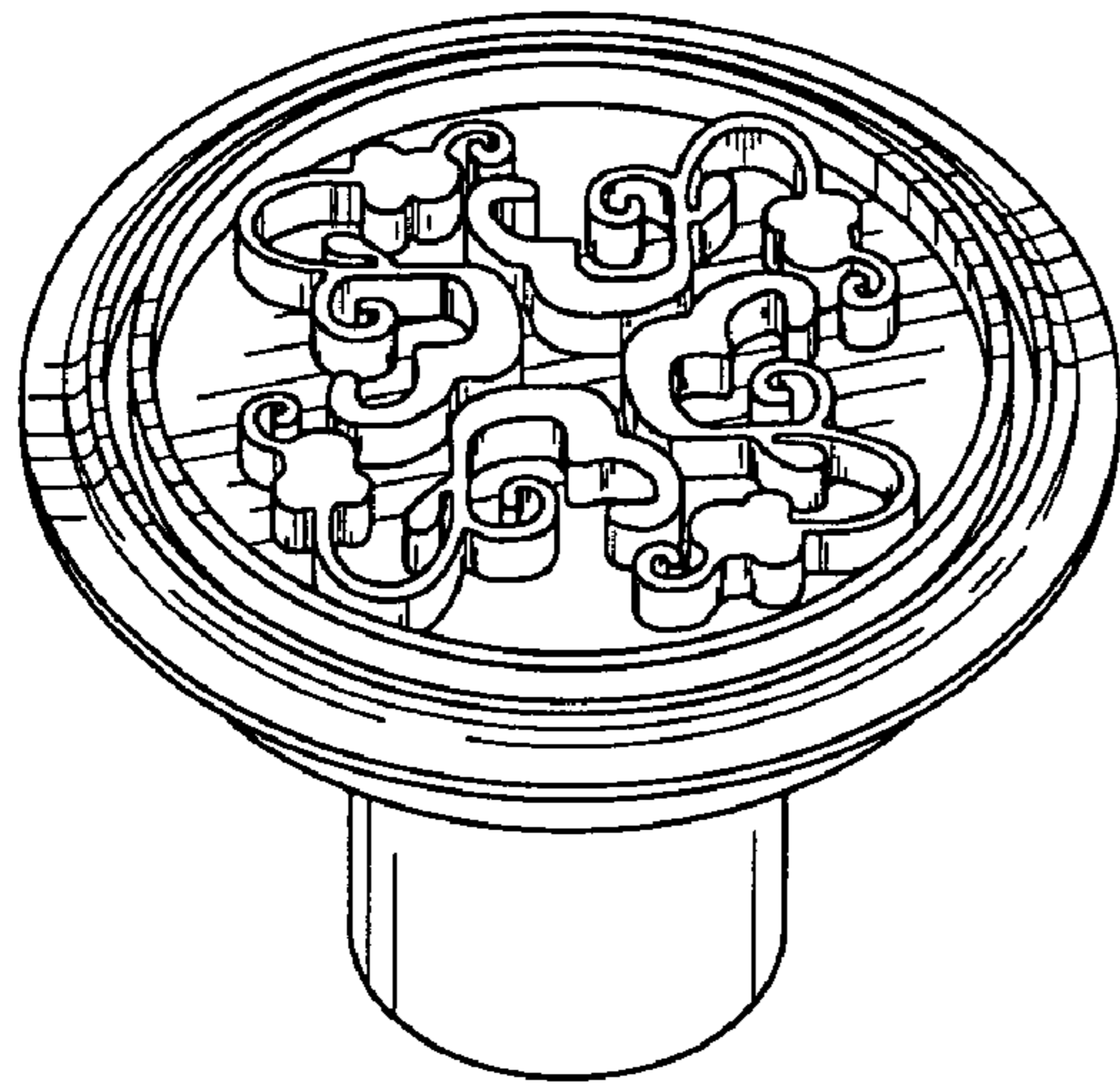


Fig-1



Fig-2

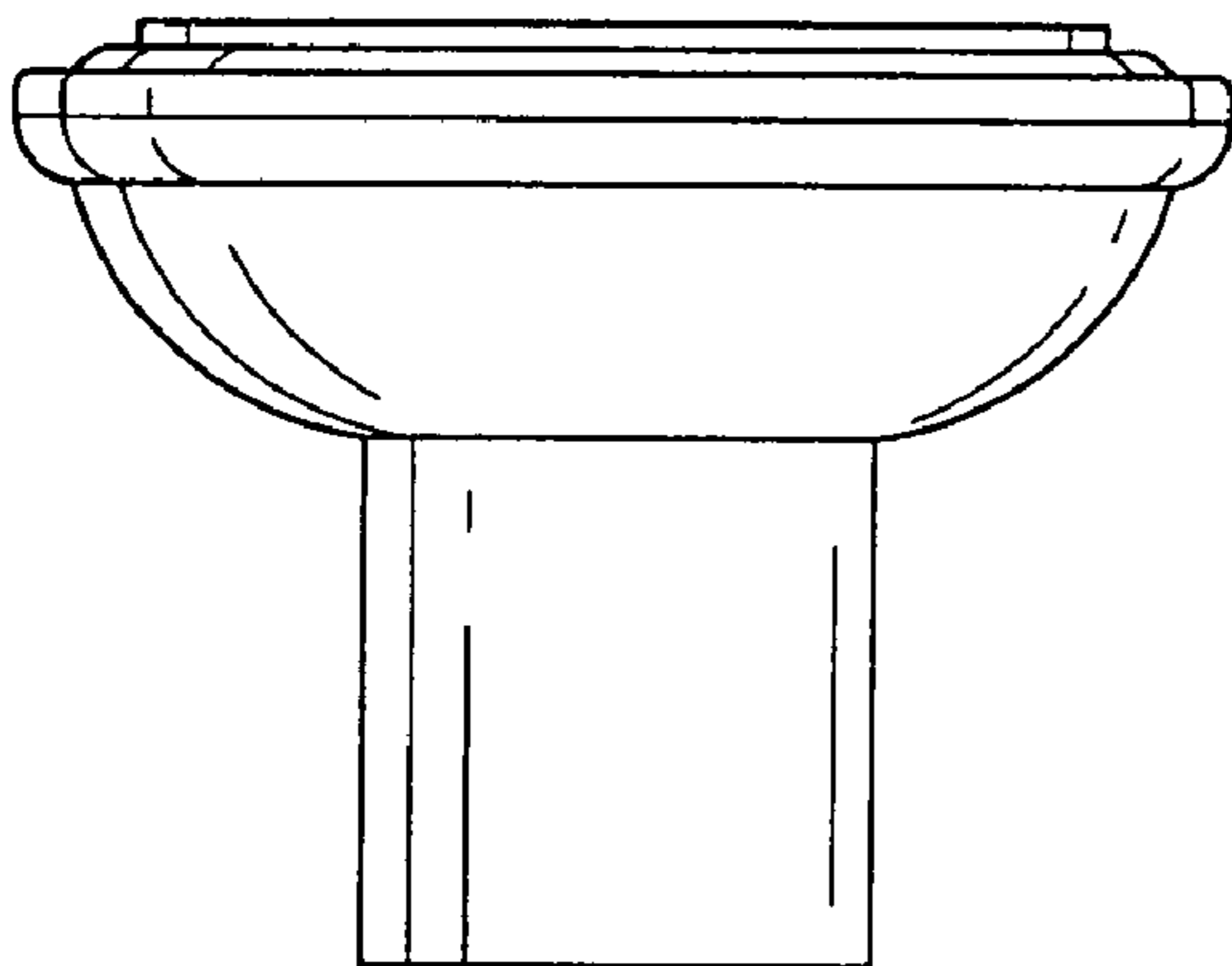


Fig-3