



US00D579744S

(12) **United States Design Patent**
Neiser

(10) **Patent No.:** **US D579,744 S**

(45) **Date of Patent:** **** Nov. 4, 2008**

(54) **SHRINK WRAP OPENER**

(76) **Inventor:** **Gabe Neiser**, 2106 Nicole Dr., Port
Jefferson Station, NY (US) 11776

(**) **Term:** **14 Years**

(21) **Appl. No.:** **29/289,108**

(22) **Filed:** **Jul. 6, 2007**

(51) **LOC (8) Cl.** **08-03**

(52) **U.S. Cl.** **D8/98**

(58) **Field of Classification Search** D8/14,
D8/98, 99, 107; 30/280, 289, 314, 317, 294
See application file for complete search history.

(56) **References Cited**

U.S. PATENT DOCUMENTS

3,673,687	A *	7/1972	Phillips et al.	30/294
4,134,206	A *	1/1979	Beermann	30/294
D320,150	S *	9/1991	Huang	D8/98
D323,967	S *	2/1992	Talbot	D8/98
D352,440	S *	11/1994	Perigny	D8/98
5,737,842	A *	4/1998	Freedman	30/280
5,768,787	A *	6/1998	Ireland	30/294
D401,492	S *	11/1998	Joseph, Jr.	D8/98

D481,609	S *	11/2003	Perlmutter et al.	D8/99
6,691,416	B2 *	2/2004	Yu Chen	30/294
2006/0016306	A1 *	1/2006	Conde	83/13

* cited by examiner

Primary Examiner—Philip S Hyder

(74) *Attorney, Agent, or Firm*—Keusey, Tutunjian & Bitetto,
P.C.

(57) **CLAIM**

The ornamental design for a shrink wrap opener, as shown
and described.

DESCRIPTION

FIG. 1 is a perspective view of the shrink wrap opener show-
ing our new design;

FIG. 2 is a left side view thereof;

FIG. 3 is a right side view thereof;

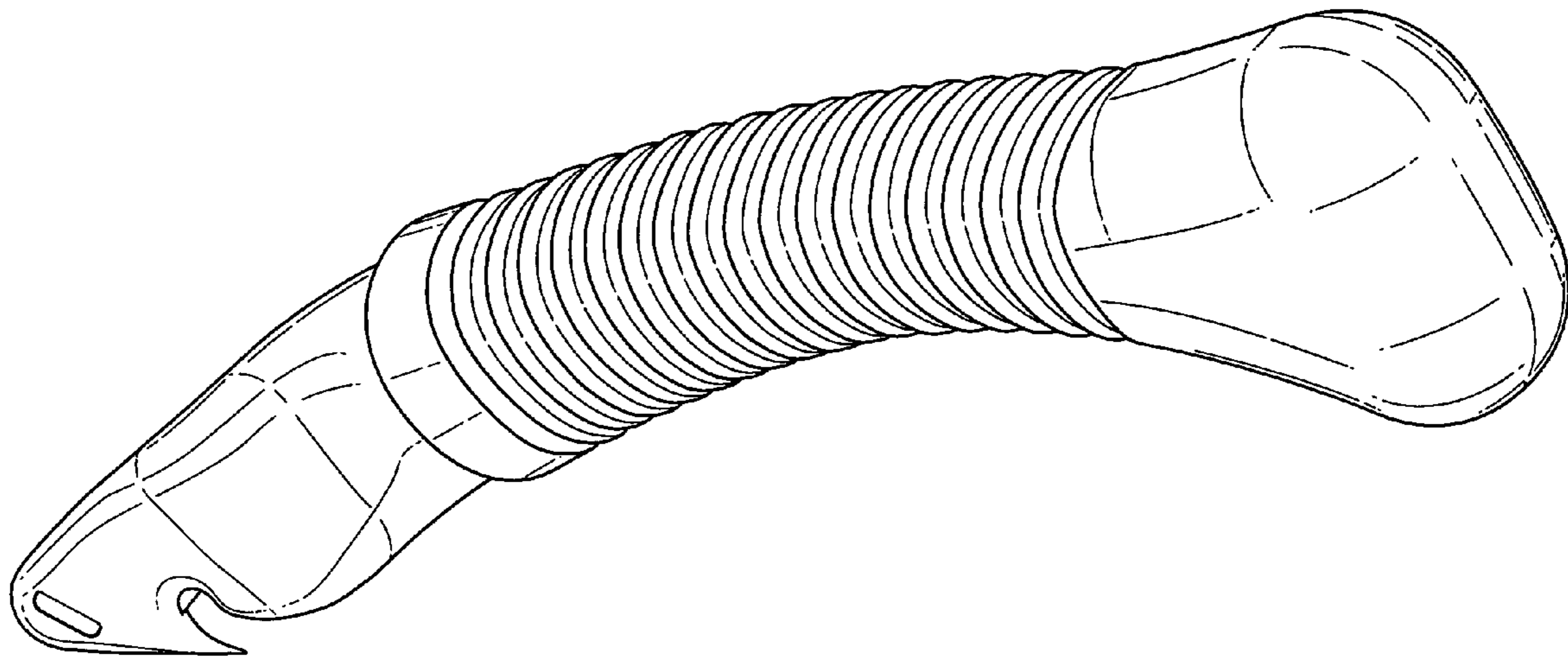
FIG. 4 is front view thereof,

FIG. 5 is a rear view thereof.

FIG. 6 is a top view thereof; and,

FIG. 7 is a bottom view thereof.

1 Claim, 5 Drawing Sheets



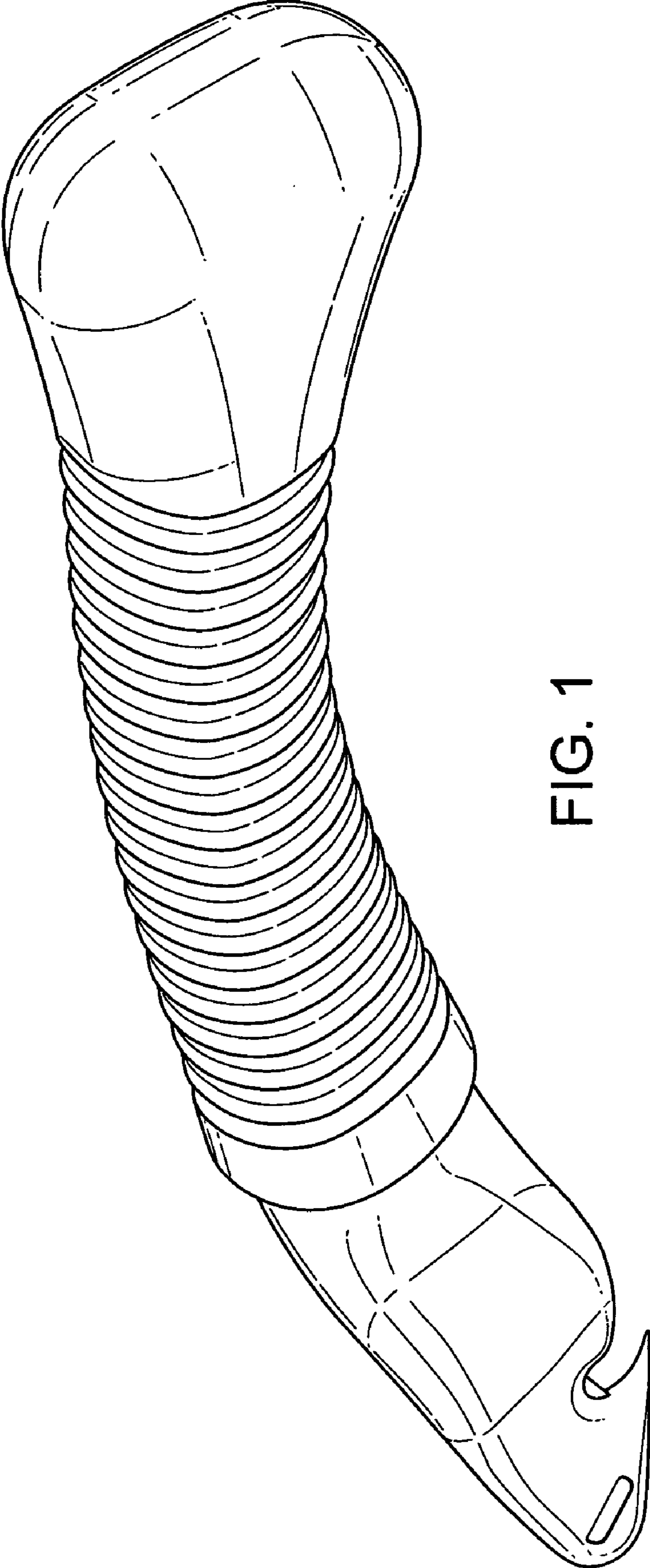


FIG. 1

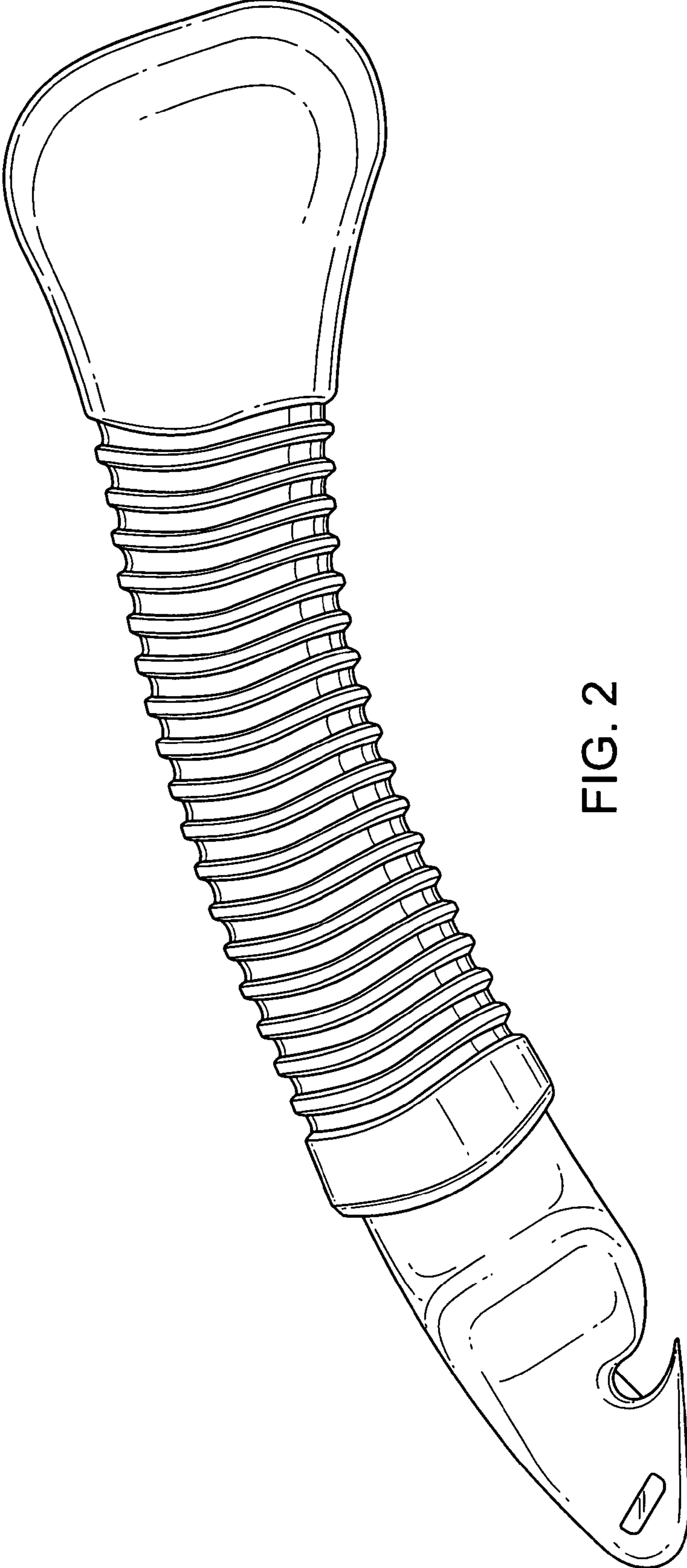


FIG. 2

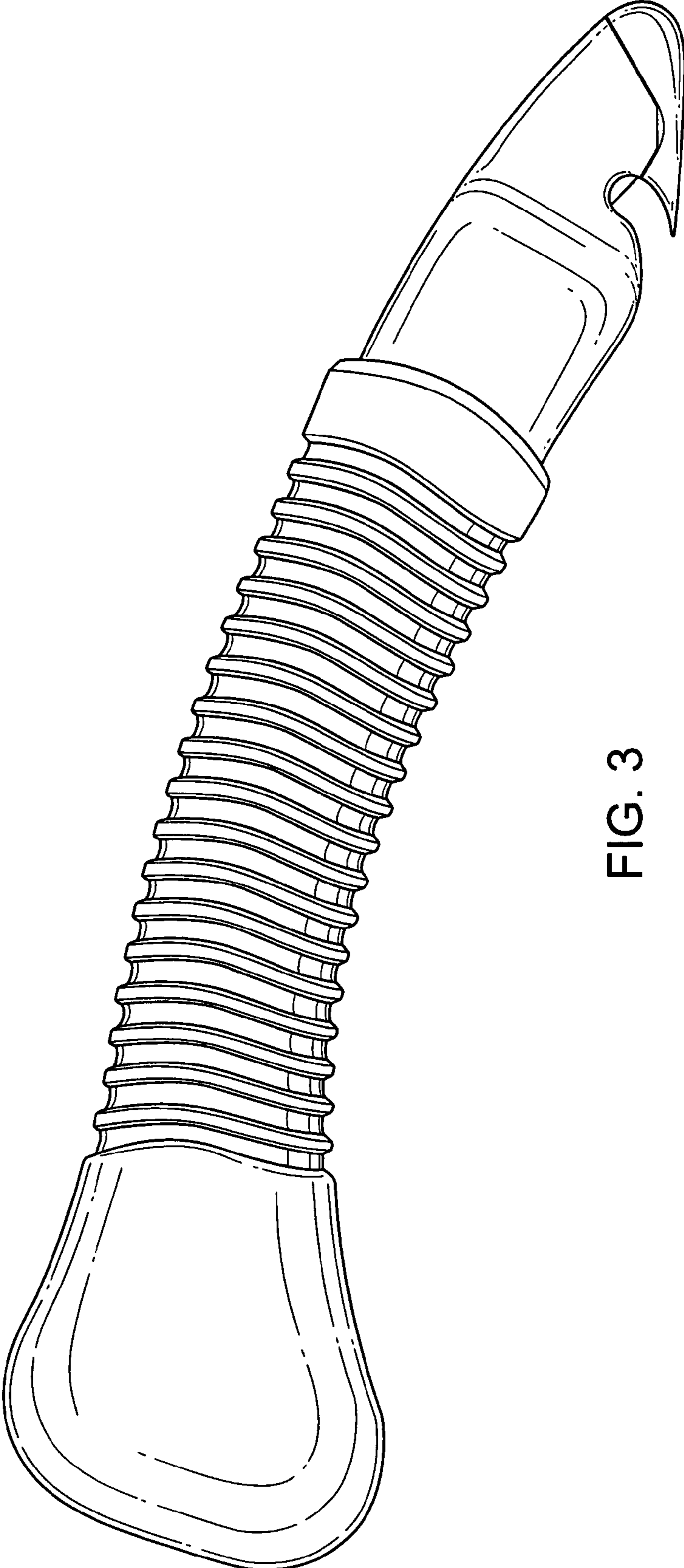


FIG. 3

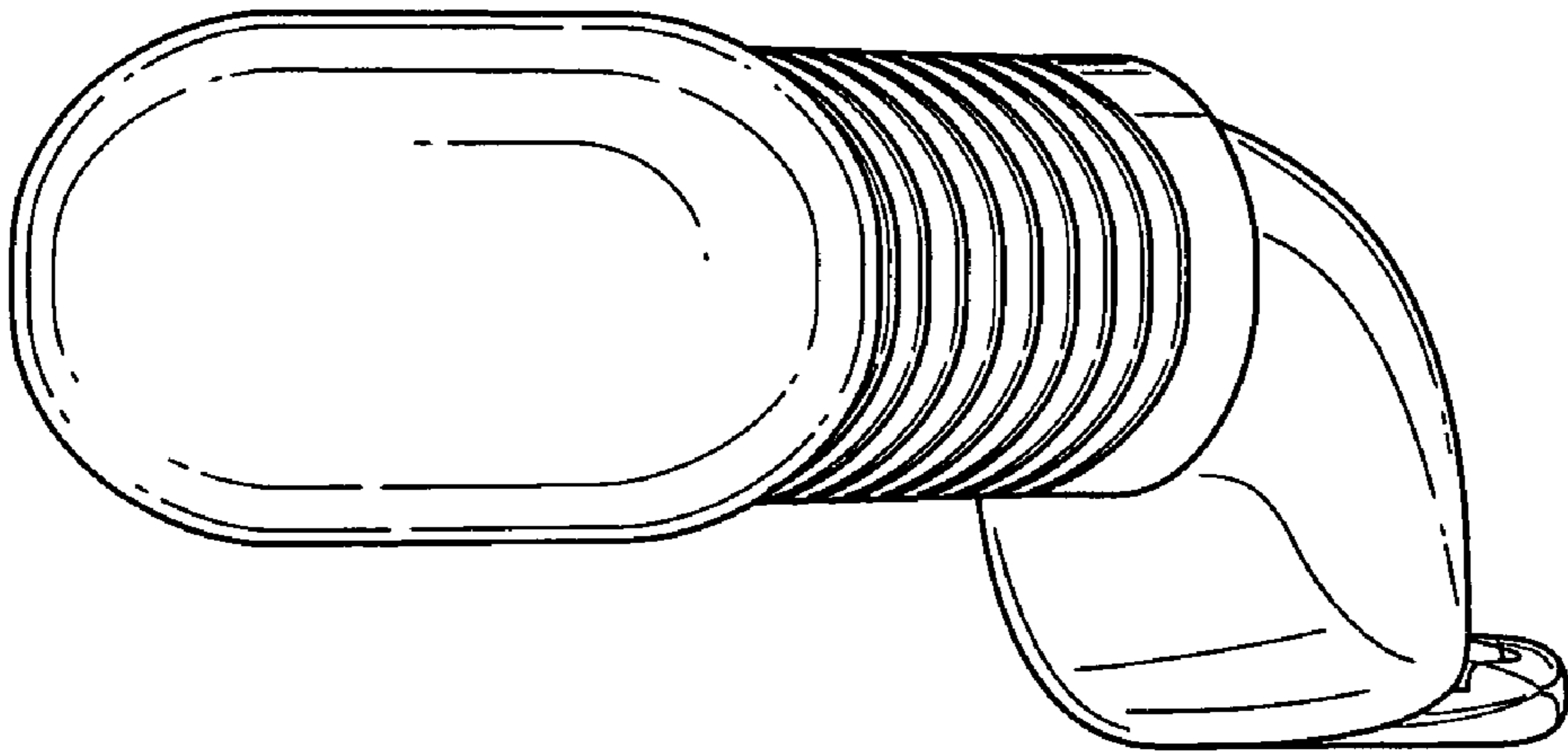


FIG. 5

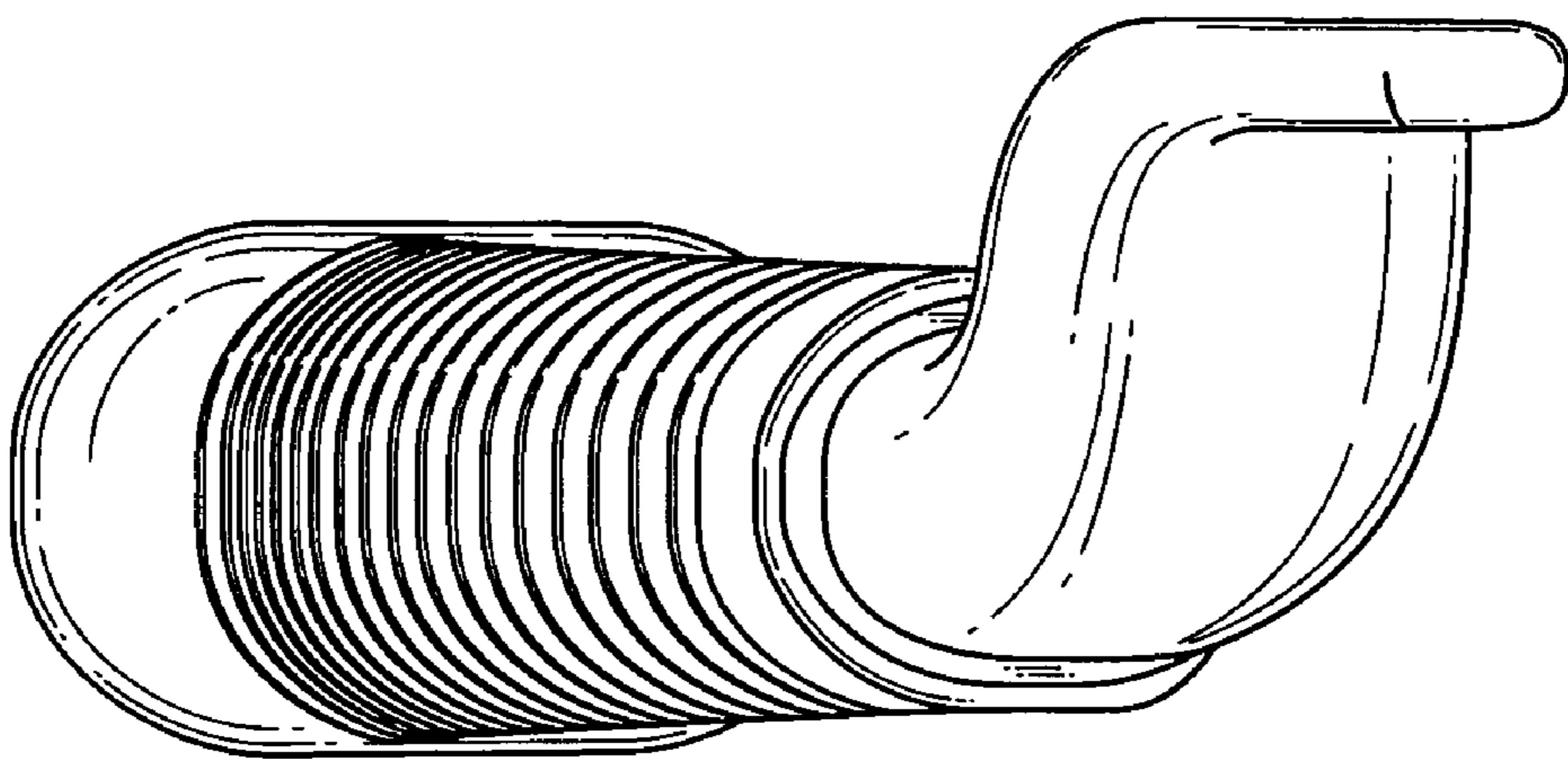


FIG. 4

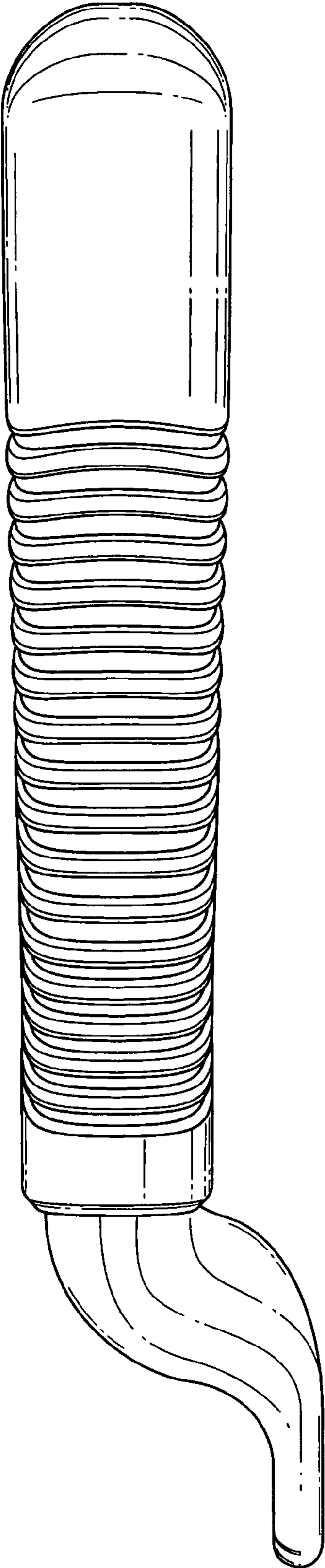


FIG. 6

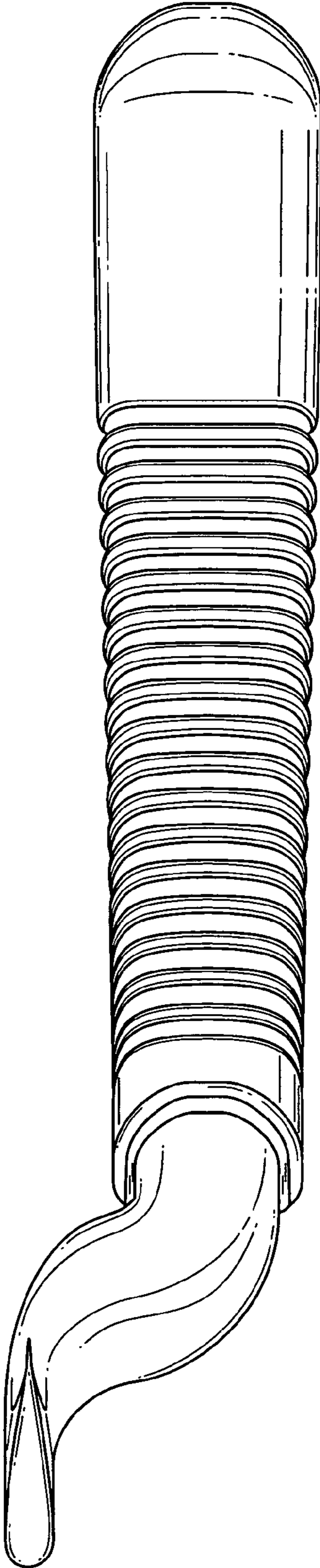


FIG. 7