



US00D579743S

(12) **United States Design Patent**
Lopano

(10) **Patent No.:** **US D579,743 S**
(45) **Date of Patent:** **** Nov. 4, 2008**

(54) **IMPACT DRIVER**
(75) Inventor: **Daniel N. Lopano**, Bel Air, MD (US)
(73) Assignee: **Black & Decker Inc.**, Newark, DE (US)
(**) Term: **14 Years**
(21) Appl. No.: **29/278,058**
(22) Filed: **Mar. 19, 2007**

D340,394 S 10/1993 Okumura
D340,396 S 10/1993 Ichikawa
D342,430 S 12/1993 Saito et al.
D345,090 S 3/1994 Okumura
D345,682 S 4/1994 Sasaki et al.
D362,167 S 9/1995 Zurwelle
D368,214 S 3/1996 Zurwelle
D376,969 S 12/1996 Kazamaki et al.
D378,268 S 3/1997 Schultz
D392,863 S 3/1998 Sugimoto et al.

(Continued)

(51) **LOC (8) Cl.** **08-05**
(52) **U.S. Cl.** **D8/68**
(58) **Field of Classification Search** D8/14.1,
D8/61, 62, 63, 64, 65, 66, 67, 68, 69, 70;
81/57.11, 429, 454-456, 469, 489; 173/13,
173/104, 114, 168-171, 178, 201, 211, 213,
173/217; 408/20, 124, 125, 234, 241 R;
451/358; 310/50; 227/8, 113, 114, 120,
227/130, 136, 142

See application file for complete search history.

(56) **References Cited**

U.S. PATENT DOCUMENTS

D156,319 S 12/1949 Bushnell
D159,044 S 6/1950 Bushnell
D261,222 S 10/1981 Bunyea
D295,714 S 5/1988 Sasaki et al.
D296,412 S 6/1988 Nelson et al.
D296,655 S 7/1988 Yonezawa et al.
D320,917 S 10/1991 Fushiya et al.
D329,580 S 9/1992 Sasaki et al.
D335,073 S 4/1993 Anthony et al.
D339,046 S 9/1993 Fushiya et al.

FOREIGN PATENT DOCUMENTS

GB 3003854 S * 5/2002

Primary Examiner—T. Chase Nelson

(74) *Attorney, Agent, or Firm*—Michael P. Leary; Adan Ayala

(57) **CLAIM**

The ornamental design for an impact driver, as shown and described.

DESCRIPTION

FIG. 1 is a right/front perspective view of an impact driver showing my new design.

FIG. 2 is a front view thereof.

FIG. 3 is a rear view thereof.

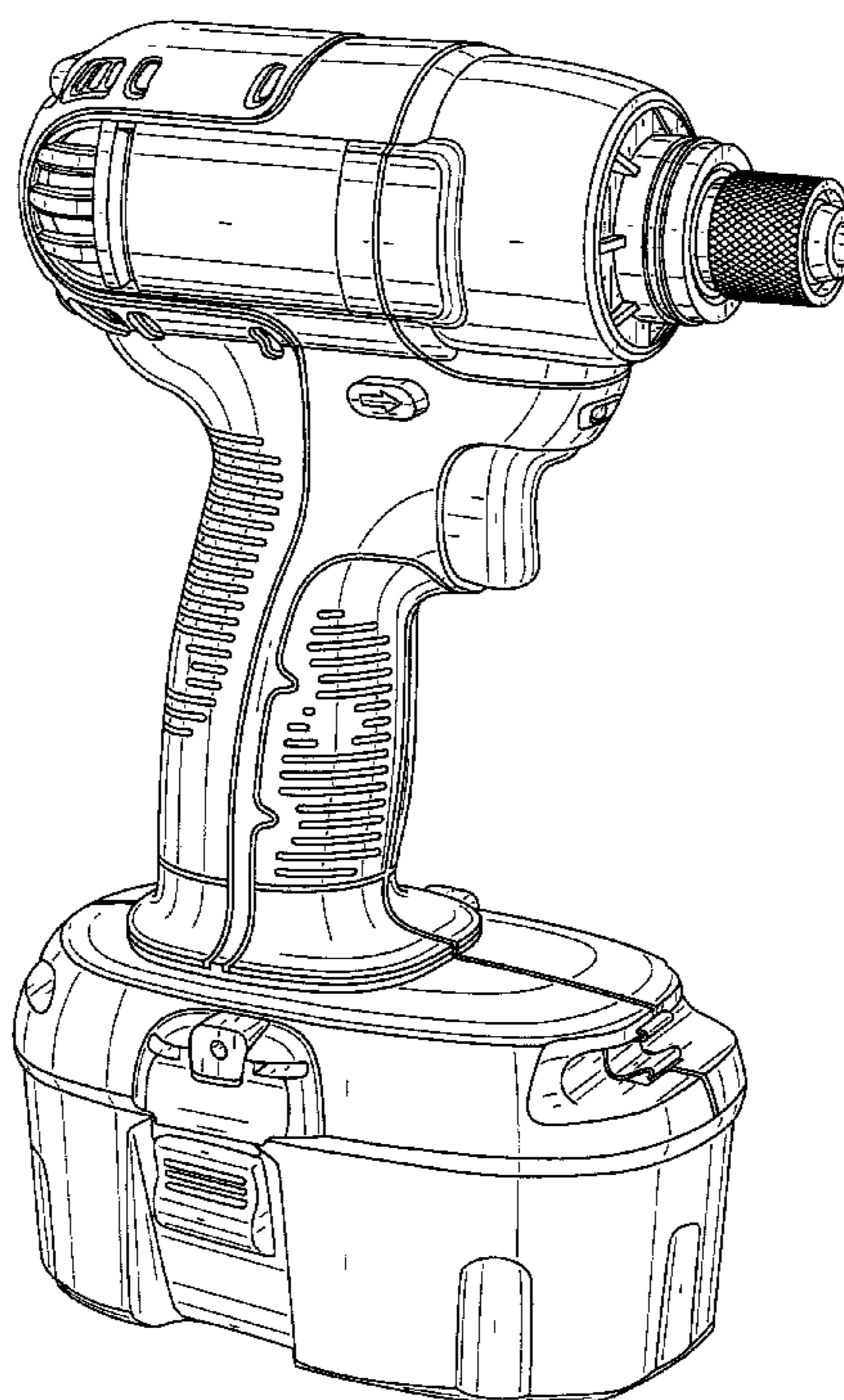
FIG. 4 is a right side view thereof.

FIG. 5 is a left side view thereof.

FIG. 6 is a top view thereof; and,

FIG. 7 is a bottom view thereof.

1 Claim, 7 Drawing Sheets



US D579,743 S

Page 2

U.S. PATENT DOCUMENTS

D400,416 S	11/1998	Zurwelle	D503,879 S	4/2005	Watson
D403,219 S	12/1998	Bosten et al.	6,905,052 B2 *	6/2005	Sakai et al. 173/217
D404,276 S	1/1999	Ghode et al.	D508,642 S *	8/2005	Kokawa et al. D8/68
D411,947 S	7/1999	Sugimoto et al.	D508,643 S	8/2005	Concari et al.
D419,413 S	1/2000	Heun	D512,891 S	12/2005	Aglassinger
D424,902 S	5/2000	Gildersleeve et al.	D513,690 S	1/2006	Etter et al.
D428,320 S	7/2000	Ohi et al.	D514,910 S *	2/2006	Nagasaka et al. D8/68
D431,766 S	10/2000	Zurwelle	D515,375 S	2/2006	Tsang et al.
D435,414 S	12/2000	Etter et al.	D519,808 S *	5/2006	Otsuka et al. D8/68
D437,761 S	2/2001	Okumura et al.	D520,834 S *	5/2006	Furuta et al. D8/68
6,431,289 B1	8/2002	Potter et al.	D525,099 S *	7/2006	Nagasaka et al. D8/68
D462,594 S	9/2002	Flickinger	7,090,032 B2 *	8/2006	Wada et al. 173/217
D466,777 S	12/2002	Watson	7,108,079 B2 *	9/2006	Sakai et al. 173/217
D467,147 S	12/2002	Watson	7,140,451 B2 *	11/2006	Yoshimizu et al. 173/171
D467,148 S	12/2002	Flickinger	D533,423 S	12/2006	Ino et al.
D467,780 S	12/2002	Koizumi	D534,048 S	12/2006	Tsai et al.
D477,205 S *	7/2003	Sakai et al. D8/68	D534,779 S	1/2007	Tsai et al.
D489,955 S	5/2004	Concari et al.	D535,862 S	1/2007	Duffek et al.
D493,344 S	7/2004	Watson	D536,944 S	2/2007	Tsai et al.
D494,435 S *	8/2004	Hayakawa et al. D8/68	2005/0155778 A1 *	7/2005	Ishida et al. 173/170
D497,786 S	11/2004	Concari	2006/0175069 A1 *	8/2006	Sakakibara et al. 173/217
D499,624 S	12/2004	Concari et al.	2007/0056760 A1 *	3/2007	Yoshimizu et al. 173/217

* cited by examiner

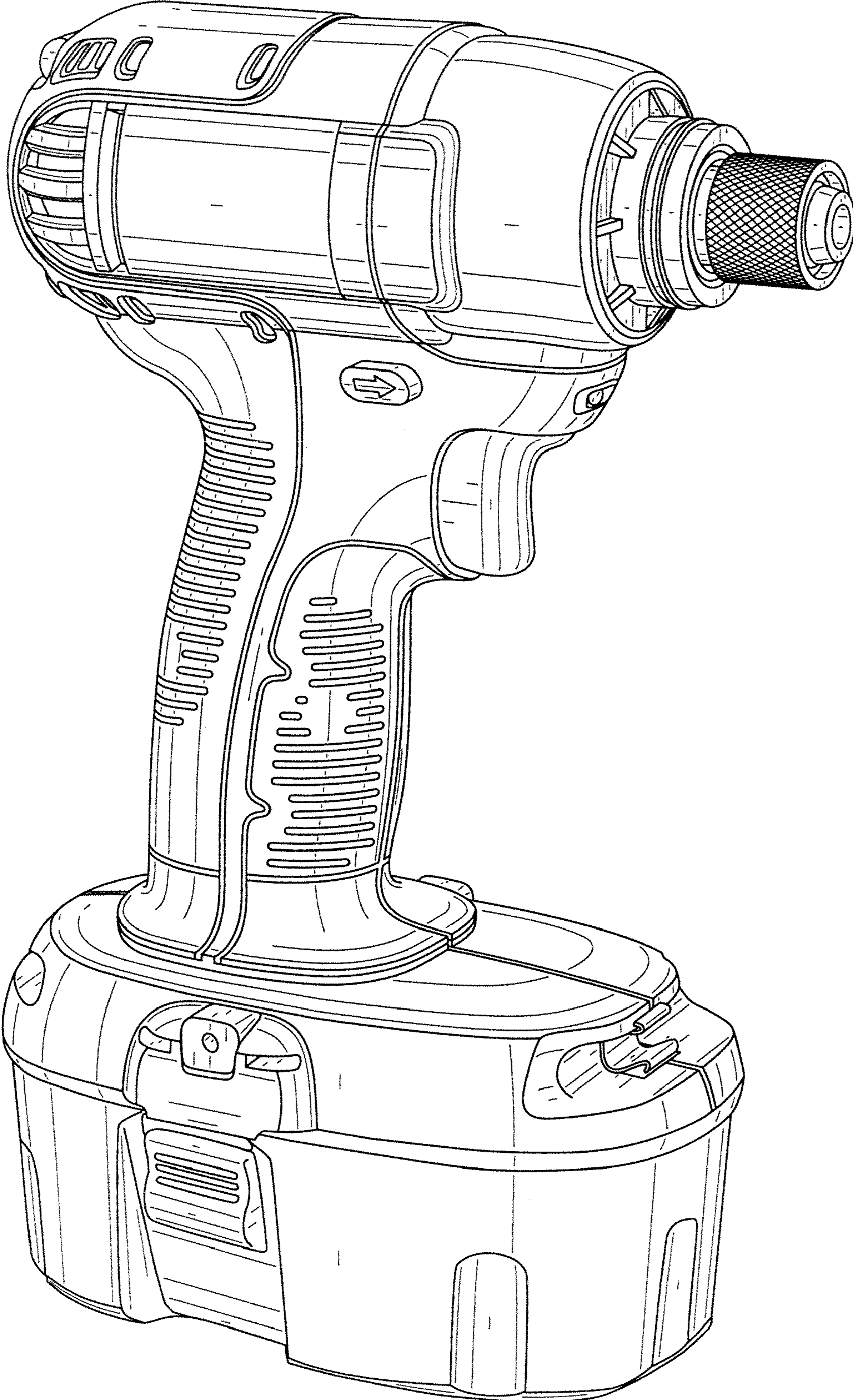


FIG. 1

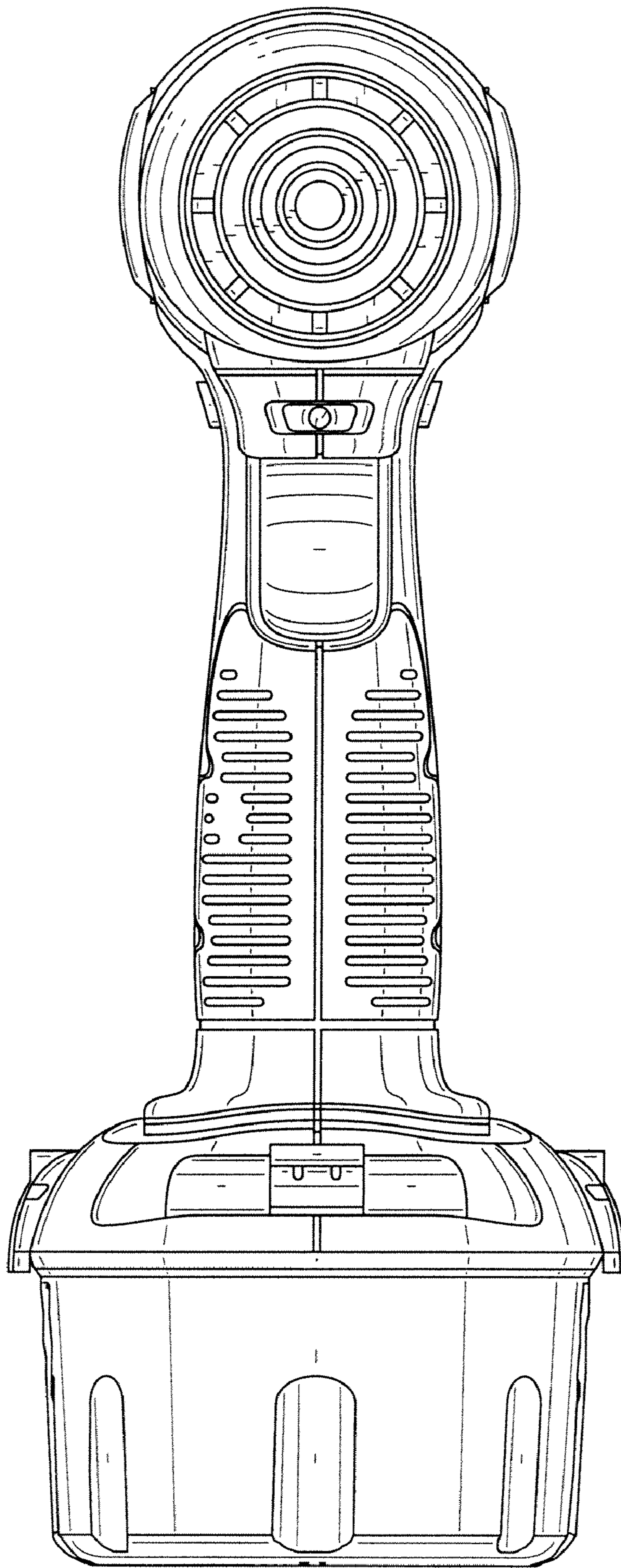


FIG. 2

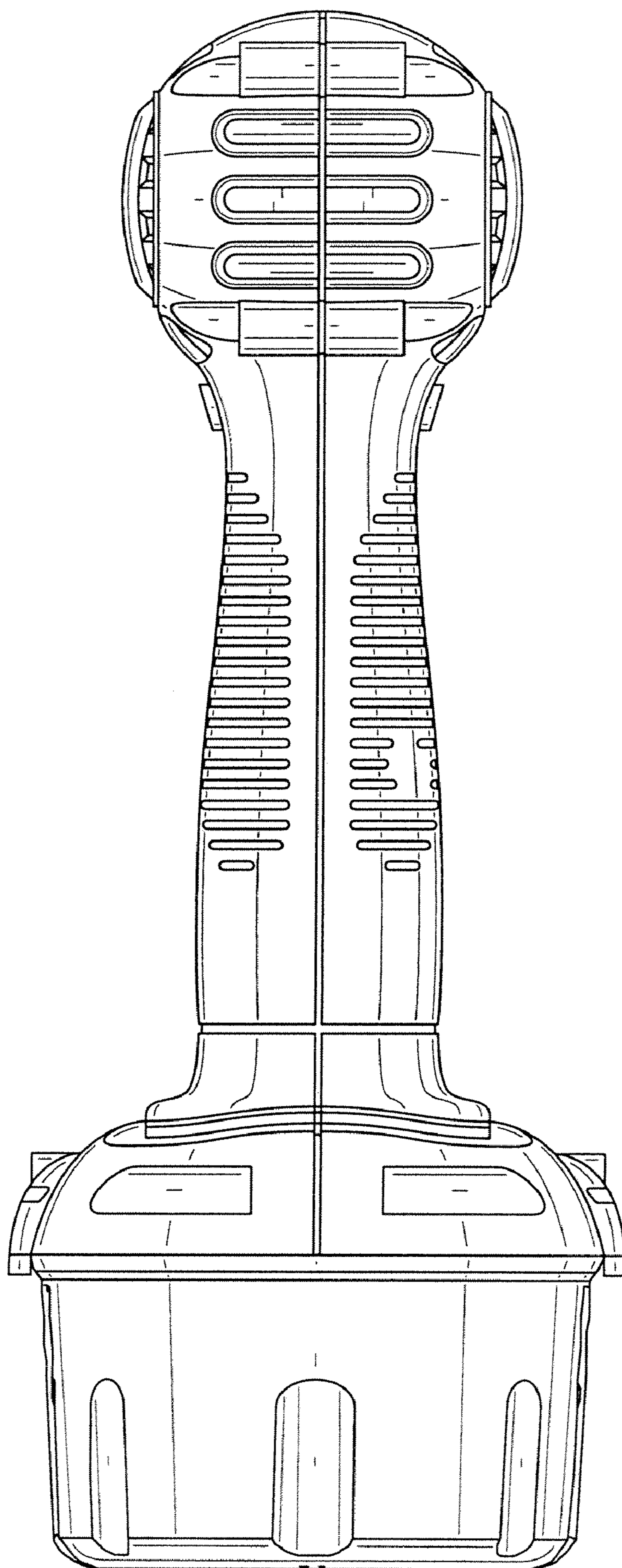


FIG. 3

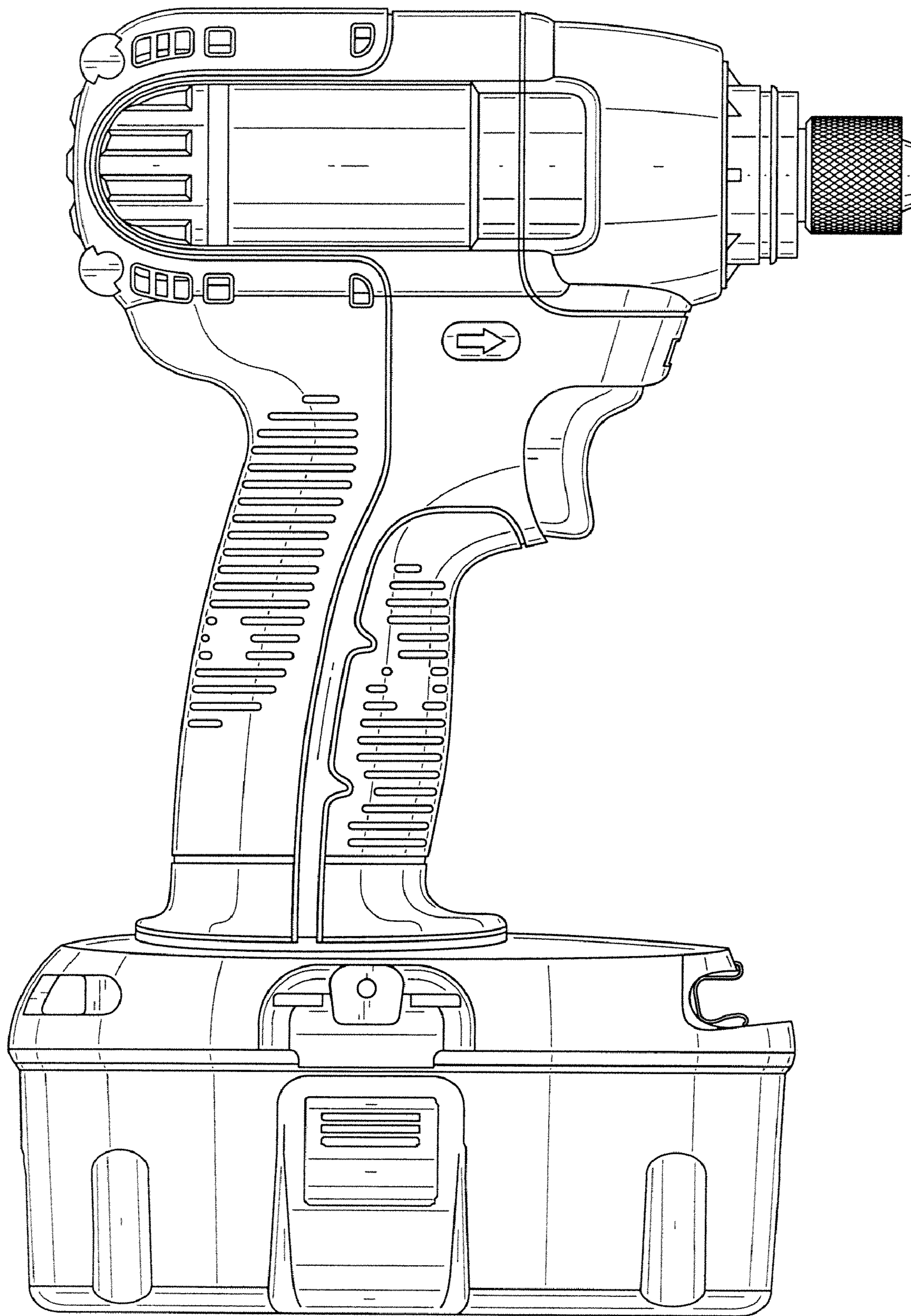


FIG. 4

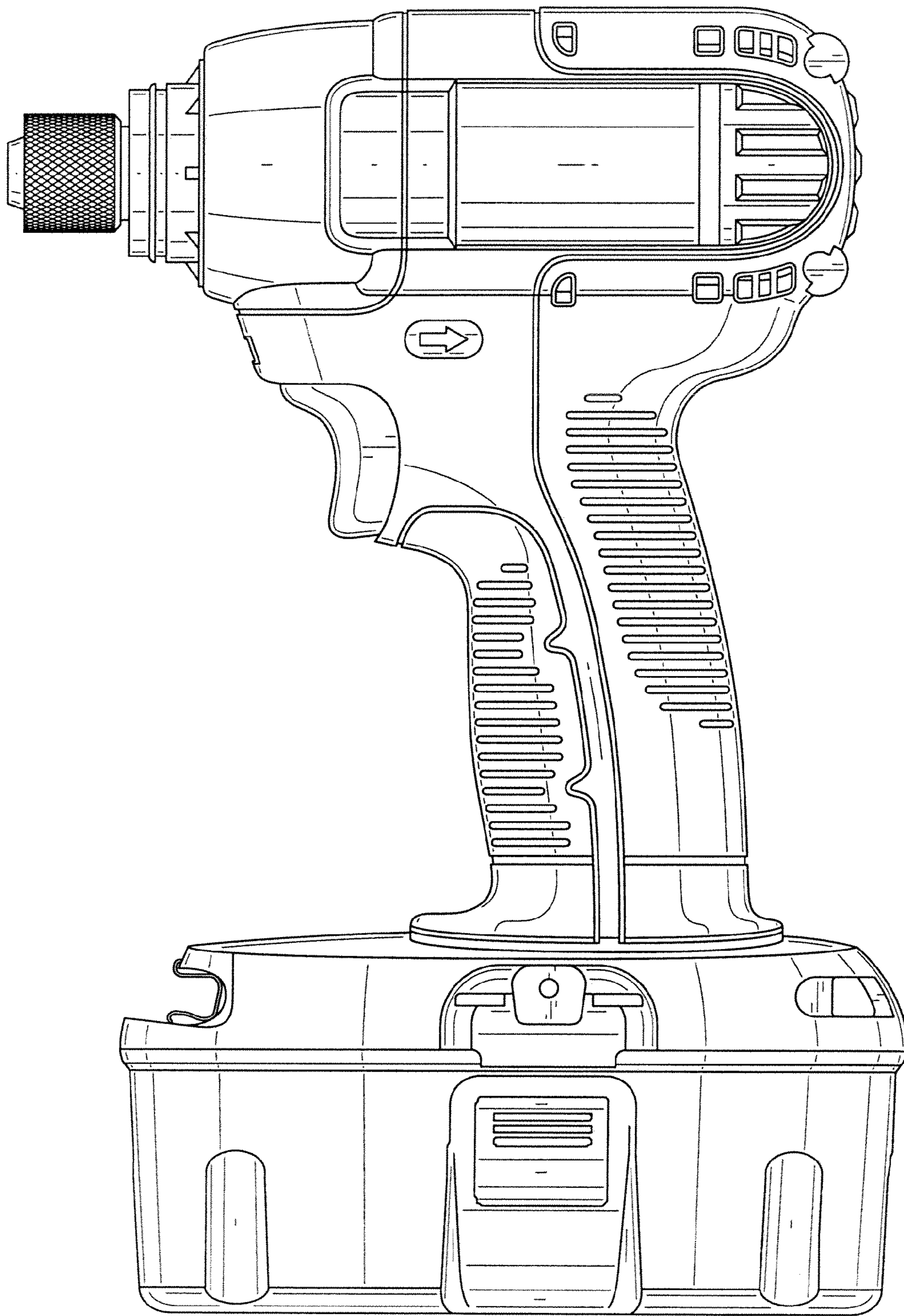


FIG. 5

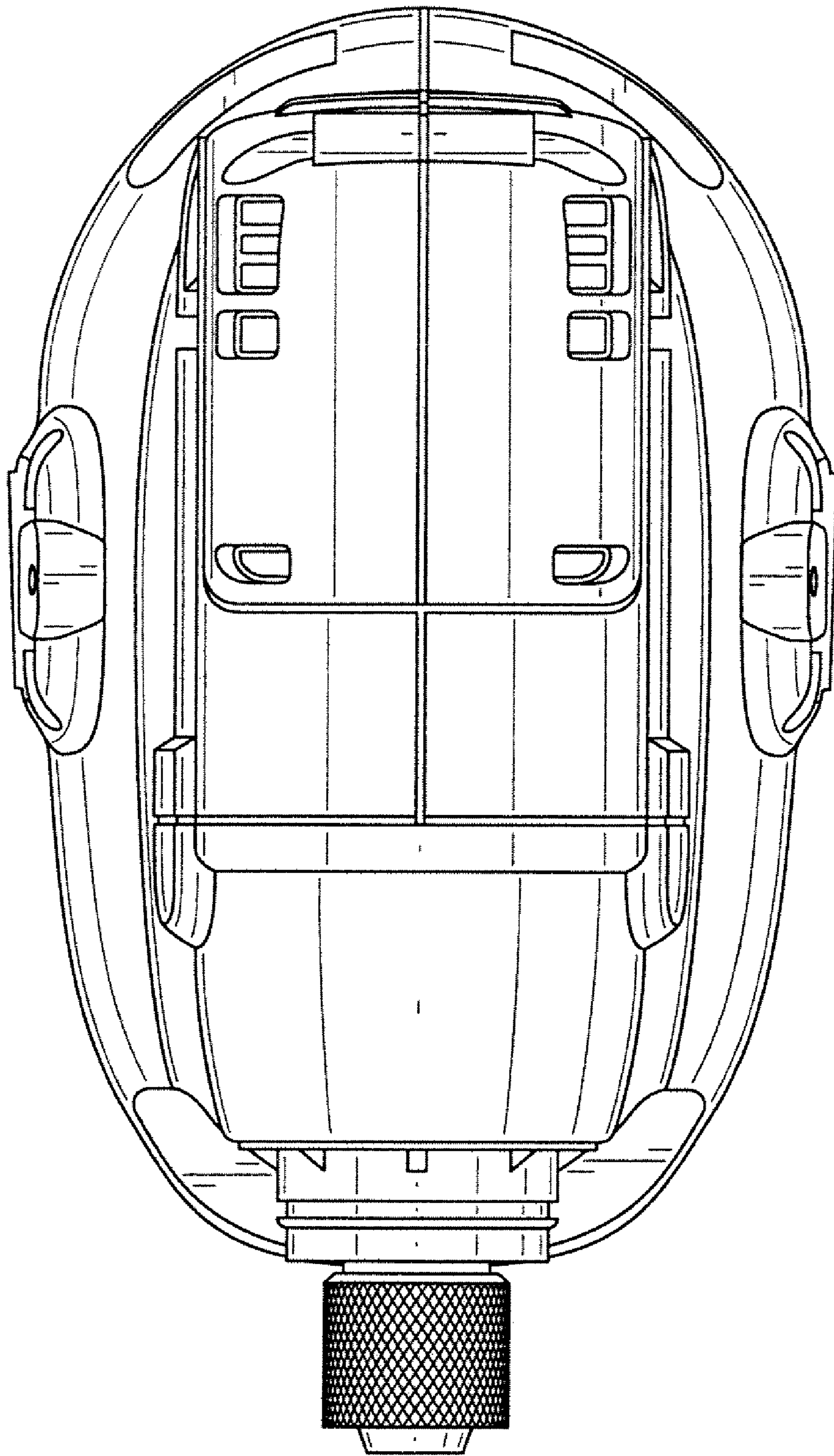


FIG. 6

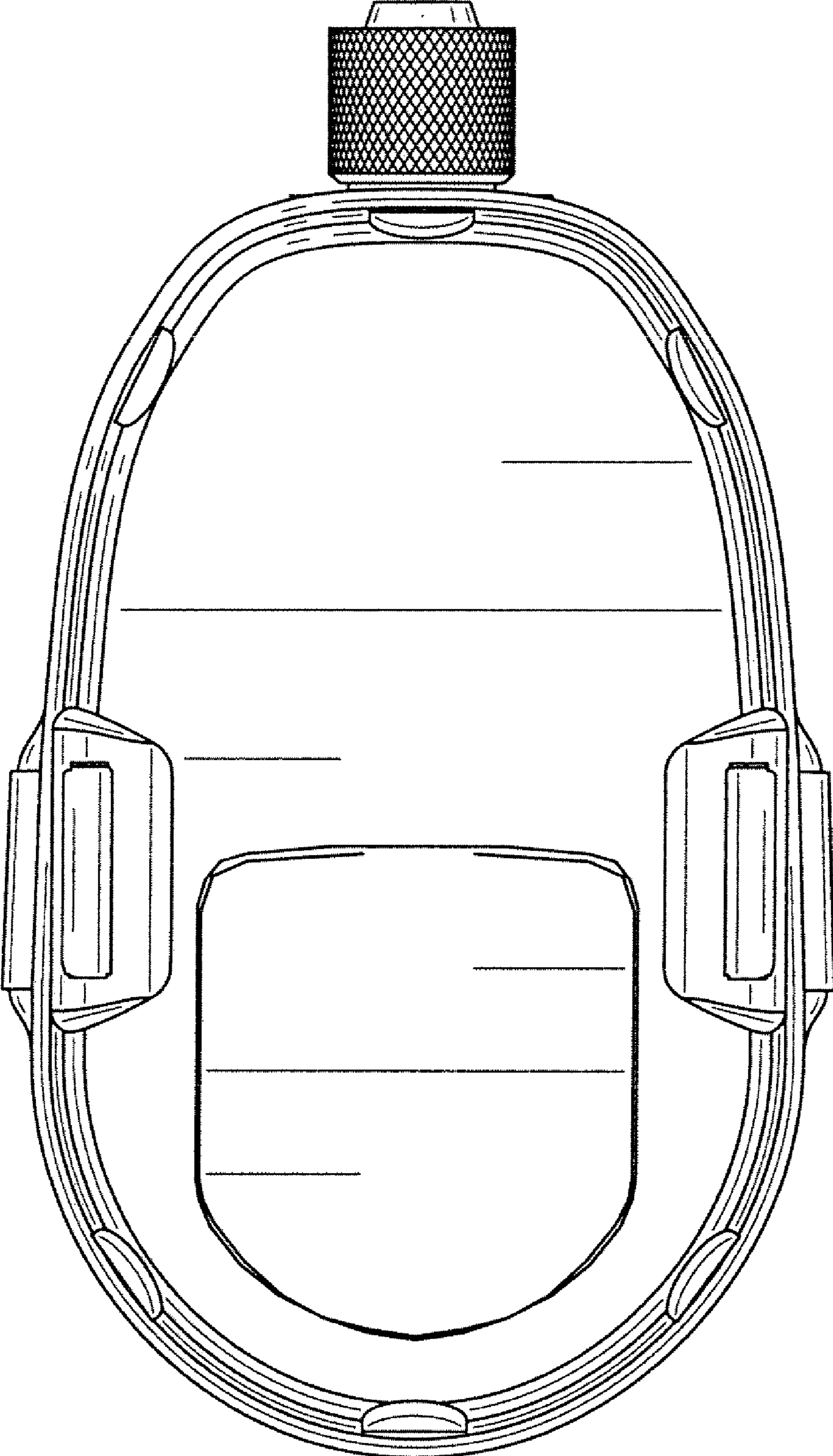


FIG. 7