



US00D579739S

(12) **United States Design Patent**  
**Barone**

(10) **Patent No.:** **US D579,739 S**

(45) **Date of Patent:** **\*\* Nov. 4, 2008**

(54) **BIN PULLING HOOK**

(76) **Inventor:** **Richard J Barone**, 65 Willhurst Dr.,  
Rochester, NY (US) 14606

(\*\*) **Term:** **14 Years**

(21) **Appl. No.:** **29/273,935**

(22) **Filed:** **Mar. 16, 2007**

(51) **LOC (8) Cl.** ..... **08-05**

(52) **U.S. Cl.** ..... **D8/14**

(58) **Field of Classification Search** ..... D8/14,  
D8/16, 17, 88, 89; 294/13.6, 9, 12, 19.1,  
294/19.3, 26, 50.6; D32/46; 7/166

See application file for complete search history.

(56) **References Cited**

**U.S. PATENT DOCUMENTS**

D271,372 S *	11/1983	Fortune	.....	D8/88
D277,640 S *	2/1985	Drexler	.....	D8/88
4,601,505 A	7/1986	Chilton		
4,788,893 A *	12/1988	Sutton	.....	81/15.9
4,801,166 A *	1/1989	Jordan et al.	.....	294/9
D311,981 S *	11/1990	Kabbaby et al.	.....	D32/46
D314,321 S *	2/1991	Johnston	.....	D8/89
5,171,052 A	12/1992	Cunningham		
5,251,944 A	10/1993	Truitt		

5,405,177 A *	4/1995	Goldstein	.....	294/19.1
D385,076 S	10/1997	Milbury		
D394,996 S *	6/1998	Fong	.....	D8/48
D416,772 S	11/1999	Milbury		
6,000,739 A *	12/1999	Zemit et al.	.....	294/9
D507,688 S	7/2005	Jean		

\* cited by examiner

*Primary Examiner*—Philip S Hyder

(57) **CLAIM**

The ornamental design for a bin pulling hook, as shown and described.

**DESCRIPTION**

This patent is related to U.S. pending application Ser. No. 29/269,001.

FIG. 1 is a perspective view of bin pulling hook.

FIG. 2 is a front view of bin pulling hook;

FIG. 3 is a back view of FIG. 2;

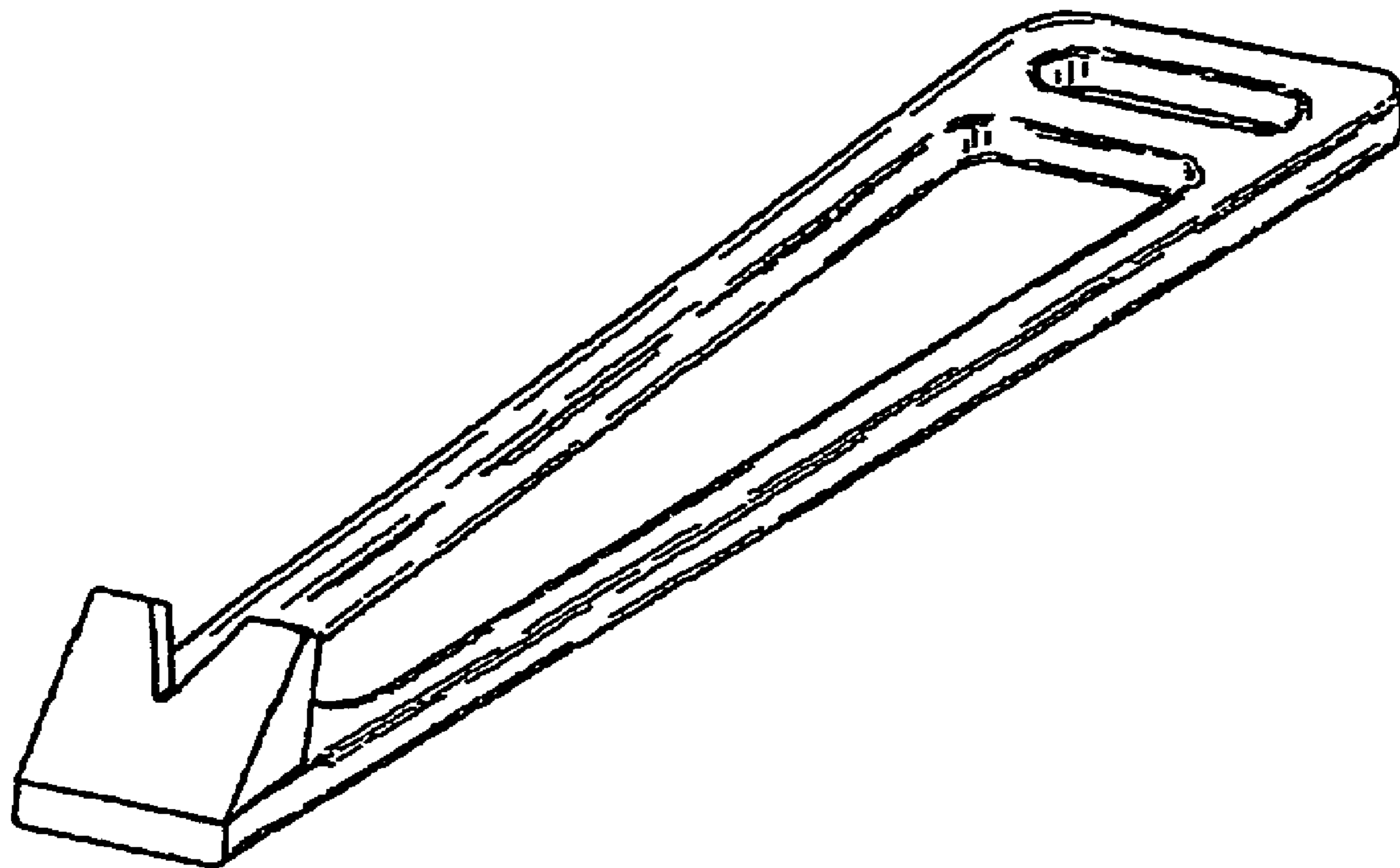
FIG. 4 is a left side view of FIG. 2;

FIG. 5 is a right side view of FIG. 2;

FIG. 6 is a top end view of FIG. 2; and,

FIG. 7 is a bottom end view of FIG. 2.

**1 Claim, 1 Drawing Sheet**



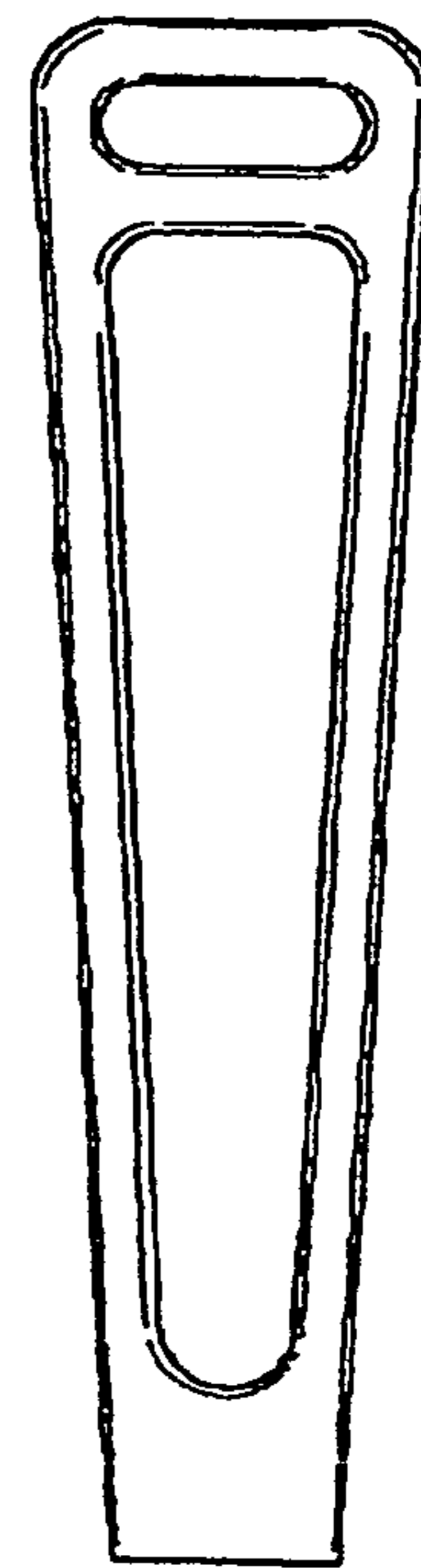
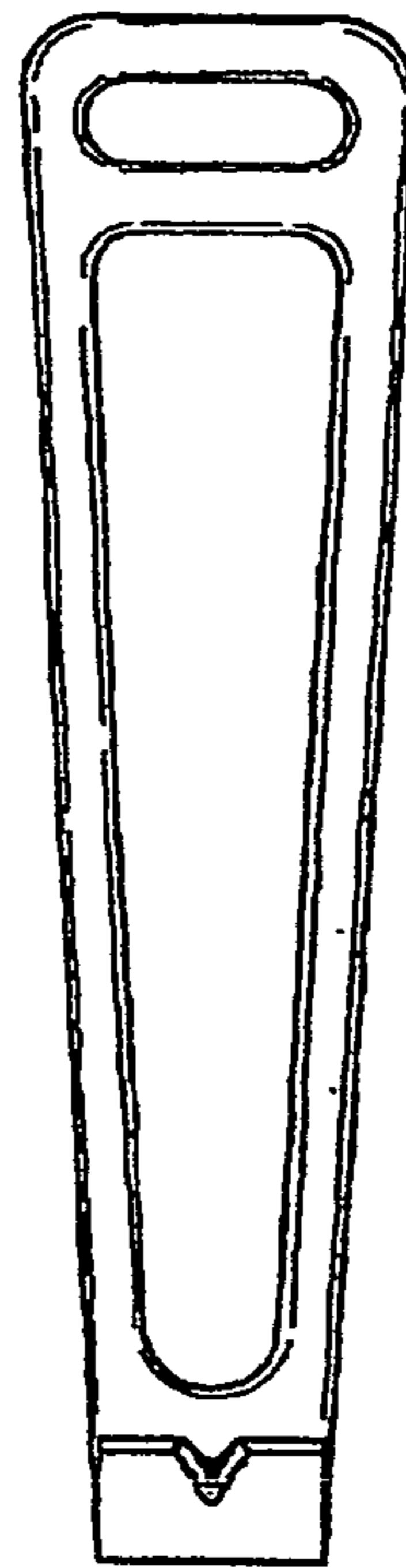
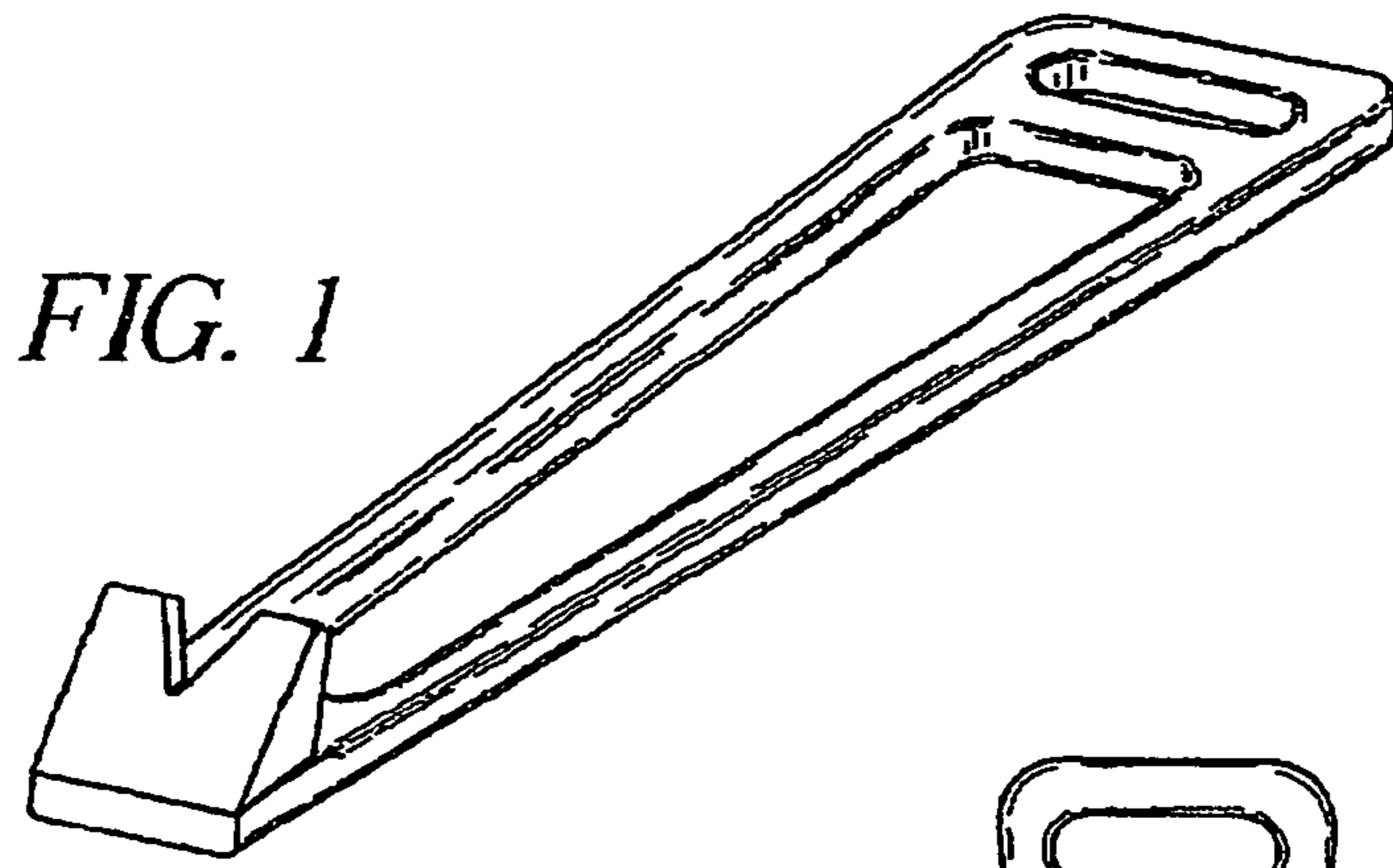


FIG. 2

FIG. 3

FIG. 4

FIG. 5



FIG. 6

FIG. 7