



US00D579736S

(12) **United States Design Patent**
Cotter et al.

(10) **Patent No.:** **US D579,736 S**

(45) **Date of Patent:** **** Nov. 4, 2008**

(54) **COOKIE DIPPER**

D552,941 S * 10/2007 McRorie D7/691

(76) Inventors: **Mark E. Cotter**, 4901 Presidential St.,
Seffner, FL (US) 33584; **Julie K. Cotter**,
4901 Presidential St., Seffner, FL (US)
33584

* cited by examiner

Primary Examiner—Lisa P Lichtenstein

(**) Term: **14 Years**

(57) **CLAIM**

An ornamental design for a cookie dipper, as shown and described.

(21) Appl. No.: **29/291,510**

(22) Filed: **Aug. 31, 2007**

DESCRIPTION

(51) **LOC (8) Cl.** **07-04**

FIG. 1 is an isometric view of the cookie dipper of the present invention in a closed position;

(52) **U.S. Cl.** **D7/669**

FIG. 2 is a front elevation view thereof;

(58) **Field of Classification Search** D7/669,
D7/672, 676, 675, 691; 99/426, 431, 444
See application file for complete search history.

FIG. 3 is a rear elevation view thereof;

FIG. 4 is a right elevation view thereof;

FIG. 5 is a left elevation view thereof;

FIG. 6 is a top elevation view thereof;

FIG. 7 is a bottom elevation view thereof; and,

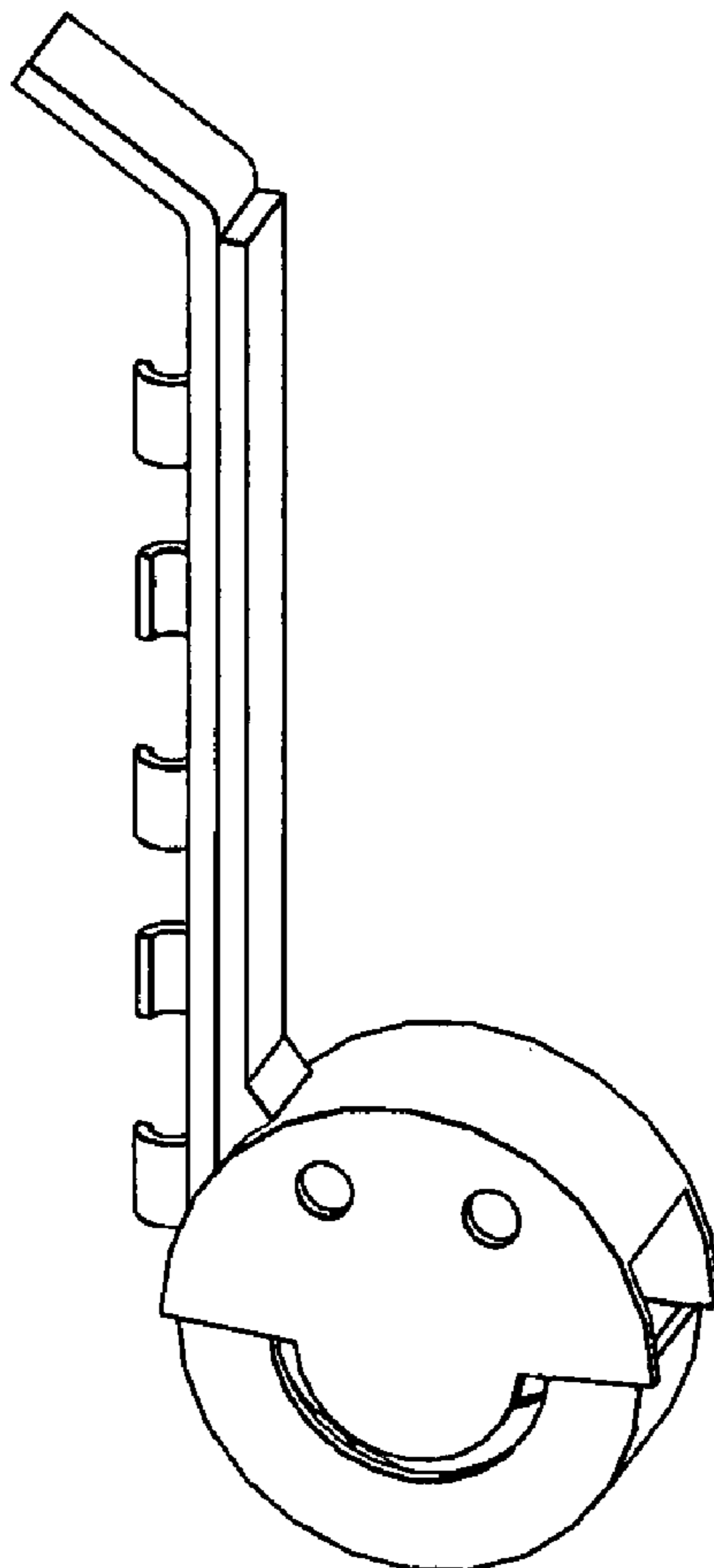
FIG. 8 is an isometric view of the cookie dipper of the present invention in an open position.

(56) **References Cited**

U.S. PATENT DOCUMENTS

- D154,564 S * 9/1949 Price et al. D7/676
- D307,849 S * 5/1990 Kiyokane D7/676
- D414,075 S * 9/1999 Mishan D7/410

1 Claim, 3 Drawing Sheets



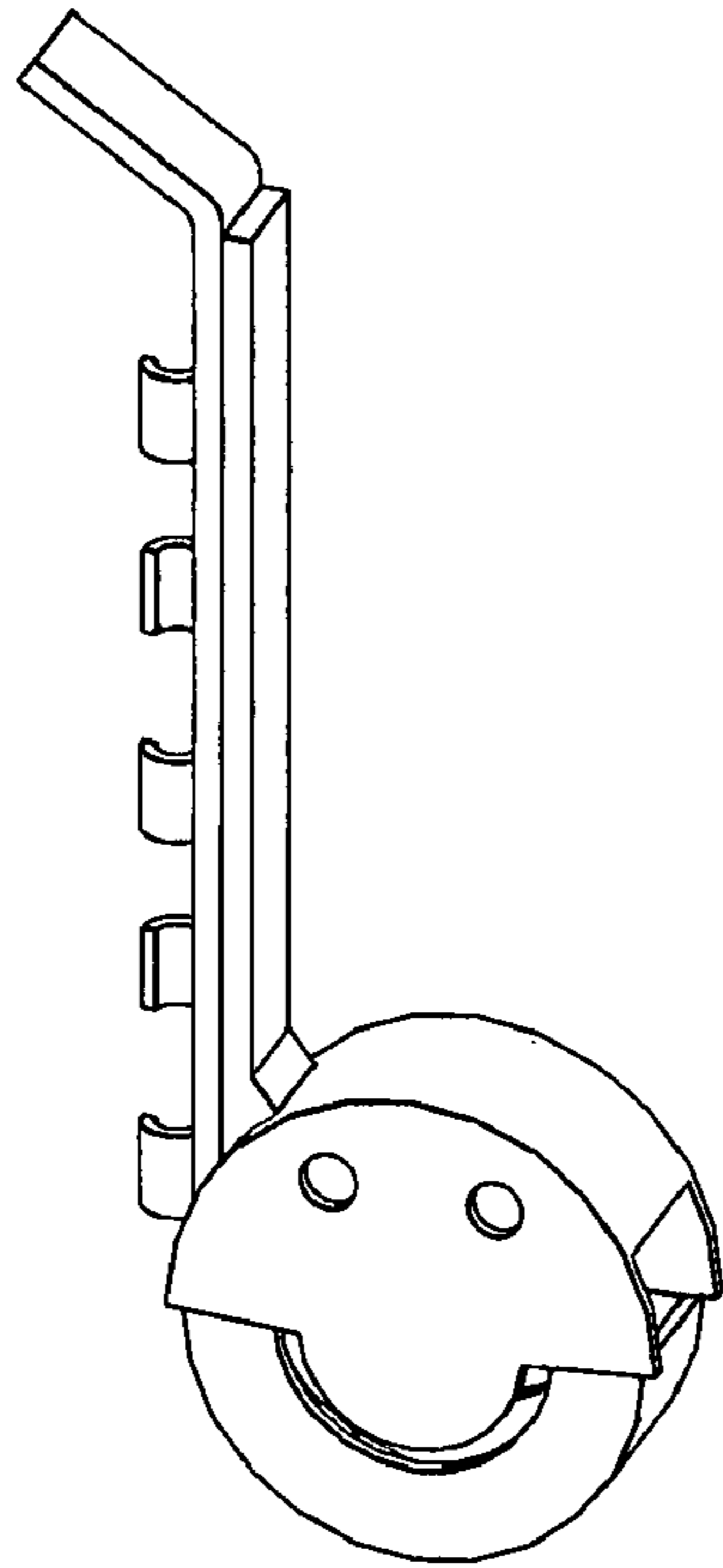


FIG. 1

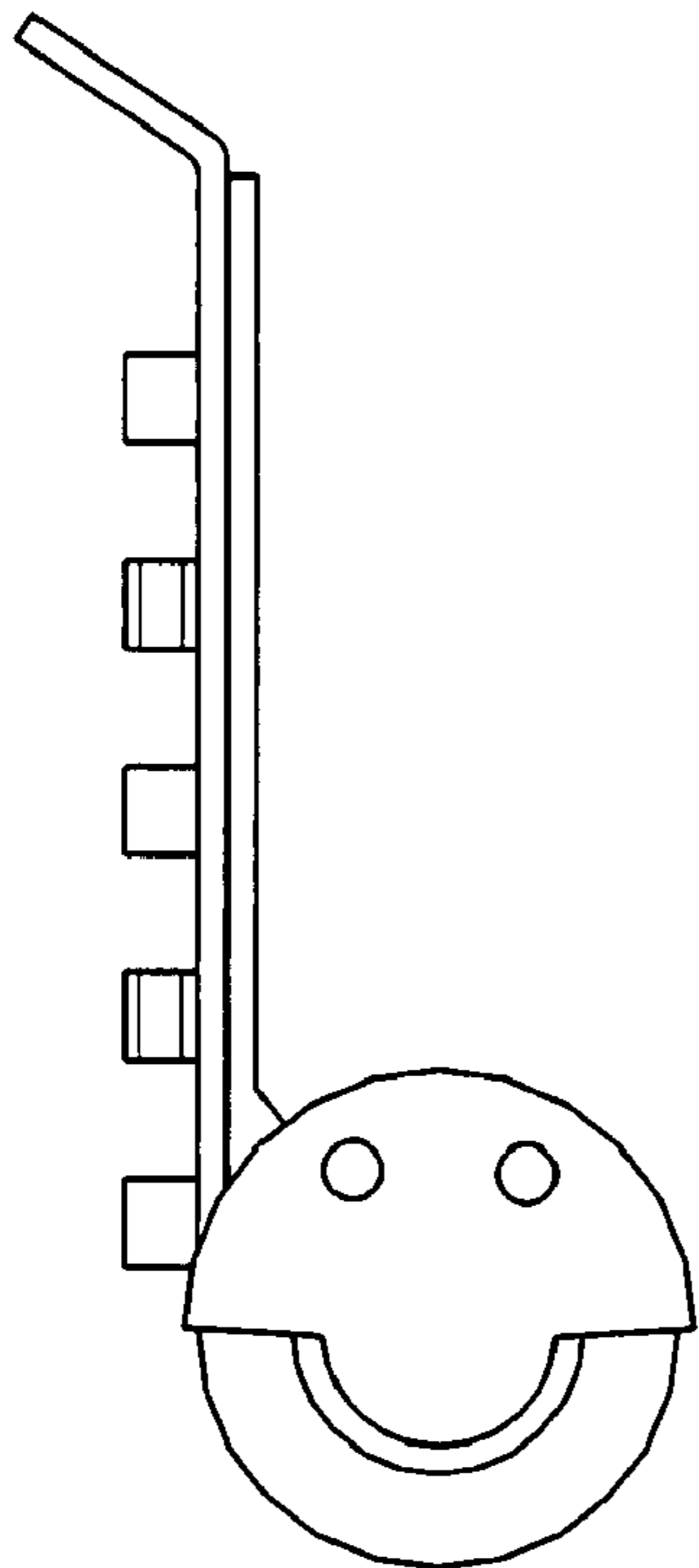


FIG. 2

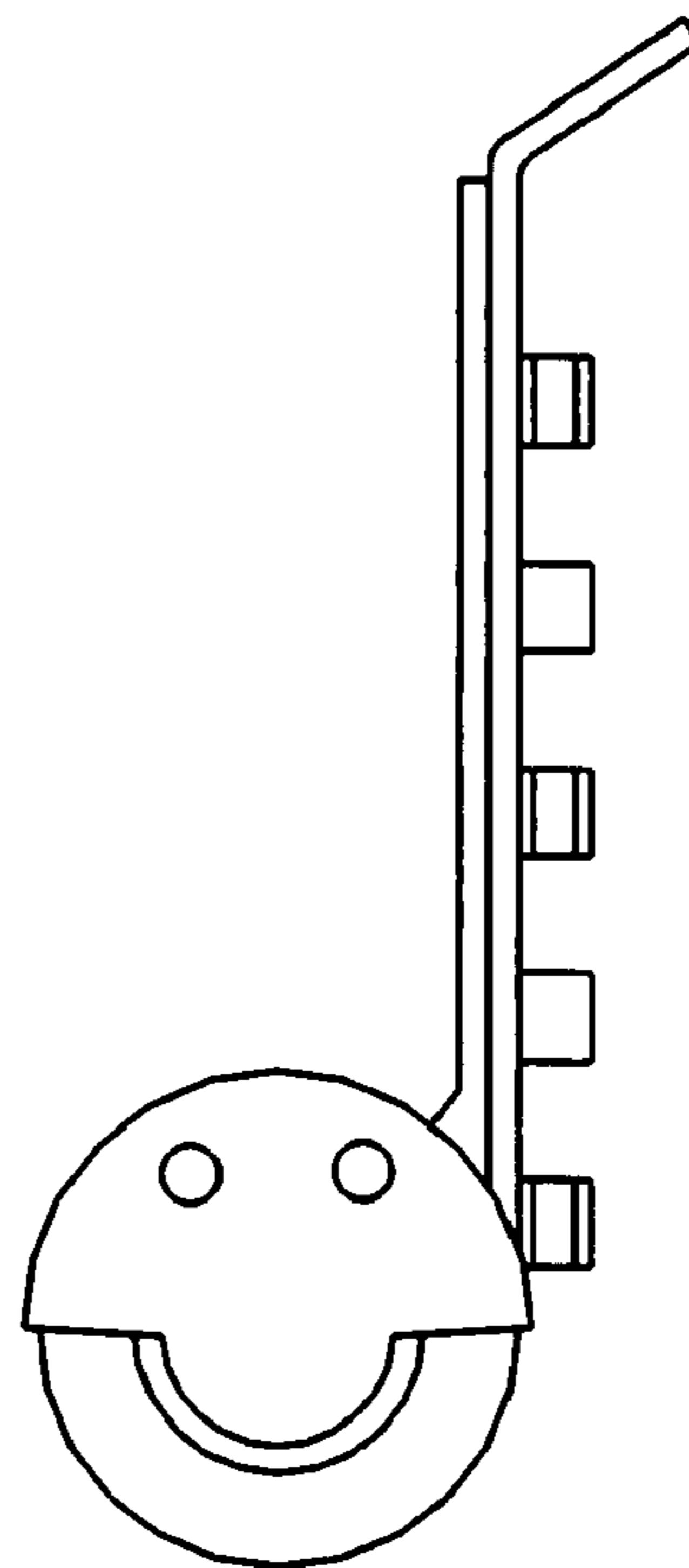


FIG. 3

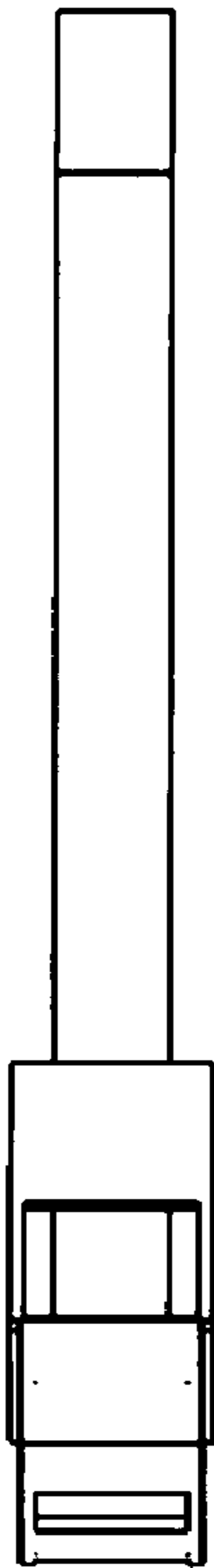


FIG. 4

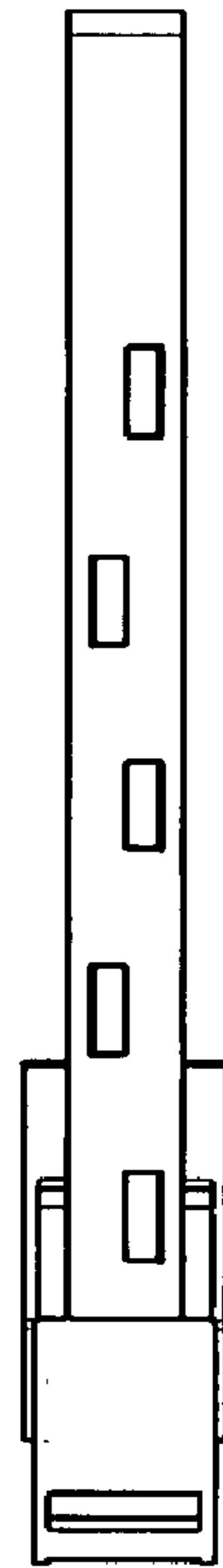


FIG. 5

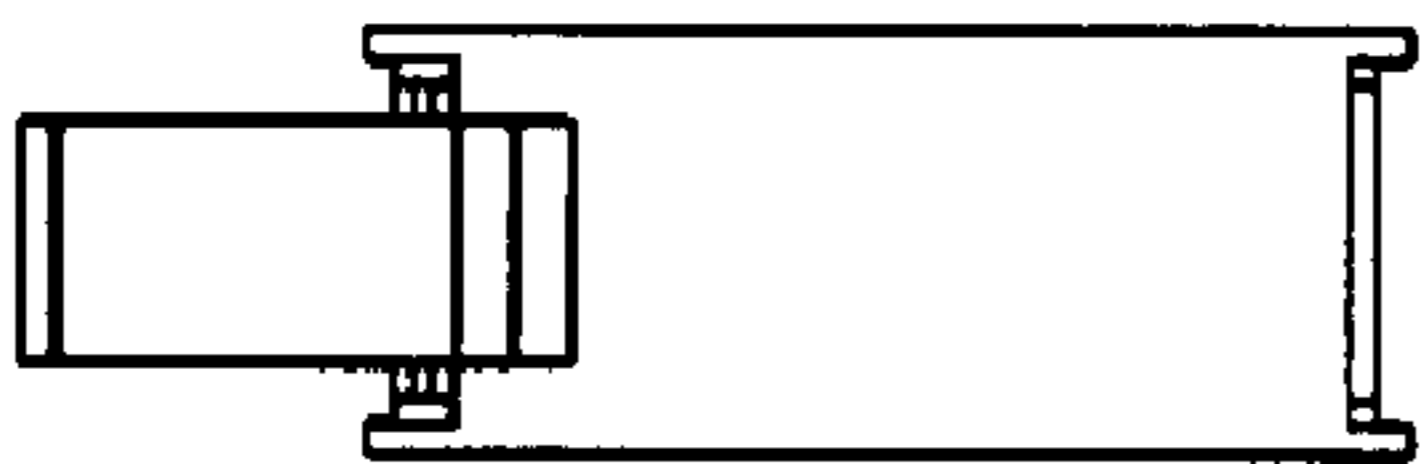


FIG. 6

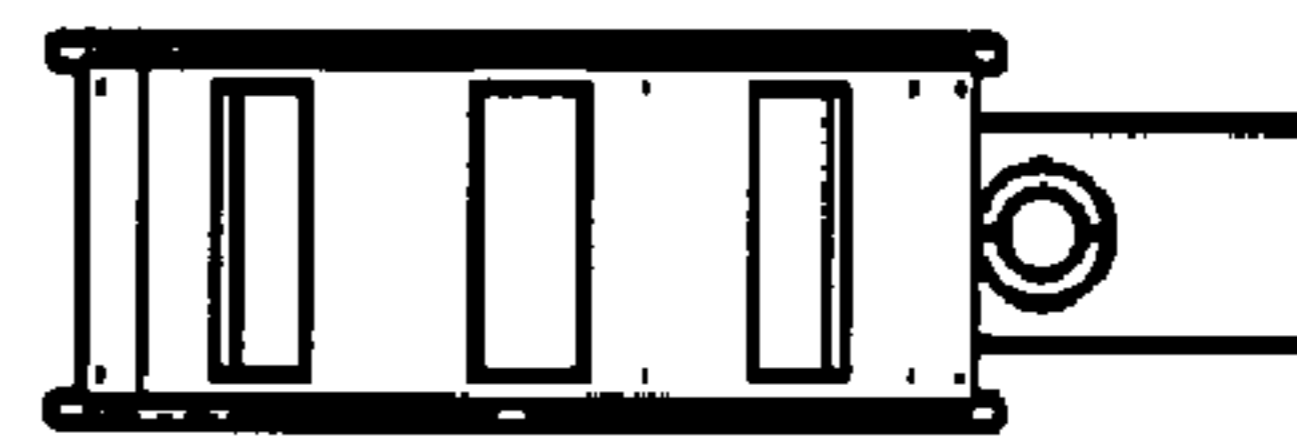


FIG. 7

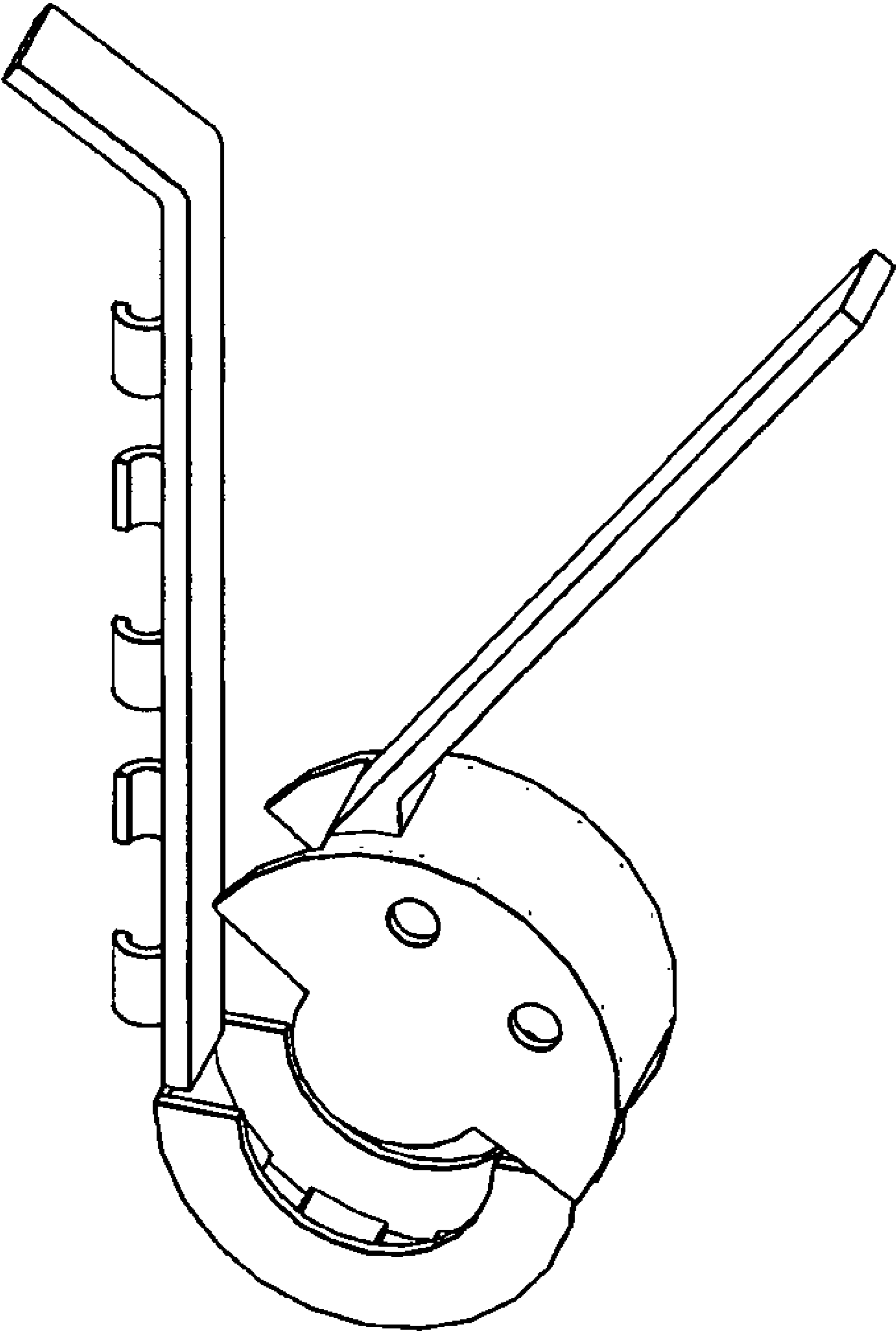


FIG. 8