



US00D579735S

(12) **United States Design Patent**
Picozza et al.

(10) **Patent No.:** **US D579,735 S**

(45) **Date of Patent:** **** Nov. 4, 2008**

(54) **JUICE EXTRACTOR**

(75) Inventors: **Augusto Picozza**, Boca Raton, FL (US);
Christopher Jones, San Francisco, CA
(US); **Adam Leonards**, El Cerrito, CA
(US); **Remy Labesque**, Glen Ellen, CA
(US)

(73) Assignee: **Sunbeam Products, Inc.**, Boca Raton,
FL (US)

(**) Term: **14 Years**

(21) Appl. No.: **29/304,510**

(22) Filed: **Mar. 3, 2008**

(51) **LOC (8) Cl.** **31-00**

(52) **U.S. Cl.** **D7/665**

(58) **Field of Classification Search** D7/665,
D7/666, 373, 374, 381, 384; 241/36, 37.5,
241/92, 100, 282.1; 99/348, 495, 501-513,
99/357

See application file for complete search history.

(56) **References Cited**

U.S. PATENT DOCUMENTS

D309,083 S * 7/1990 Kahlcke D7/665
6,058,833 A * 5/2000 Ling et al. 99/510
6,609,455 B2 * 8/2003 Fouquet 99/511

D513,943 S * 1/2006 Hsu D7/665
D522,321 S * 6/2006 Hsu D7/665
D540,127 S * 4/2007 Ye et al. D7/665

* cited by examiner

Primary Examiner—Terry A Wallace
(74) *Attorney, Agent, or Firm*—Seth Blum

(57) **CLAIM**

The ornamental design for a juice extractor, as shown and described.

DESCRIPTION

FIG. 1 is a top front right perspective view of the juice extractor showing the new design;

FIG. 2 is a top front left perspective view thereof;

FIG. 3 is a front elevation view thereof;

FIG. 4 is a back elevation view thereof;

FIG. 5 is a right side elevation view thereof;

FIG. 6 is a left side elevation view thereof;

FIG. 7 is a top plan view thereof; and,

FIG. 8 is a bottom plan view thereof.

The broken lines in the drawings are for illustrative purposes only and form no part of the claimed design.

1 Claim, 4 Drawing Sheets

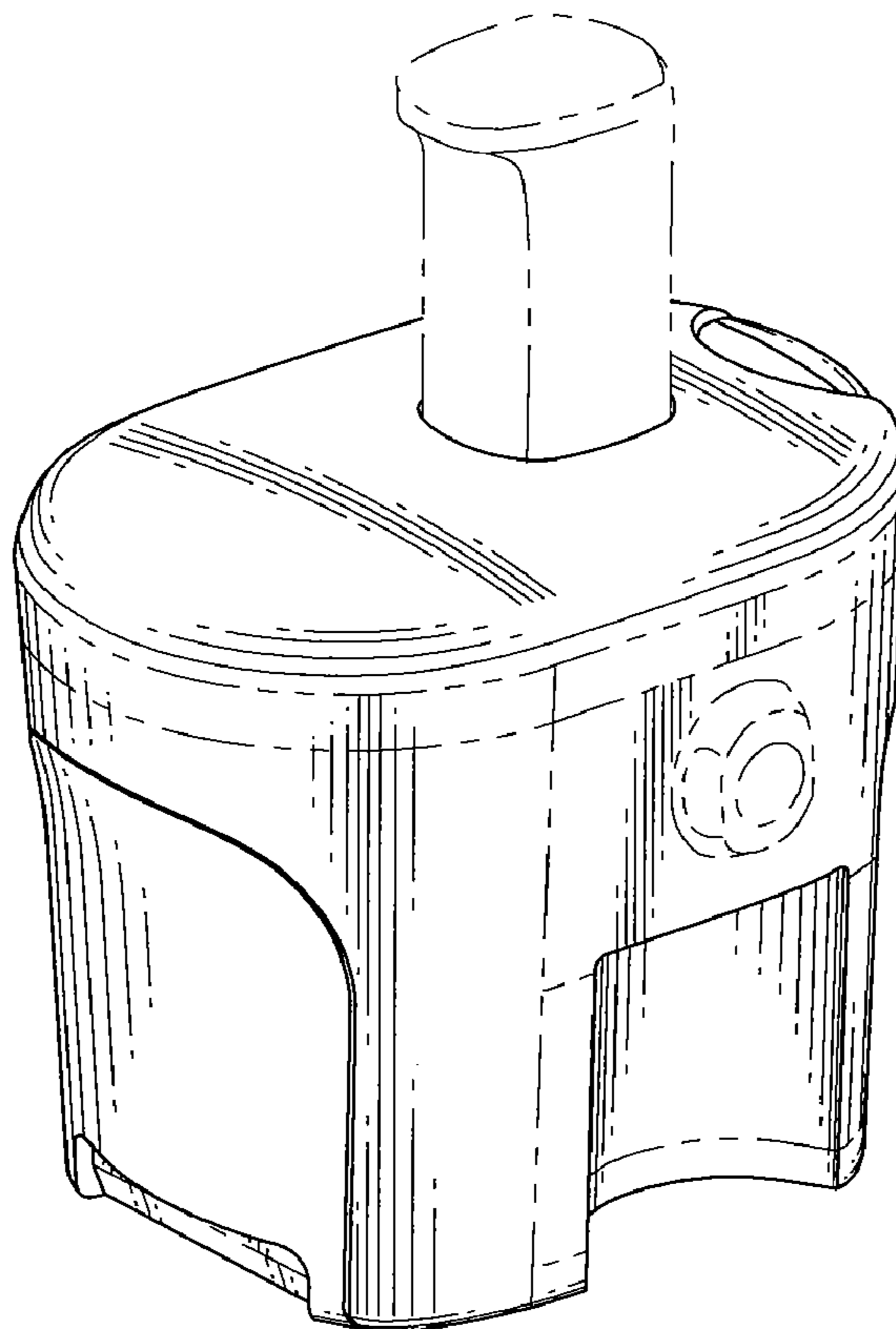


FIG. 1

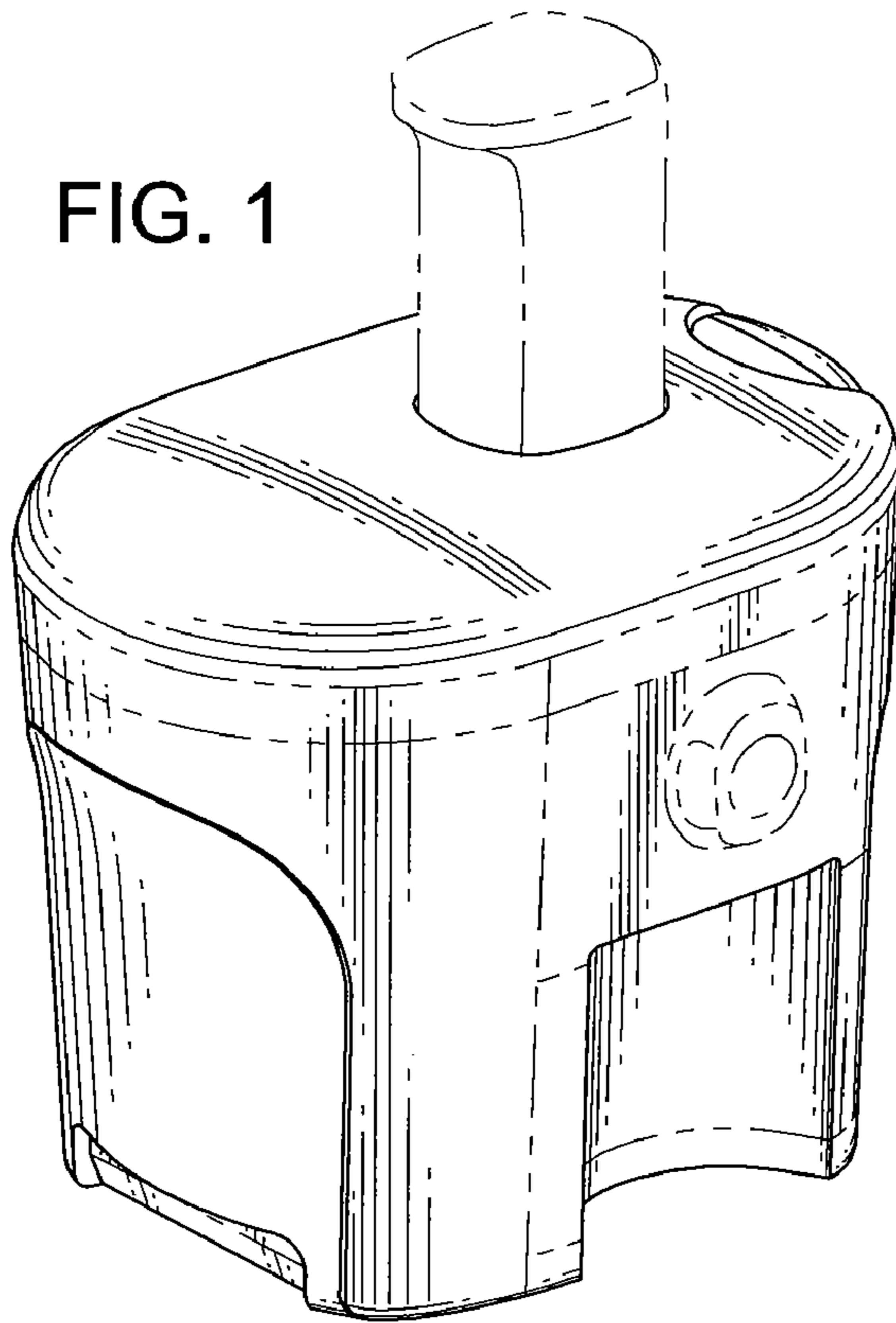
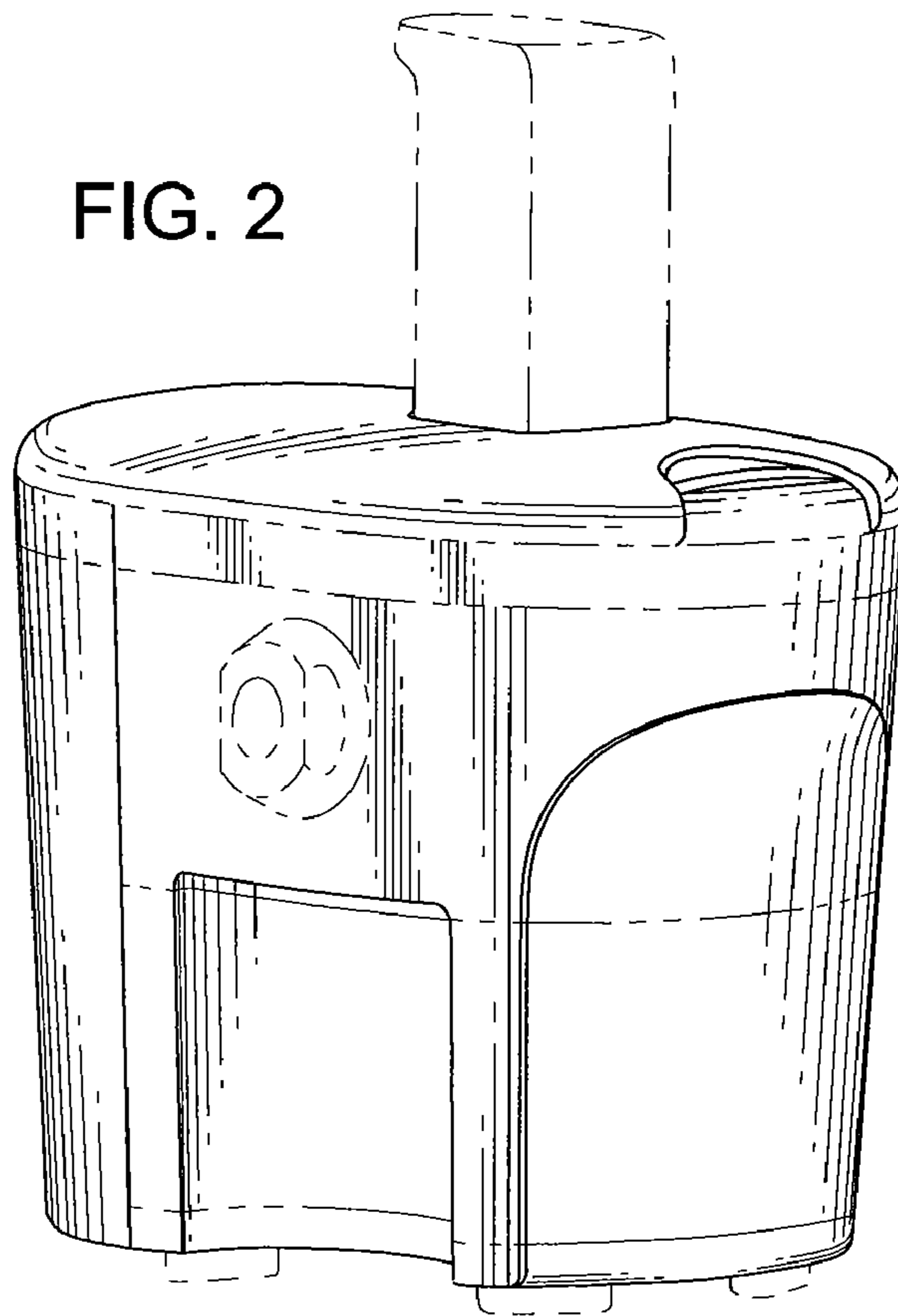


FIG. 2



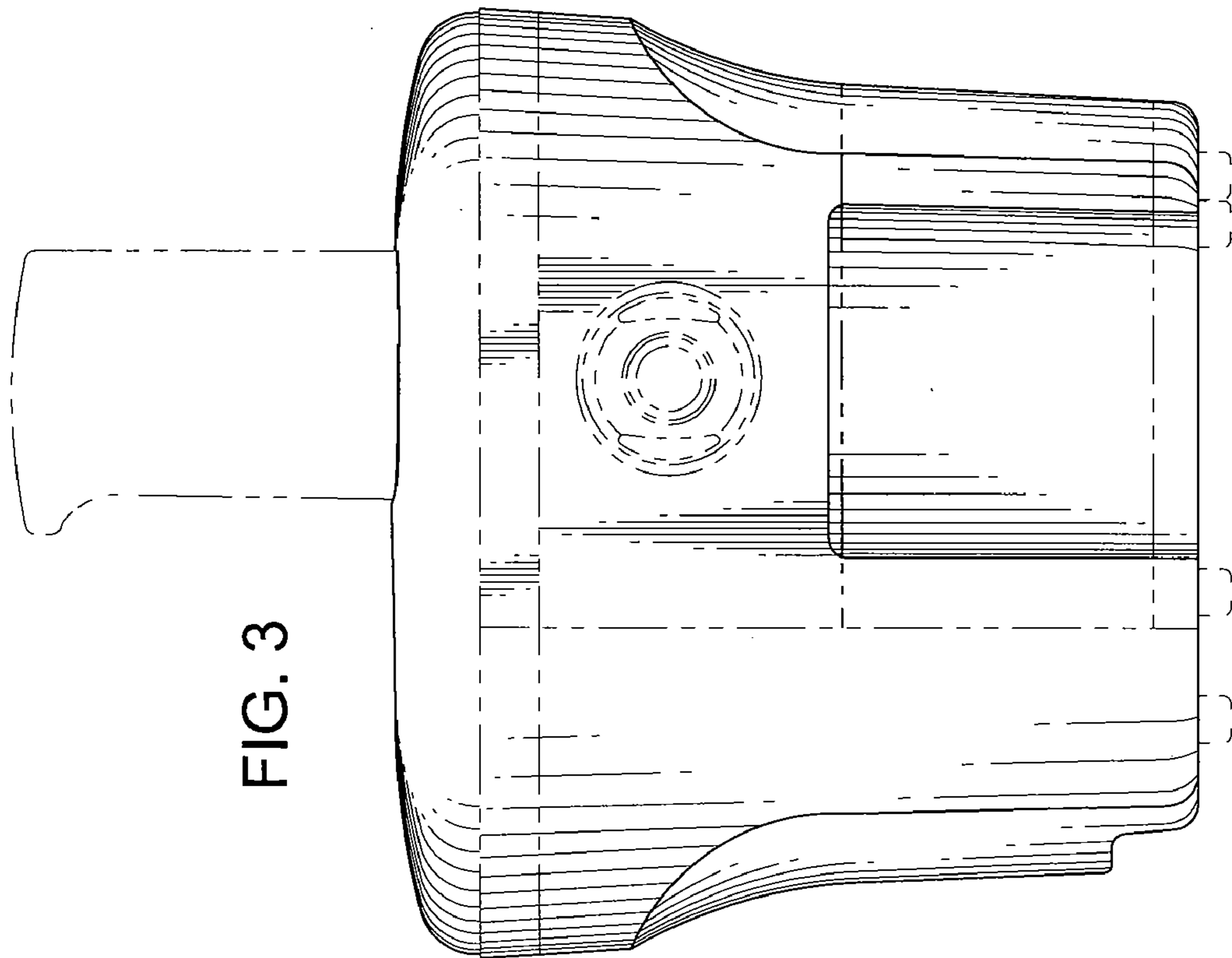
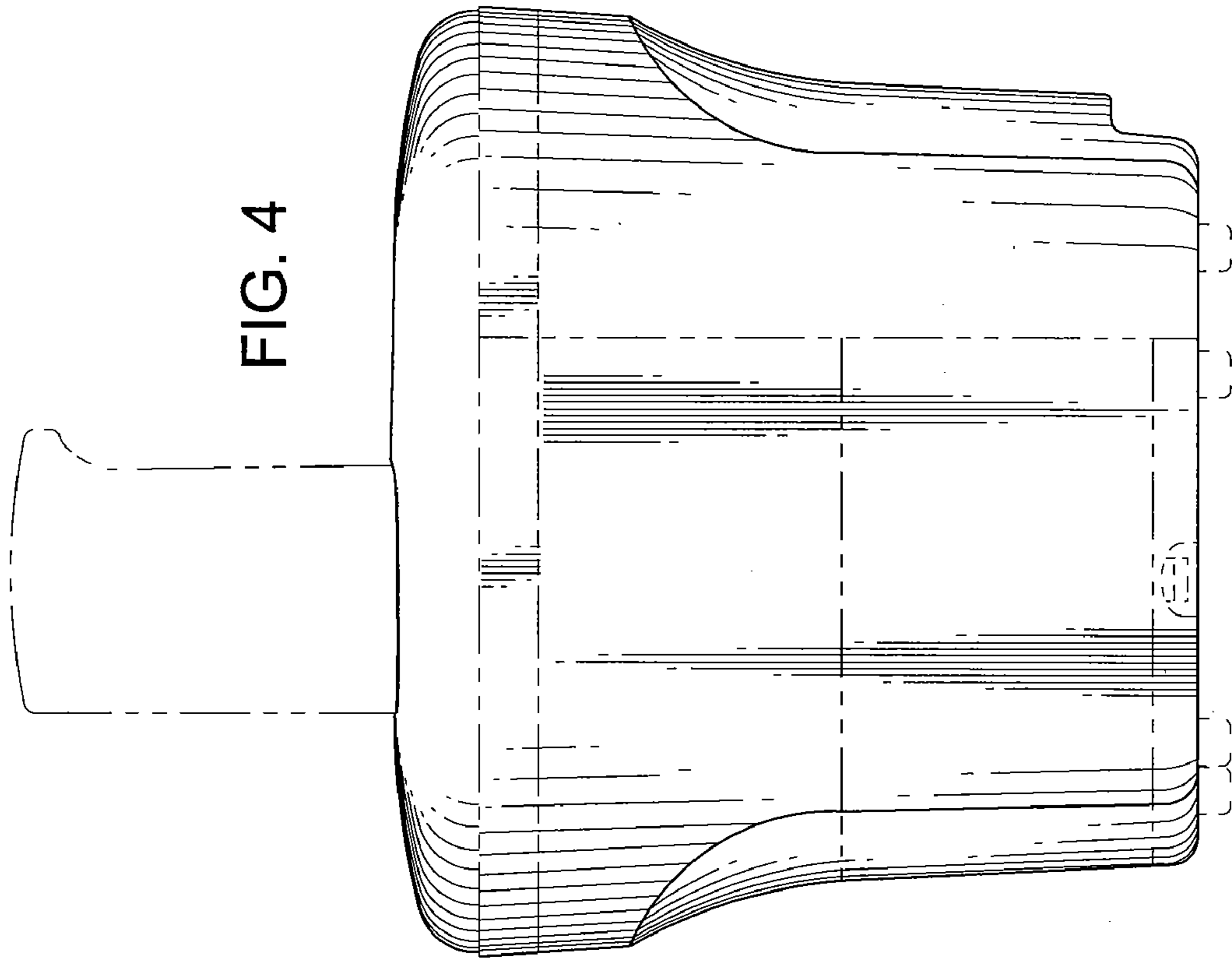


FIG. 6

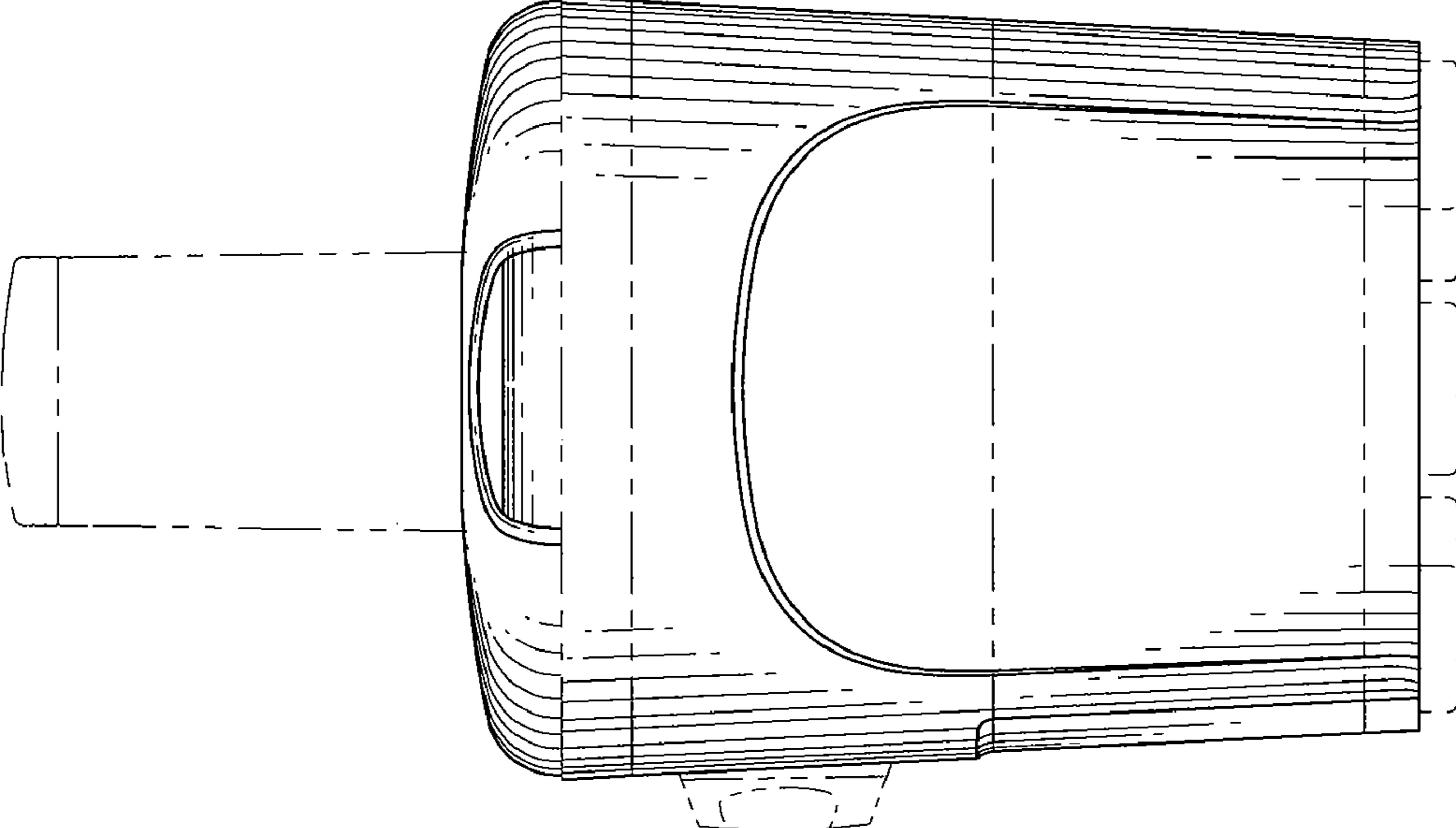


FIG. 5

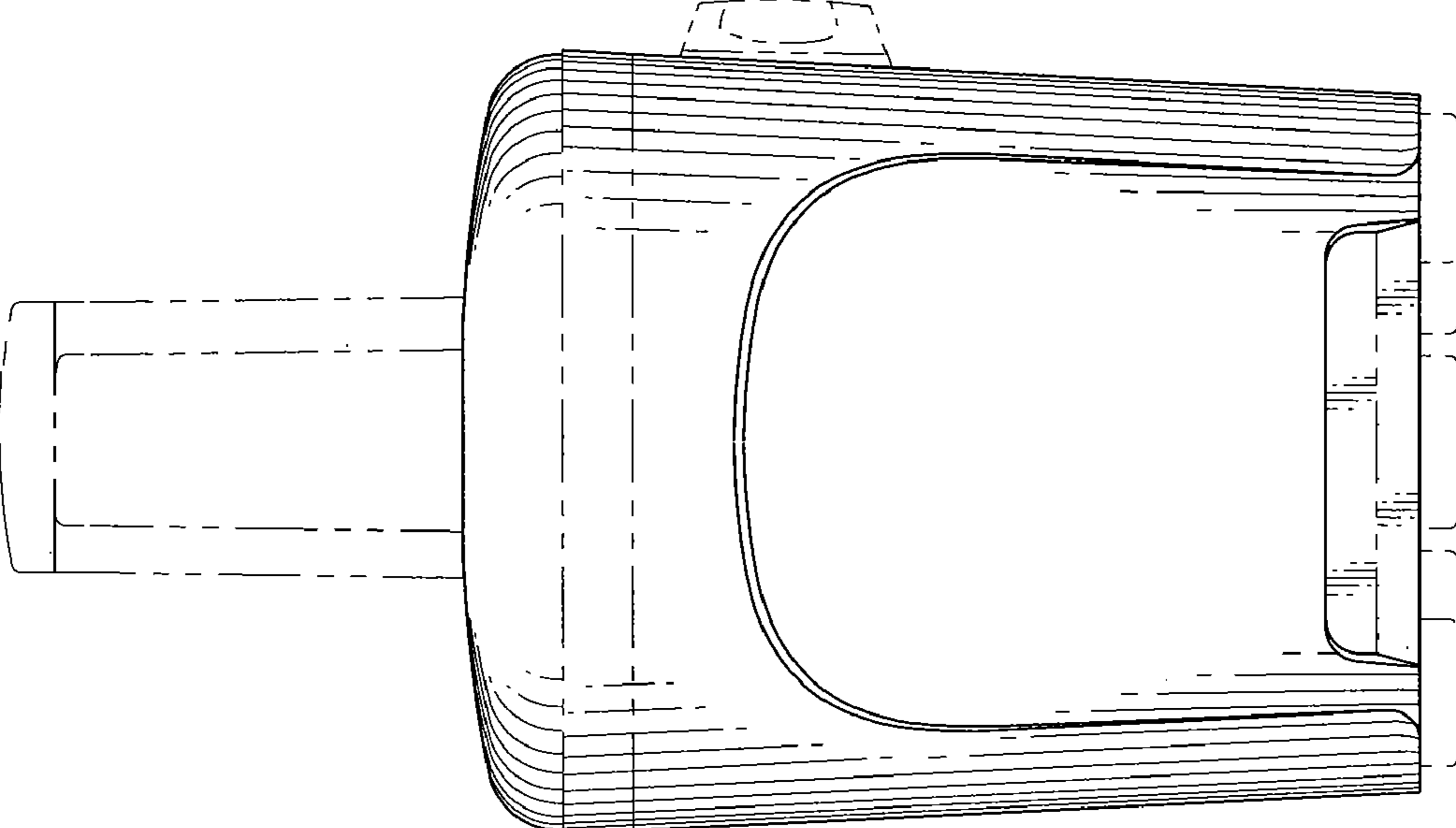


FIG. 7

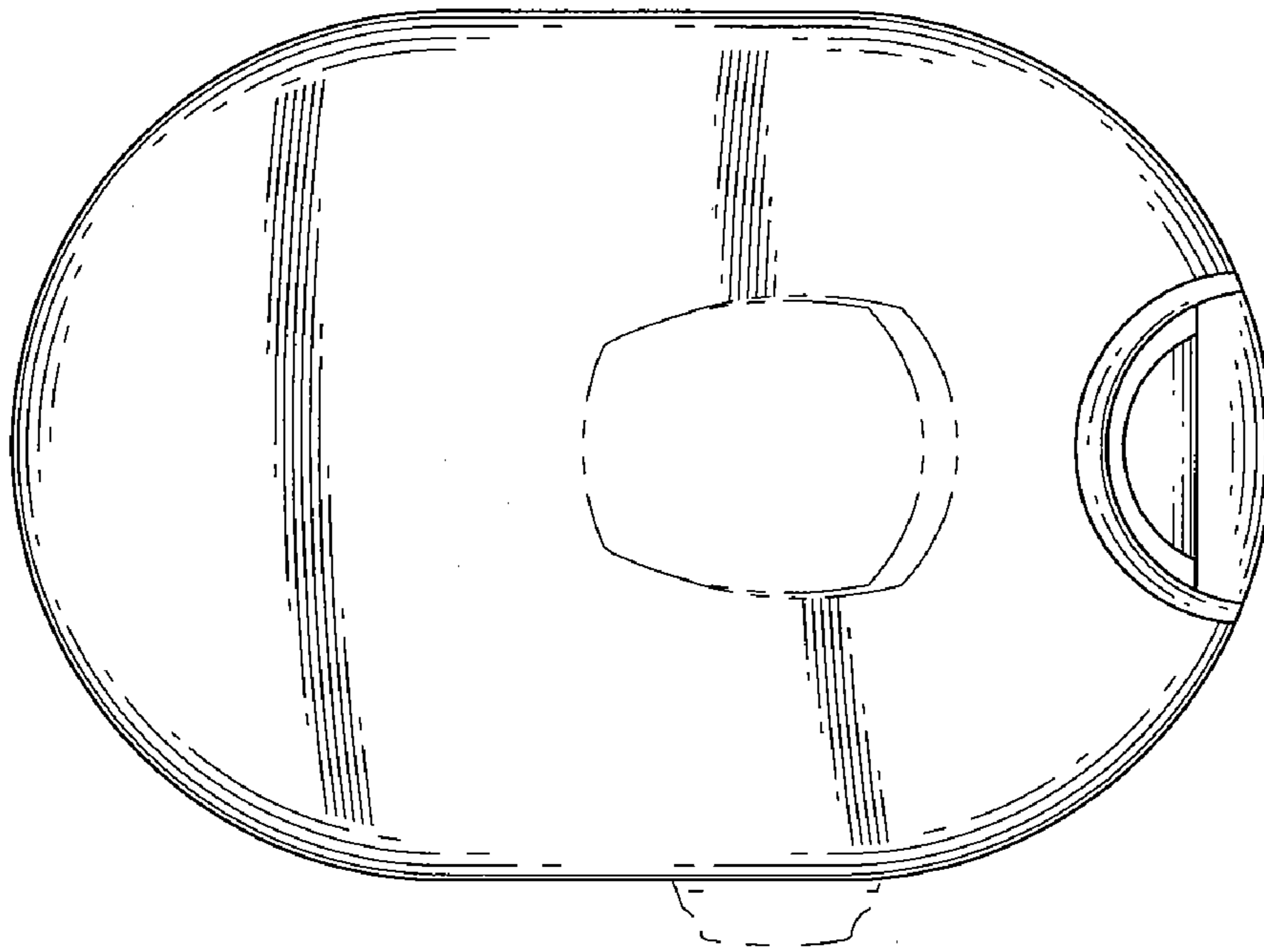


FIG. 8

