



US00D579728S

(12) **United States Design Patent**  
**Stokes**

(10) **Patent No.:** **US D579,728 S**

(45) **Date of Patent:** **\*\* Nov. 4, 2008**

(54) **KNIFE RACK**

(75) Inventor: **Andrew Stokes**, Buxton (GB)

(73) Assignee: **Bisbell Magnetic Products Limited**,  
Burton upon Trent (GB)

(\*\*) Term: **14 Years**

(21) Appl. No.: **29/283,224**

(22) Filed: **Aug. 8, 2007**

(51) **LOC (8) Cl.** ..... **07-99**

(52) **U.S. Cl.** ..... **D7/637**

(58) **Field of Classification Search** ..... D7/637-641;  
211/60.1, 70.1, 70.6, 70.7, 89.01; 248/309.4,  
248/206.5, 37.6; D8/71  
See application file for complete search history.

(56) **References Cited**

**U.S. PATENT DOCUMENTS**

1,876,284	A *	9/1932	Fried	.....	211/70.7
2,753,631	A *	7/1956	Culver	.....	248/37.6
2,754,008	A *	7/1956	Culver	.....	248/37.6
3,842,980	A *	10/1974	Kushner	.....	248/205.3
4,934,539	A *	6/1990	Lu	.....	211/70.7

4,966,339	A *	10/1990	Lu	.....	248/37.3
D327,387	S *	6/1992	Hofer	.....	D7/641
D395,800	S *	7/1998	Sampson	.....	D7/637
6,719,155	B1 *	4/2004	Chang	.....	211/70.6
6,811,127	B1 *	11/2004	Shiao	.....	248/206.5

\* cited by examiner

*Primary Examiner*—Terry A Wallace

(74) *Attorney, Agent, or Firm*—Goodwin Procter LLP

(57) **CLAIM**

The ornamental design for a knife rack, as shown and described herein.

**DESCRIPTION**

FIG. 1 is a top plan view of the knife rack (the bottom view corresponds);

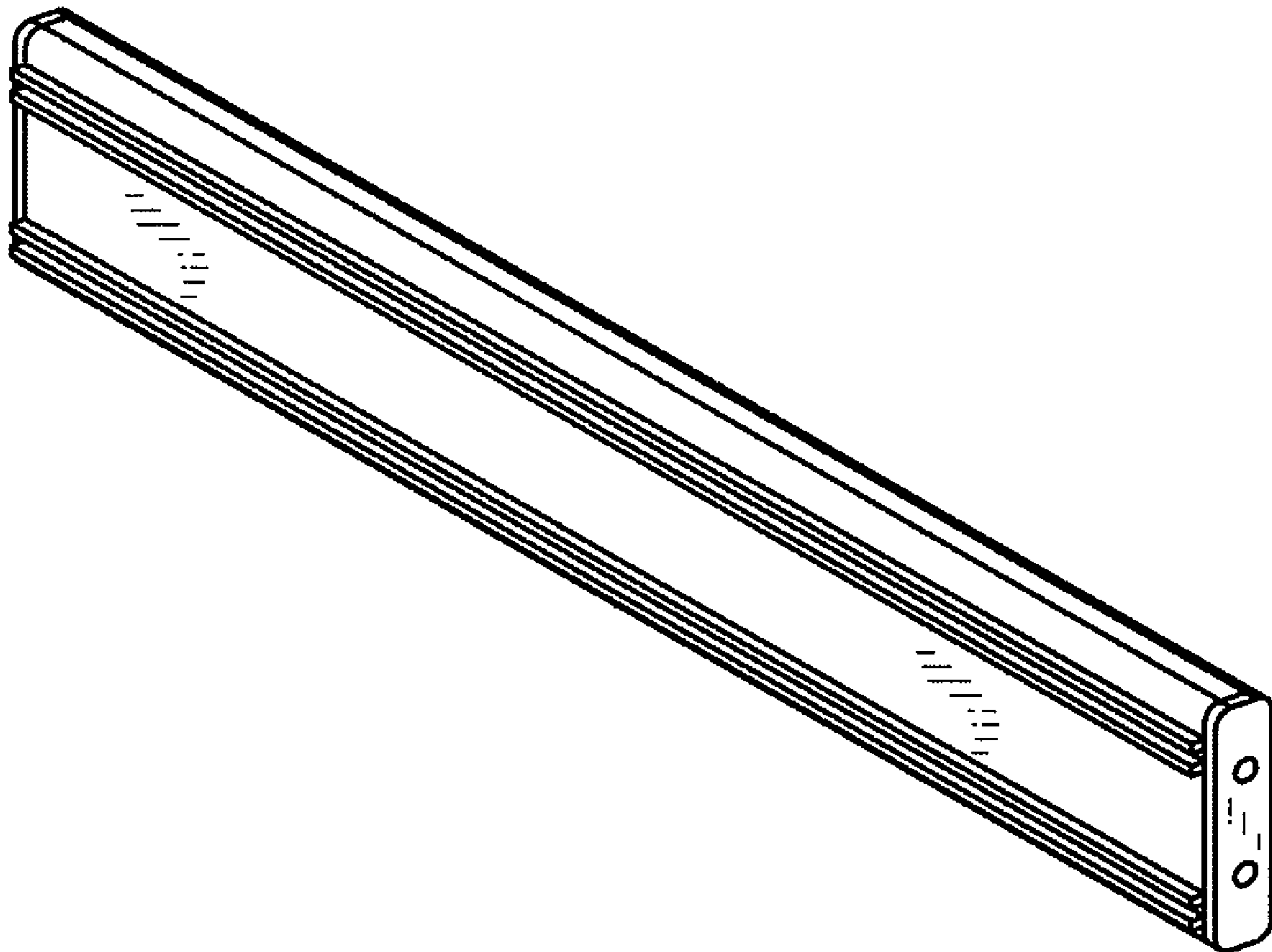
FIG. 2 is a front view of the knife rack;

FIG. 3 is a perspective view of the knife rack;

FIG. 4 is a side view of the knife rack (the other side view corresponds); and,

FIG. 5 is a rear view of the knife rack.

**1 Claim, 1 Drawing Sheet**



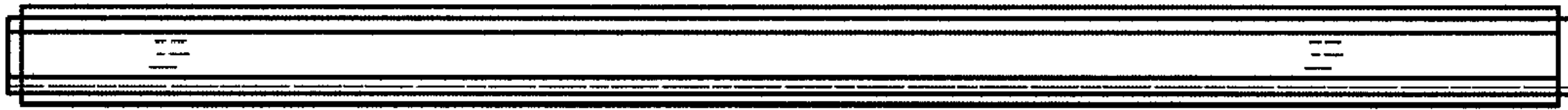


FIG. 1

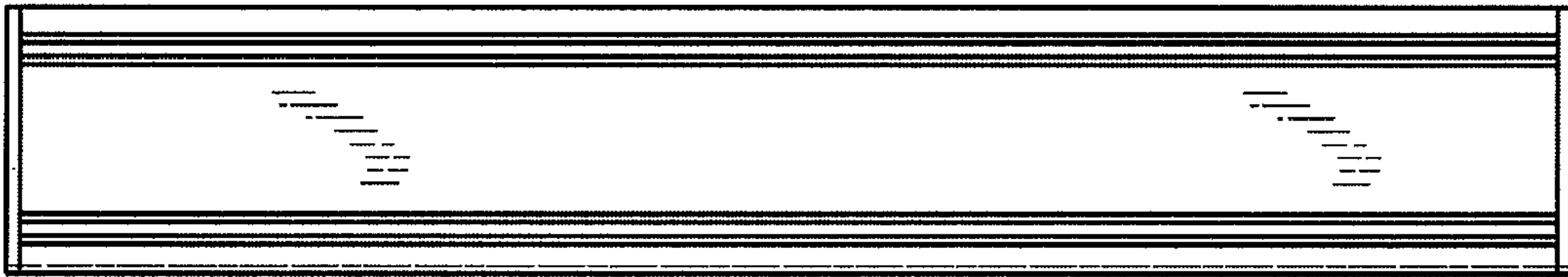


FIG. 2

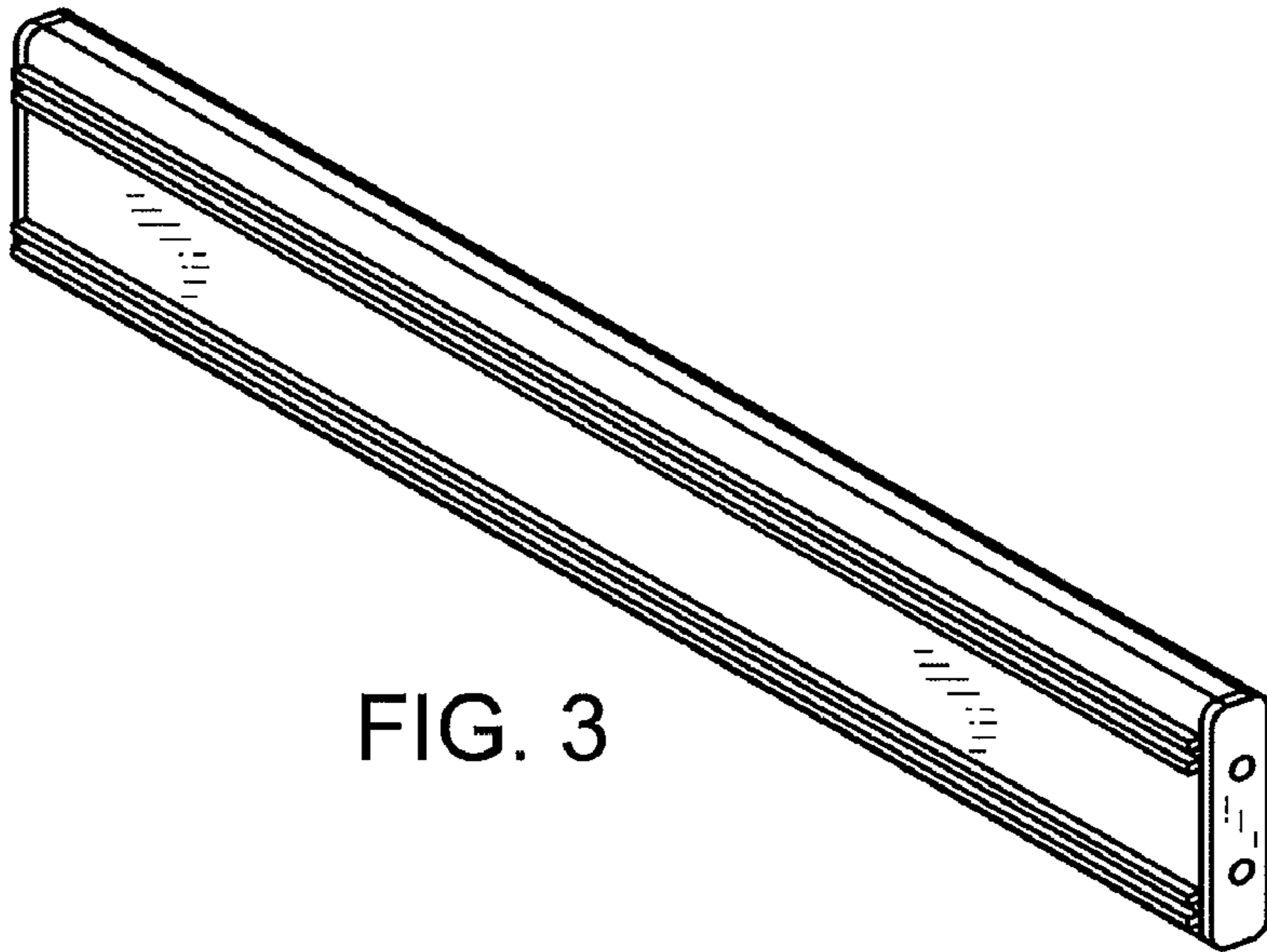


FIG. 3

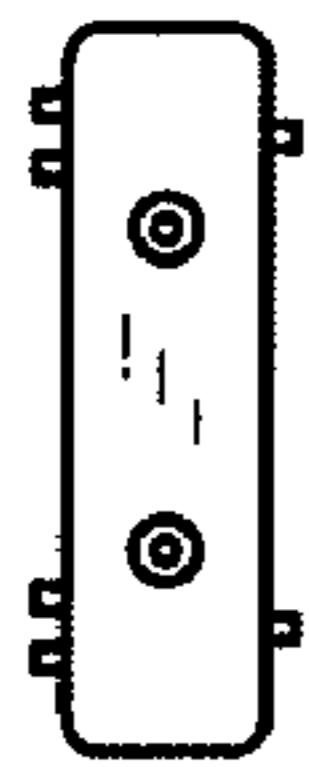


FIG. 4

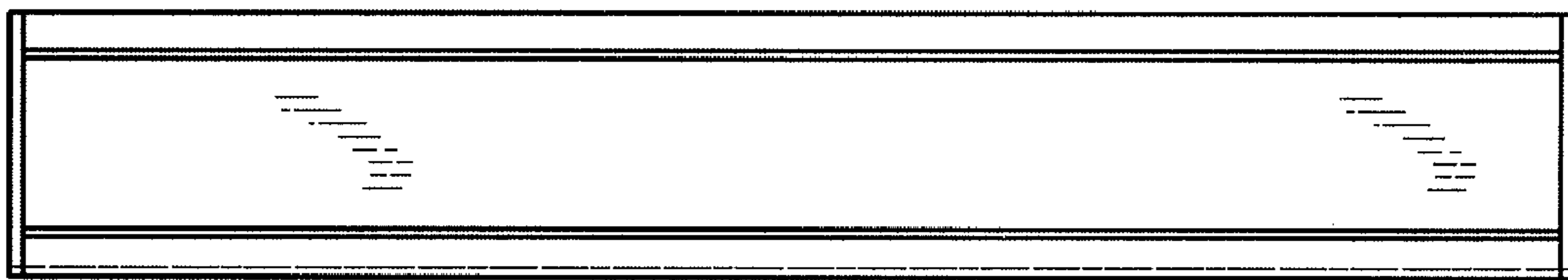


FIG. 5