



US00D579727S

(12) **United States Design Patent**  
**Croteau et al.**

(10) **Patent No.:** **US D579,727 S**  
(45) **Date of Patent:** **\*\* Nov. 4, 2008**

(54) **HANDLE FOR JUICE AND MILK CARTONS**

(76) Inventors: **Mike Croteau**, 282 Village Green Drive,  
Woodbridge, Ontario (CA) L4L 9R3;  
**Ajaib Hayer**, 35 Withay Drive, Ajax,  
Ontario (CA) L1T 3J8

(\*\*) Term: **14 Years**

(21) Appl. No.: **29/287,413**

(22) Filed: **Aug. 3, 2007**

(51) **LOC (8) Cl.** ..... **07-06**

(52) **U.S. Cl.** ..... **D7/622**

(58) **Field of Classification Search** ..... D7/619.1-625,  
D7/701-708; D9/455; 215/395, 396, 398;  
220/737, 742; 294/31.1, 31.2, 32, 33  
See application file for complete search history.

(56) **References Cited**

U.S. PATENT DOCUMENTS

626,262 A	6/1899	Wright	
2,992,847 A *	7/1961	Lemke et al. ....	294/31.2
3,017,215 A	1/1962	Gallpeau	
3,024,943 A	3/1962	Yeager	
D194,365 S	1/1963	Elcholtz	

(Continued)

*Primary Examiner*—Terry A Wallace

(74) *Attorney, Agent, or Firm*—Riches, McKenzie & Herbert  
LLP

(57) **CLAIM**

We claim the ornamental design for a handle for juice and  
milk cartons, as shown.

**DESCRIPTION**

FIG. 1 is a perspective view of a handle for juice and milk  
cartons showing a first variation of our new design;

FIG. 2 is a front elevational view of the first variation;

FIG. 3 is a left side elevational view of the first variation, the  
right side elevational view being a mirror image thereof;

FIG. 4 is a top elevational view of the first variation;

FIG. 5 is a rear elevational view of the first variation;

FIG. 6 is a bottom elevational view of the first variation;

FIG. 7 is a perspective view of the first variation showing the  
handle for juice and milk cartons in use; the broken lines  
depict environmental structure for illustrative purposes only  
and form no part of the claimed design;

FIG. 8 is a perspective view of a handle for juice and milk  
cartons showing a second variation of our new design;

FIG. 9 is a front elevational view of the second variation;

FIG. 10 is a left side elevational view of the second variation,  
the right side elevational view being a mirror image thereof;

FIG. 11 is a top elevational view of the second variation;

FIG. 12 is a rear elevational view of the second variation;

FIG. 13 is a bottom elevational view of the second variation;

FIG. 14 is a perspective view of the second variation showing  
the handle for juice and milk cartons in use; the broken lines  
depict environmental structure for illustrative purposes only  
and form no part of the claimed design;

FIG. 15 is a perspective view of a handle for juice and milk  
cartons showing a third variation of our new design;

FIG. 16 is a front elevational view of the third variation;

FIG. 17 is a left side elevational view of the third variation, the  
right side elevational view being a mirror image thereof;

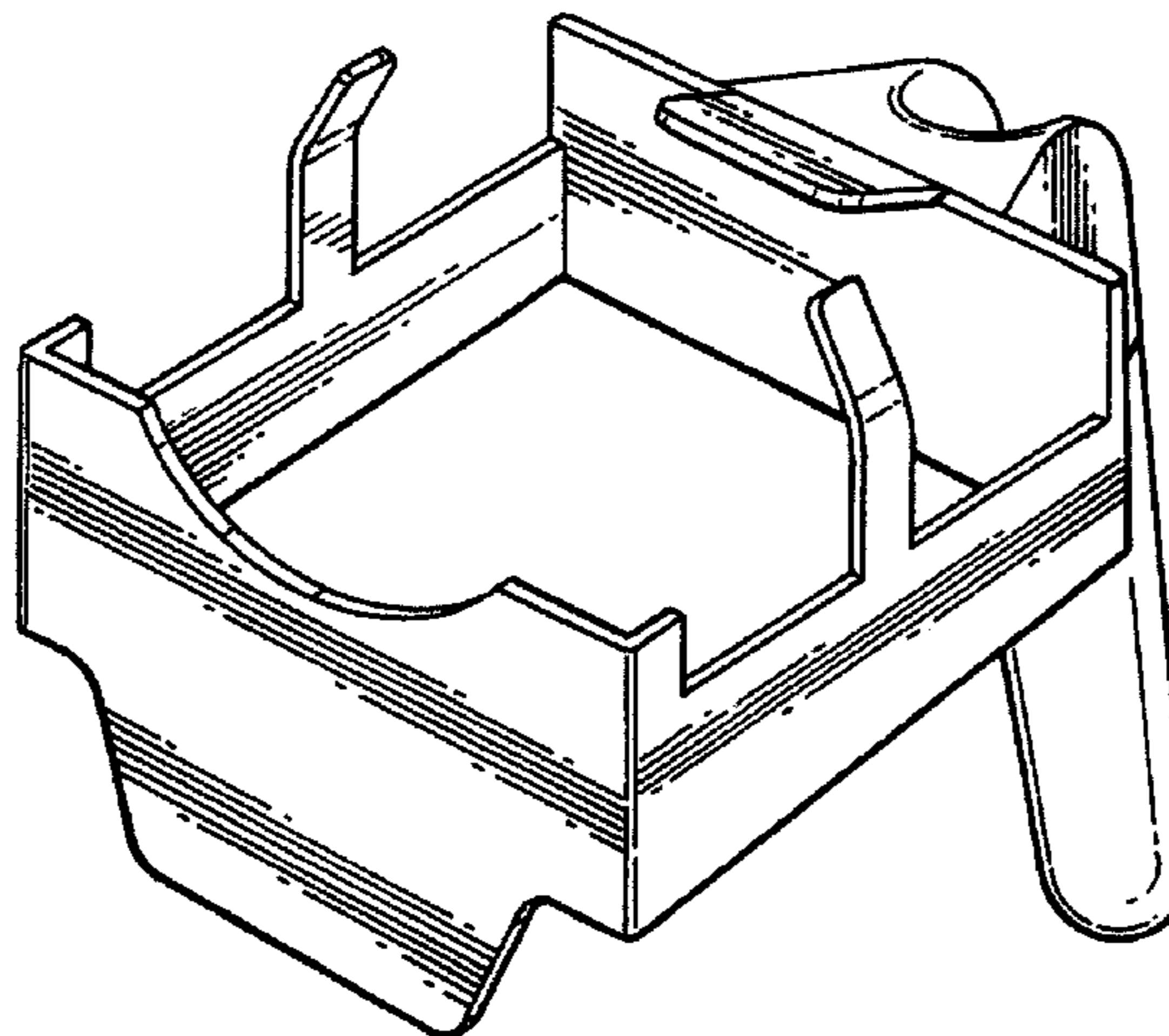
FIG. 18 is a top elevational view of the third variation;

FIG. 19 is a rear elevational view of the third variation;

FIG. 20 is a bottom elevational view of the third variation;  
and,

FIG. 21 is a perspective view of the third variation showing  
the handle for juice and milk cartons in use; the broken lines  
depict environmental structure for illustrative purposes only  
and form no part of the claimed design.

**1 Claim, 12 Drawing Sheets**



# US D579,727 S

Page 2

---

## U.S. PATENT DOCUMENTS

D203,403 S 1/1966 Martini  
3,261,635 A 7/1966 Talay  
D215,328 S 9/1969 Fera  
3,615,115 A 10/1971 Simms  
D265,279 S 7/1982 Wright  
4,379,578 A 4/1983 Schuler  
4,842,158 A 6/1989 Reyes, Jr.

4,964,536 A \* 10/1990 Vestering ..... 220/737  
4,966,303 A 10/1990 Jones  
5,484,182 A 1/1996 Meisner  
D370,384 S 6/1996 Shamis  
6,241,415 B1 6/2001 Stark  
D478,007 S 8/2003 Hayer  
D544,760 S 6/2007 Croteau et al.

\* cited by examiner

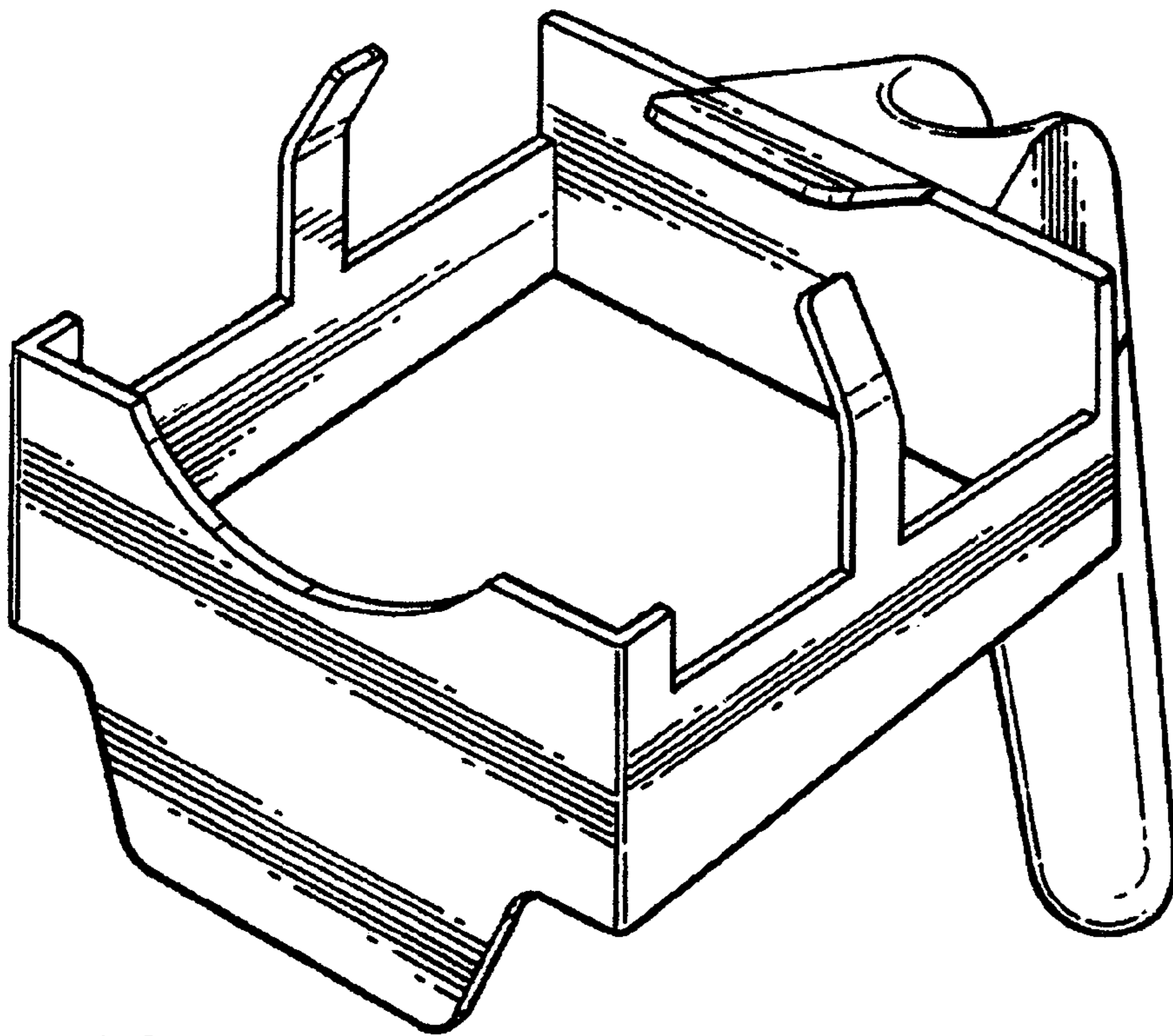


FIG. 1.

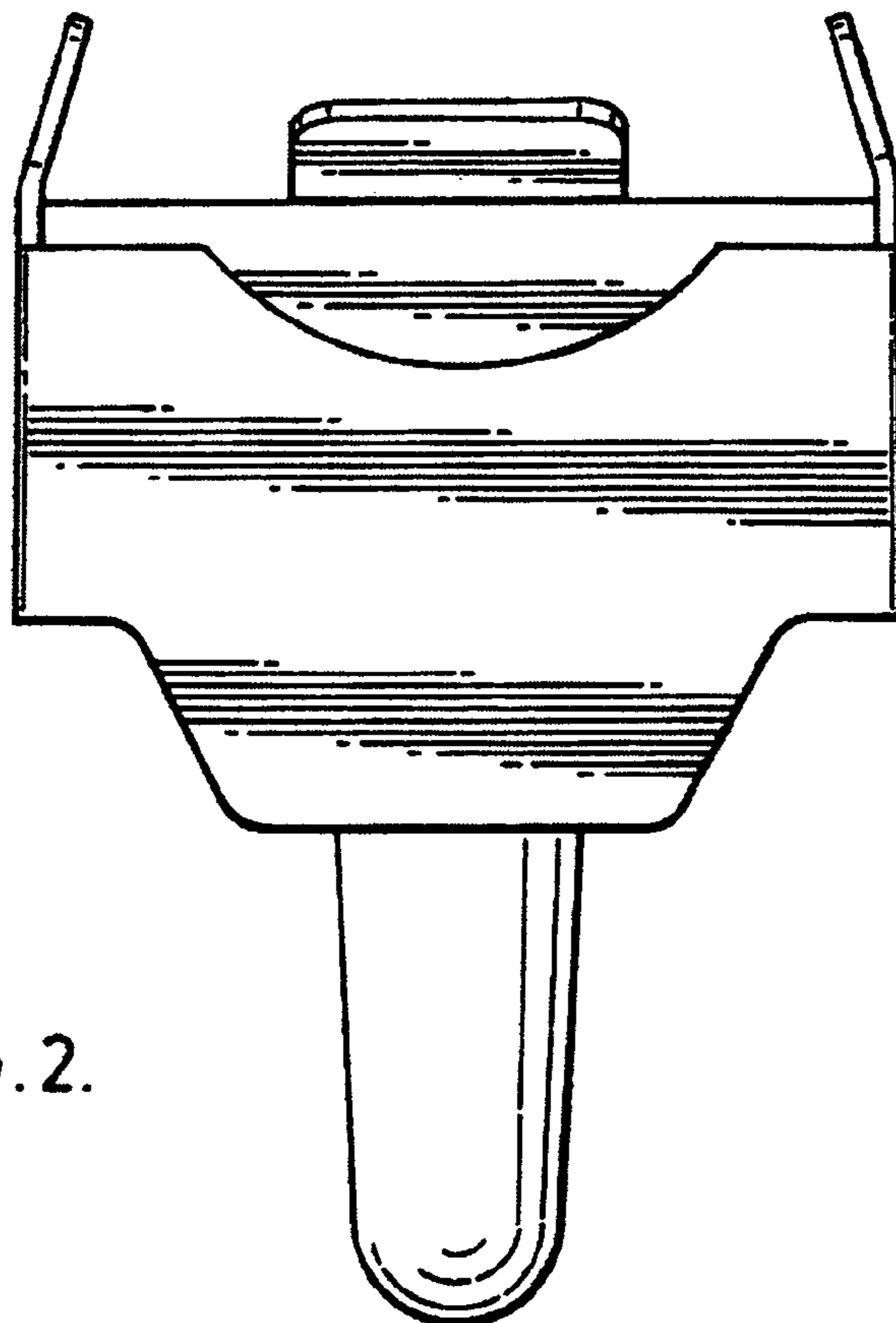


FIG. 2.

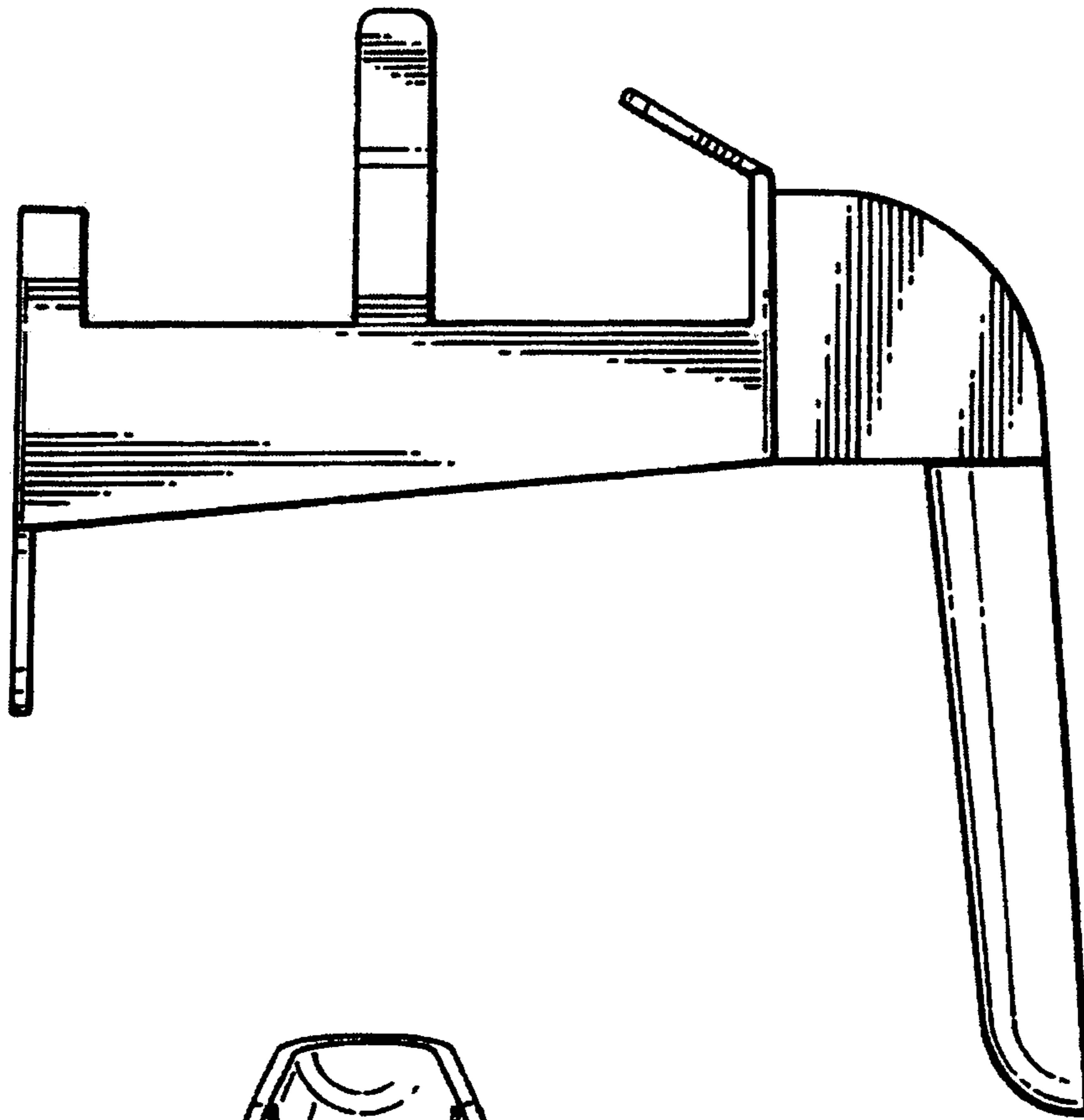


FIG. 3.

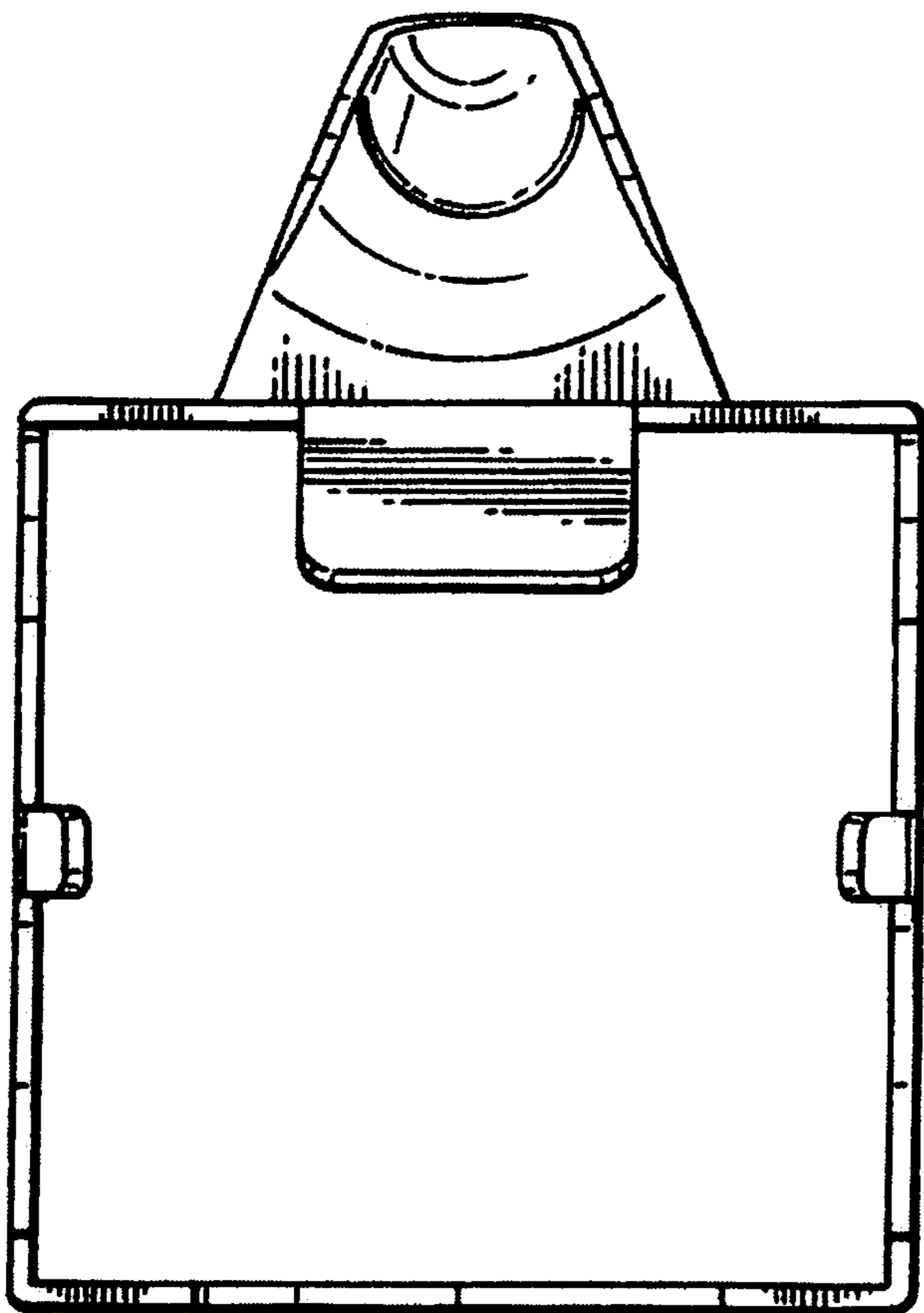


FIG. 4.



FIG. 5.

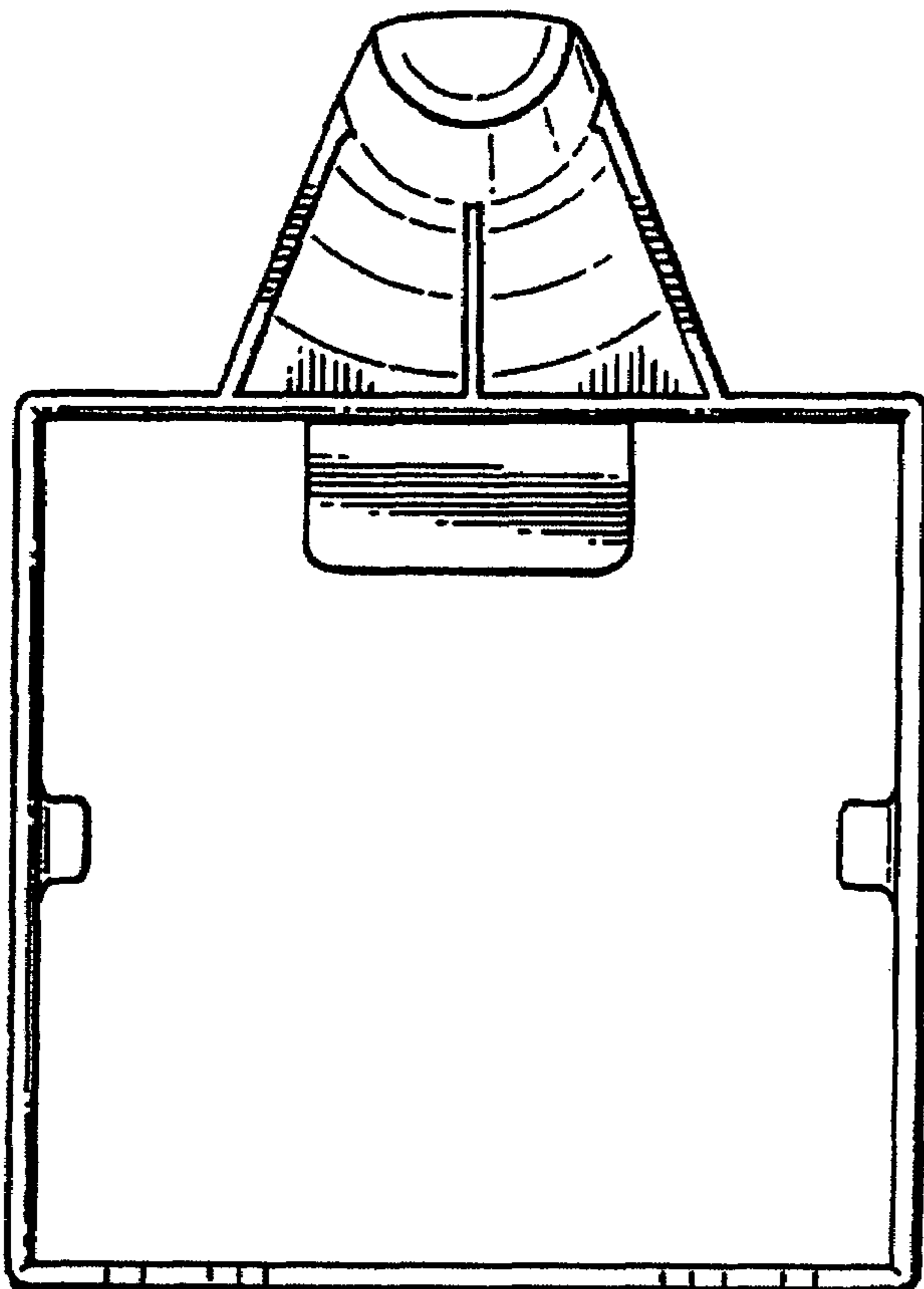
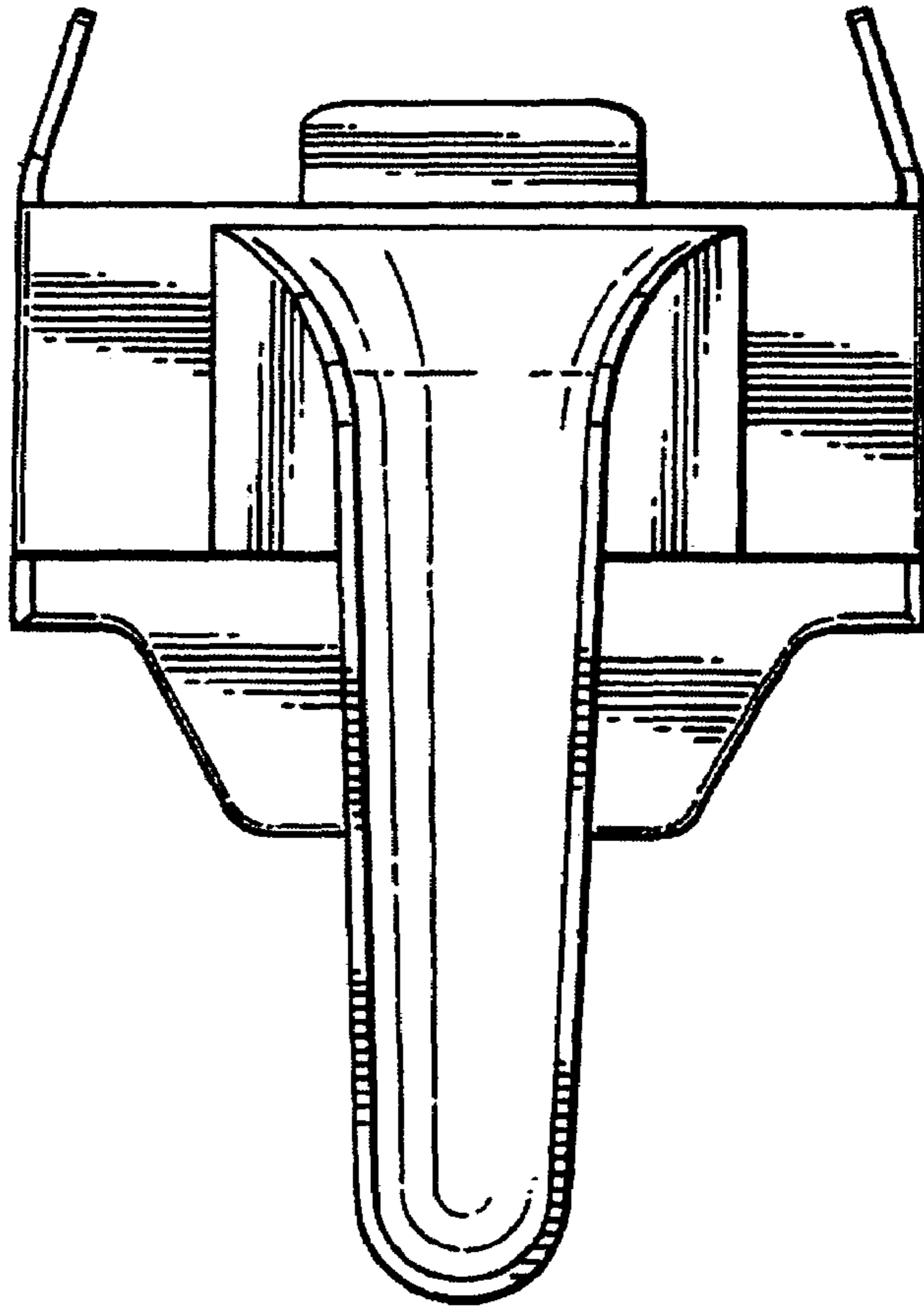
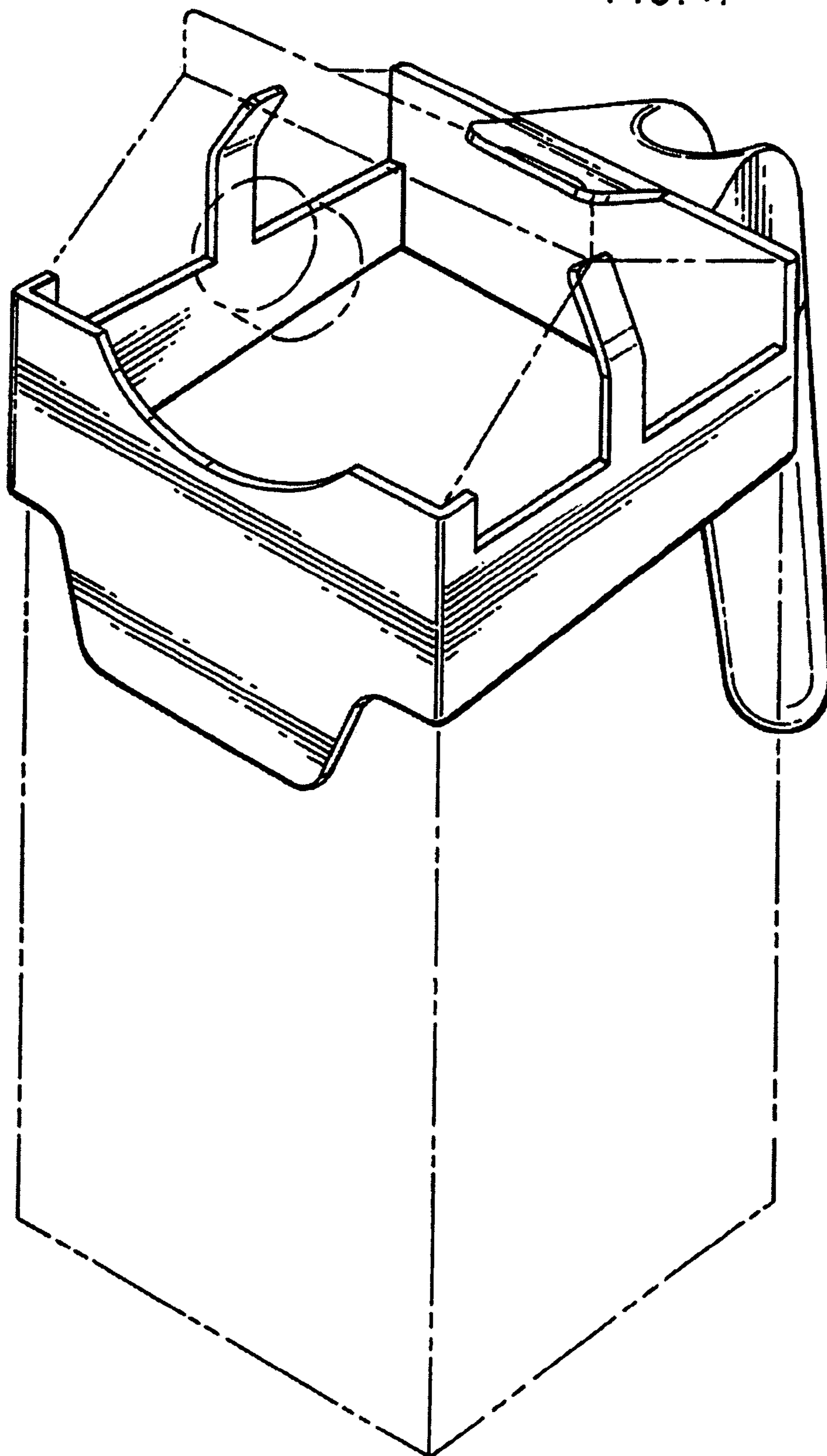


FIG. 6.

FIG. 7.



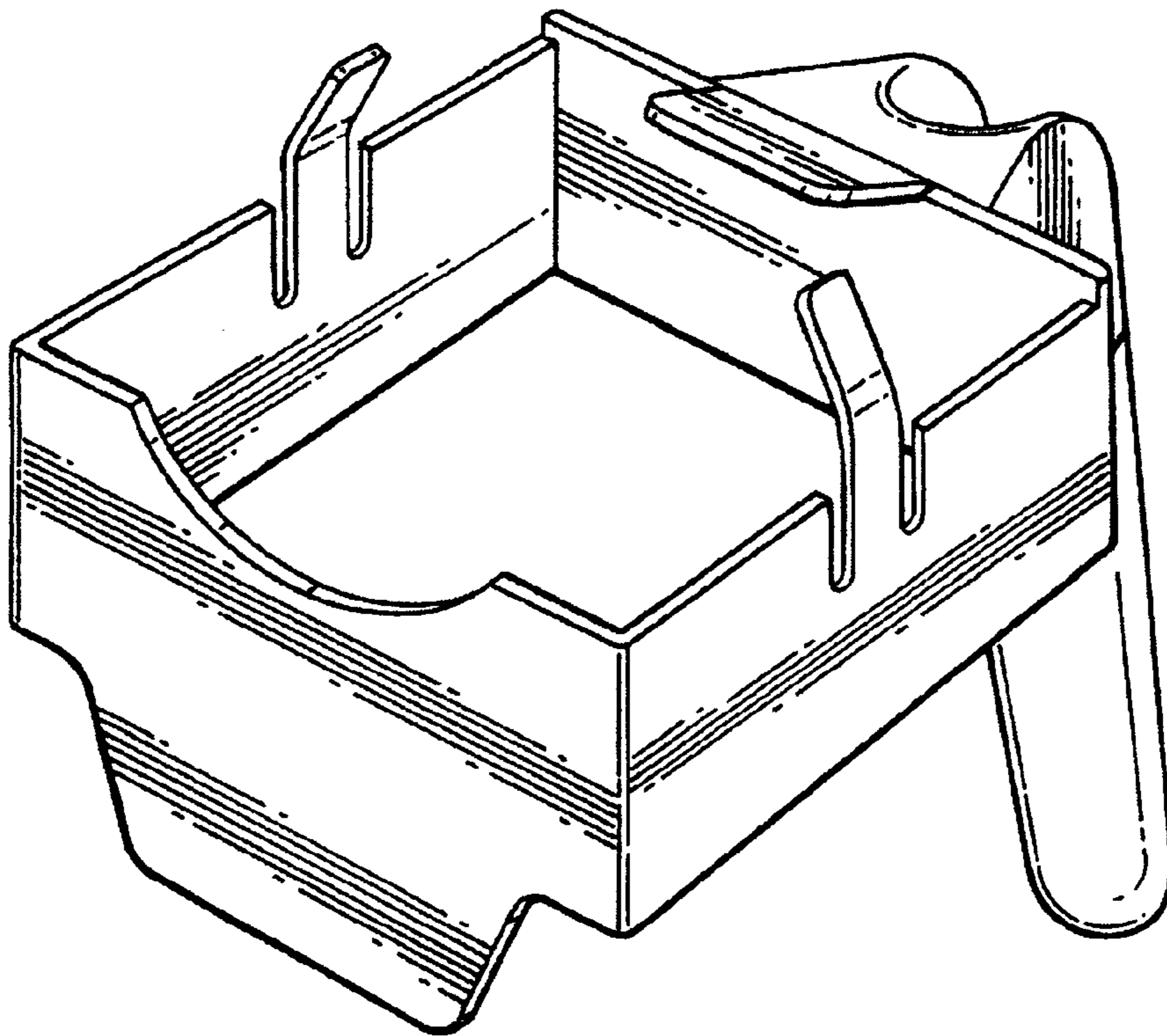


FIG. 8.

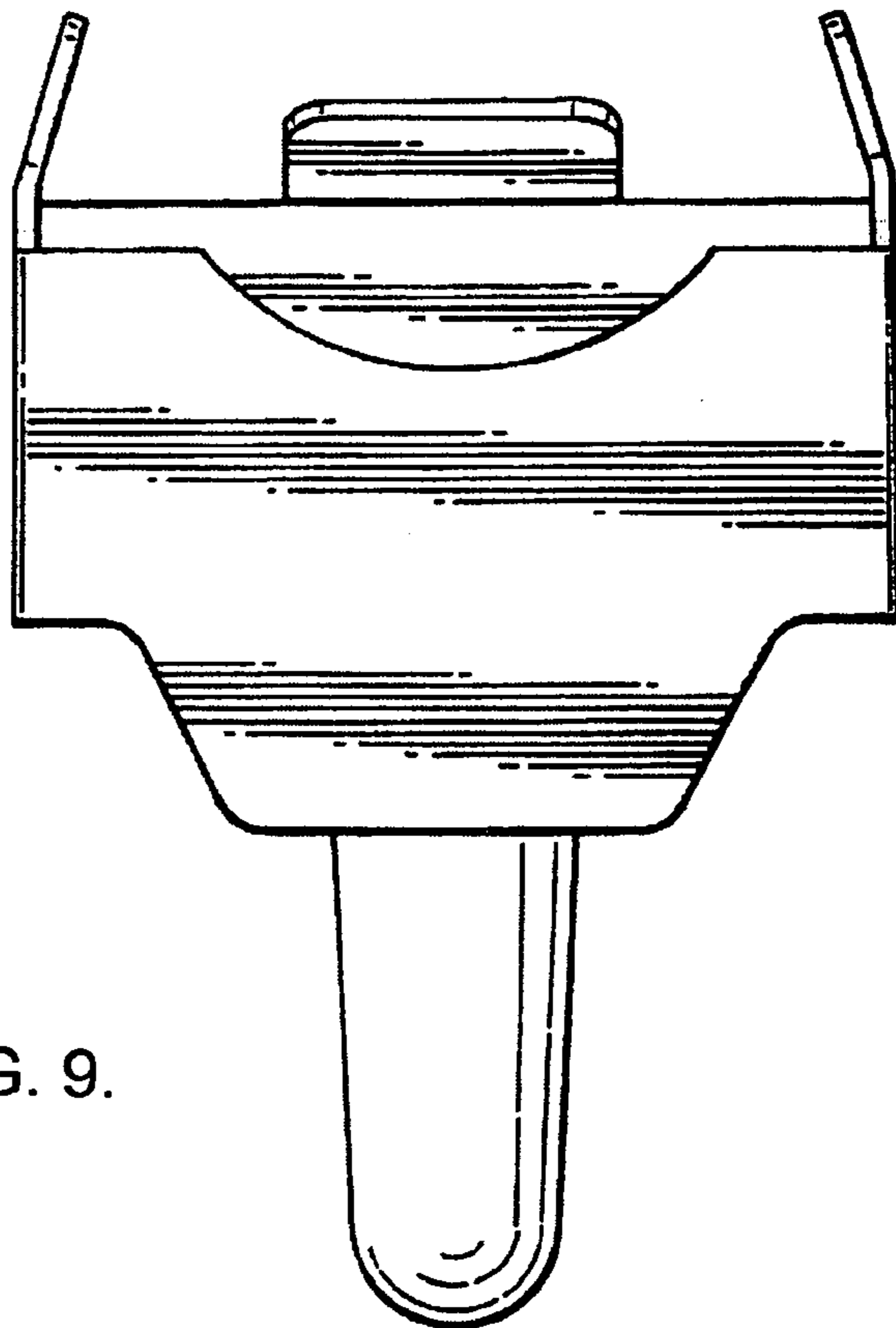


FIG. 9.

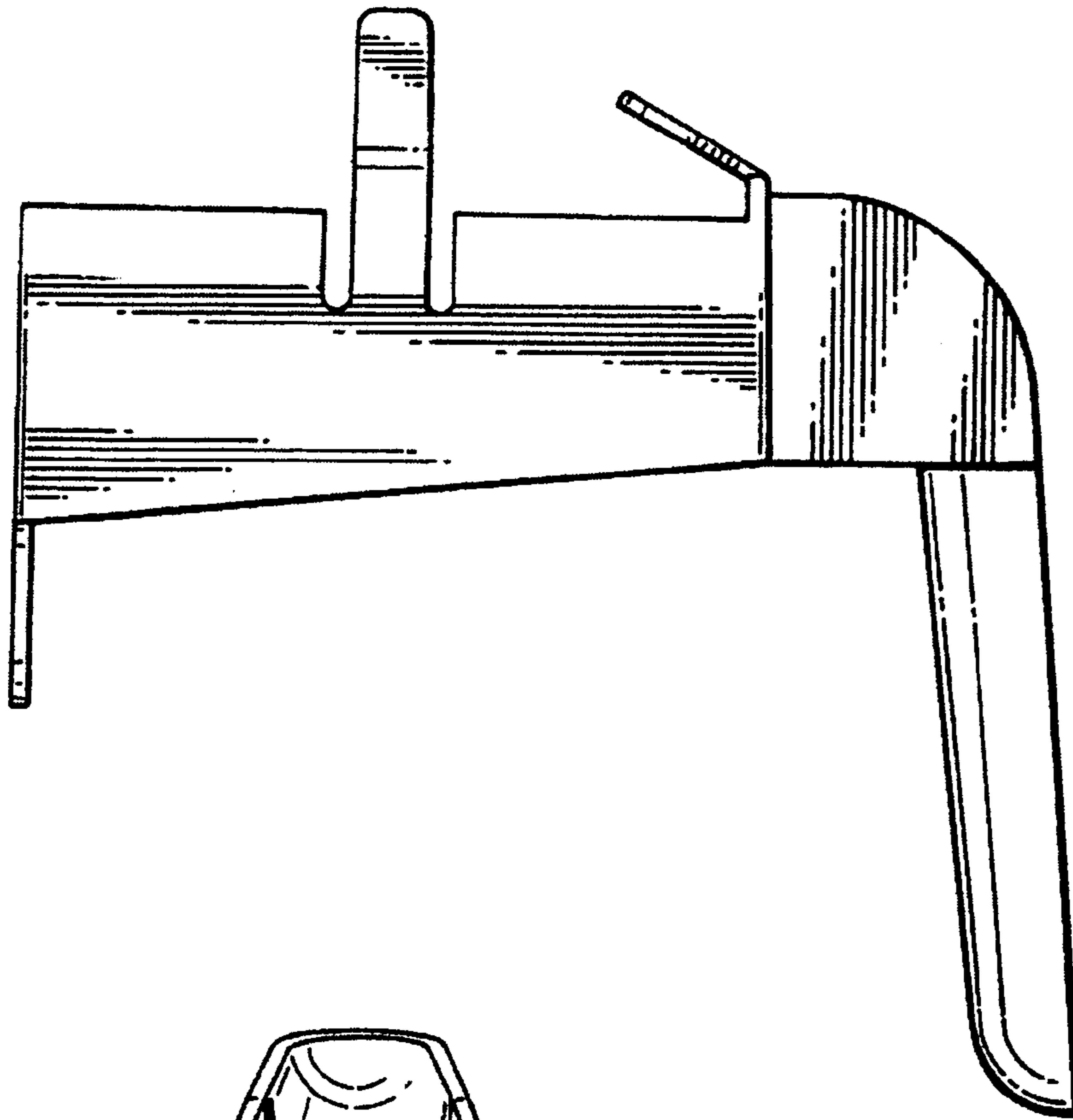


FIG. 10.

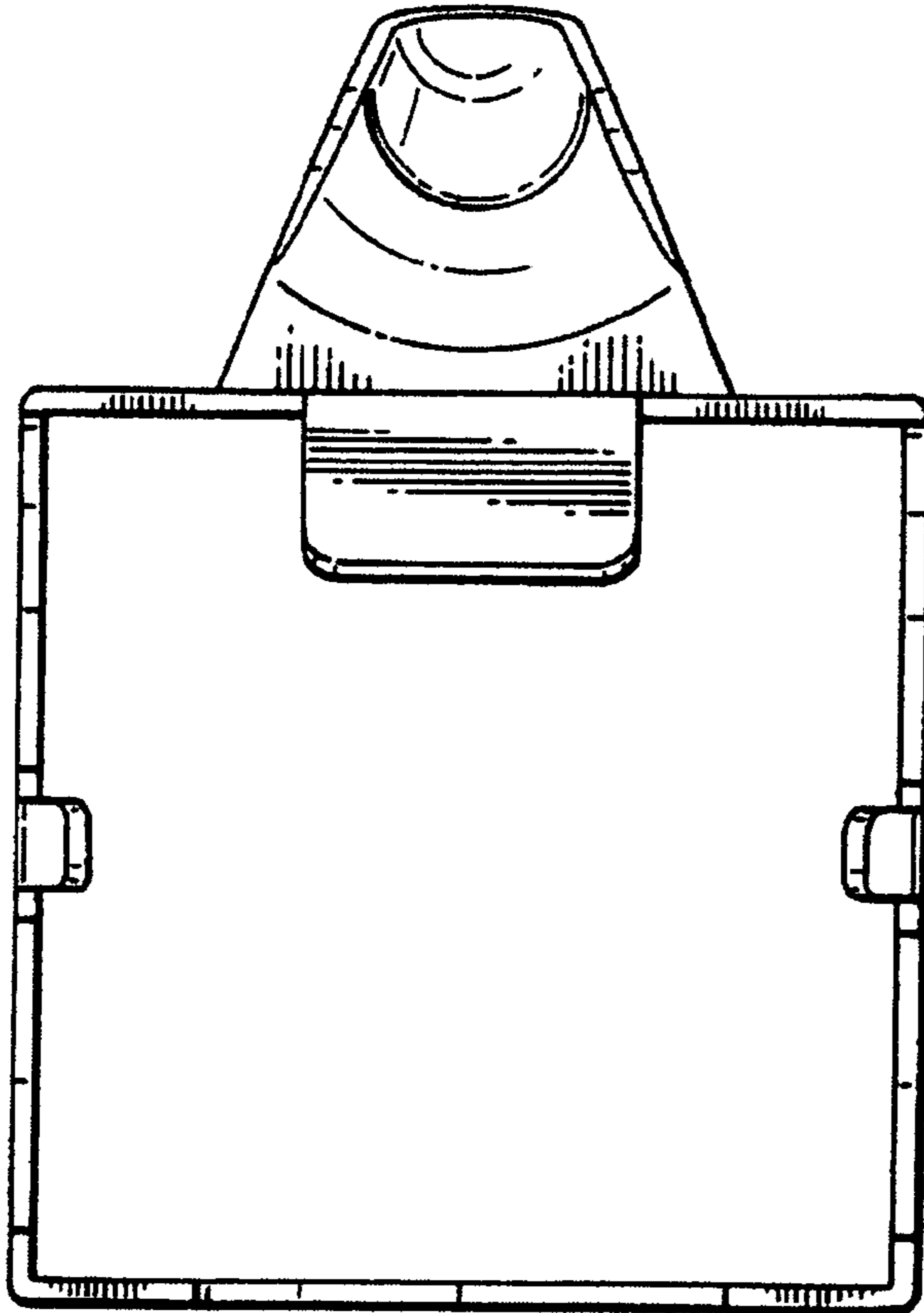


FIG. 11.



FIG. 12.

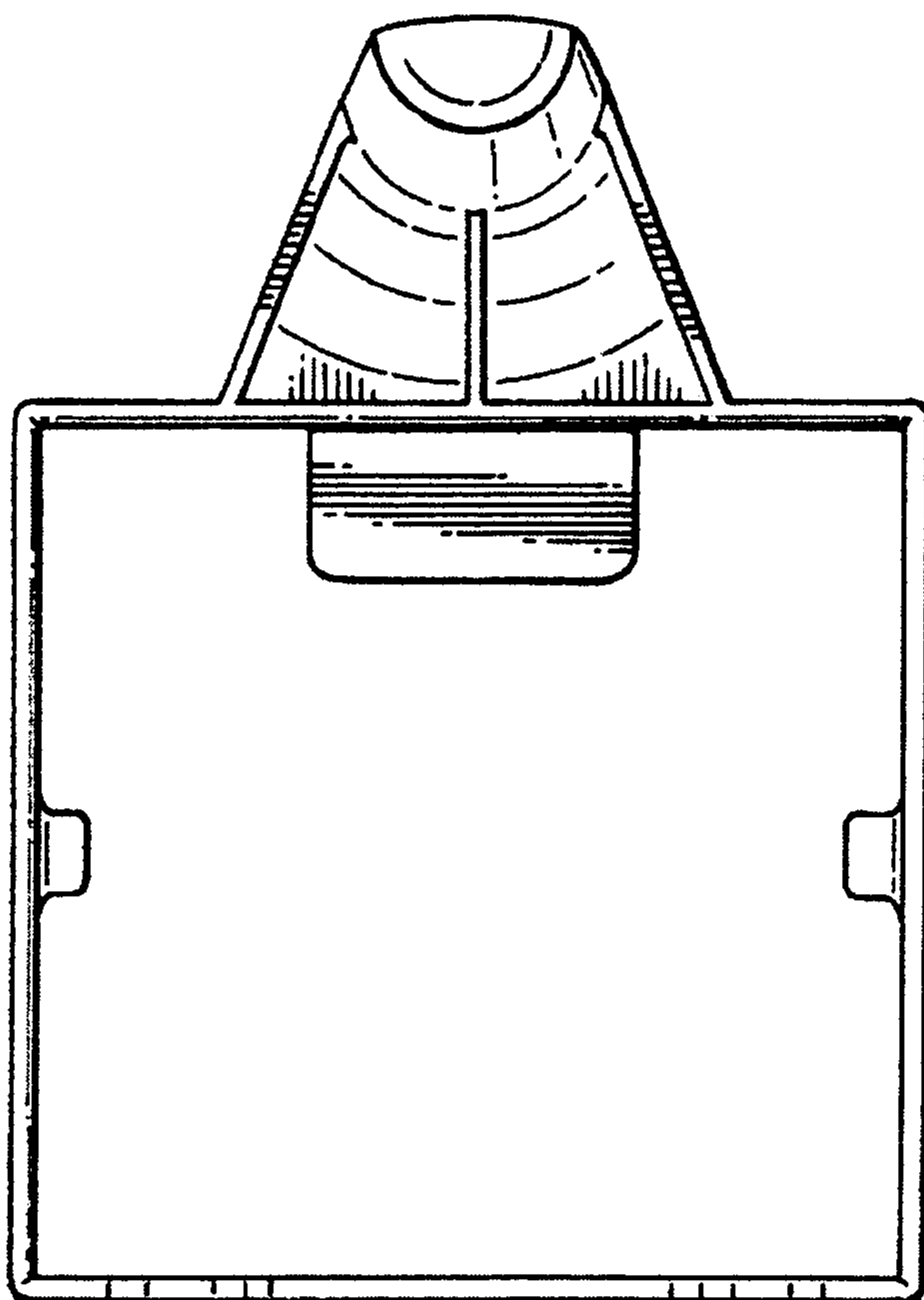
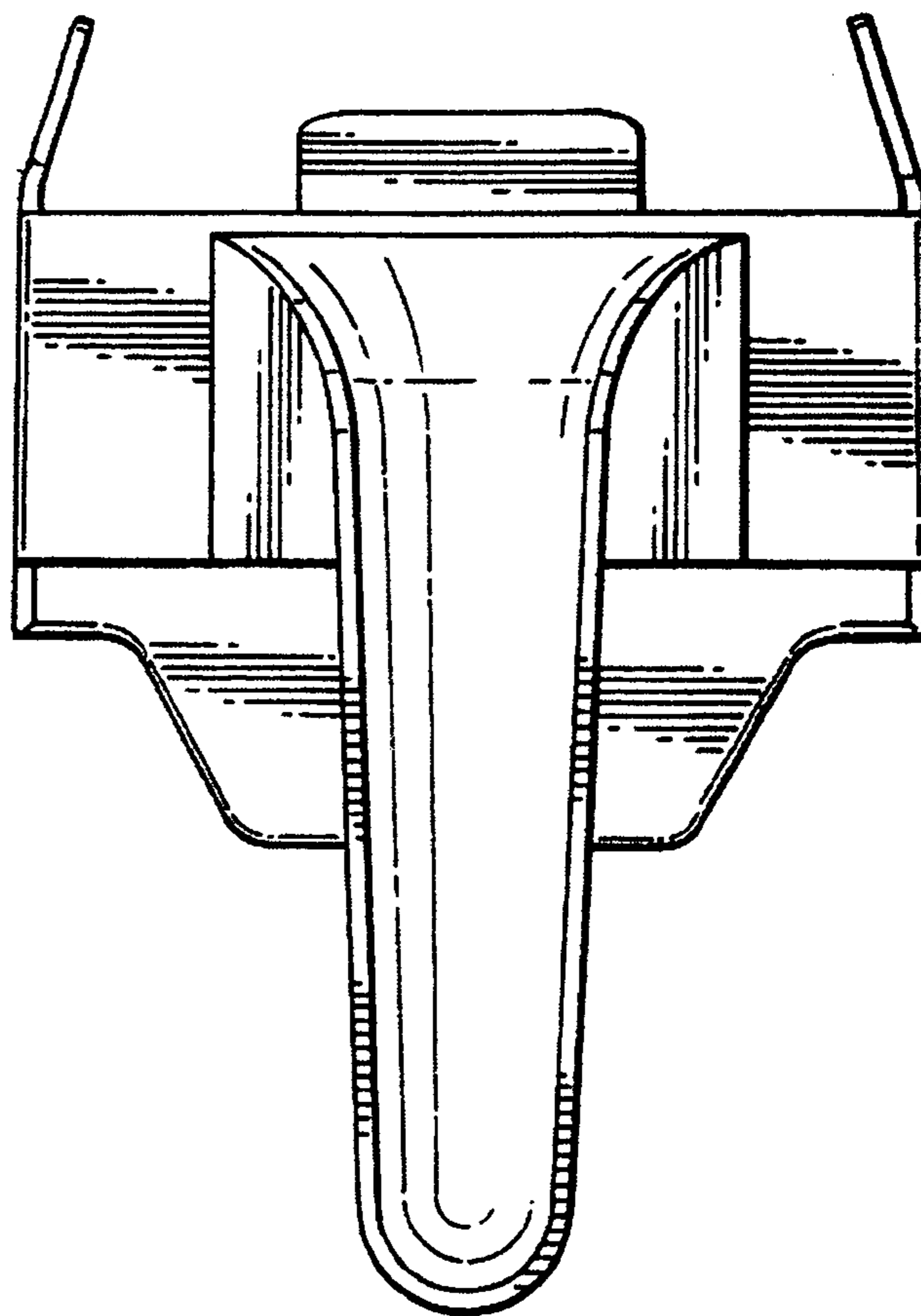
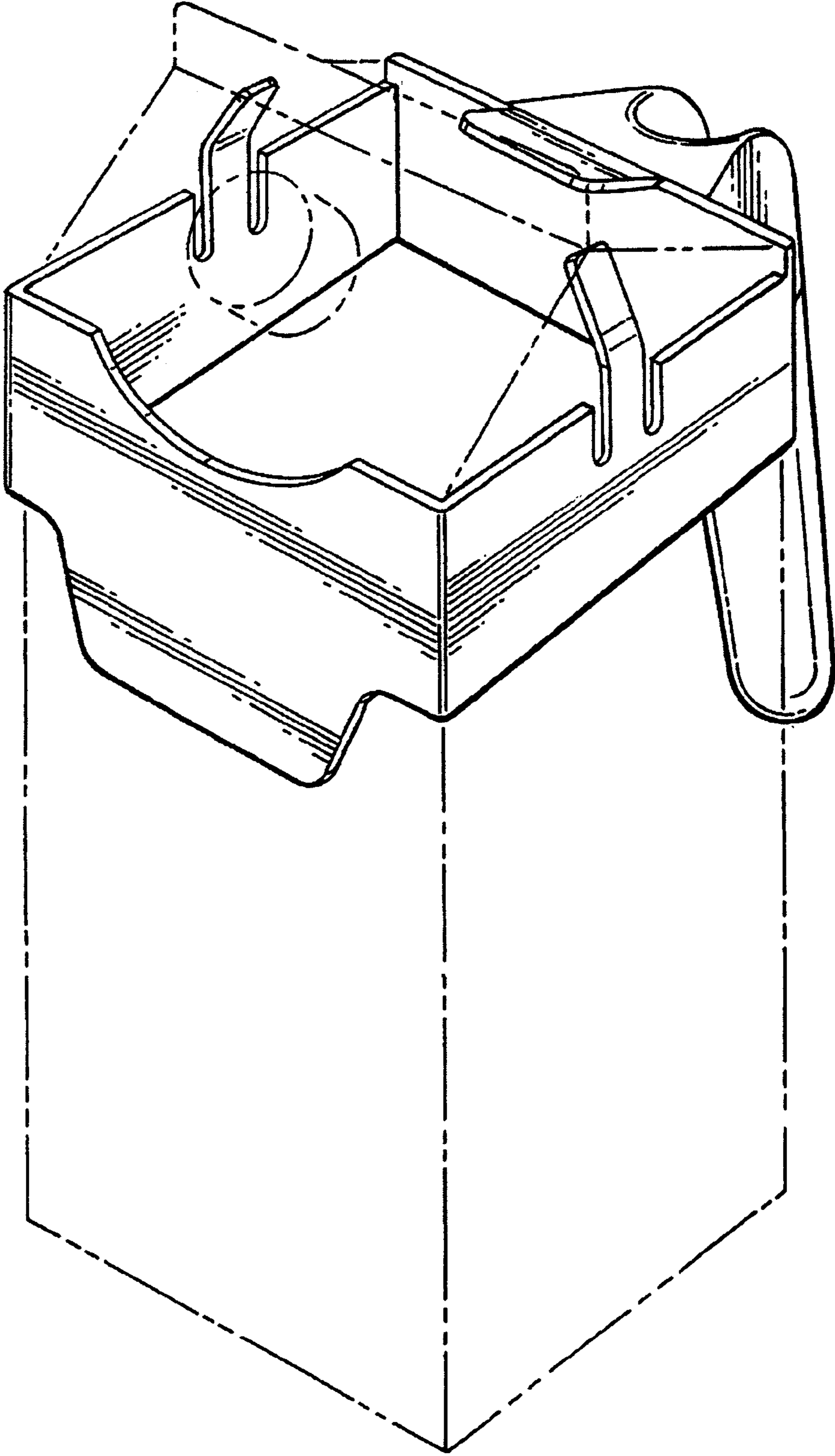


FIG. 13.

FIG. 14.



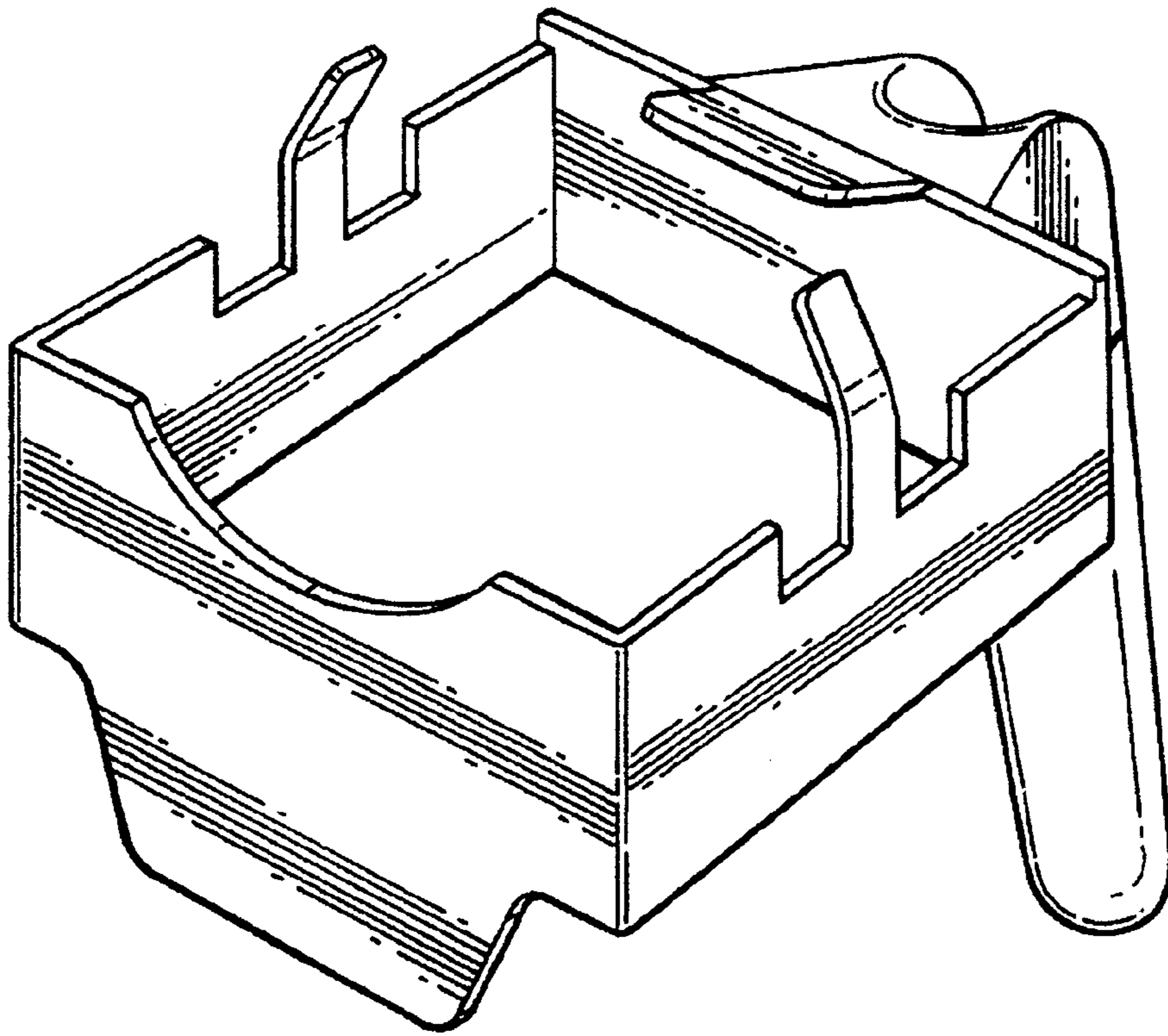


FIG. 15.

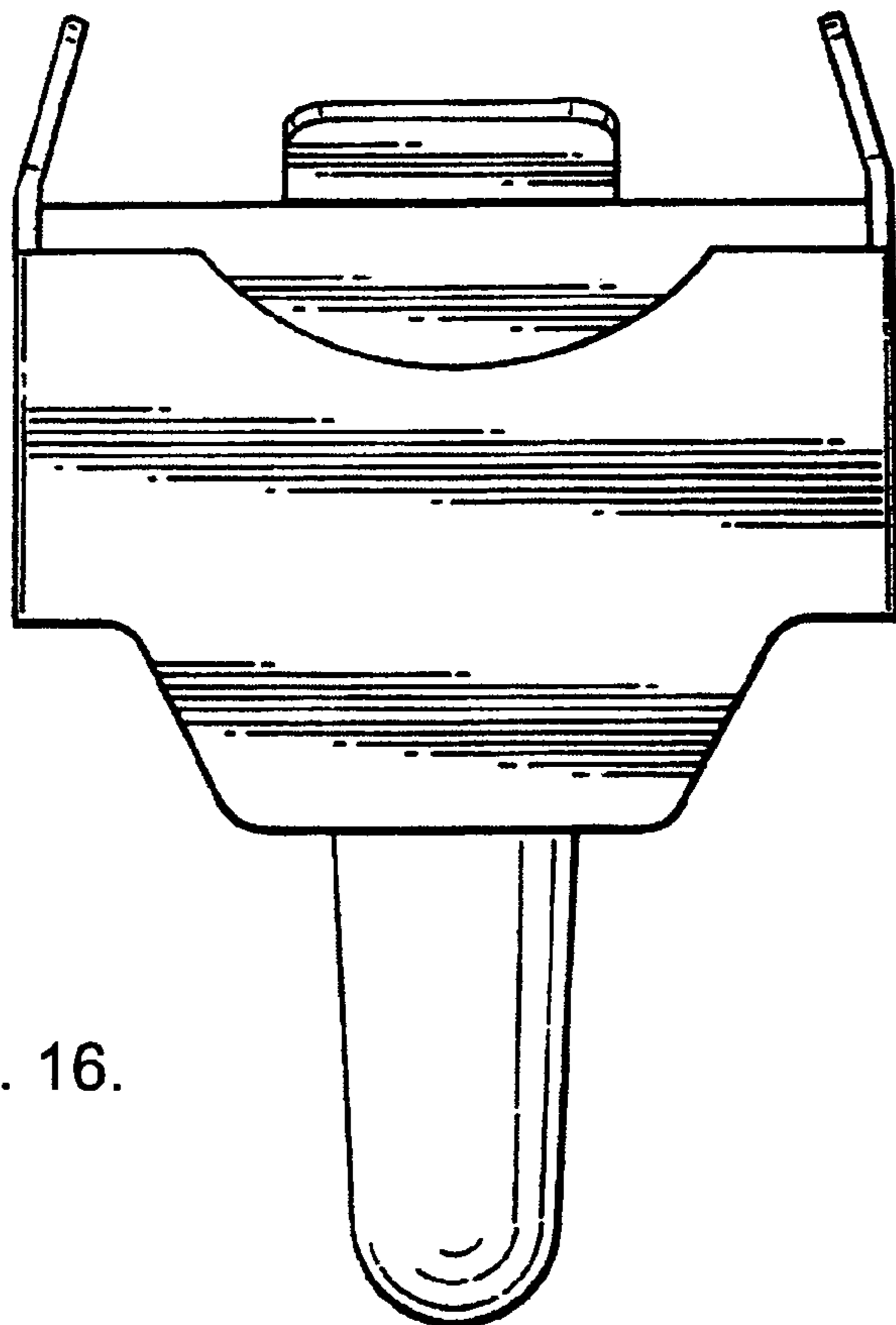


FIG. 16.

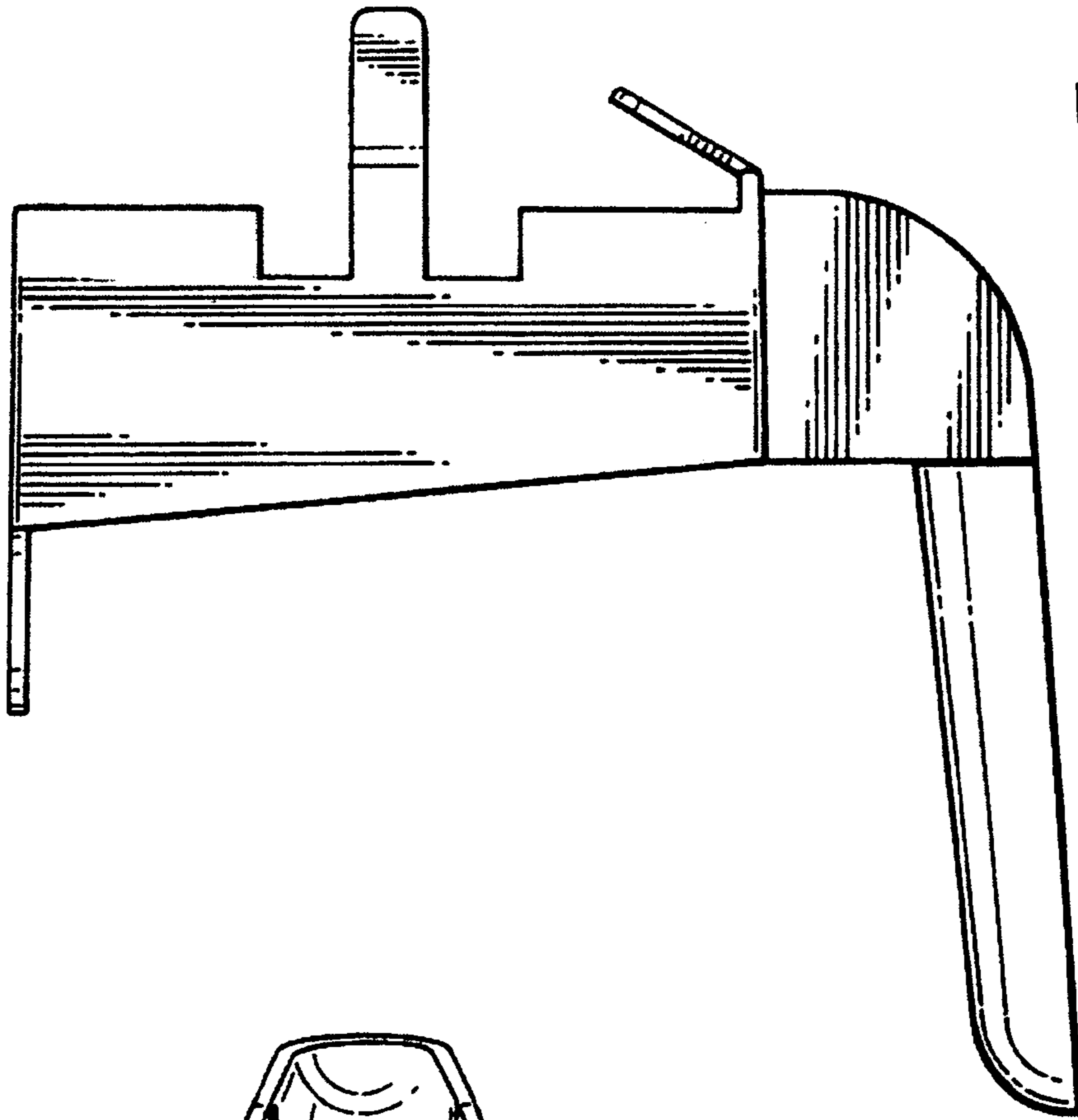


FIG. 17.

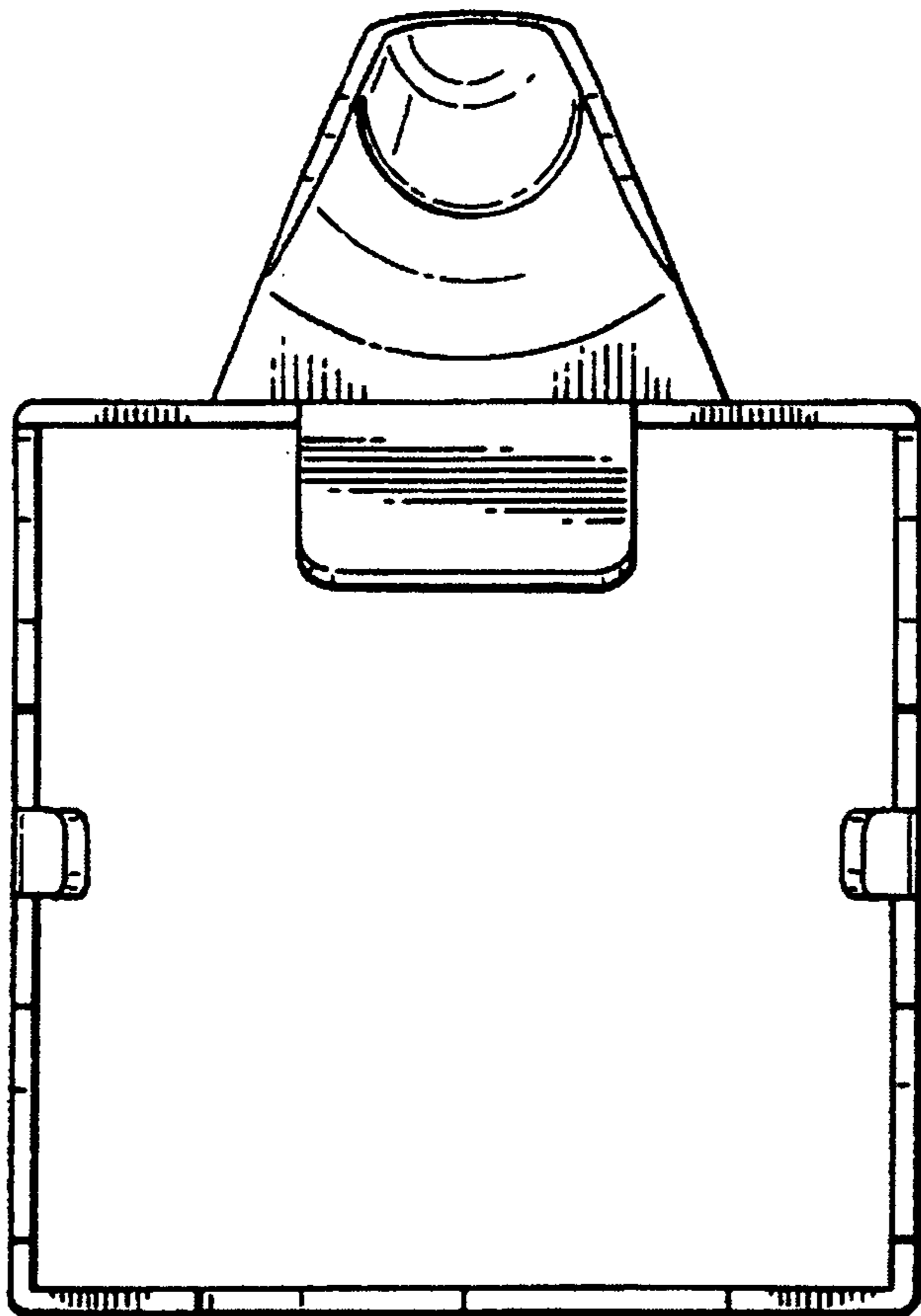


FIG. 18.



FIG. 19.

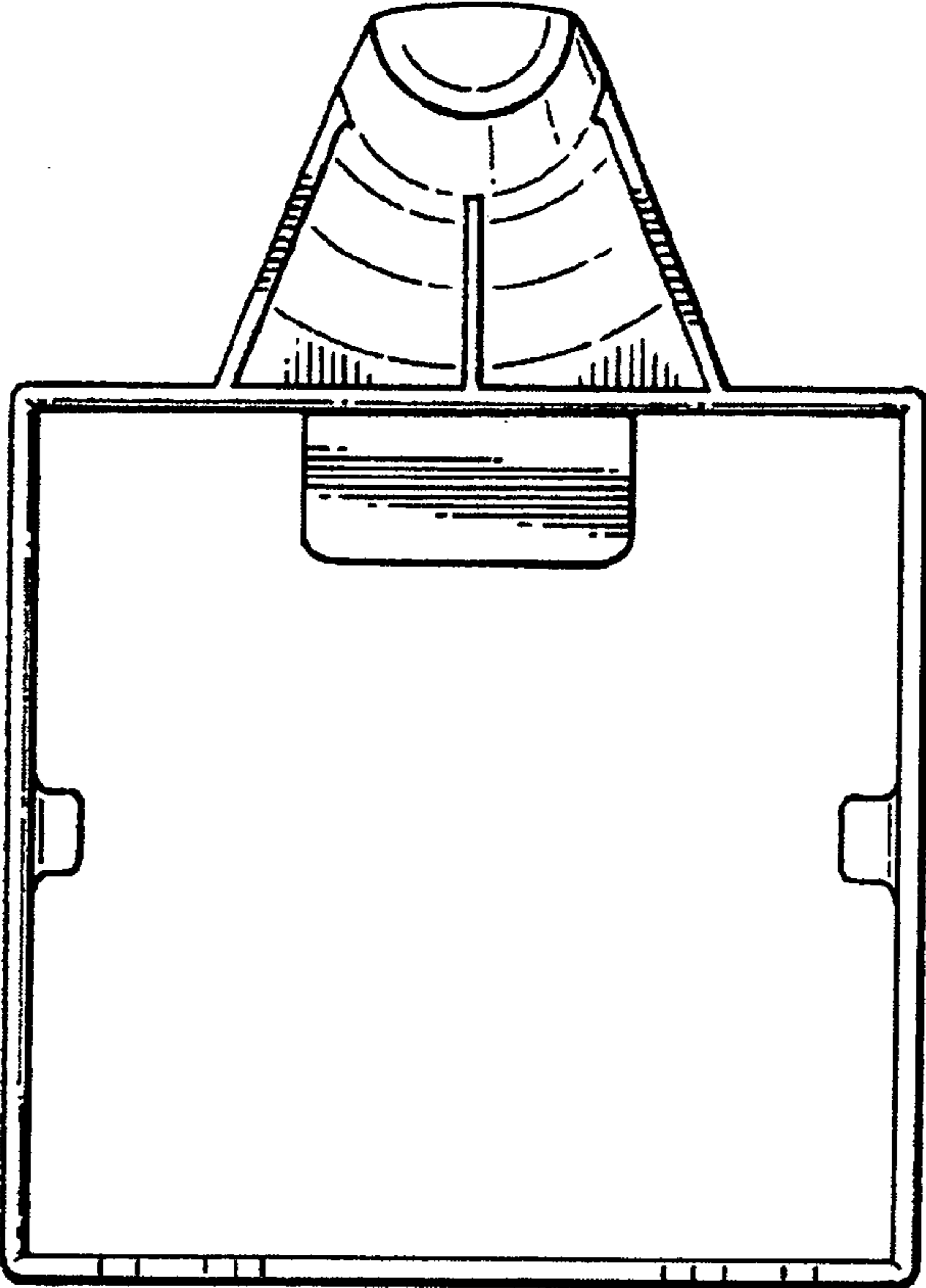
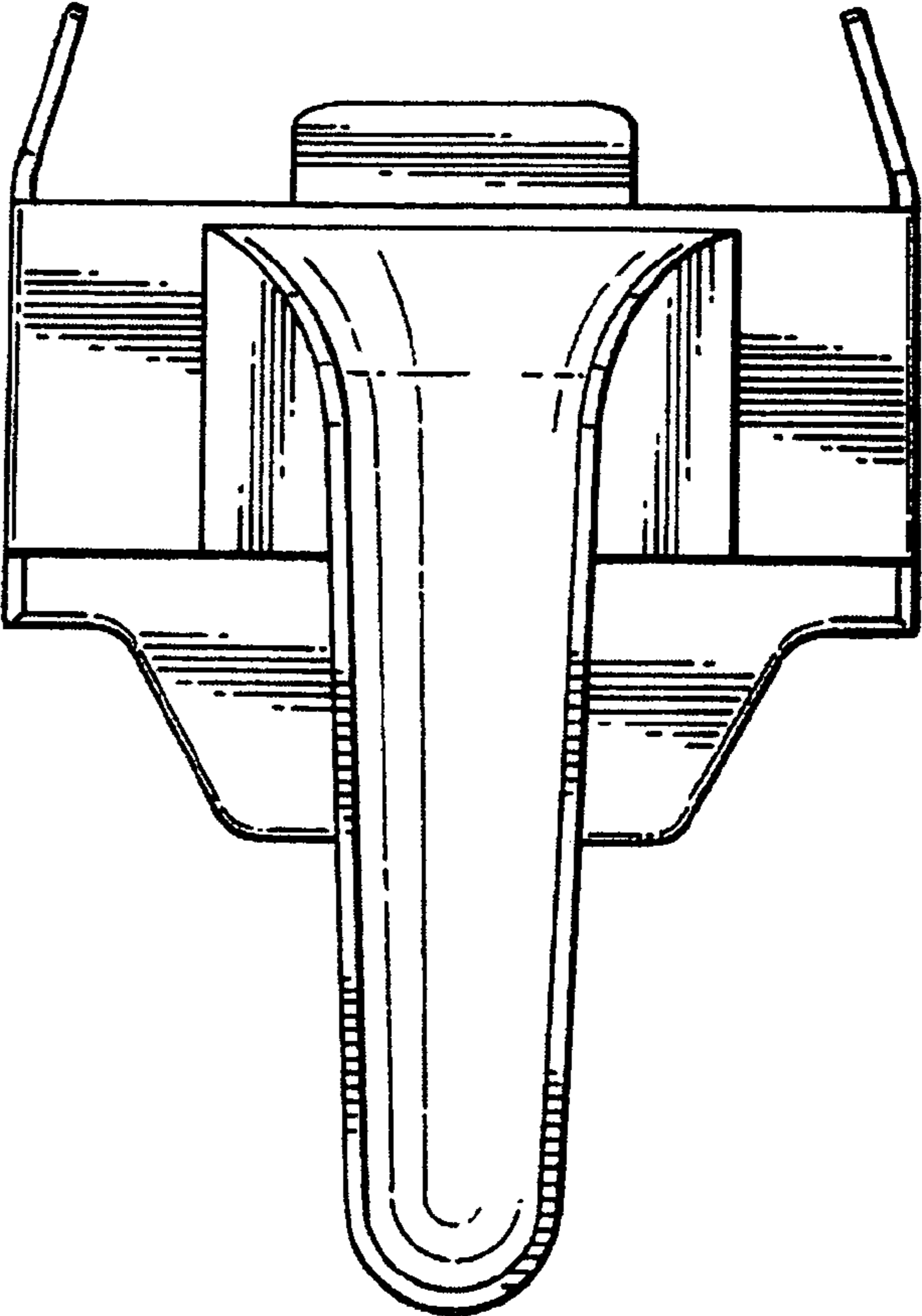


FIG. 20.

FIG. 21.

