



US00D579719S

(12) **United States Design Patent**  
**King et al.**

(10) **Patent No.:** **US D579,719 S**  
(45) **Date of Patent:** **\*\* Nov. 4, 2008**

(54) **DISPOSABLE ALUMINUM COOKING PAN FOR GRILL, ETC.**

(76) Inventors: **Yvonne W King**, P.O. Box 1574, Voorhees, NJ (US) 08043; **John Schiavo**, Justa La., Cherry Hill, NJ (US) 08034

(\*\*) Term: **14 Years**

(21) Appl. No.: **29/317,180**

(22) Filed: **Apr. 23, 2008**

(51) **LOC (8) Cl.** ..... **07-02**

(52) **U.S. Cl.** ..... **D7/409**

(58) **Field of Classification Search** ..... D7/323, D7/332, 334, 338, 352-361, 393-395, 402, D7/407-410, 688; D9/456; D23/396; 99/349, 99/372, 422, 425-426, 444-446, 449-450; 206/587; 219/730; 220/573.1; 426/523; 429/34

See application file for complete search history.

(56) **References Cited**

**U.S. PATENT DOCUMENTS**

3,559,866	A *	2/1971	Olson, Sr.	206/587
D229,532	S *	12/1973	Colato	D7/409
4,121,510	A *	10/1978	Frederick	99/425
D311,339	S *	10/1990	Weed	D9/456
D312,125	S *	11/1990	Epner et al.	D23/386
5,105,725	A *	4/1992	Haglund	99/446
5,242,704	A *	9/1993	Prestigiacomio	426/523
D340,835	S *	11/1993	Lupa et al.	D7/409

D344,434	S *	2/1994	Endara	D7/409
5,310,977	A *	5/1994	Stenkamp et al.	219/730
D363,410	S *	10/1995	Hazen	D7/359
5,467,691	A *	11/1995	Koziol	99/340
D364,995	S *	12/1995	Koziol	D7/409
D365,495	S *	12/1995	O'Higgins	D7/359
D404,968	S *	2/1999	Lin	D7/409
D414,074	S *	9/1999	Jalayer	D7/402
6,481,343	B1 *	11/2002	Rigney et al.	99/396
D532,655	S *	11/2006	Elwell et al.	D7/409
D566,556	S *	4/2008	Baker et al.	D9/456
2003/0022052	A1 *	1/2003	Kearl	429/34

\* cited by examiner

*Primary Examiner*—Caron D. Veynar  
*Assistant Examiner*—Ricky Pham

(57) **CLAIM**

The ornamental design for a disposable aluminum cooking pan for grill, etc., as shown and described.

**DESCRIPTION**

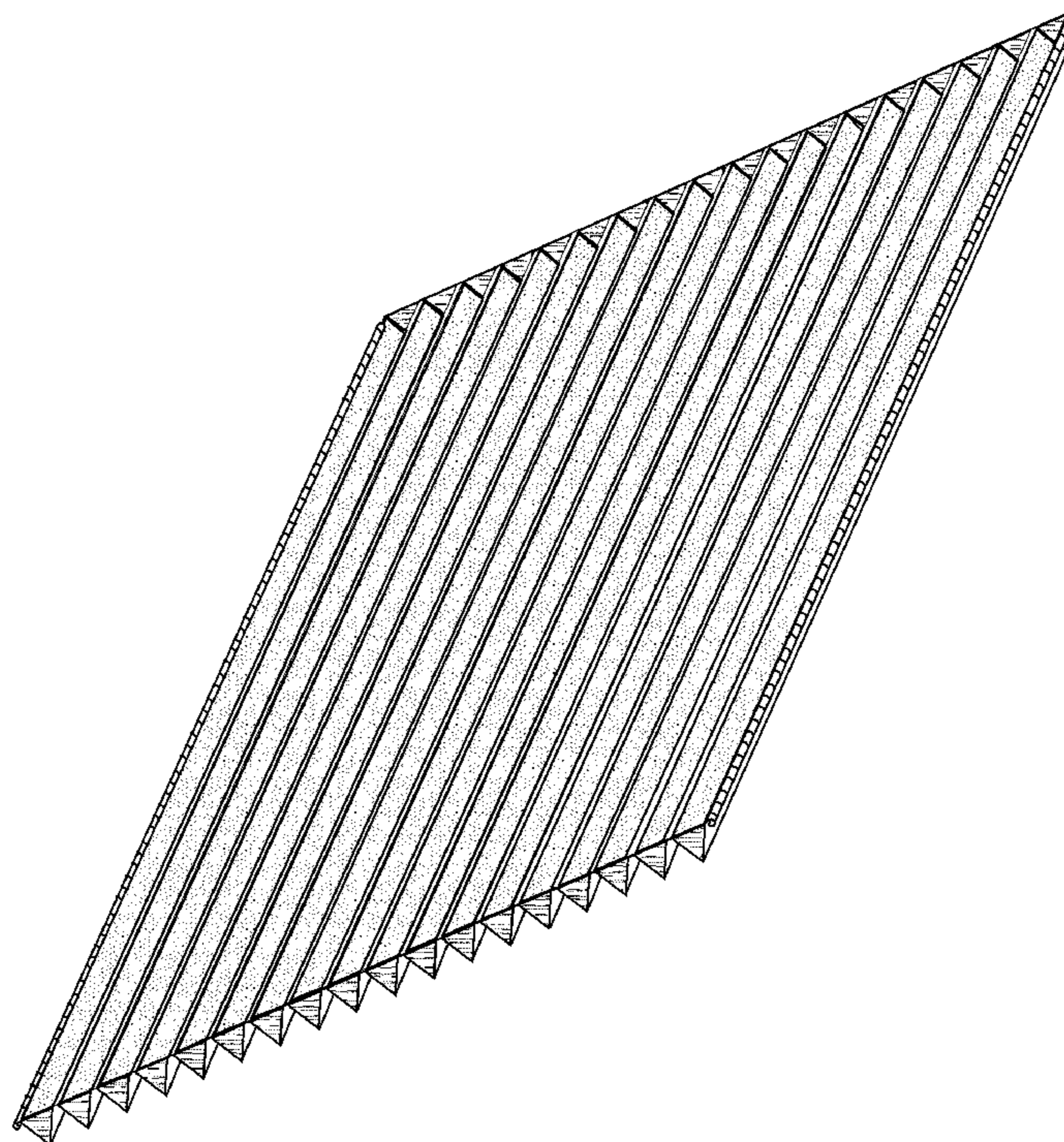
FIG. 1 is a perspective view of a disposable aluminum cooking pan for grill, etc., showing my new design;

FIG. 2 is a front elevational view of the invention; the rear elevational view being mirror image thereof;

FIG. 3 is a left-side elevational view of the invention, the right-side elevational view being a mirror image thereof; and,

FIG. 4 is a top plan view of the invention, the bottom plan view being a mirror image thereof.

**1 Claim, 2 Drawing Sheets**



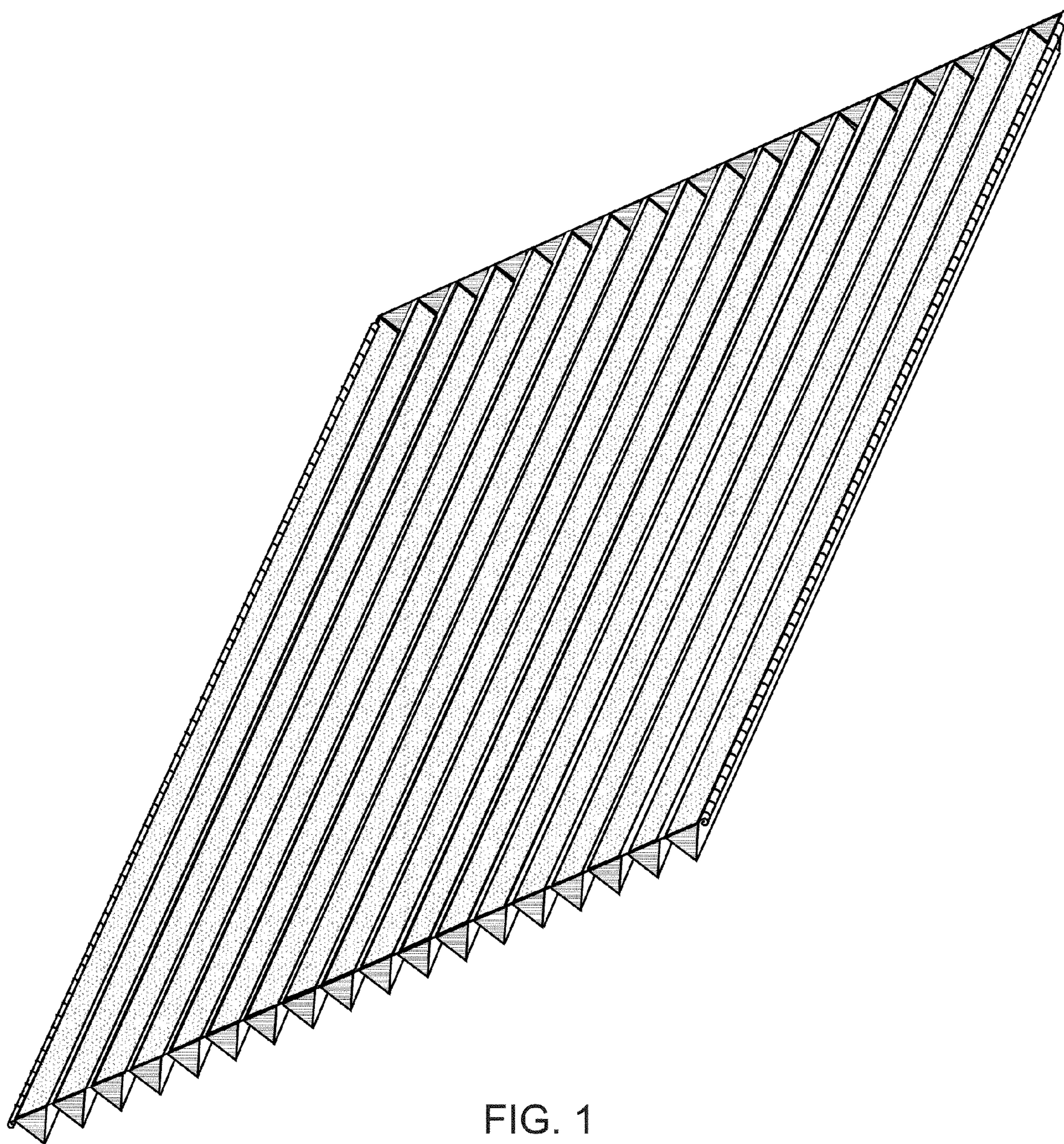


FIG. 1



FIG. 2

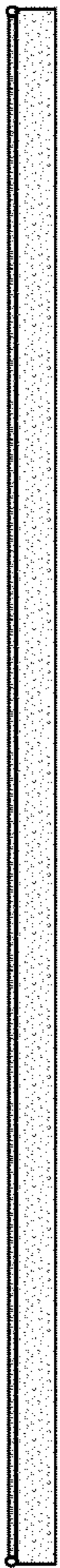


FIG. 3

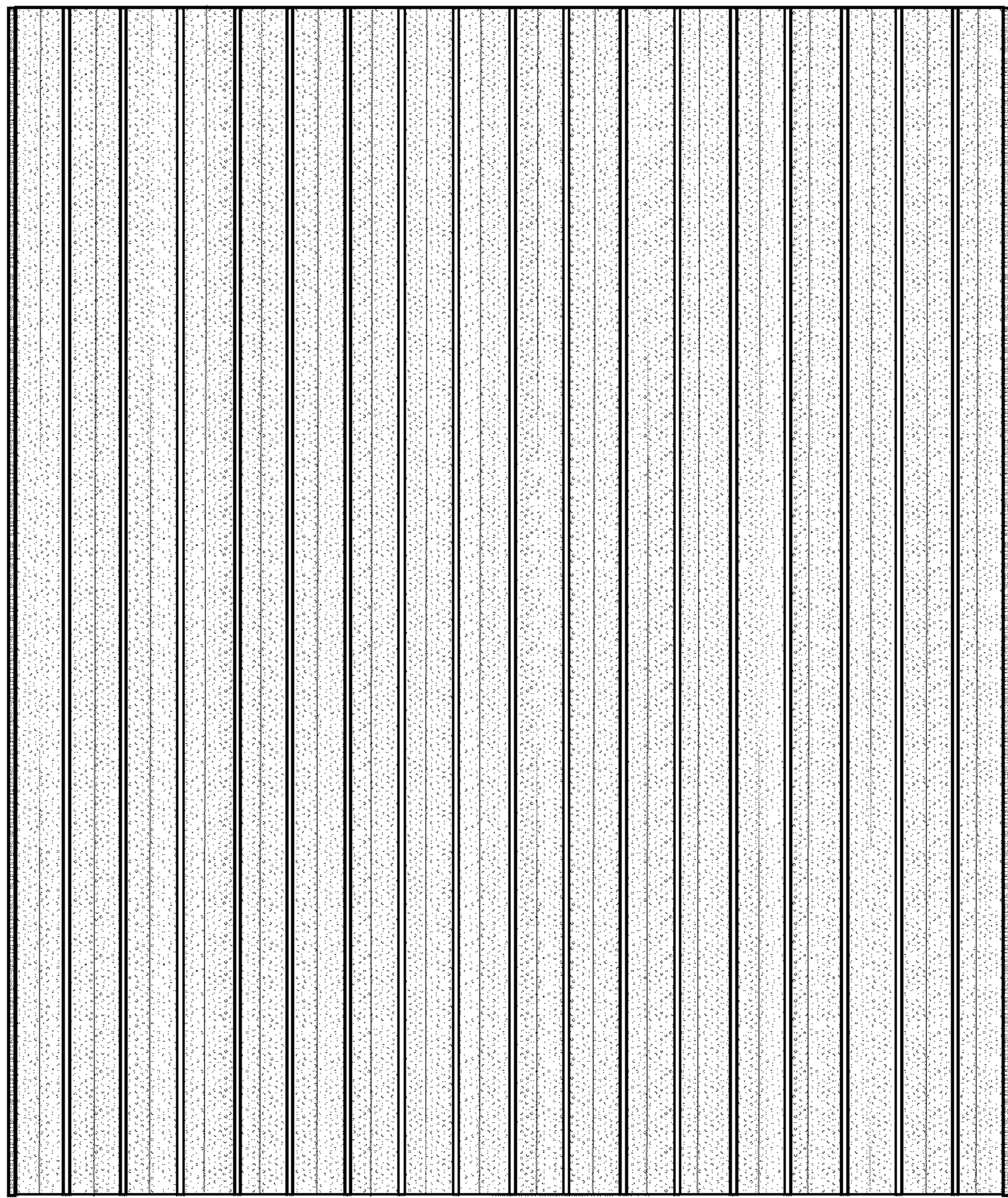


FIG. 4