



US00D579718S

(12) **United States Design Patent**
Borovicka et al.

(10) **Patent No.:** **US D579,718 S**
(45) **Date of Patent:** **** Nov. 4, 2008**

(54) **BARBECUE GRILL LIGHT**

(75) Inventors: **Cory Thomas Borovicka**, San Francisco, CA (US); **Charles Adams**, Berkeley, CA (US)

(73) Assignee: **Charcoal Companion Incorporated**, Emeryville, CA (US)

(**) Term: **14 Years**

(21) Appl. No.: **29/293,665**

(22) Filed: **Dec. 5, 2007**

(51) **LOC (8) Cl.** **07-01**

(52) **U.S. Cl.** **D7/402**

(58) **Field of Classification Search** D7/213,
D7/402-409; D26/37, 39, 44, 57, 73, 60-65;
126/25 R, 39 BA, 41 R; 362/171-174, 183-208,
362/397-398, 473-476
See application file for complete search history.

(56) **References Cited**

U.S. PATENT DOCUMENTS

3,524,980	A *	8/1970	Meloan	126/41 R
5,257,169	A *	10/1993	Walendziak	126/25 R
D350,211	S *	8/1994	Clasby	D26/60
D366,711	S *	1/1996	Clasby	D26/60
5,664,875	A *	9/1997	Hegedus	362/399
6,073,623	A *	6/2000	Maschhoff	126/25 R
6,851,820	B2 *	2/2005	Choi et al.	362/399
6,935,327	B1 *	8/2005	Williams et al.	126/39 BA
7,008,072	B2 *	3/2006	Witzel et al.	126/25 R
D527,137	S *	8/2006	Urich	D26/60

D535,046	S *	1/2007	Smith et al.	D26/62
7,168,363	B1 *	1/2007	Brown	126/25 R
D536,467	S *	2/2007	Geringer	D26/63

* cited by examiner

Primary Examiner—Louis Zarfaz

Assistant Examiner—Mark Cavanna

(74) *Attorney, Agent, or Firm*—Donald L. Beeson; Beeson Skinner Beverly, LLP

(57) **CLAIM**

The ornamental design for a barbecue grill light, as shown and described.

DESCRIPTION

FIG. 1 is a top perspective view of a barbecue grill light showing our new design;

FIG. 2 is a top plan view thereof;

FIG. 3 is a front elevational view thereof;

FIG. 4 is a bottom plan view thereof;

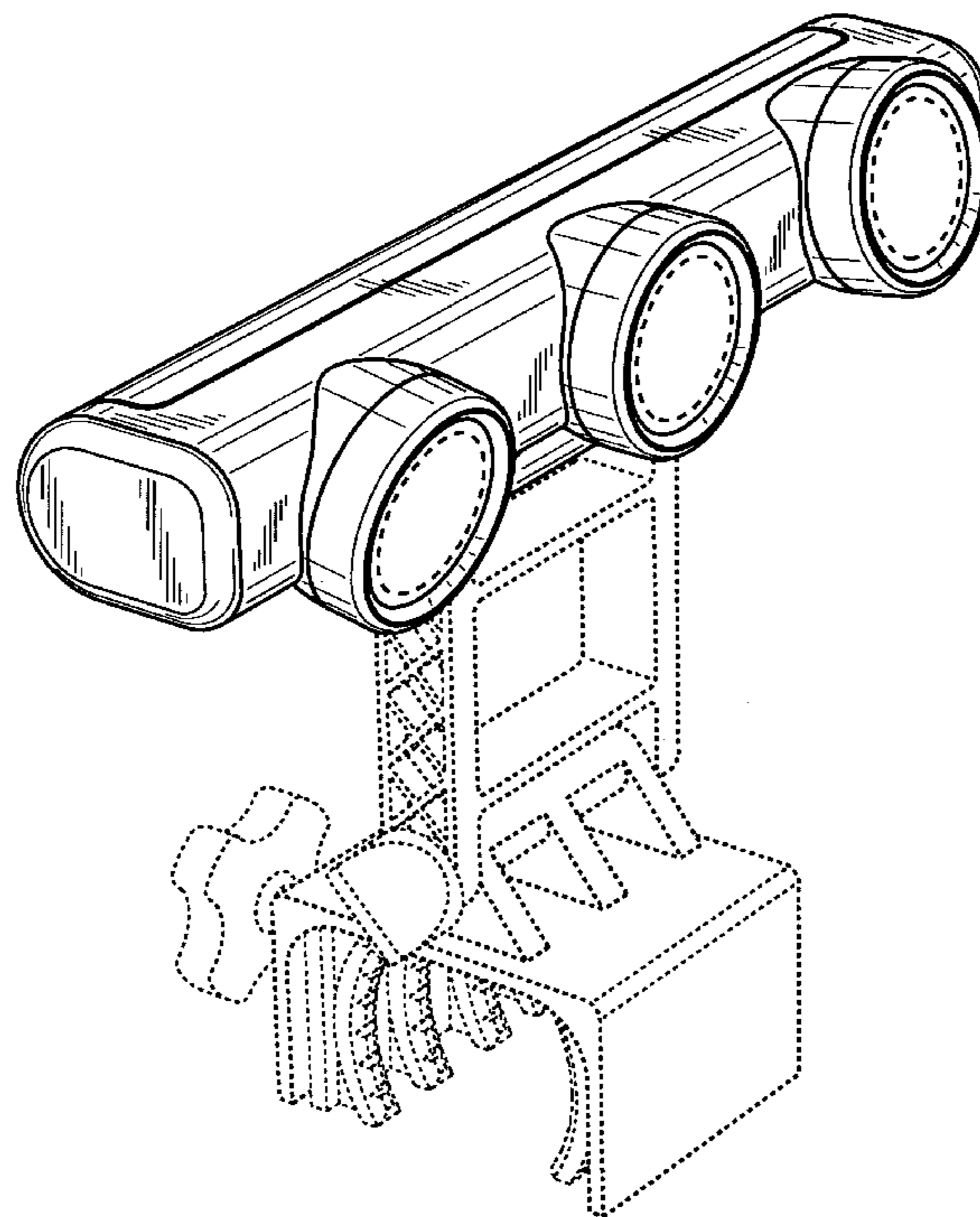
FIG. 5 is rear elevational view;

FIG. 6 is a right side elevational view thereof; and,

FIG. 7 is a left side elevational view thereof.

The broken lines showing a supporting neck and clamp and other detail of the barbecue grill light are for the purpose illustrating environmental structure and form no part of the claimed design. The broken line circles on the face of the three lamps of the barbecue grill light represent the bounds of the claimed design and form no part thereof.

1 Claim, 4 Drawing Sheets



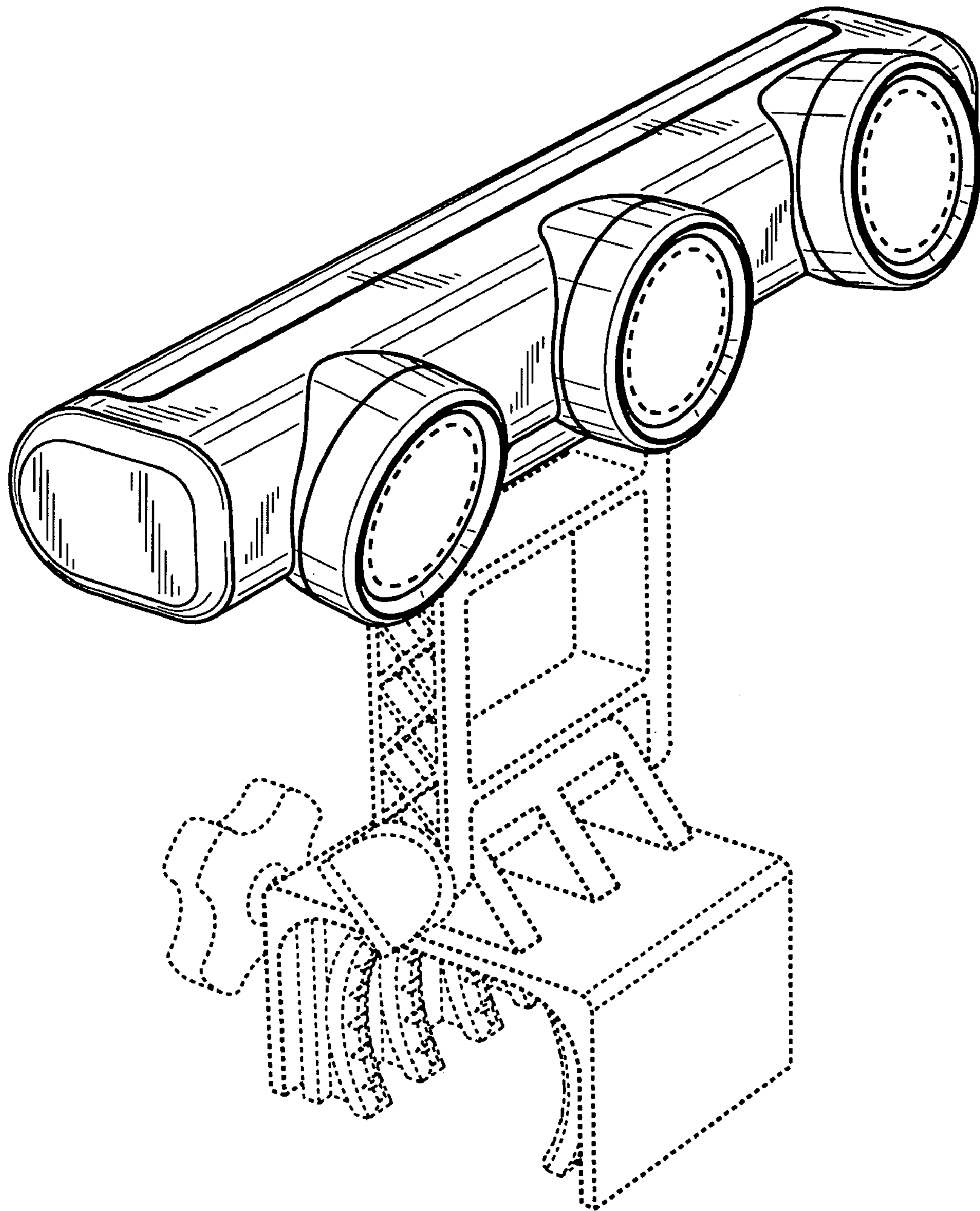


FIG. 1

FIG. 2

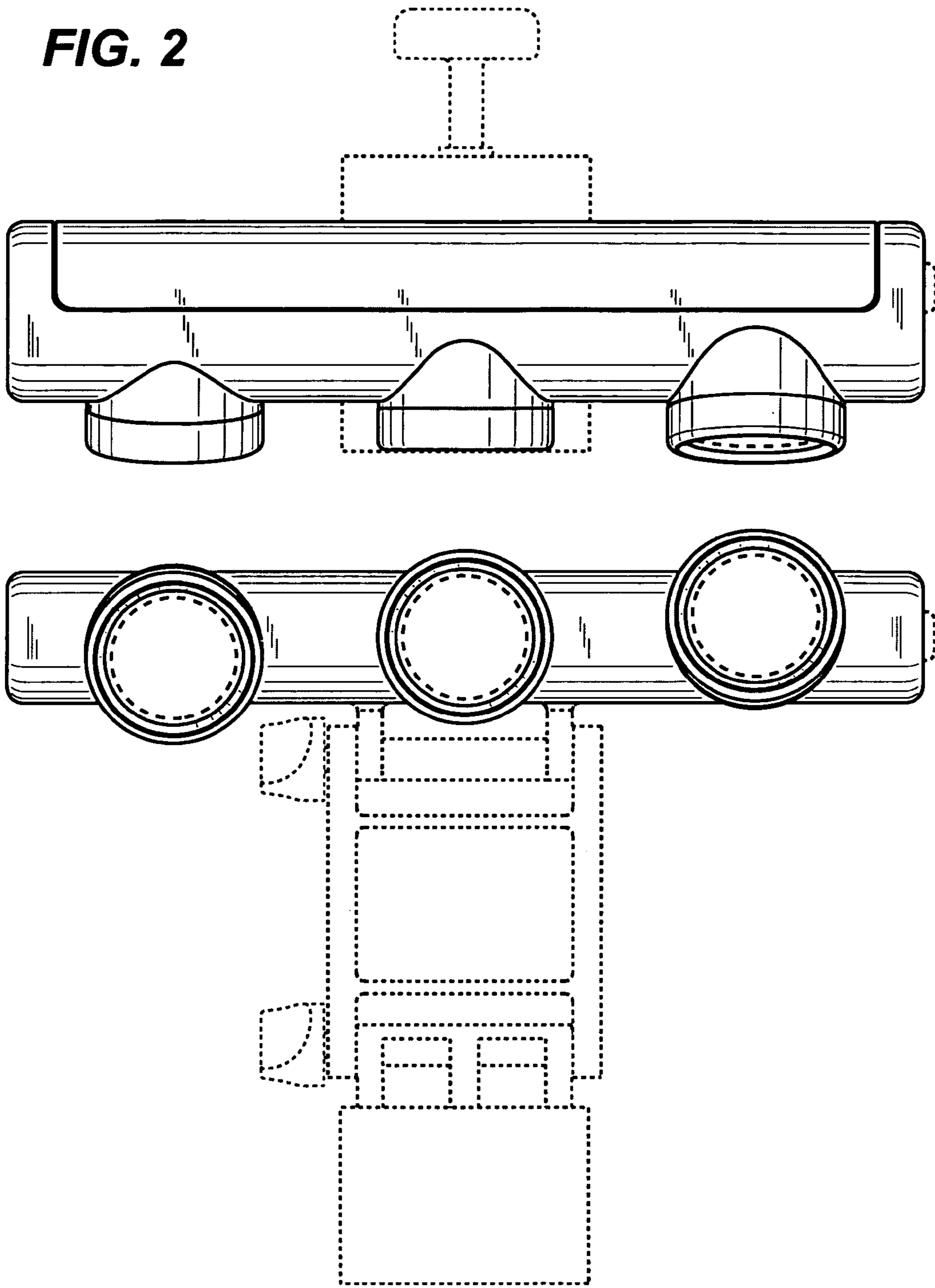


FIG. 3

FIG. 4

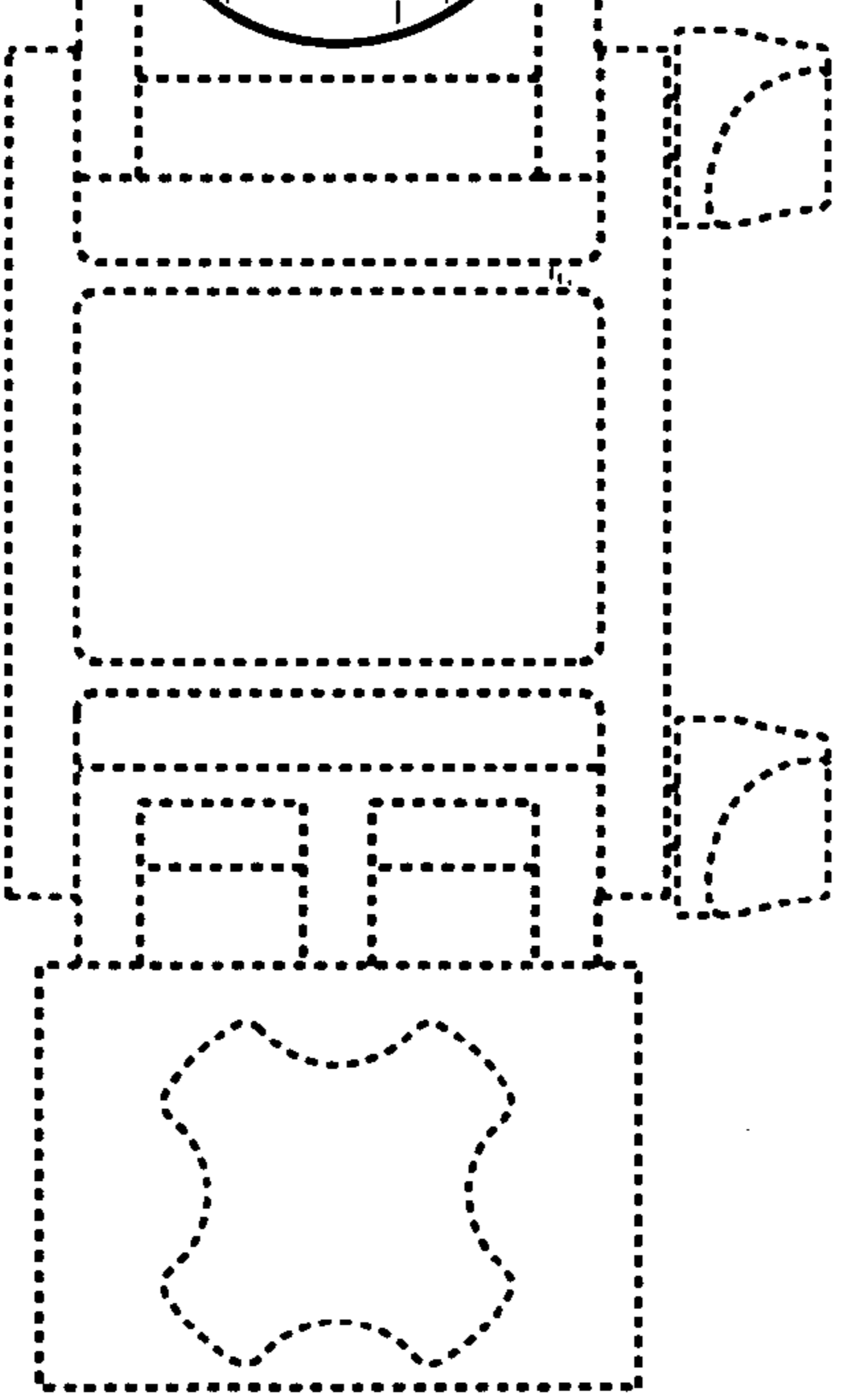
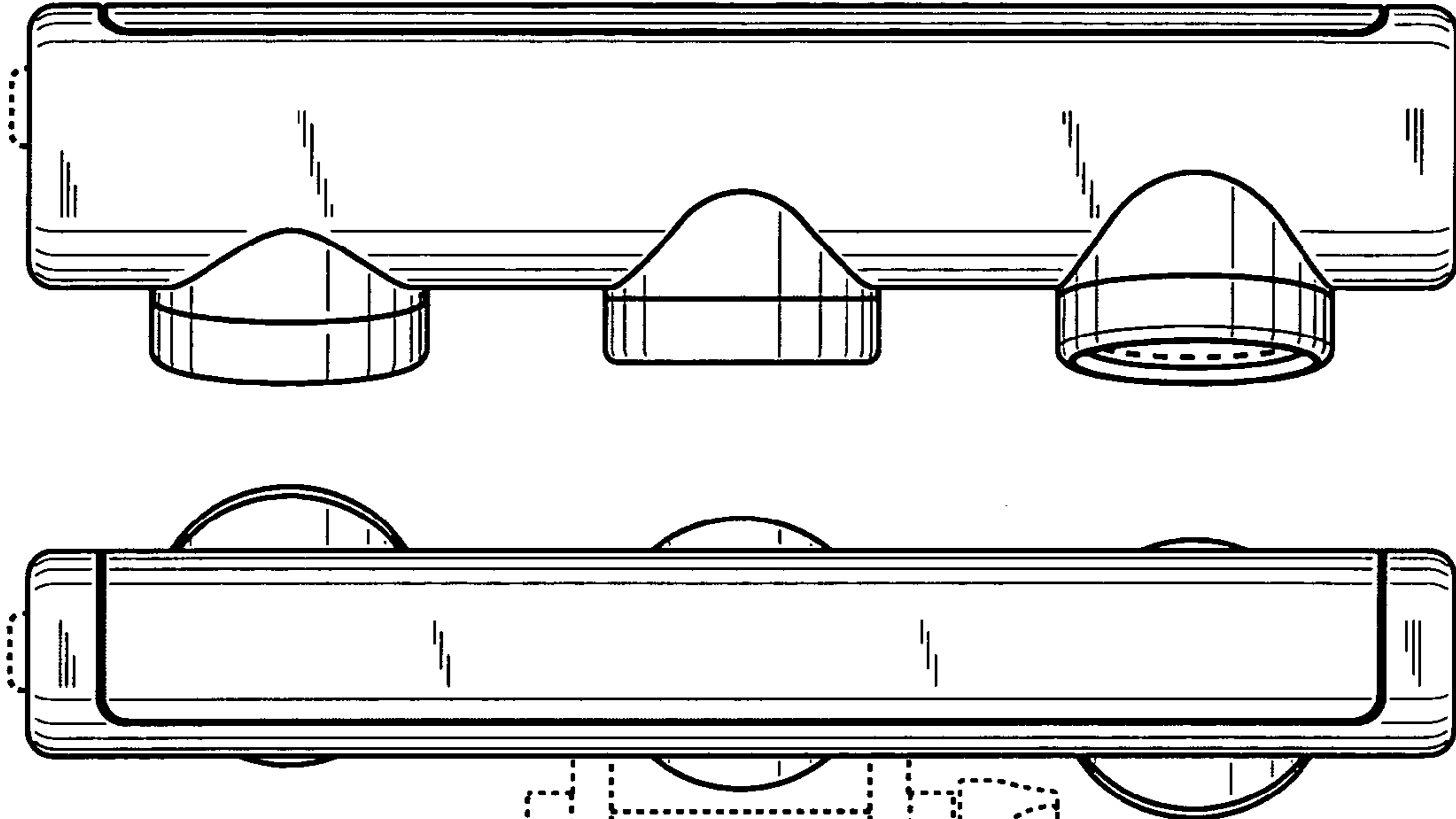


FIG. 5

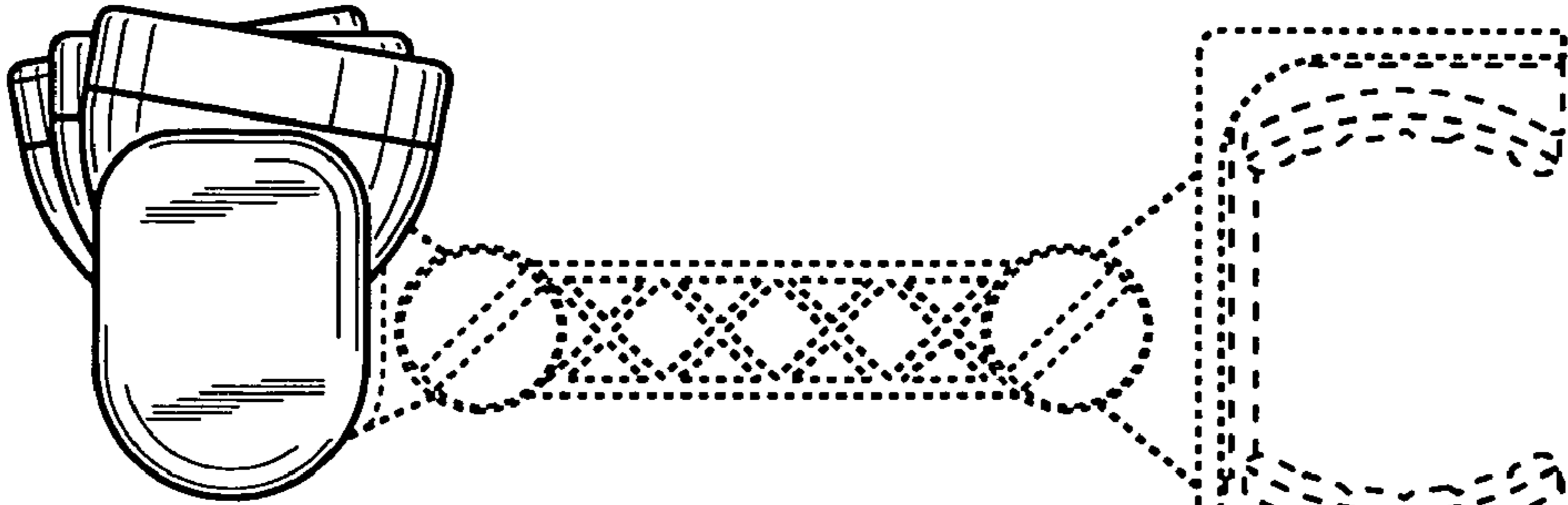


FIG. 7

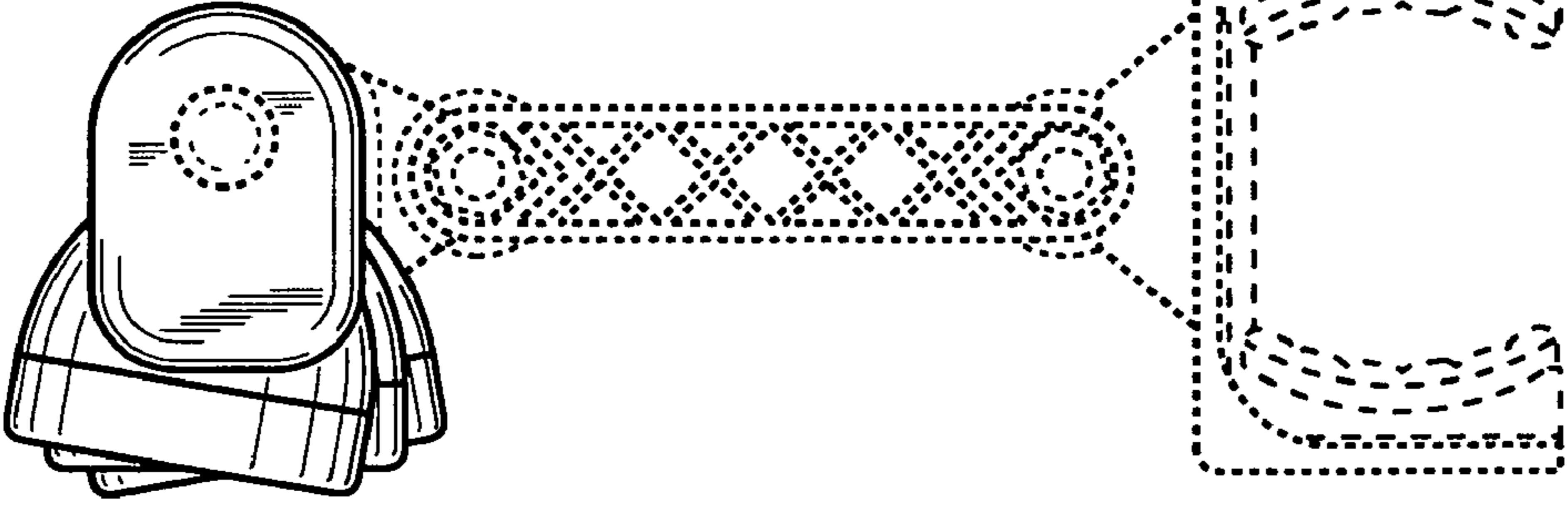


FIG. 6