



US00D579716S

(12) **United States Design Patent**
Pawson et al.

(10) **Patent No.:** **US D579,716 S**
(45) **Date of Patent:** **** Nov. 4, 2008**

(54) **SAUCEPAN**

(75) Inventors: **John Pawson**, London (GB); **Maurits J. Demeyere**, Edegem (BE)

(73) Assignee: **Werkhulzen Demeyere**, Herentals (BE)

(**) Term: **14 Years**

(21) Appl. No.: **29/301,012**

(22) Filed: **Feb. 6, 2008**

(30) **Foreign Application Priority Data**

Aug. 9, 2007 (EM) 000771969-0005

(51) **LOC (8) Cl.** **07-02**

(52) **U.S. Cl.** **D7/361**

(58) **Field of Classification Search** D7/323,
D7/337, 354-361, 365, 378-379, 383-384,
D7/542-543, 545, 560, 584-588; 99/403,
99/422, 425, 445; 220/203.01, 573.1-574,
220/769, 912; 427/261

See application file for complete search history.

(56) **References Cited**

U.S. PATENT DOCUMENTS

2,473,964 A * 6/1949 Moore 220/769
D172,839 S * 8/1954 Olswang D7/361
D306,679 S * 3/1990 Schultz D7/361
D328,997 S * 9/1992 Gerlach D7/361

D342,863 S * 1/1994 Patrick D7/361
D373,286 S * 9/1996 Antonio D7/361
D375,433 S * 11/1996 Jorgensen D7/354
6,331,328 B1 * 12/2001 Cheng 427/261
D482,562 S * 11/2003 Demers D7/354
D499,929 S * 12/2004 Cuillery D7/361
D537,672 S * 3/2007 Hoenstein D7/361
D552,925 S * 10/2007 Kloppsteck D7/361
D571,607 S * 6/2008 Stattmann D7/361

* cited by examiner

Primary Examiner—Caron D. Veynar

Assistant Examiner—Ricky Pham

(74) *Attorney, Agent, or Firm*—Kirschstein, et al.

(57) **CLAIM**

The ornamental design for a saucepan, as shown and described.

DESCRIPTION

FIG. 1 is a perspective view of a saucepan according to our new design;

FIG. 2 is a top plan view thereof;

FIG. 3 is a side elevational view thereof, the opposite side being a mirror image;

FIG. 4 is a rear elevational view thereof;

FIG. 5 is a front elevational view thereof; and,

FIG. 6 is a bottom plan view thereof.

1 Claim, 3 Drawing Sheets

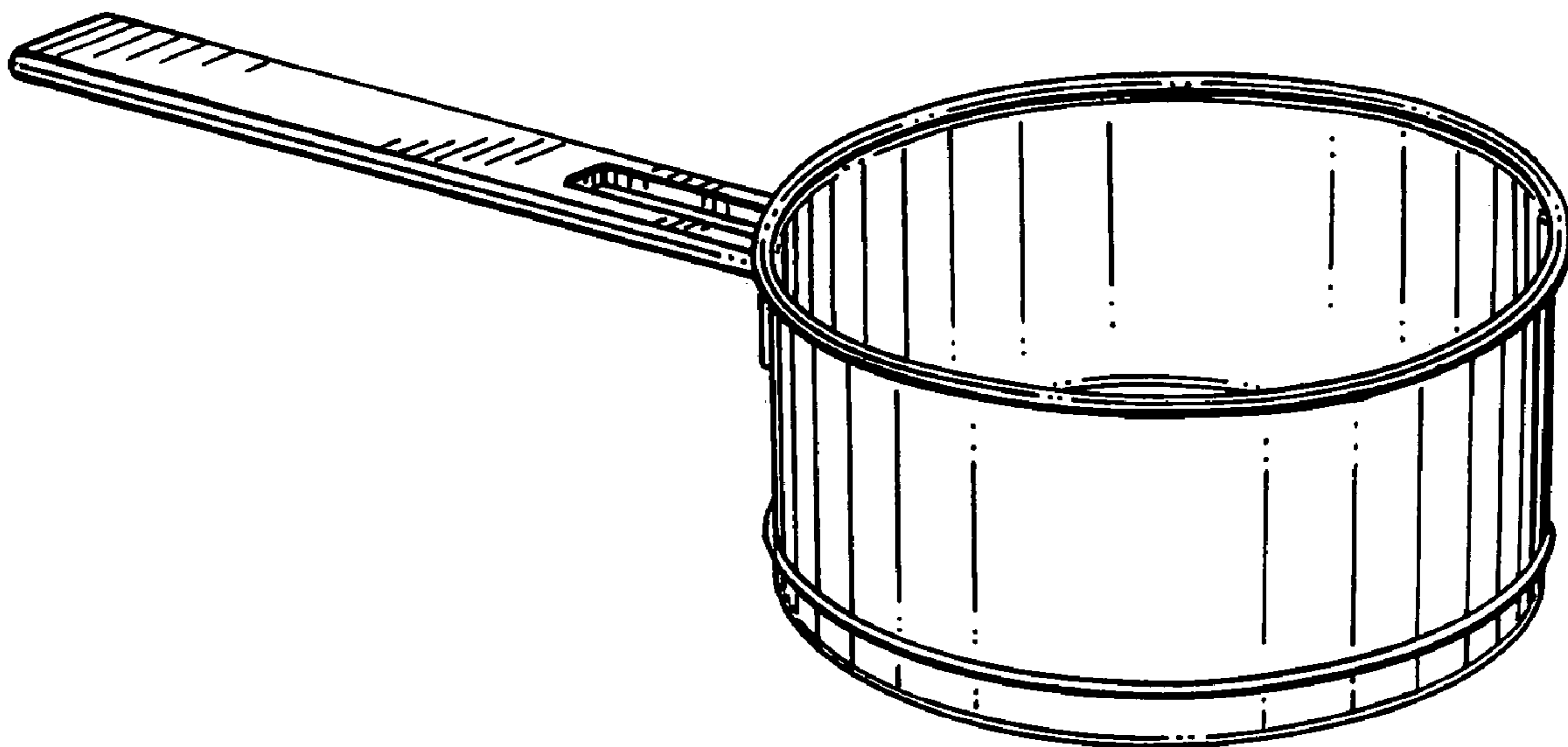


FIG. 1

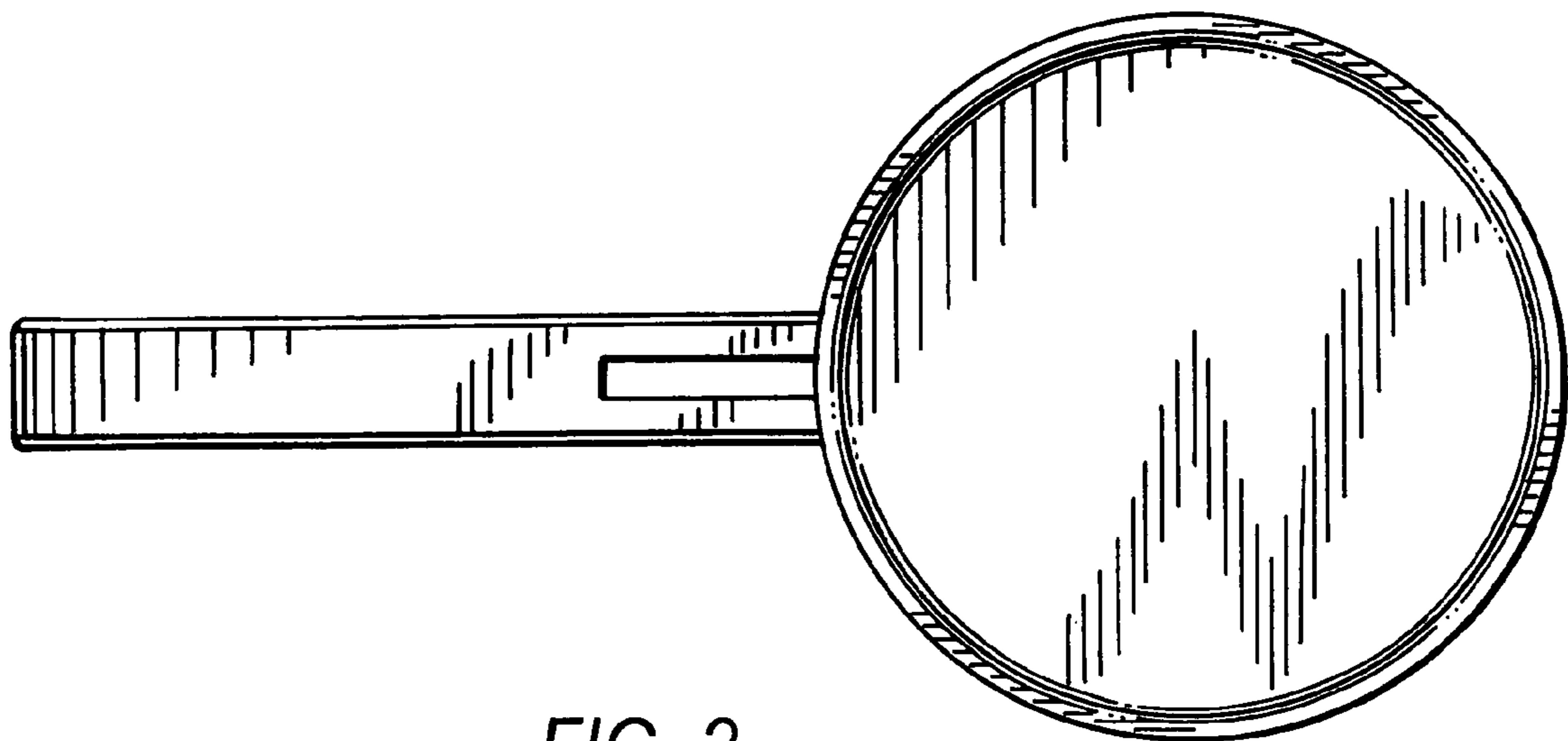
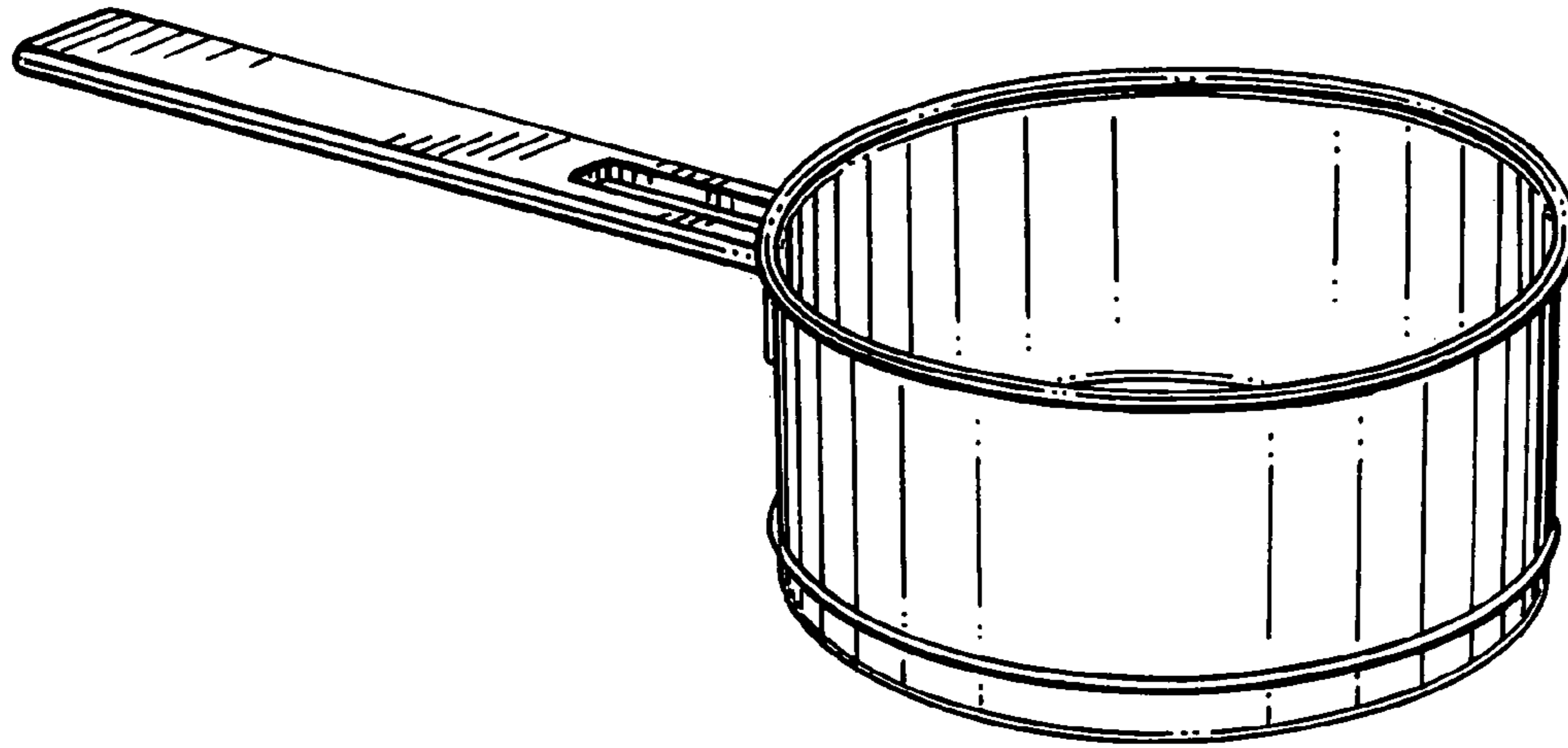


FIG. 2

FIG. 3

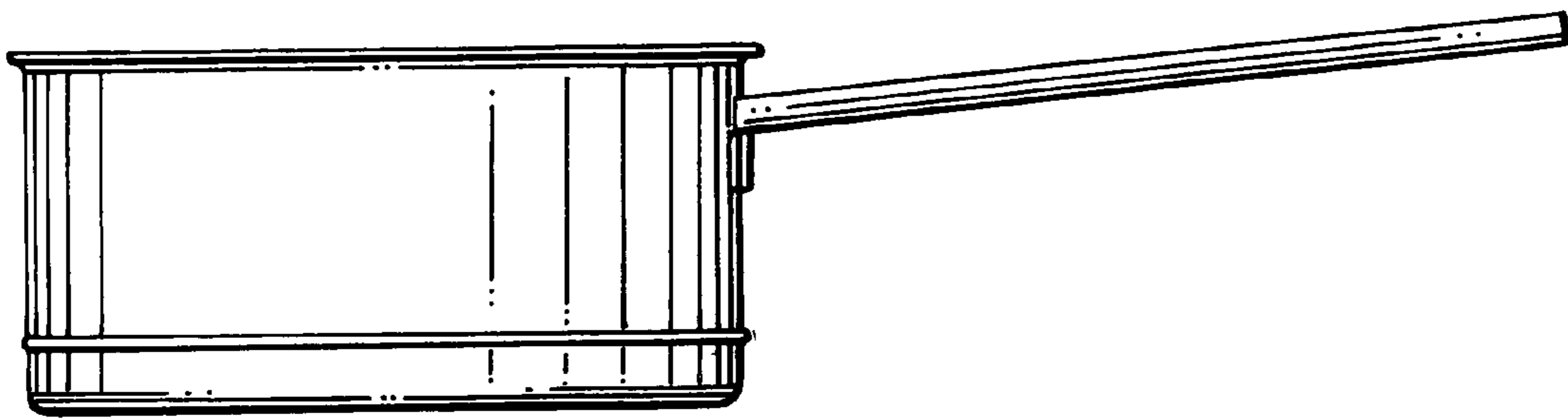


FIG. 4

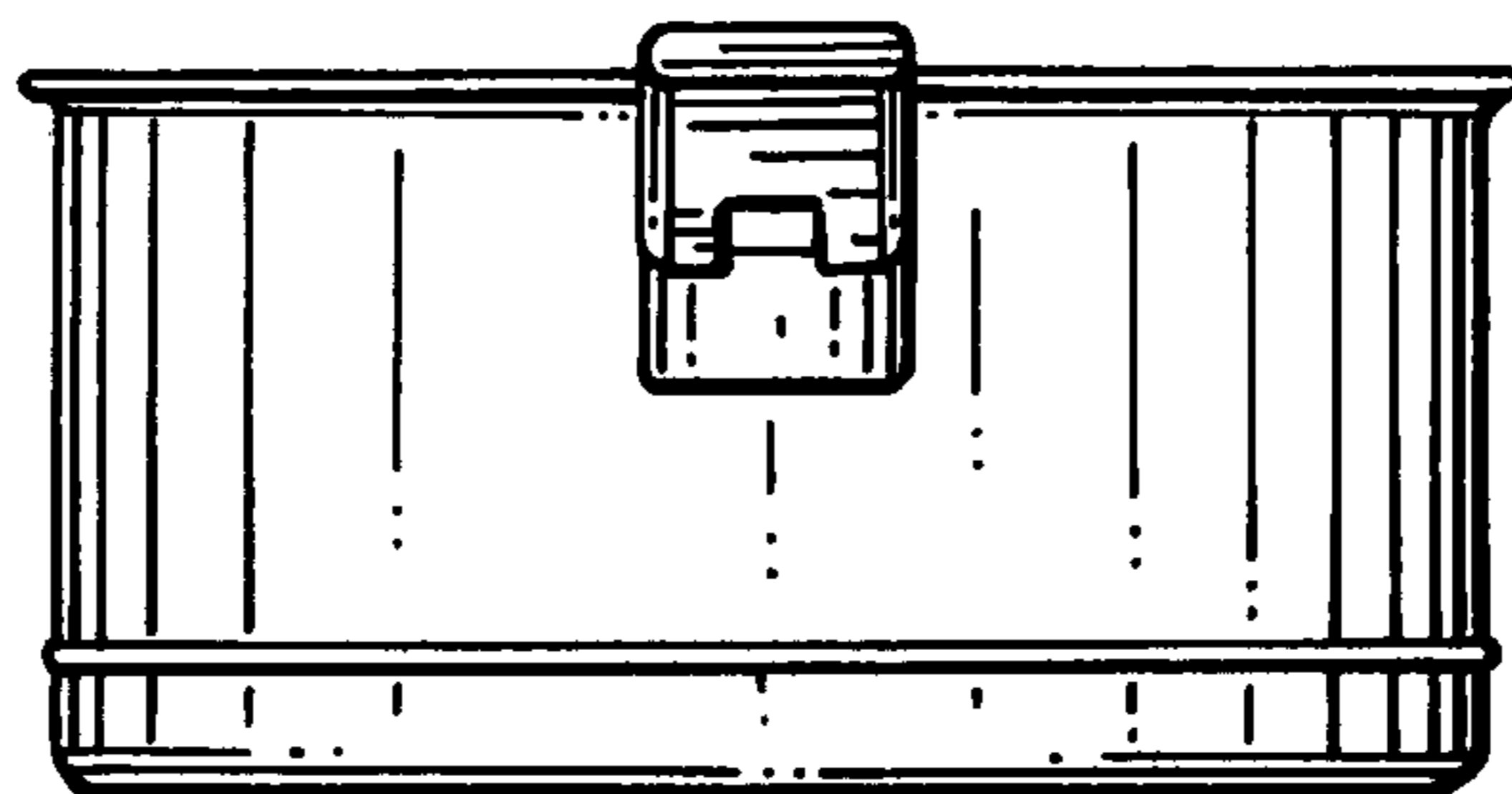


FIG. 5

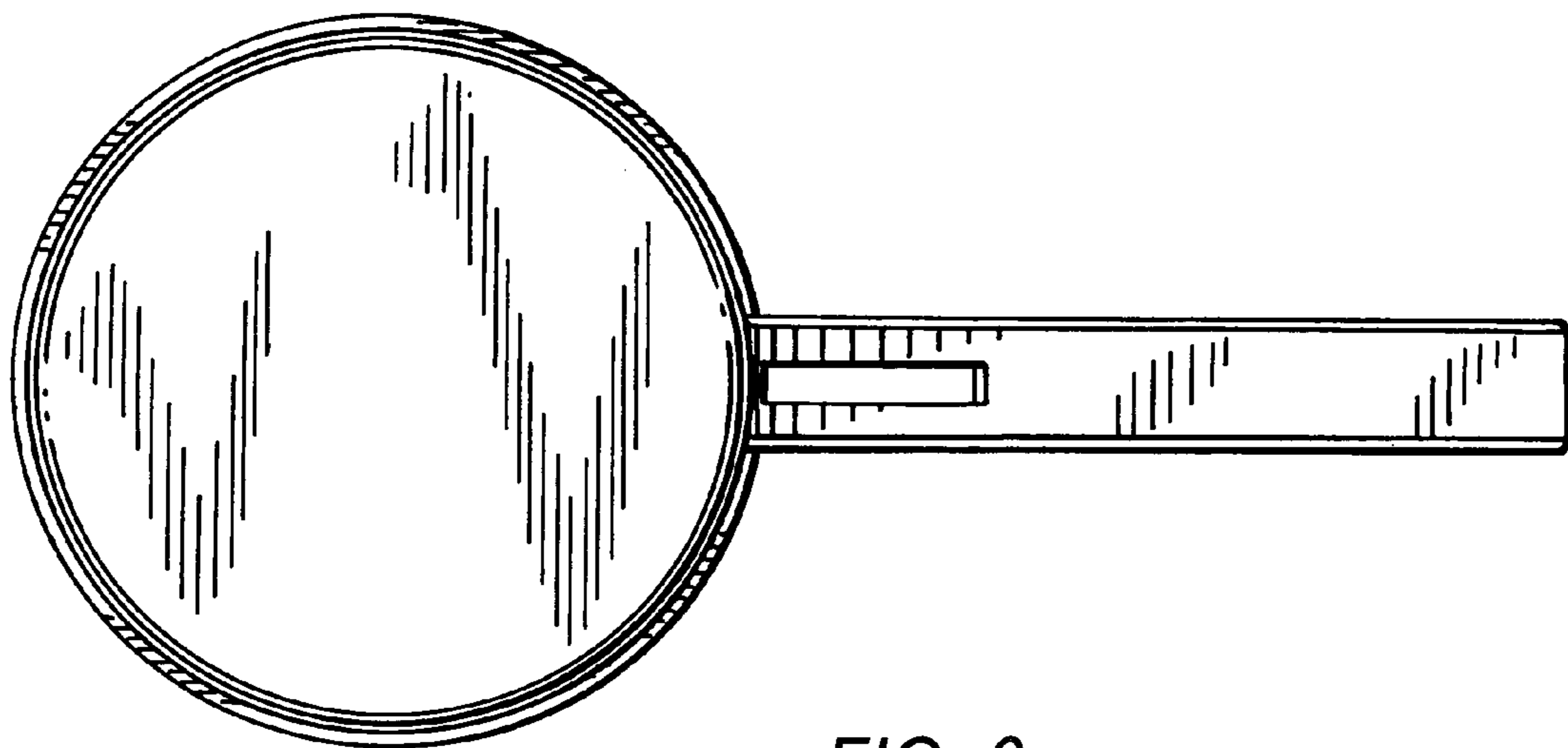
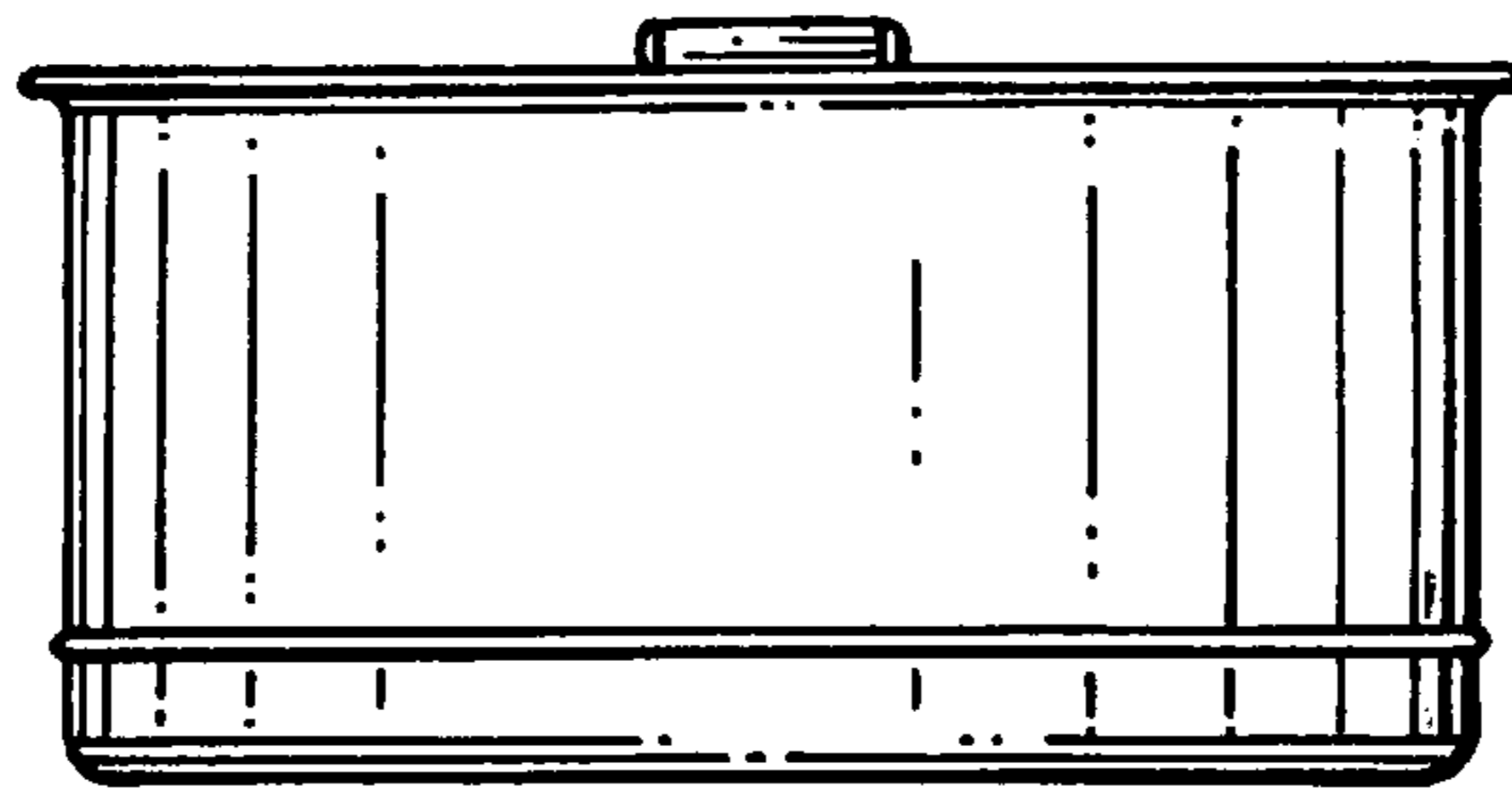


FIG. 6