



US00D579714S

(12) **United States Design Patent**  
**Cheng et al.**

(10) **Patent No.:** **US D579,714 S**  
(45) **Date of Patent:** **\*\* Nov. 4, 2008**

- (54) **COVERED COOKWARE VESSEL**
- (75) Inventors: **Stanley Kin Sui Cheng**, Vallejo, CA (US); **Robert A Rae**, Danville, CA (US)
- (73) Assignee: **Meyer Intellectual Properties Limited** (VG)
- (\*\*) Term: **14 Years**
- (21) Appl. No.: **29/293,214**
- (22) Filed: **Nov. 9, 2007**

D426,107 S *	6/2000	Cheng	.....	D7/393
D445,642 S *	7/2001	Rae	.....	D7/393
D469,655 S *	2/2003	Ryan et al.	.....	D7/361
D480,262 S *	10/2003	Smekh	.....	D7/360
D487,554 S *	3/2004	Smekh	.....	D7/395
D497,513 S *	10/2004	Rae	.....	D7/394
6,848,592 B2 *	2/2005	Logiudice	.....	220/377
D514,379 S *	2/2006	Kerr et al.	.....	D7/395
D555,418 S *	11/2007	Cheng	.....	D7/354
D555,421 S *	11/2007	Thurlow et al.	.....	D7/393

**Related U.S. Application Data**

- (63) Continuation-in-part of application No. 29/279,606, filed on May 3, 2007, and a continuation of application No. 29/279,608, filed on May 3, 2007, and a continuation of application No. 29/279,610, filed on May 3, 2007, and a continuation of application No. 29/279,613, filed on May 3, 2007.

- (51) **LOC (8) Cl.** ..... **07-02**
  - (52) **U.S. Cl.** ..... **D7/360**
  - (58) **Field of Classification Search** ..... D7/323, D7/354-361, 393-395, 402, 500, 538-548, D7/584-588; D8/107, 300, 307, 317; 16/110.1, 16/407, 430-431, 436, 441, 444; 29/527.1-527.5; 99/339, 403, 413, 422, 425-426, 445; 126/369; 220/377, 573.1-573.3, 752-753, 755-759, 220/912
- See application file for complete search history.

(56) **References Cited**

**U.S. PATENT DOCUMENTS**

- D273,755 S \* 5/1984 Thurlow ..... D7/359
- D370,826 S \* 6/1996 Thurlow ..... D7/360

**OTHER PUBLICATIONS**

Kitchen Kapers, Holiday 2006, p. 17, Calphalon One Saute Pan with Lid.\*

\* cited by examiner

*Primary Examiner*—Caron Veynar  
*Assistant Examiner*—Ricky Pham  
(74) *Attorney, Agent, or Firm*—Edward S. Sherman

(57) **CLAIM**

The ornamental design for a covered cookware vessel, as shown and described.

**DESCRIPTION**

FIG. 1 is a top perspective view of the “covered cookware vessel”, showing our new design;  
FIG. 2 is a top plan view thereof;  
FIG. 3 is a front elevation view thereof;  
FIG. 4 is a side elevation view thereof;  
FIG. 5 is a bottom plan view thereof;  
FIG. 6 is a back elevation view thereof; and,  
FIG. 7 is a perspective view from below the cooware vessel of the previous figures.

**1 Claim, 5 Drawing Sheets**





FIG. 1

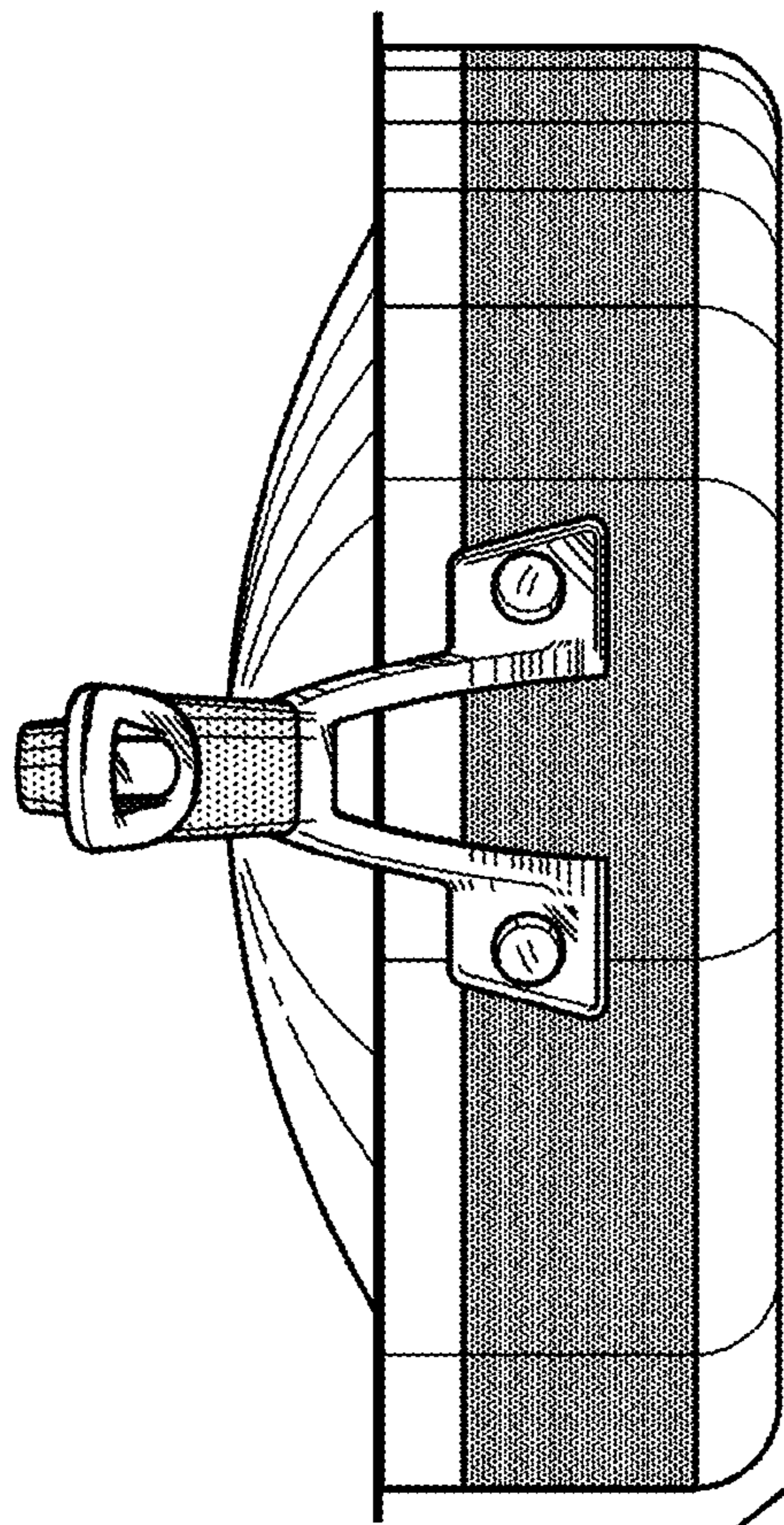


FIG. 6

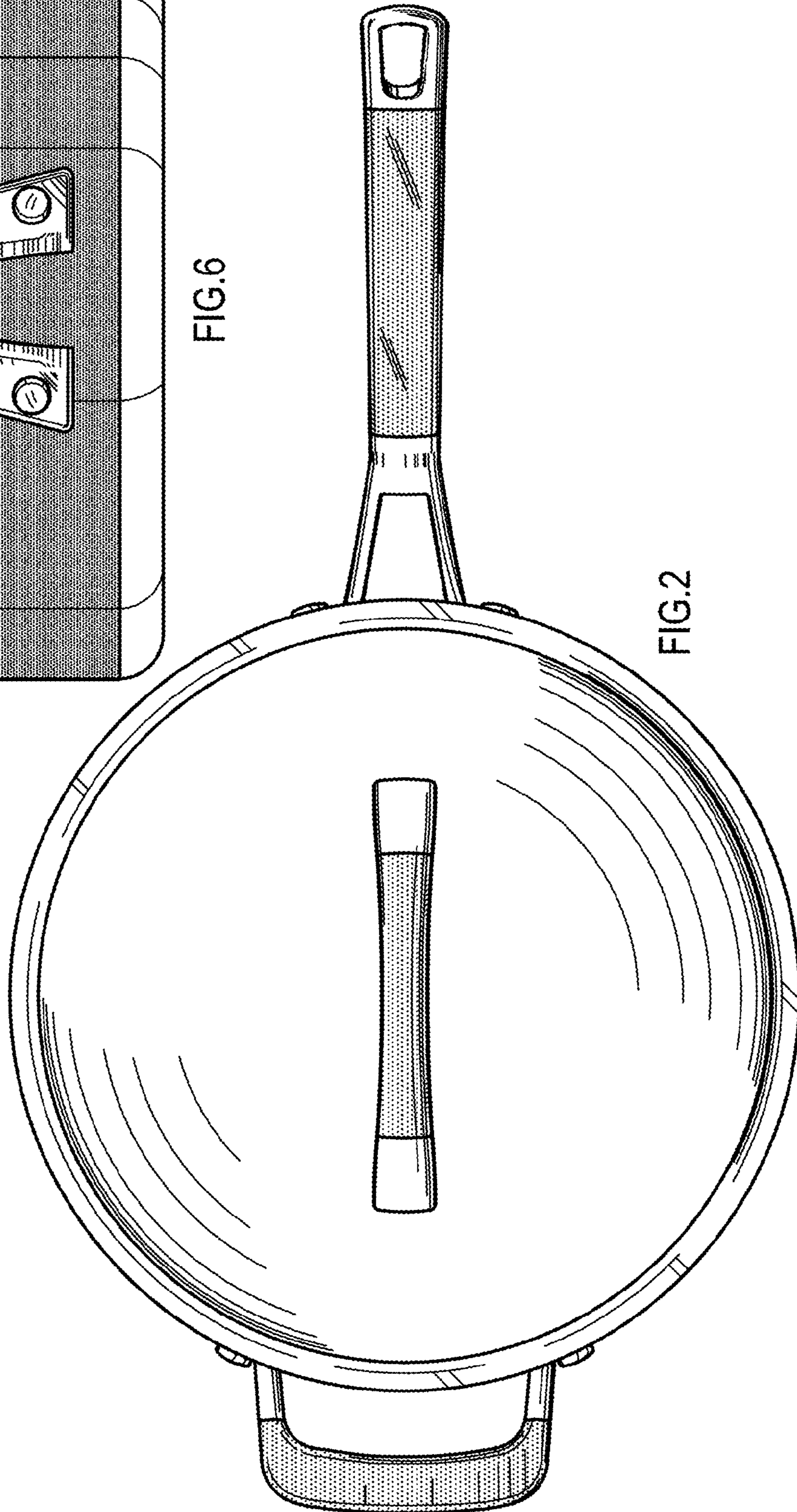


FIG. 2

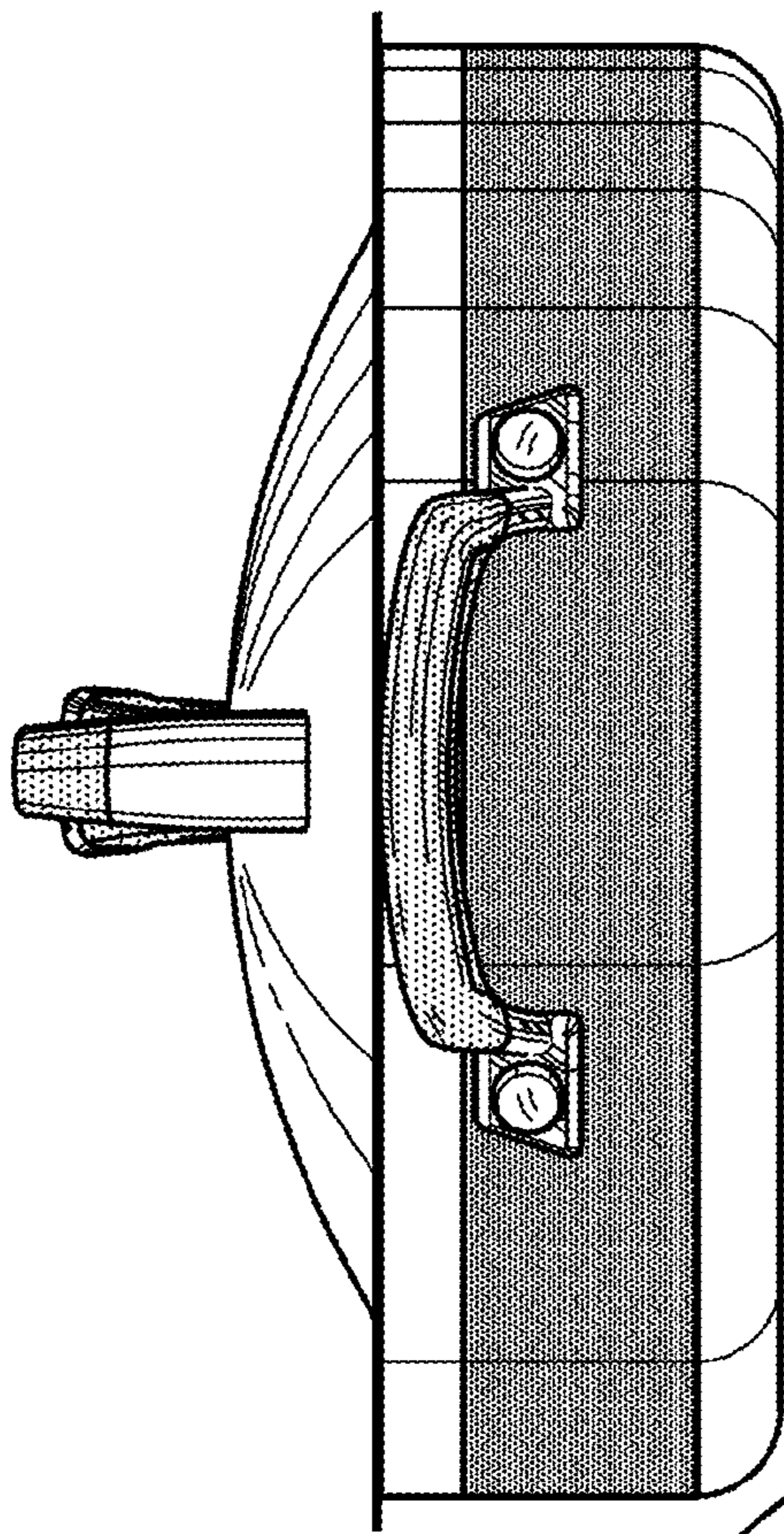


FIG.3

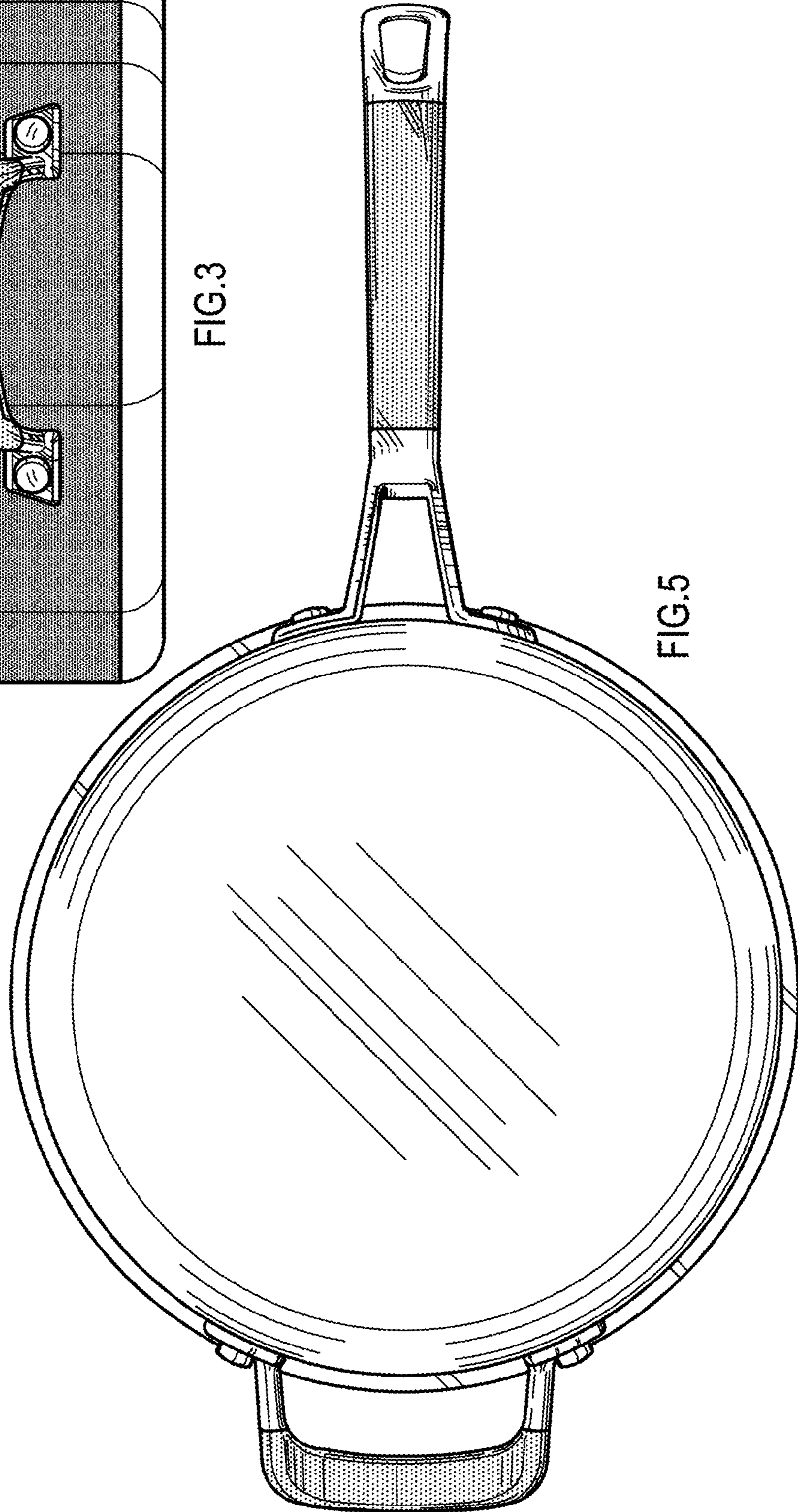


FIG.5

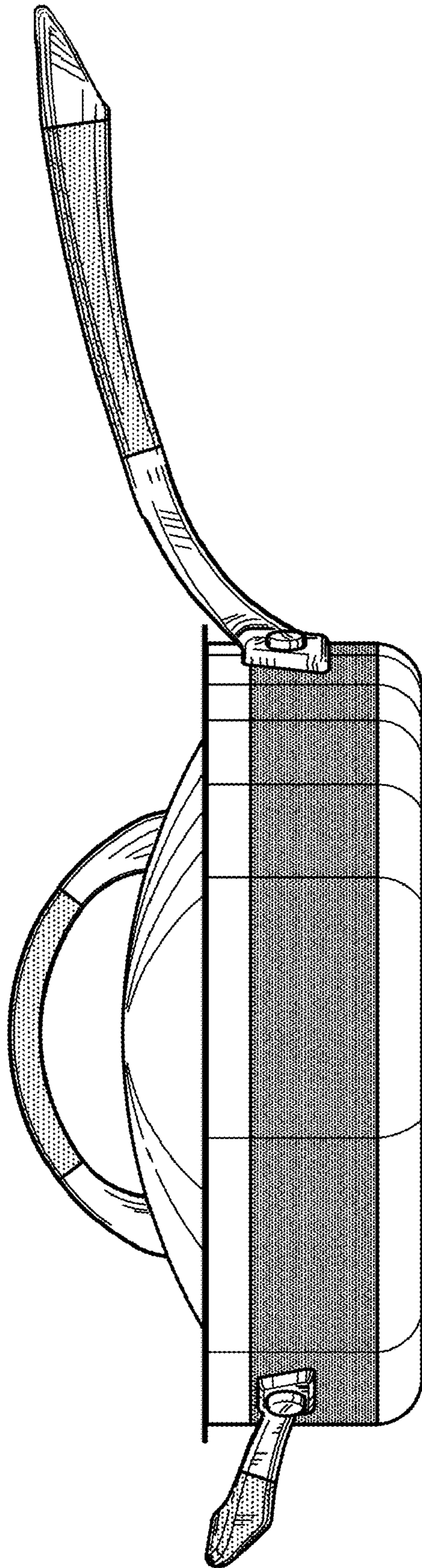


FIG.4

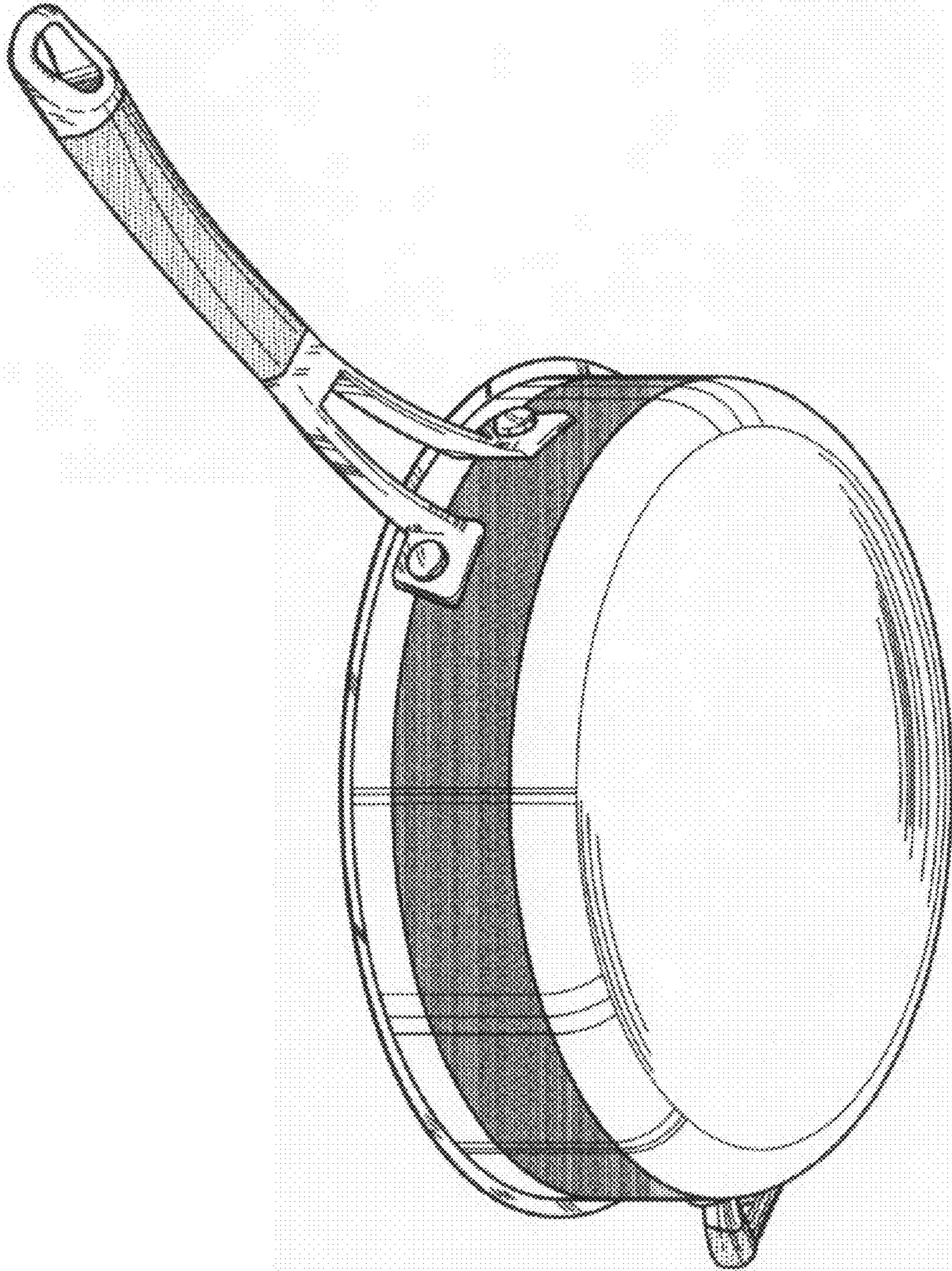


FIG.7