



US00D579709S

(12) **United States Design Patent**
Proffitt et al.

(10) **Patent No.:** **US D579,709 S**

(45) **Date of Patent:** **** Nov. 4, 2008**

(54) **GRILL**

(75) Inventors: **Mark T. Proffitt**, Greeneville, TN (US);
Devin Lee Moore, Decatur, GA (US);
Collin Sobczynski Farill, Decatur, GA (US)

(73) Assignee: **MECO Corporation**, Greenville, TN (US)

(**) Term: **14 Years**

(21) Appl. No.: **29/296,668**

(22) Filed: **Oct. 25, 2007**

(51) **LOC (8) Cl.** **07-02**

(52) **U.S. Cl.** **D7/334**

(58) **Field of Classification Search** D7/332,
D7/334, 335, 336, 402-405; 126/25 R, 25 A,
126/25 AA, 9 R, 37 R, 41 R, 40, 50, 304 R,
126/305, 268, 276; 312/249.8, 249.13
See application file for complete search history.

(56) **References Cited**

U.S. PATENT DOCUMENTS

D503,065 S * 3/2005 Pai D7/334
D521,308 S * 5/2006 Tseng D7/334

D535,139 S * 1/2007 Lutz D7/334
D541,575 S * 5/2007 Lutz D7/334
D541,576 S * 5/2007 Lutz D7/334
D546,116 S * 7/2007 Tseng D7/334
D549,511 S * 8/2007 Chung D7/334
D549,512 S * 8/2007 Chung D7/334
D549,514 S * 8/2007 Chung D7/334

* cited by examiner

Primary Examiner—Ruth McInroy

(74) *Attorney, Agent, or Firm*—McGuirewoods LLP

(57) **CLAIM**

We claim the ornamental design for a grill, as shown and described.

DESCRIPTION

FIG. 1 is a perspective view of the ornamental appearance of the grill;

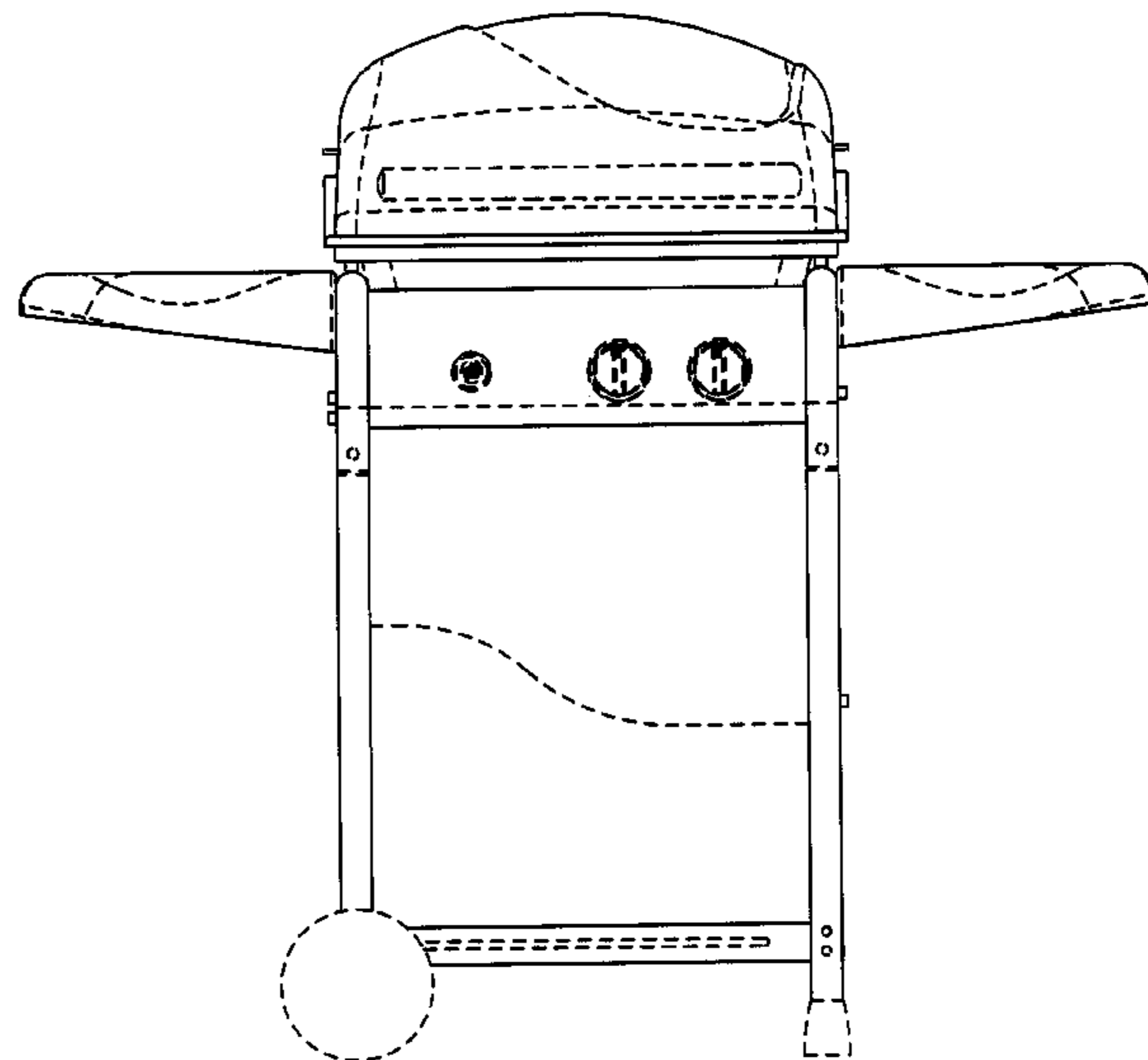
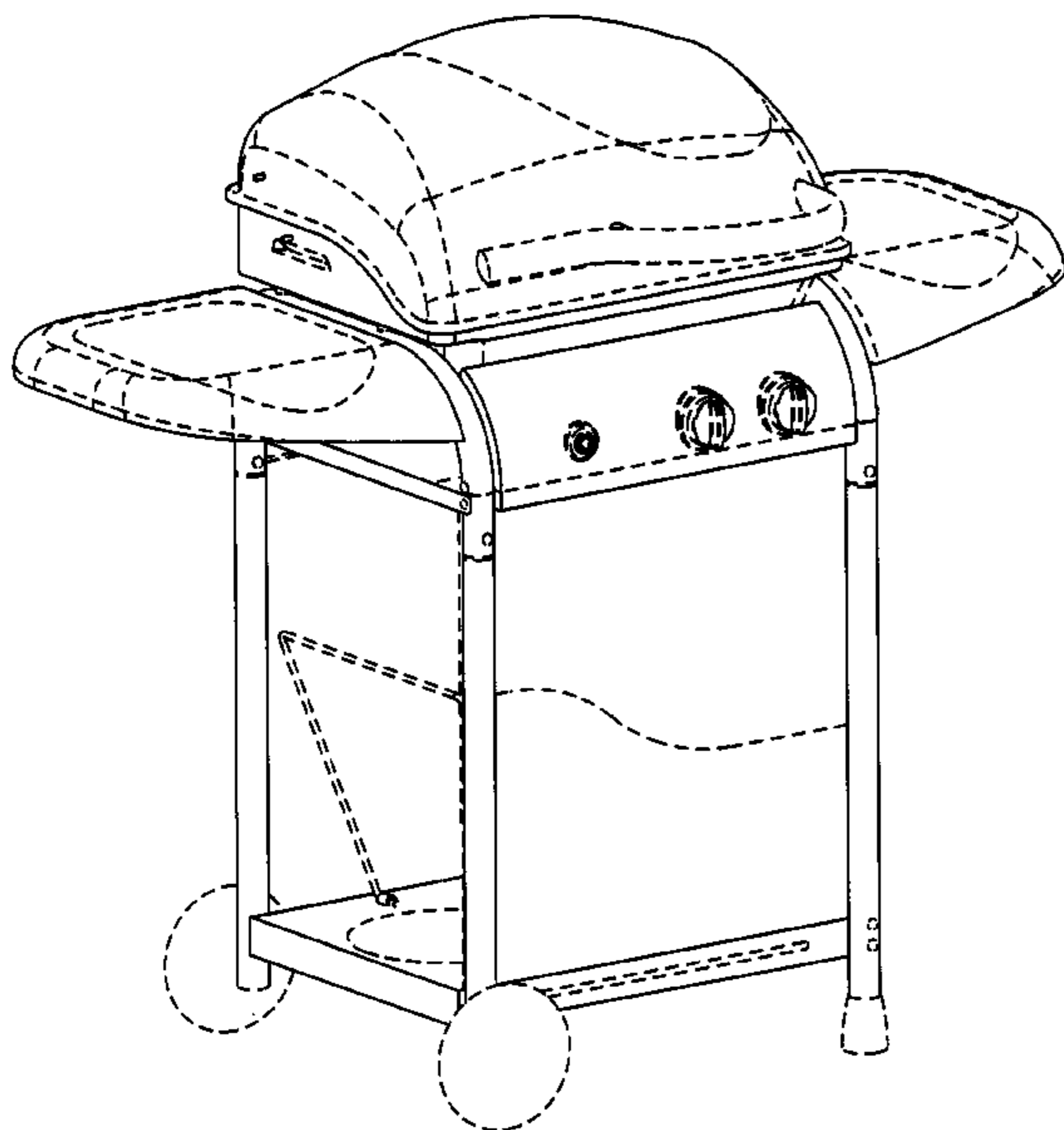
FIG. 2 is a front view of the grill shown in FIG. 1;

FIG. 3 is a side view of the grill shown in FIG. 1; and,

FIG. 4 is a top view of the grill shown in FIG. 1.

The details shown in broken lines form no part of the claimed design.

1 Claim, 4 Drawing Sheets



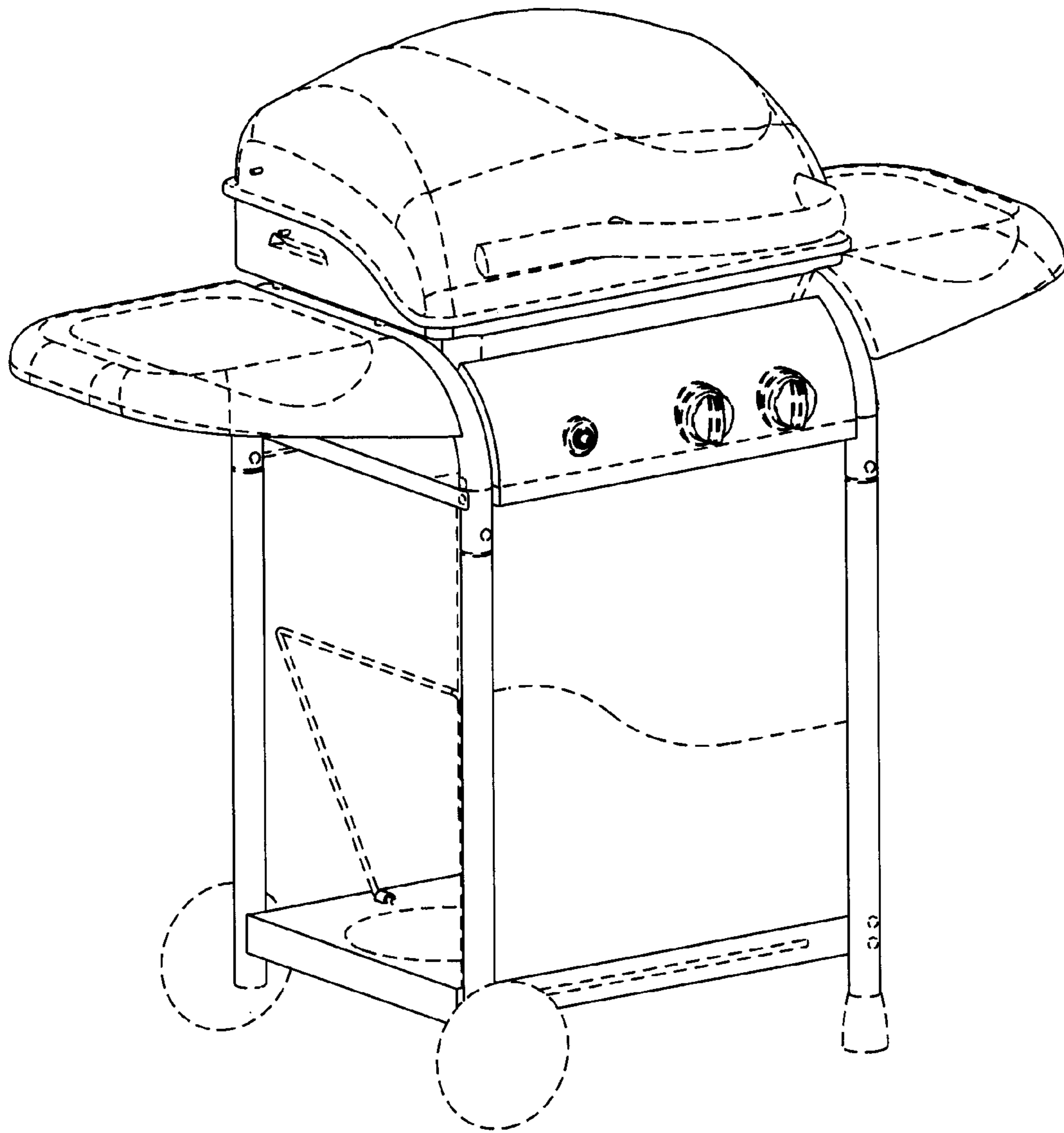


FIG. 1

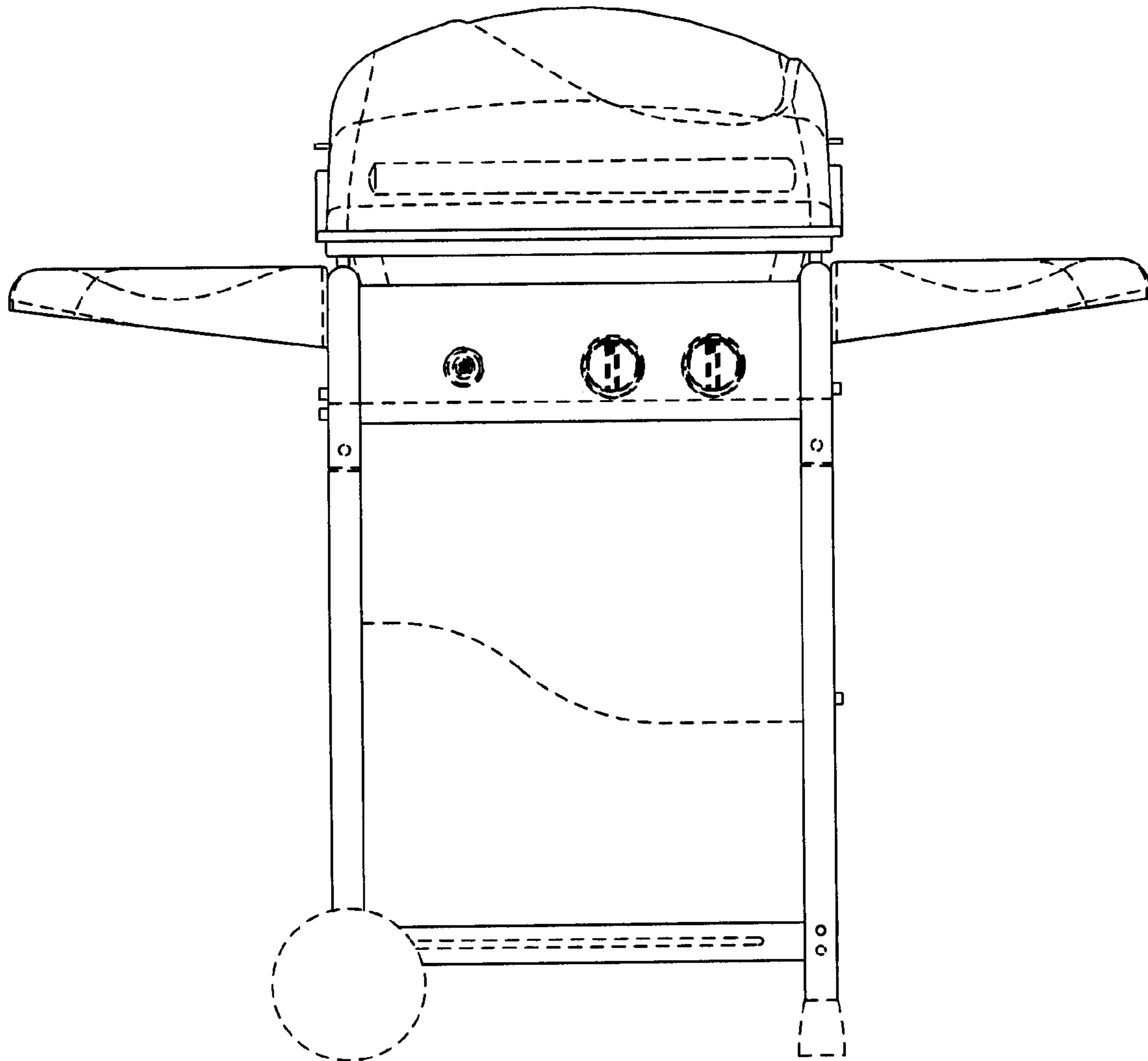


FIG. 2

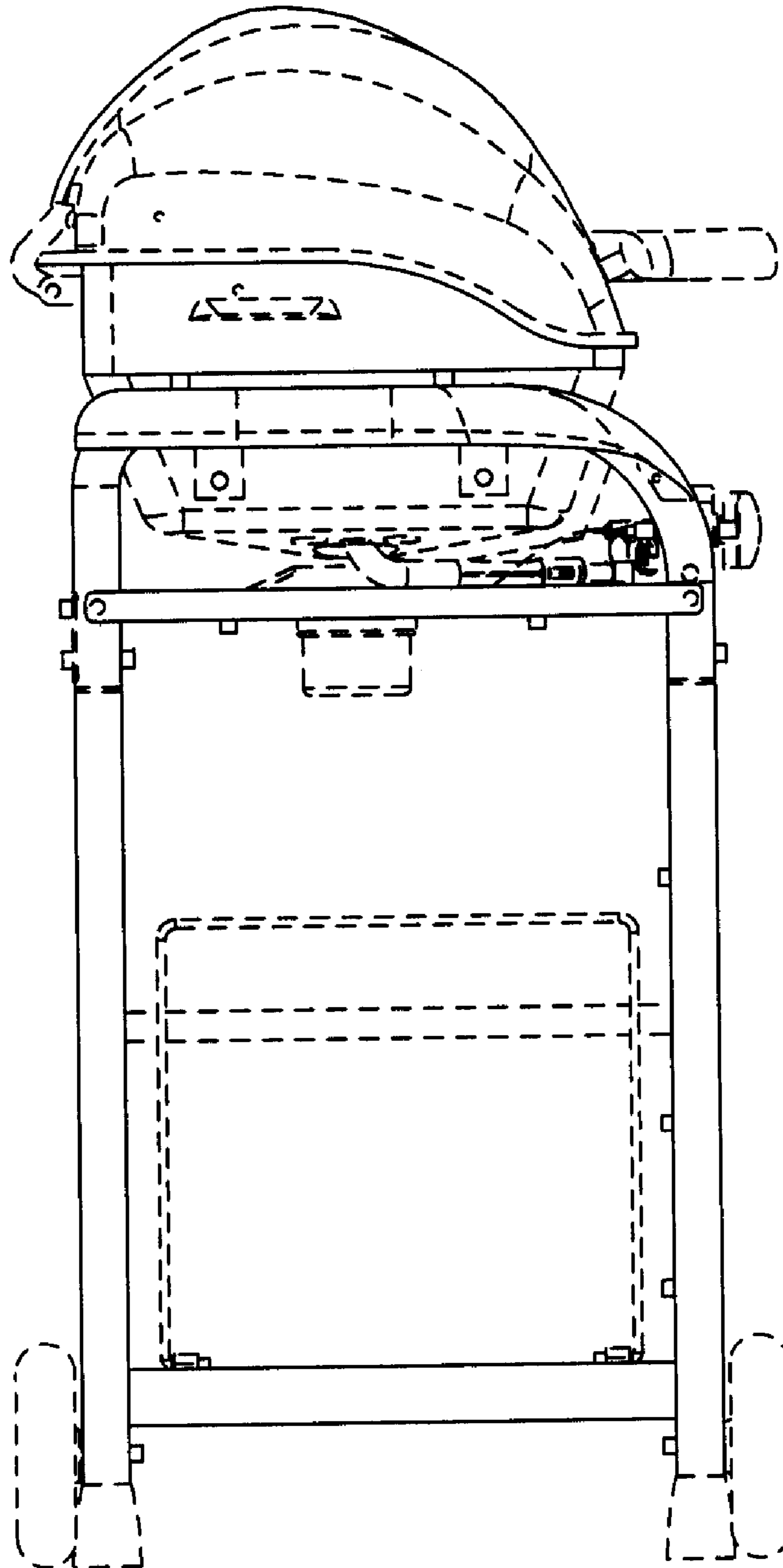


FIG. 3

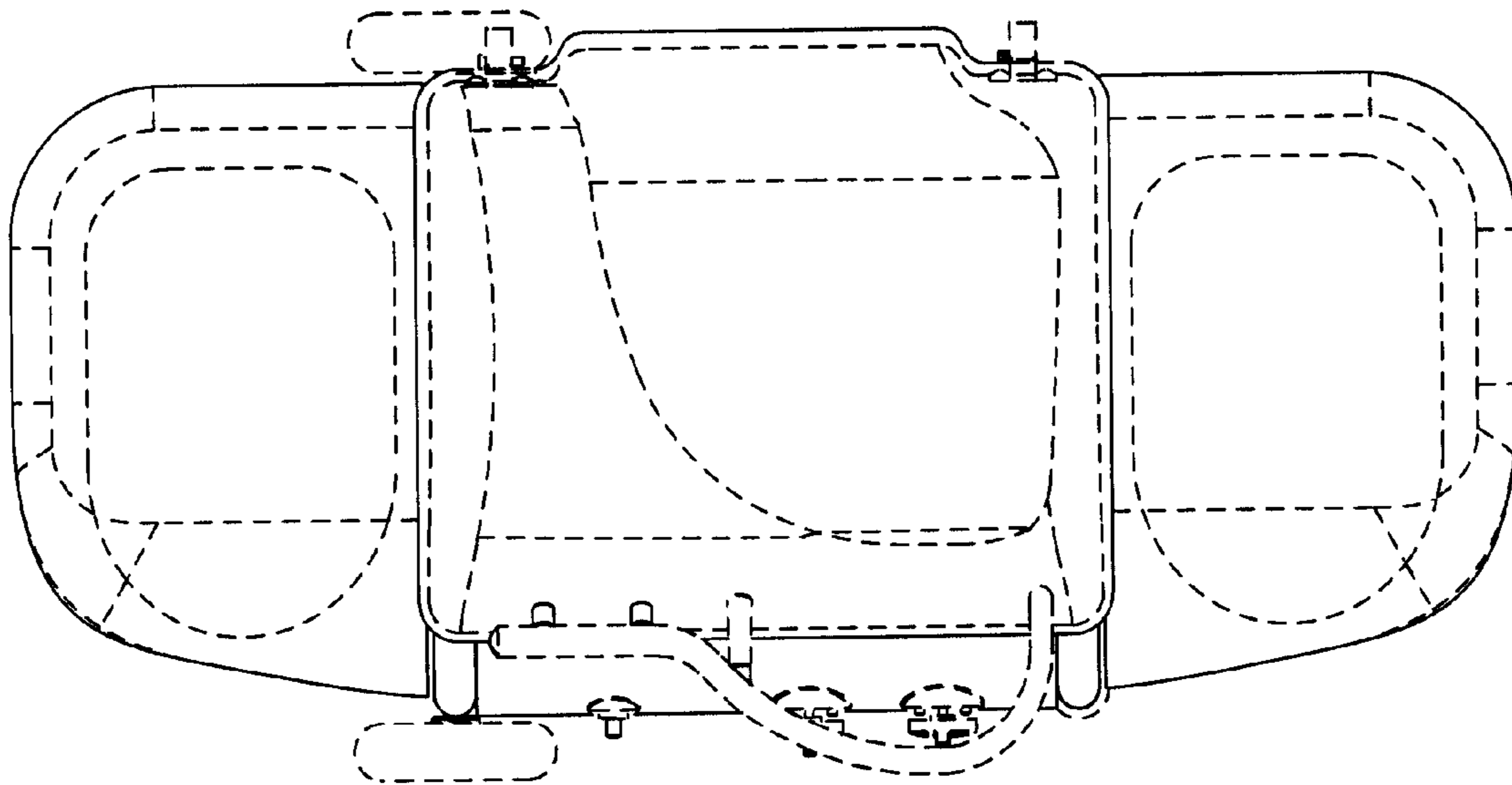


FIG. 4