



US00D579708S

(12) **United States Design Patent**  
**Chen**

(10) **Patent No.:** **US D579,708 S**

(45) **Date of Patent:** **\*\* Nov. 4, 2008**

(54) **STAND FOR BARBECUE STOVE**

(75) Inventor: **Jan-Nan Chen**, Taichung (TW)

(73) Assignee: **Pro-Iroda Industries, Inc.**, Taichung (TW)

(\*\*) Term: **14 Years**

(21) Appl. No.: **29/297,047**

(22) Filed: **Nov. 2, 2007**

(51) **LOC (8) Cl.** ..... **07-02**

(52) **U.S. Cl.** ..... **D7/332**

(58) **Field of Classification Search** ..... D7/332-338,  
D7/402-405; 126/25 R, 29-30, 25 A, 25 AA,  
126/9 R, 9 B, 8, 38, 41 R, 40, 50, 304 R,  
126/305, 214 R; 99/450, 419, 444, 445;  
D6/397, 429, 487, 480; 108/50.13; 248/166,  
248/176.2

See application file for complete search history.

(56) **References Cited**

**U.S. PATENT DOCUMENTS**

- D131,939 S \* 4/1942 Robinson ..... D7/332
- D233,499 S \* 11/1974 Sakata ..... D6/397
- D253,931 S \* 1/1980 DeVischer et al. .... D7/332
- D286,002 S \* 10/1986 Brix ..... D7/332
- D318,386 S \* 7/1991 Polidoros ..... D6/429
- 5,183,027 A \* 2/1993 Saldana ..... 126/25 R
- D350,045 S \* 8/1994 Stuart ..... D7/332

- D389,009 S \* 1/1998 Baykal ..... D7/335
- D394,779 S \* 6/1998 Hilvitz ..... D7/335
- 6,065,466 A \* 5/2000 Baykal ..... 126/41 R
- D449,490 S \* 10/2001 Frederick ..... D7/332
- D468,952 S \* 1/2003 Graham et al. .... D7/332
- D480,580 S \* 10/2003 Buono ..... D6/429

\* cited by examiner

*Primary Examiner*—Ruth McInroy

(74) *Attorney, Agent, or Firm*—Alan Kamrath; Kamrath & Associates PA

(57) **CLAIM**

I claim the ornamental design for a stand for barbecue stove, as shown and described.

**DESCRIPTION**

FIG. 1 is a perspective view of a stand for barbecue stove showing my new design;

FIG. 2 is a front view thereof, the opposite side being a mirror image;

FIG. 3 is a left view thereof, the opposite side being a mirror image;

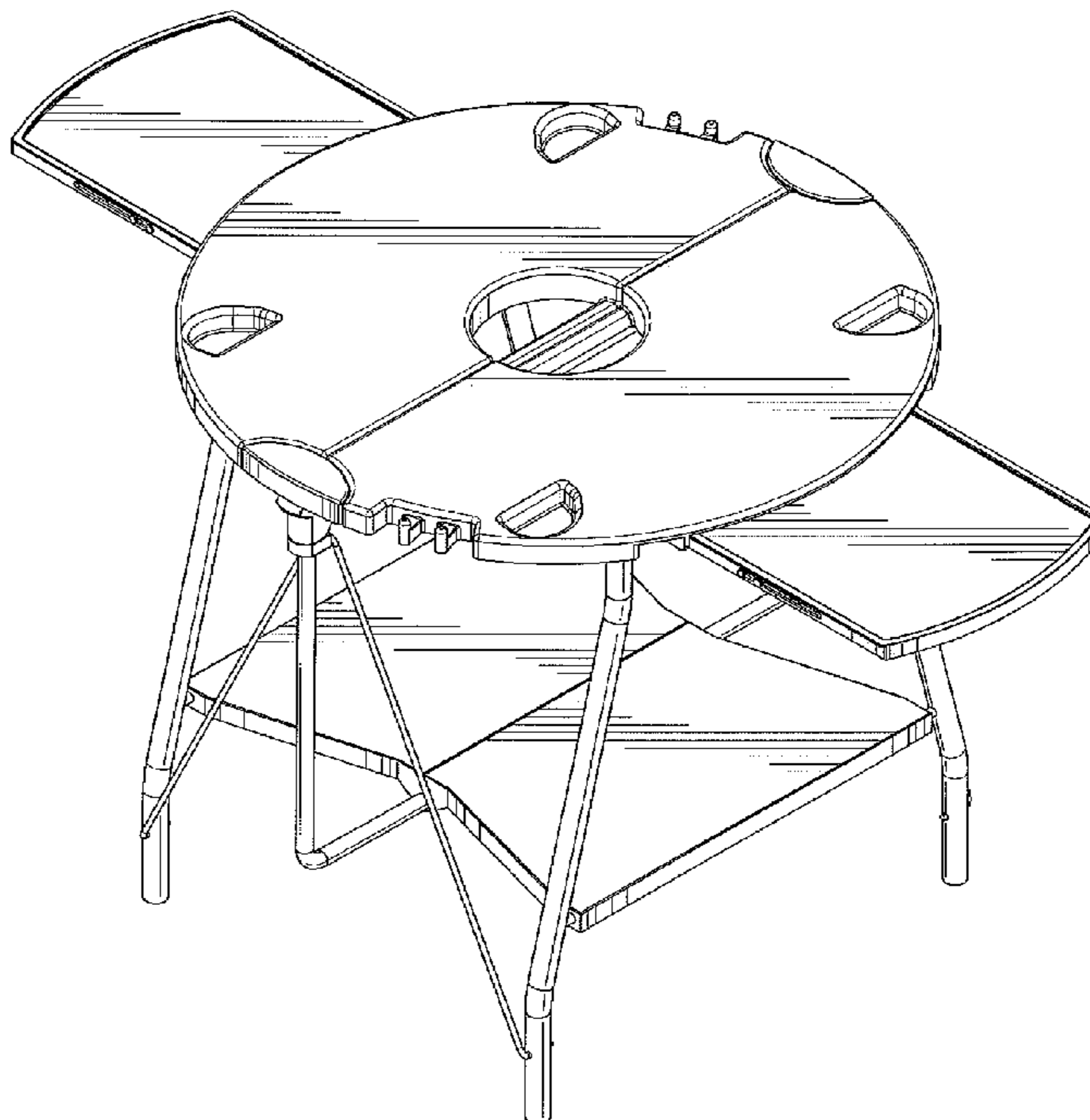
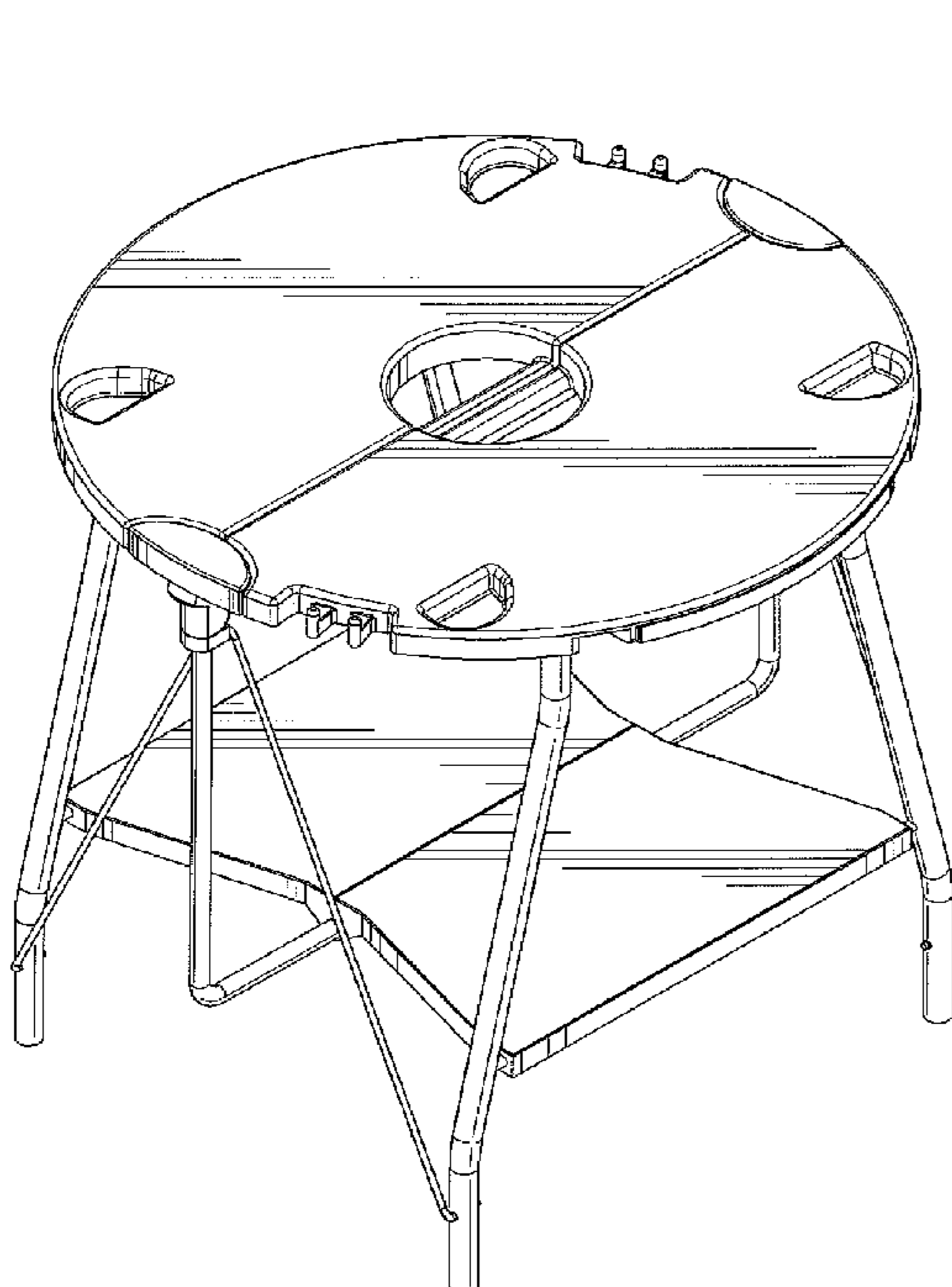
FIG. 4 is a top view thereof;

FIG. 5 is a bottom view thereof;

FIG. 6 is a perspective view thereof, with the shelves in an open position; and,

FIG. 7 is a perspective view thereof, in a collapsed position.

**1 Claim, 5 Drawing Sheets**



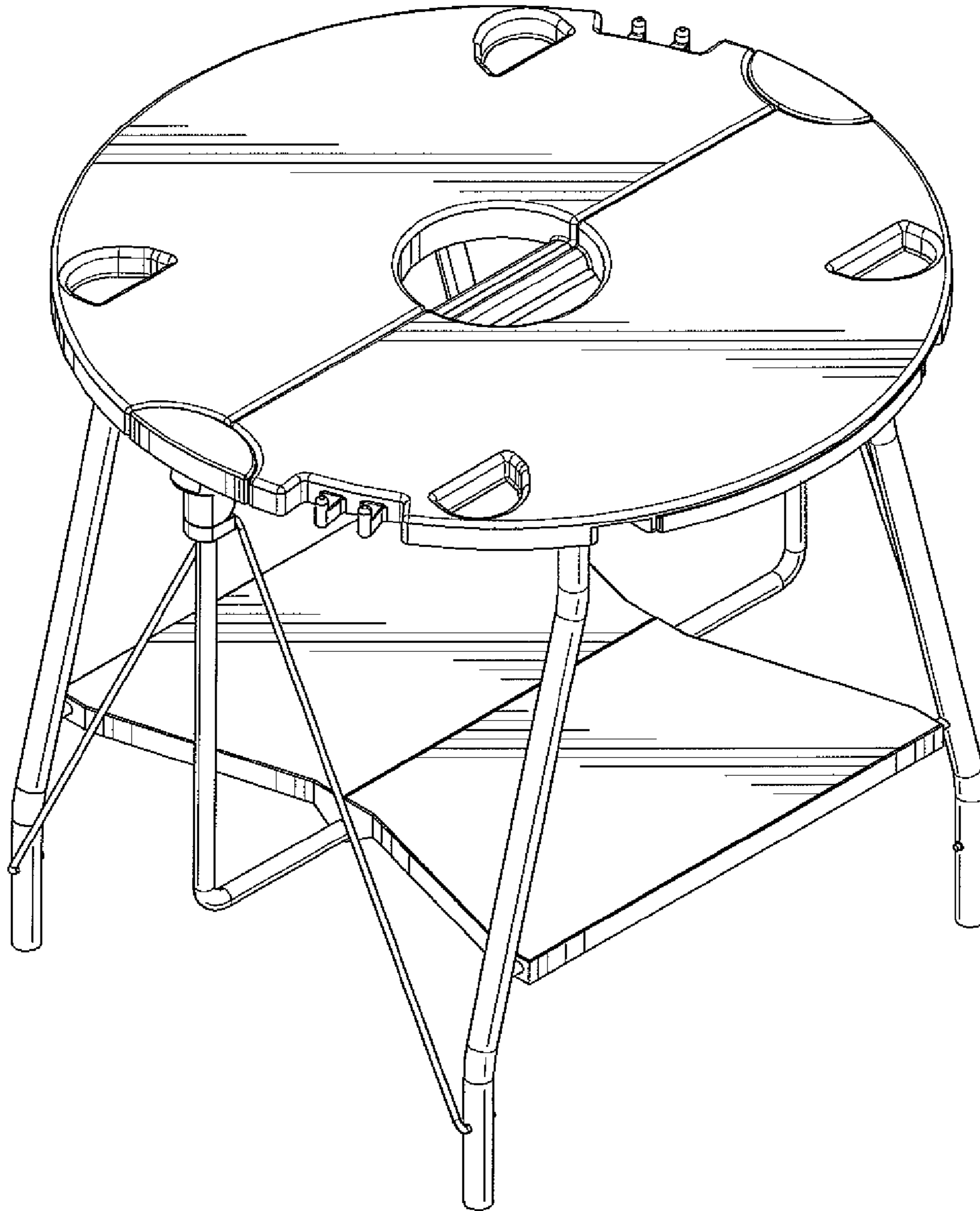


Fig.1

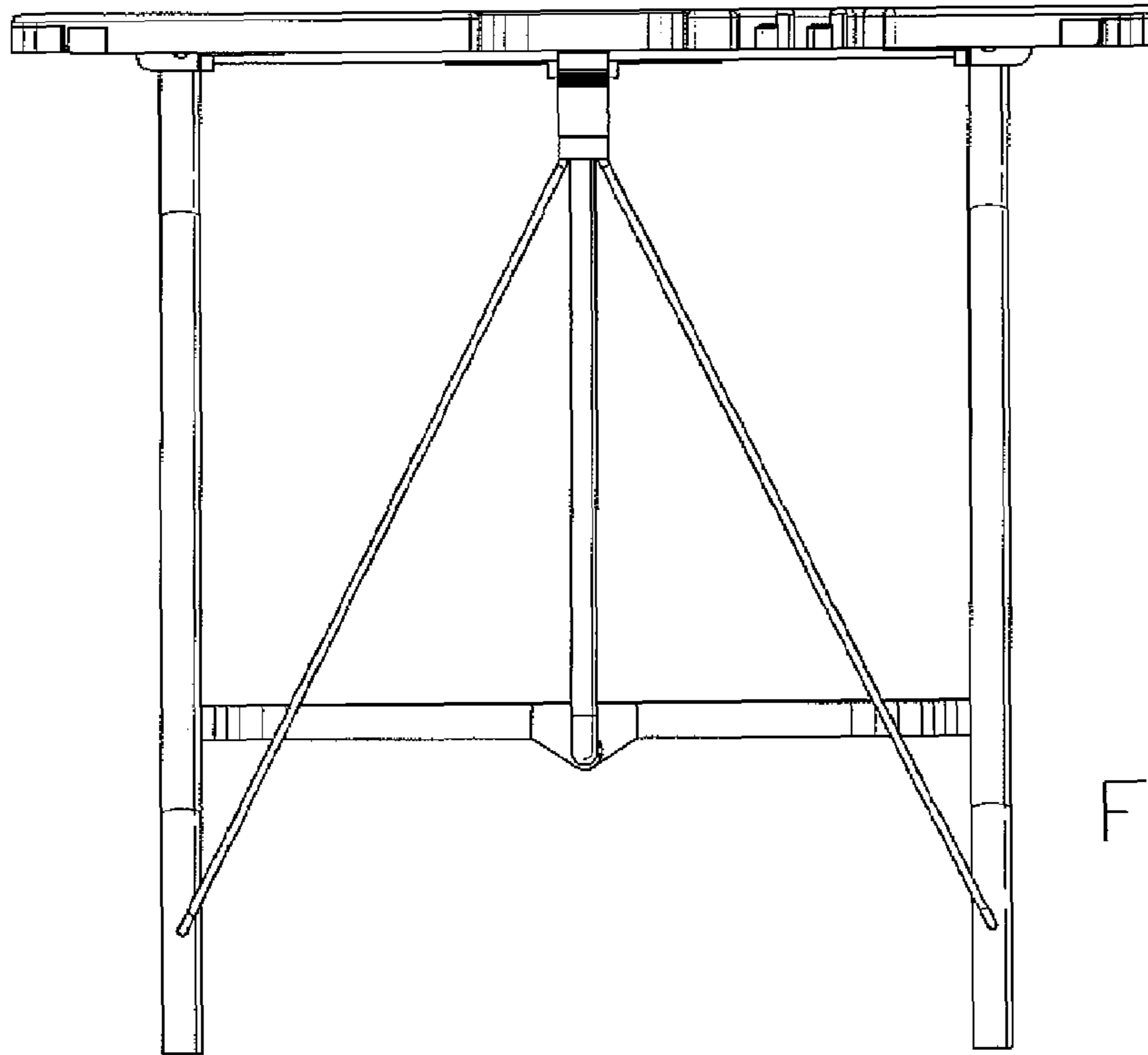


Fig. 2

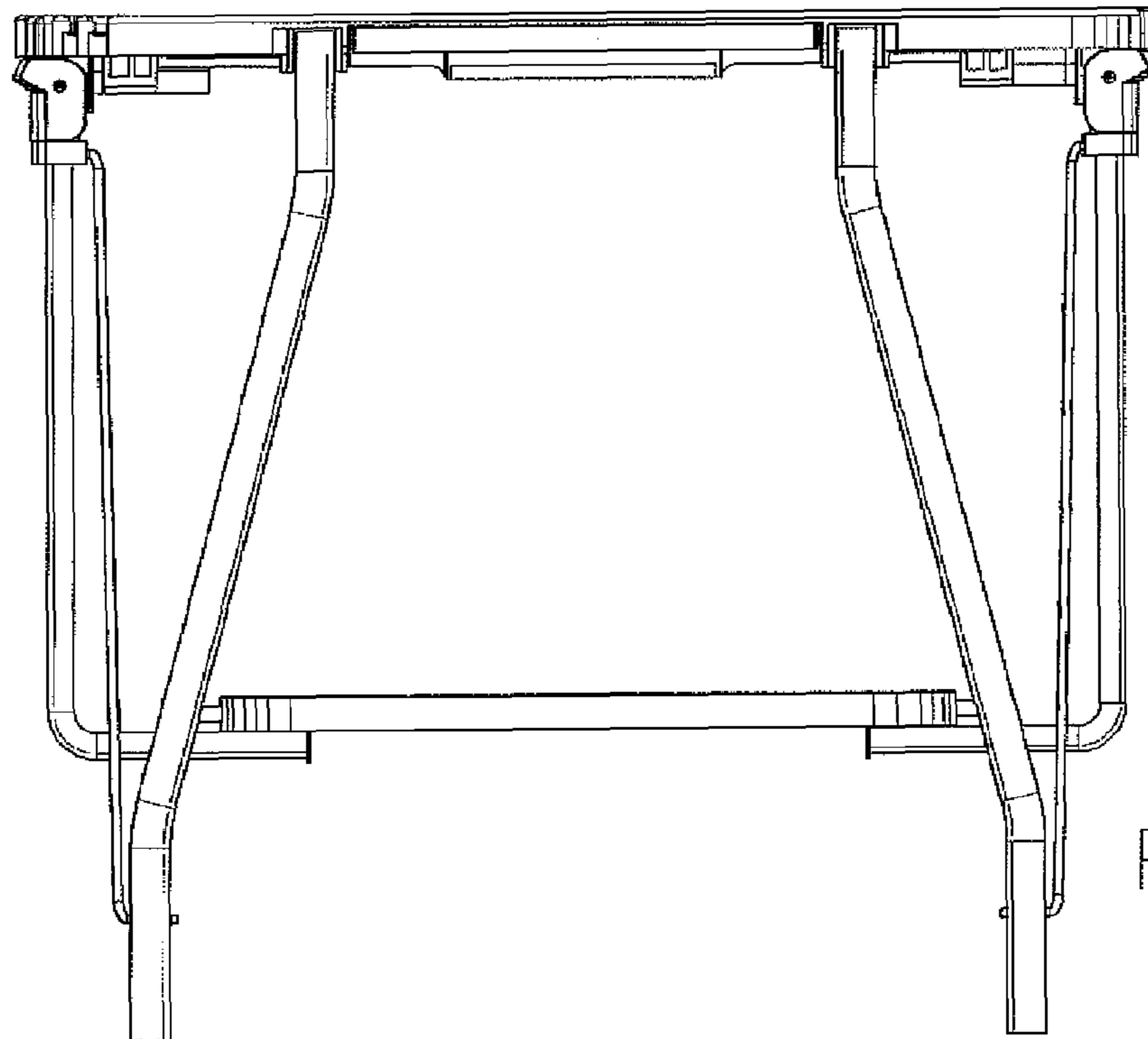


Fig. 3

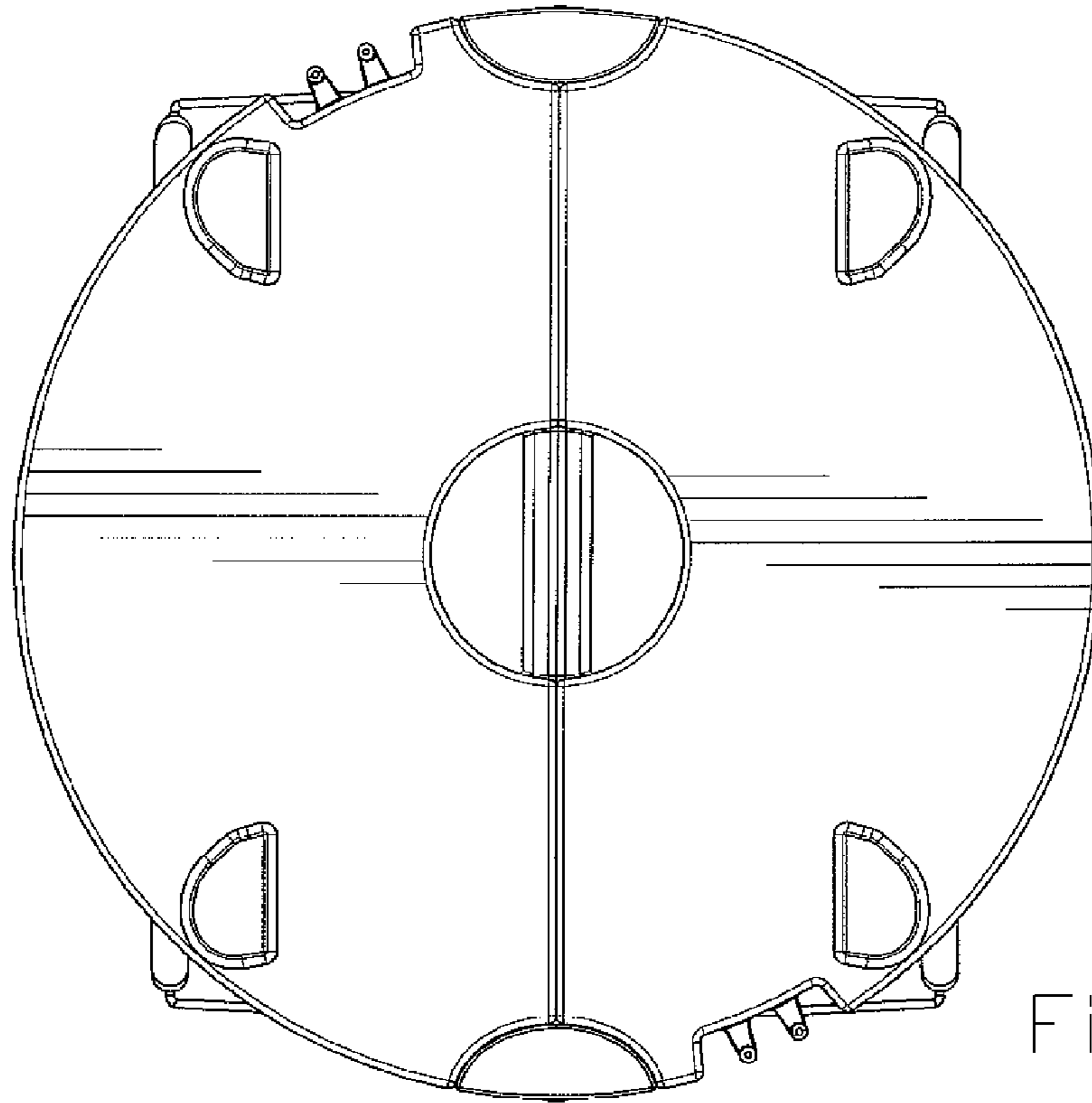


Fig.4

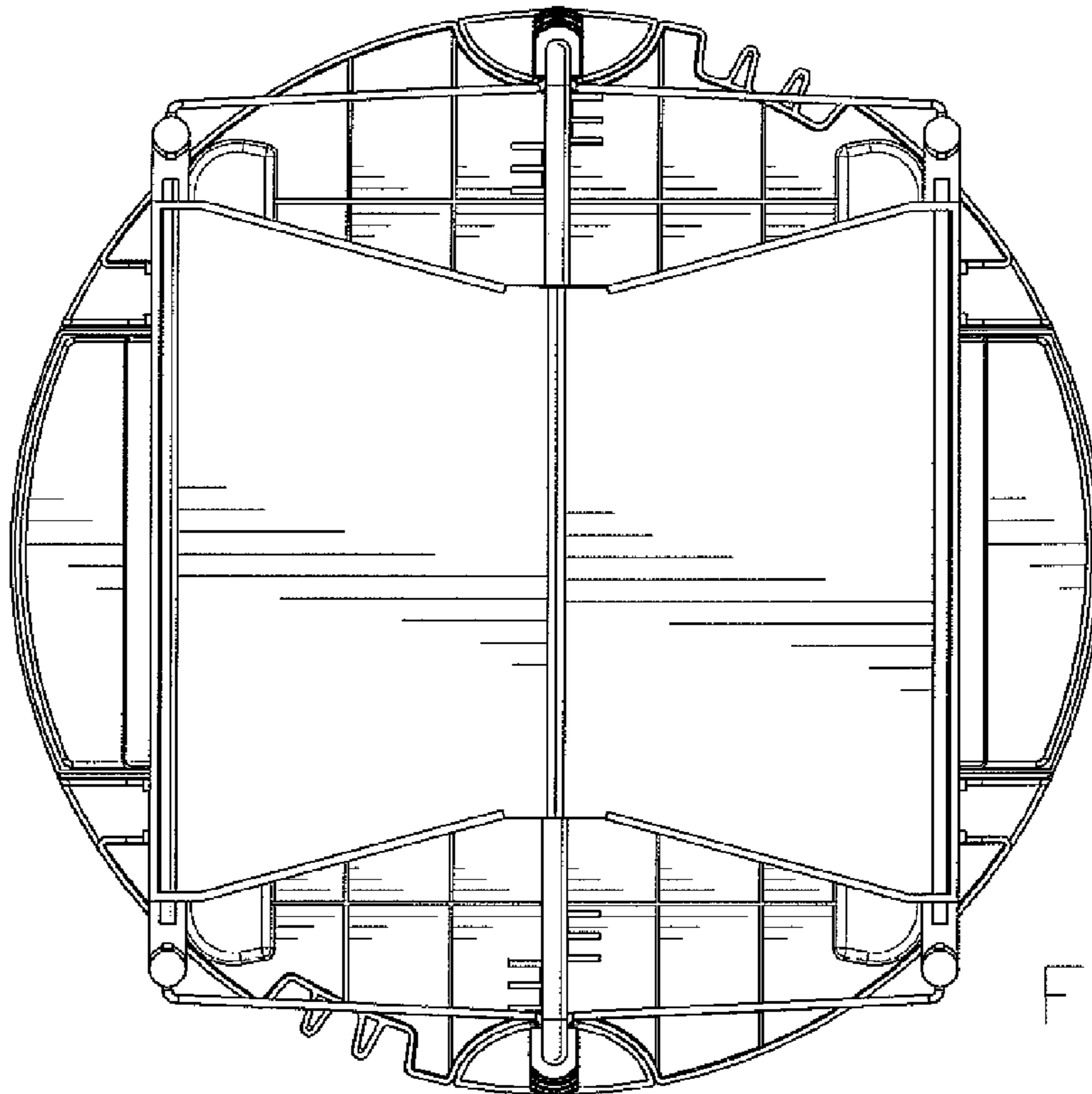


Fig.5

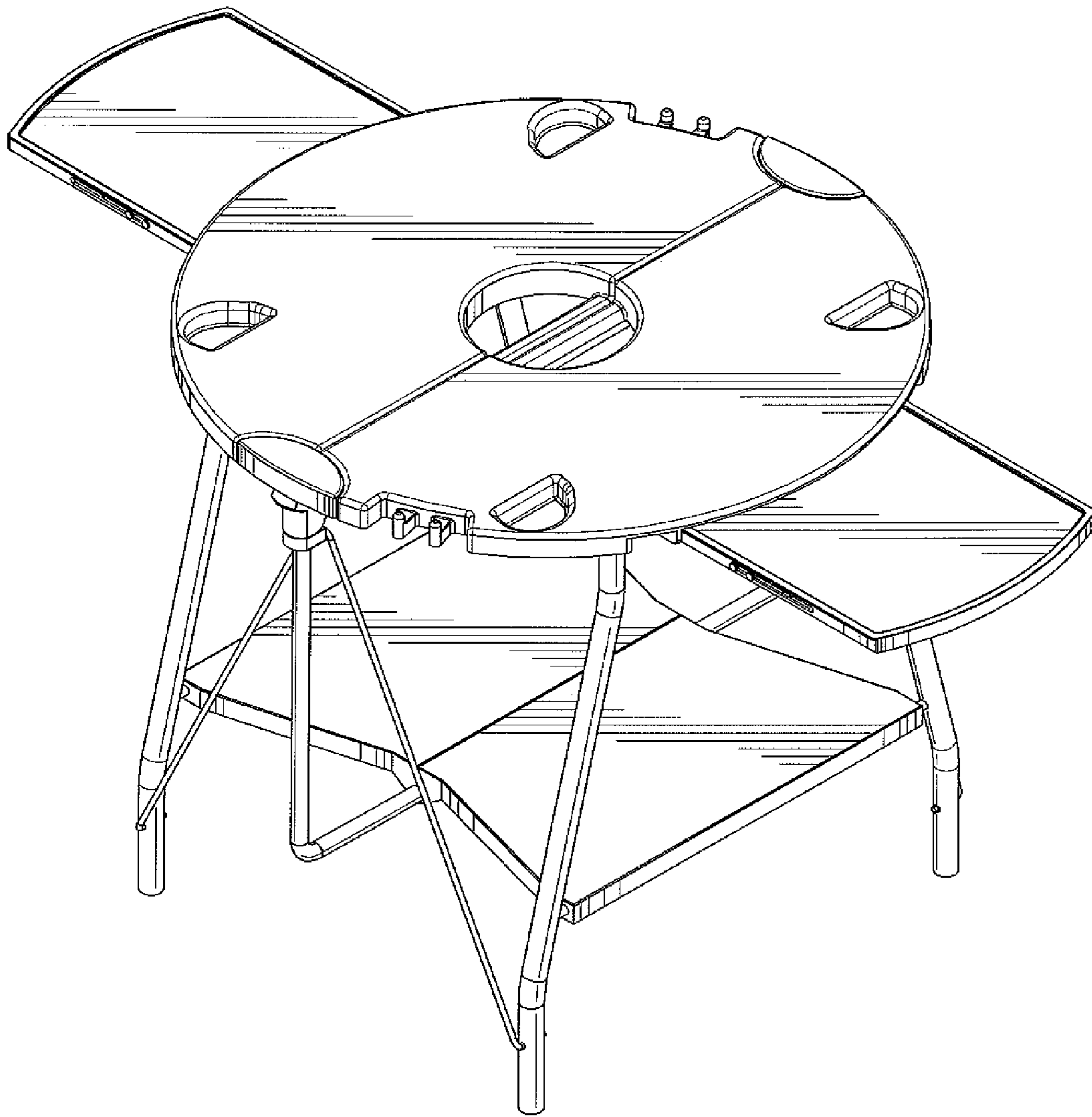


Fig.6



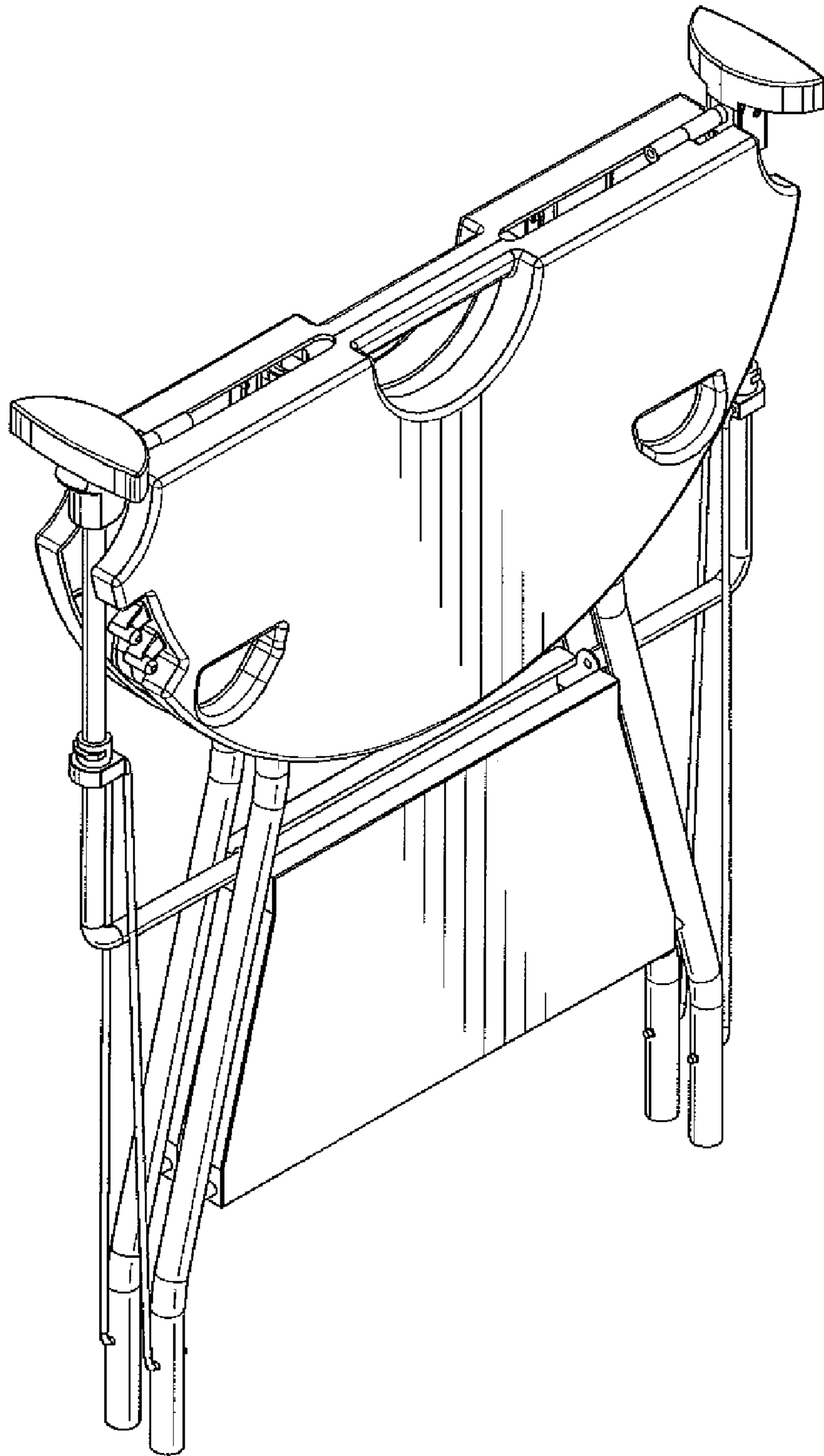


Fig. 7