



US00D579704S

(12) **United States Design Patent**
Giglio et al.

(10) **Patent No.:** **US D579,704 S**
(45) **Date of Patent:** **** Nov. 4, 2008**

(54) **DEVICE TO CONTAIN, DISPLAY, AND DISPENSE DOCUMENTS**

(75) Inventors: **Damon Giglio**, New York, NY (US);
Robert LoMonaco, Monmouth Beach, NJ (US)

(73) Assignee: **Forsalebyowner.com Corp.**, New York, NY (US)

(**) Term: **14 Years**

(21) Appl. No.: **29/288,151**

(22) Filed: **May 31, 2007**

(51) **LOC (8) Cl.** **06-04**

(52) **U.S. Cl.** **D6/567**

(58) **Field of Classification Search** D6/553,
D6/567; D19/25, 86, 88, 99, 100; 206/425,
206/449; 261/13.1, 45, 86.01, 87.01, 113
See application file for complete search history.

(56) **References Cited**

U.S. PATENT DOCUMENTS

- 5,011,039 A 4/1991 Crow
- D357,704 S * 4/1995 Wolff D19/90
- 5,595,300 A 1/1997 Paik et al.
- D410,495 S * 6/1999 Wear D19/90

- D410,686 S * 6/1999 Wear D19/90
- D434,083 S 11/2000 Vance
- D497,755 S * 11/2004 Wood et al. D6/553
- D505,288 S * 5/2005 Bankston et al. D6/553
- 6,976,329 B1 12/2005 Foster

* cited by examiner

Primary Examiner—Brian N Vinson

(74) *Attorney, Agent, or Firm*—Gerald K. White

(57) **CLAIM**

We claim the ornamental design for a device to contain, display, and dispense documents, as shown.

DESCRIPTION

FIG. 1 is a perspective view of a showing our new design, device to contain, display, and dispense documents.

FIG. 2 is a front view thereof.

FIG. 3 is a rear view thereof;

FIGS. 4 and 5 are side views thereof;

FIG. 6 is a top view thereof; and

FIG. 7 is a bottom view thereof; and,

FIG. 8 is a horizontal cross-sectional view of FIG. 1 taken along section line 8—8.

1 Claim, 6 Drawing Sheets

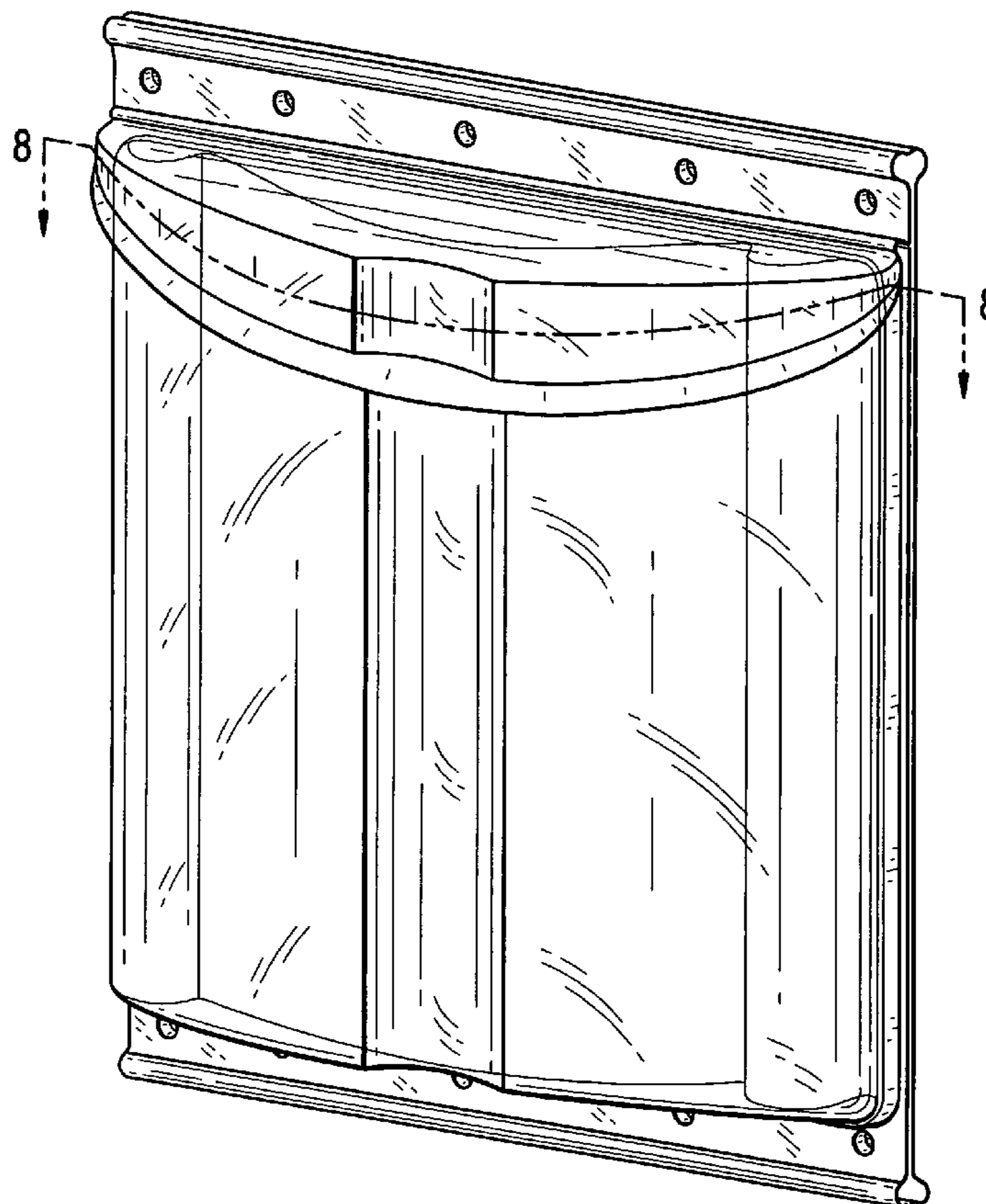


FIG. 1

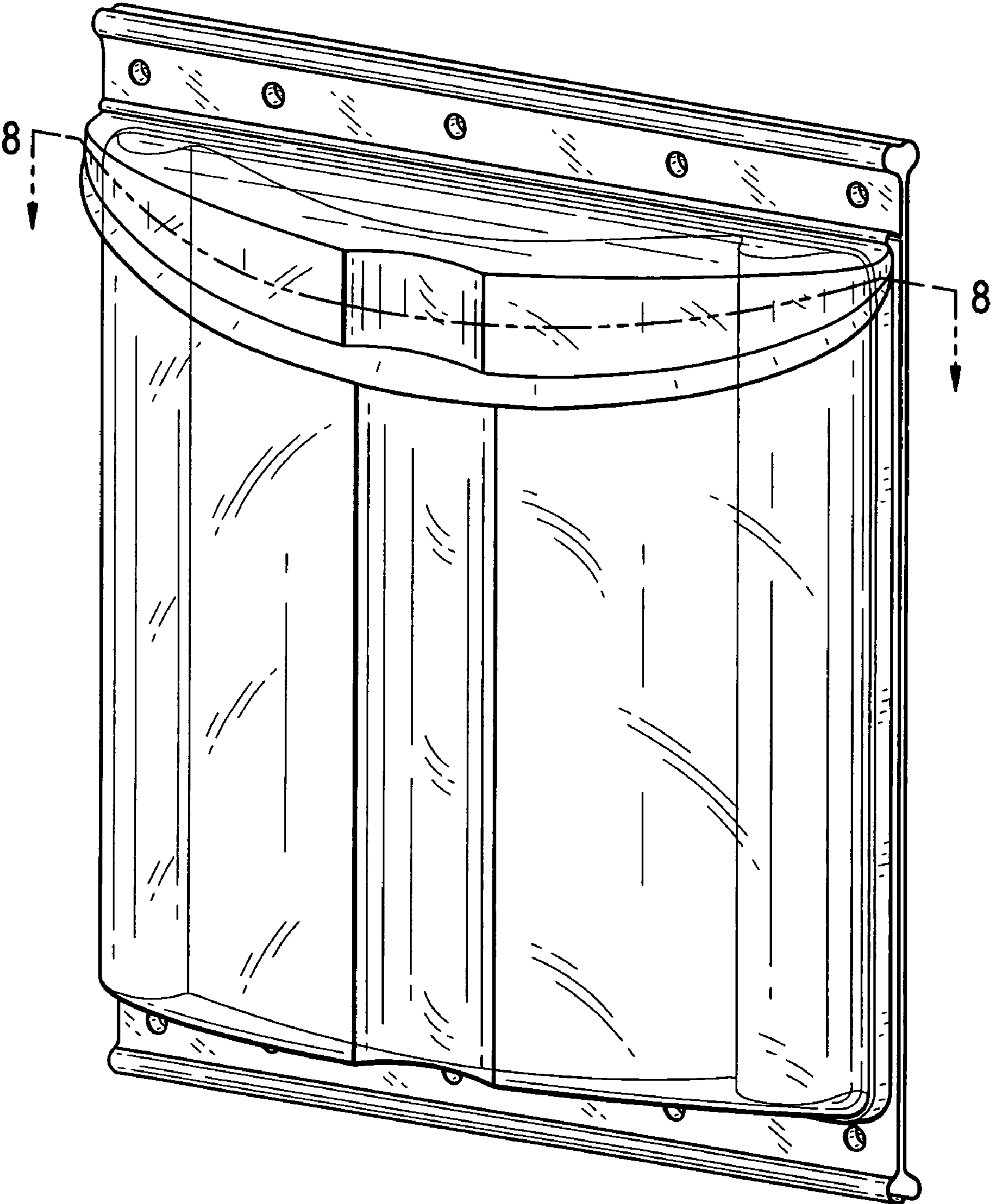


FIG. 2

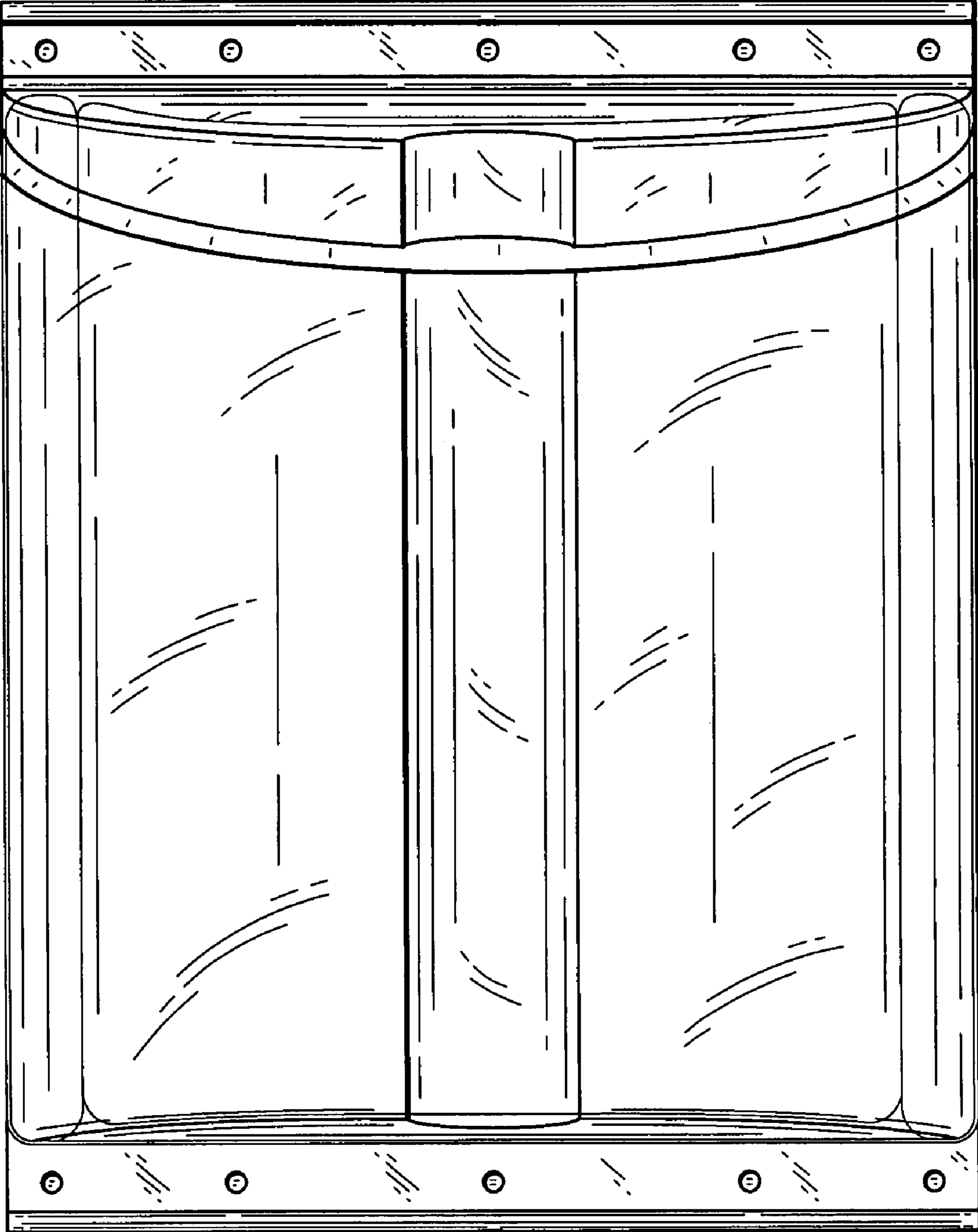


FIG. 3

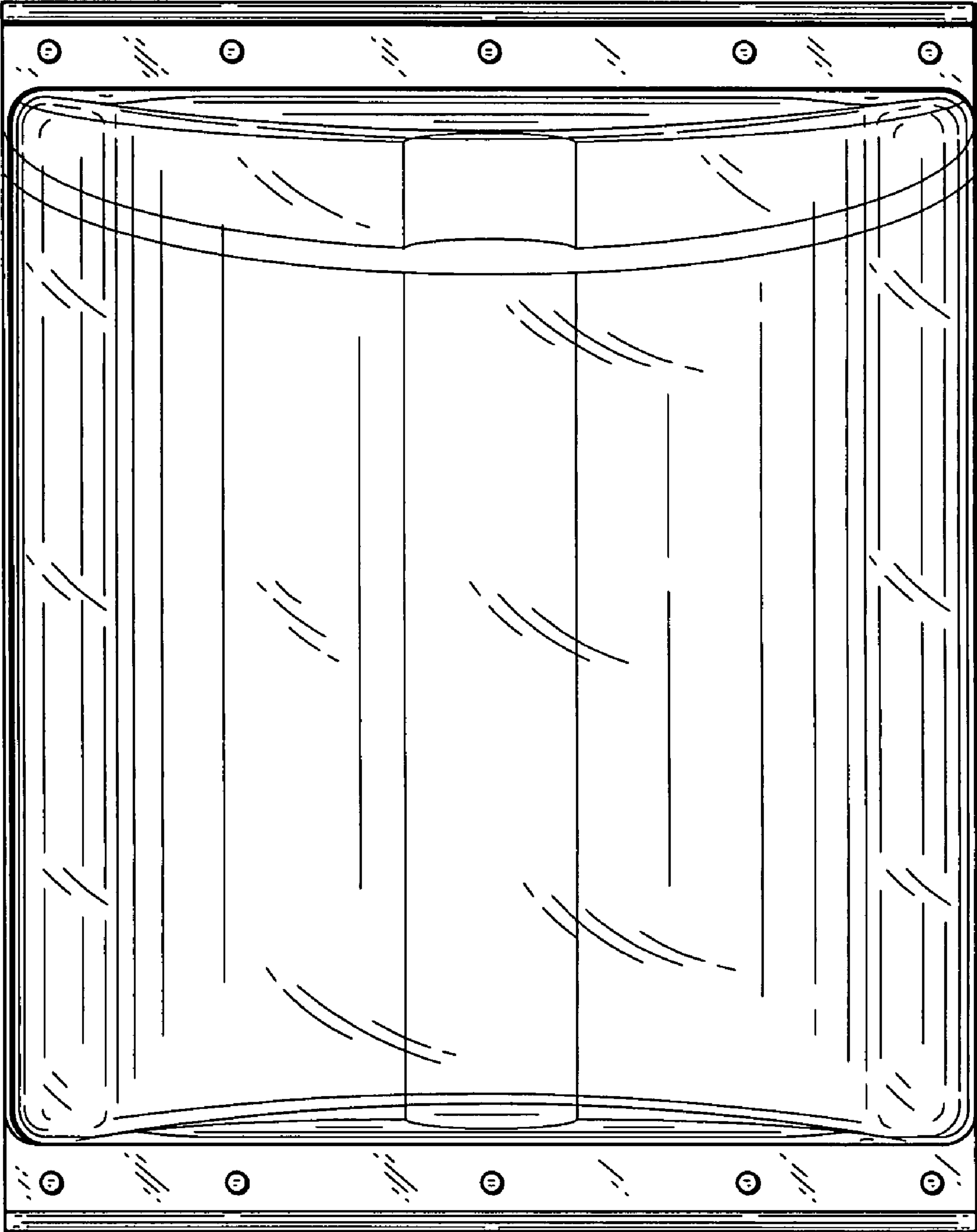


FIG. 4

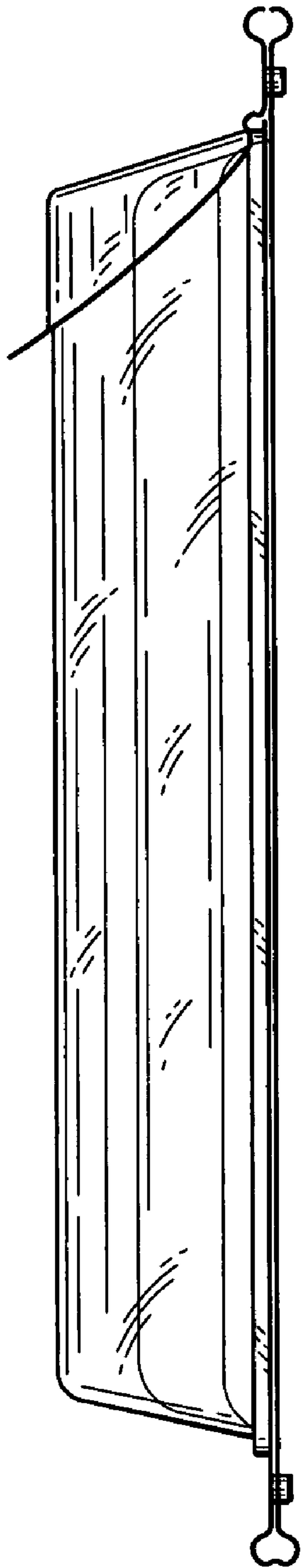


FIG. 5

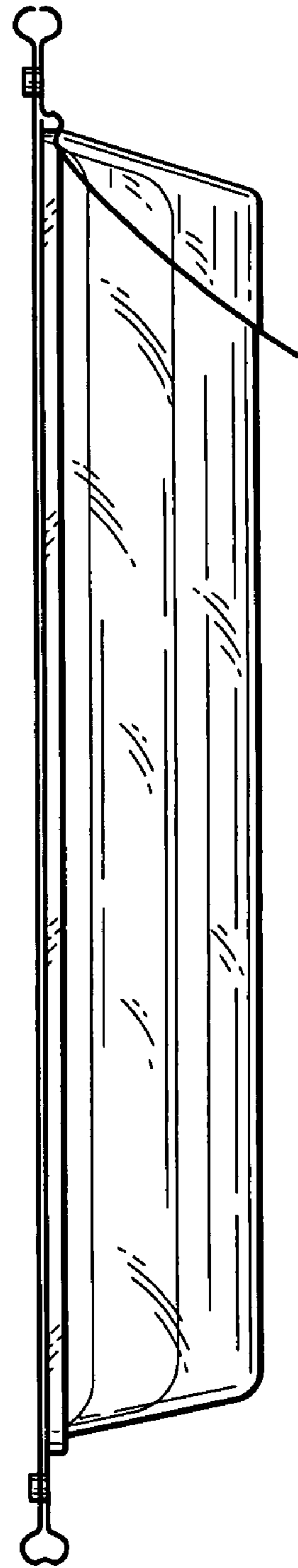


FIG. 6

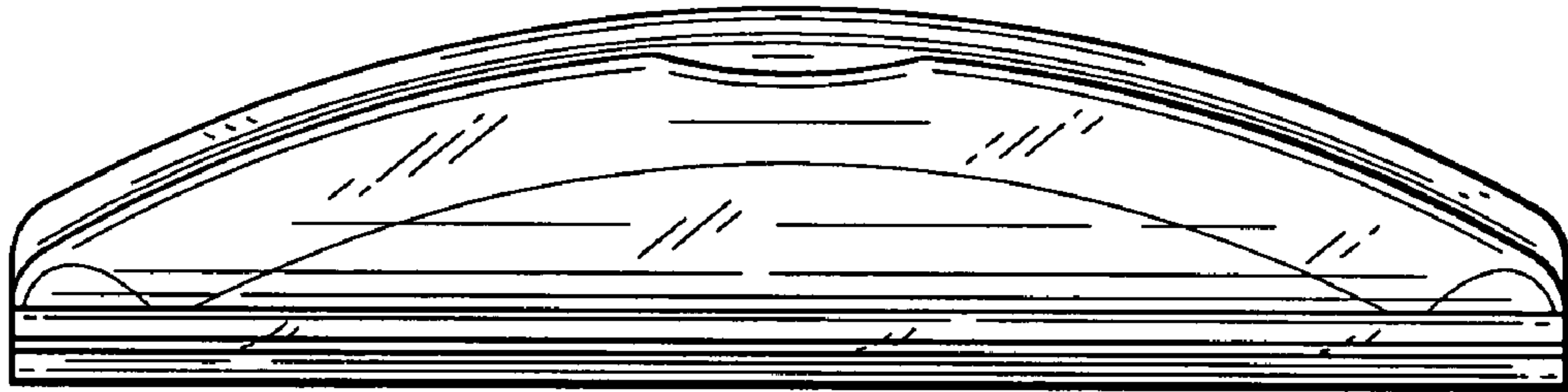


FIG. 7

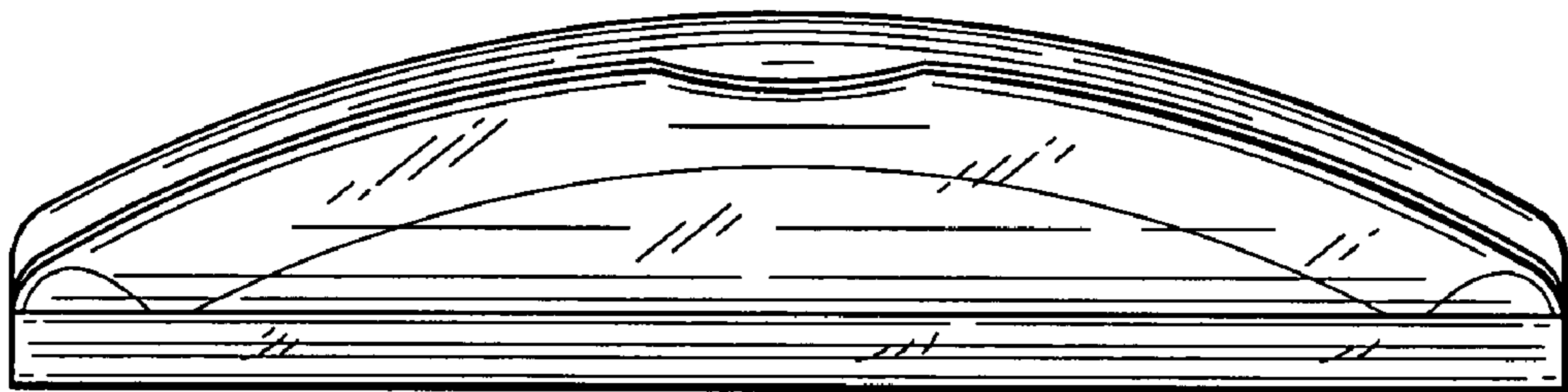


FIG. 8

