



US00D579701S

(12) **United States Design Patent**
Snell

(10) **Patent No.:** **US D579,701 S**
(45) **Date of Patent:** **** Nov. 4, 2008**

(54) **OVER THE CABINET BAG HOLDER**

(75) Inventor: **Russell Benton Snell**, Bentleyville, OH (US)

(73) Assignee: **InterDesign, Inc.**, Solon, OH (US)

(**) Term: **14 Years**

(21) Appl. No.: **29/307,096**

(22) Filed: **Mar. 31, 2008**

(51) **LOC (8) Cl.** **20-02**

(52) **U.S. Cl.** **D6/513**

(58) **Field of Classification Search** D6/513-523,
D6/566, 567; 211/13.1, 44, 45, 49.1, 50,
211/59.2, 86.01, 87.01; 206/554; 221/222,
221/33, 45, 134, 181-182

See application file for complete search history.

(56) **References Cited**

U.S. PATENT DOCUMENTS

5,368,910	A *	11/1994	Langdon	206/554
D358,325	S *	5/1995	McNaughton	D6/515
D450,213	S	11/2001	Snell		
D464,516	S	10/2002	Snell		
D479,663	S	9/2003	Snell		
D482,915	S *	12/2003	Yang et al.	D6/515
D507,715	S *	7/2005	Yang et al.	D6/515
D512,223	S	12/2005	Snell		

OTHER PUBLICATIONS

2006 InterDesign, Inc. product brochure, p. 12, 15, 16, 17, 22 w/front & back cover.

* cited by examiner

Primary Examiner—Brian N Vinson

(74) *Attorney, Agent, or Firm*—D. Peter Hochberg; Sean F. Mellino; Daniel J. Smola

(57) **CLAIM**

The ornamental design for an over the cabinet bag holder, as shown and described.

DESCRIPTION

FIG. 1 is a perspective view of the over the cabinet bag holder according to the invention;

FIG. 2 is a top view of the over the cabinet bag holder as shown in FIG. 1;

FIG. 3 is a front view of the over the cabinet bag holder as shown in FIG. 1;

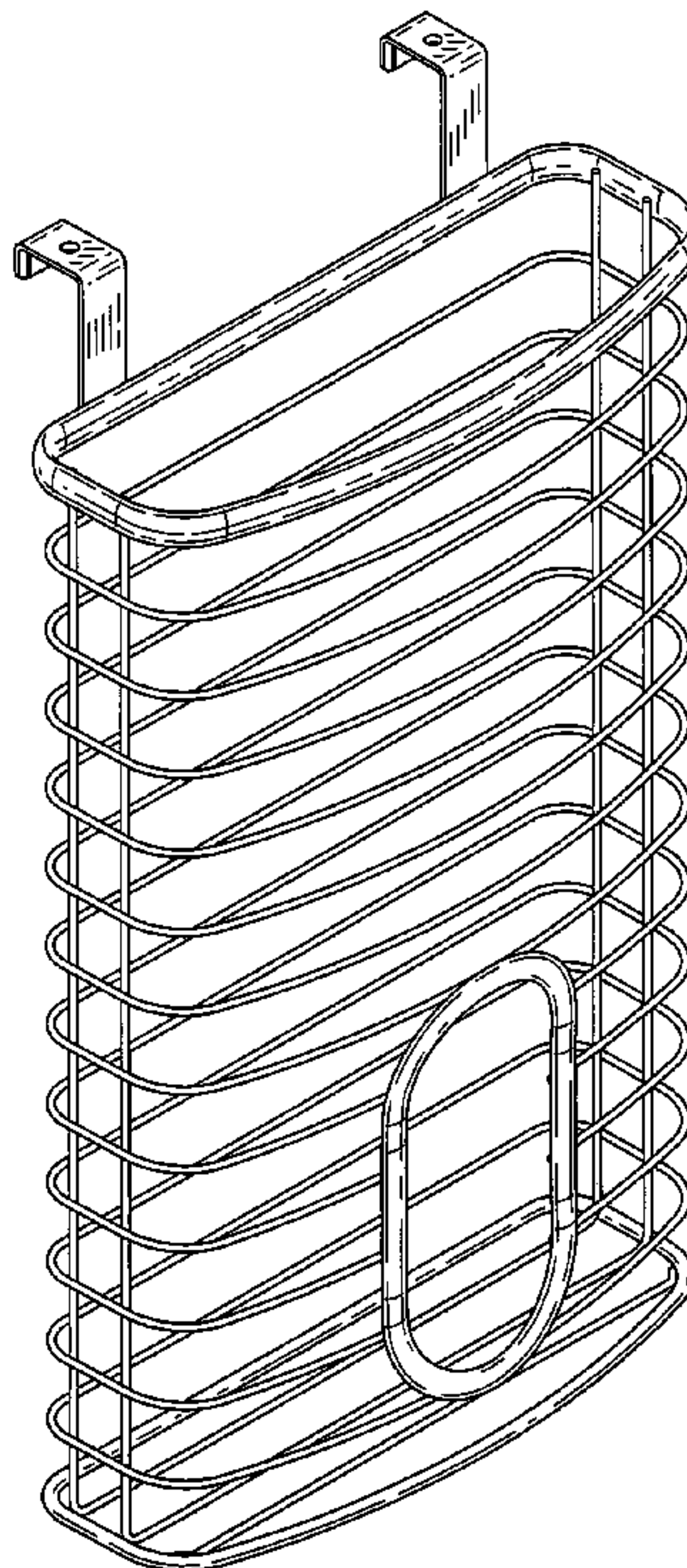
FIG. 4 is a side view of the over the cabinet bag holder as shown in FIG. 1;

FIG. 5 is a rear view of the over the cabinet bag holder as shown in FIG. 1;

FIG. 6 is a side view of the over the cabinet bag holder as shown in FIG. 1, shown from the opposite side as that shown in FIG. 4; and,

FIG. 7 is a bottom view of the over the cabinet bag holder as shown in FIG. 1.

1 Claim, 3 Drawing Sheets



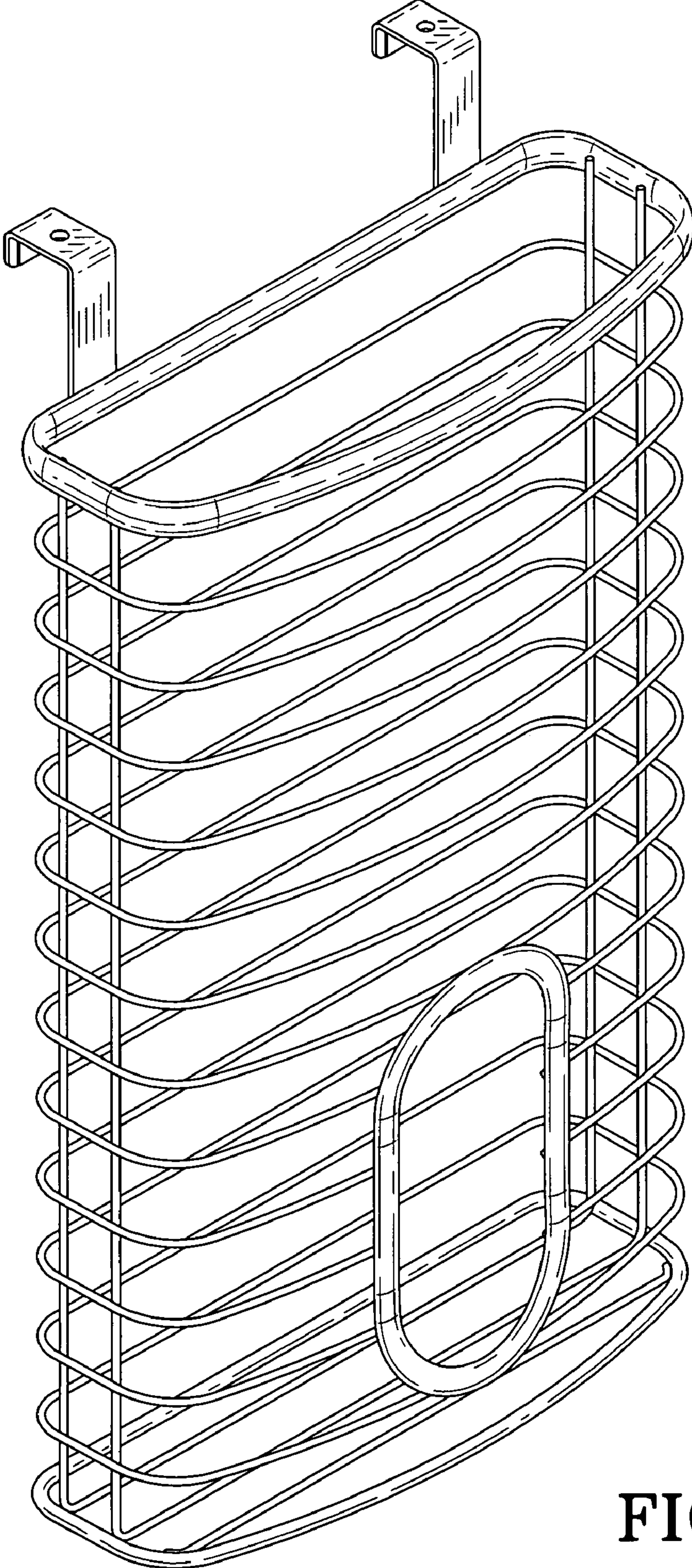


FIG-1

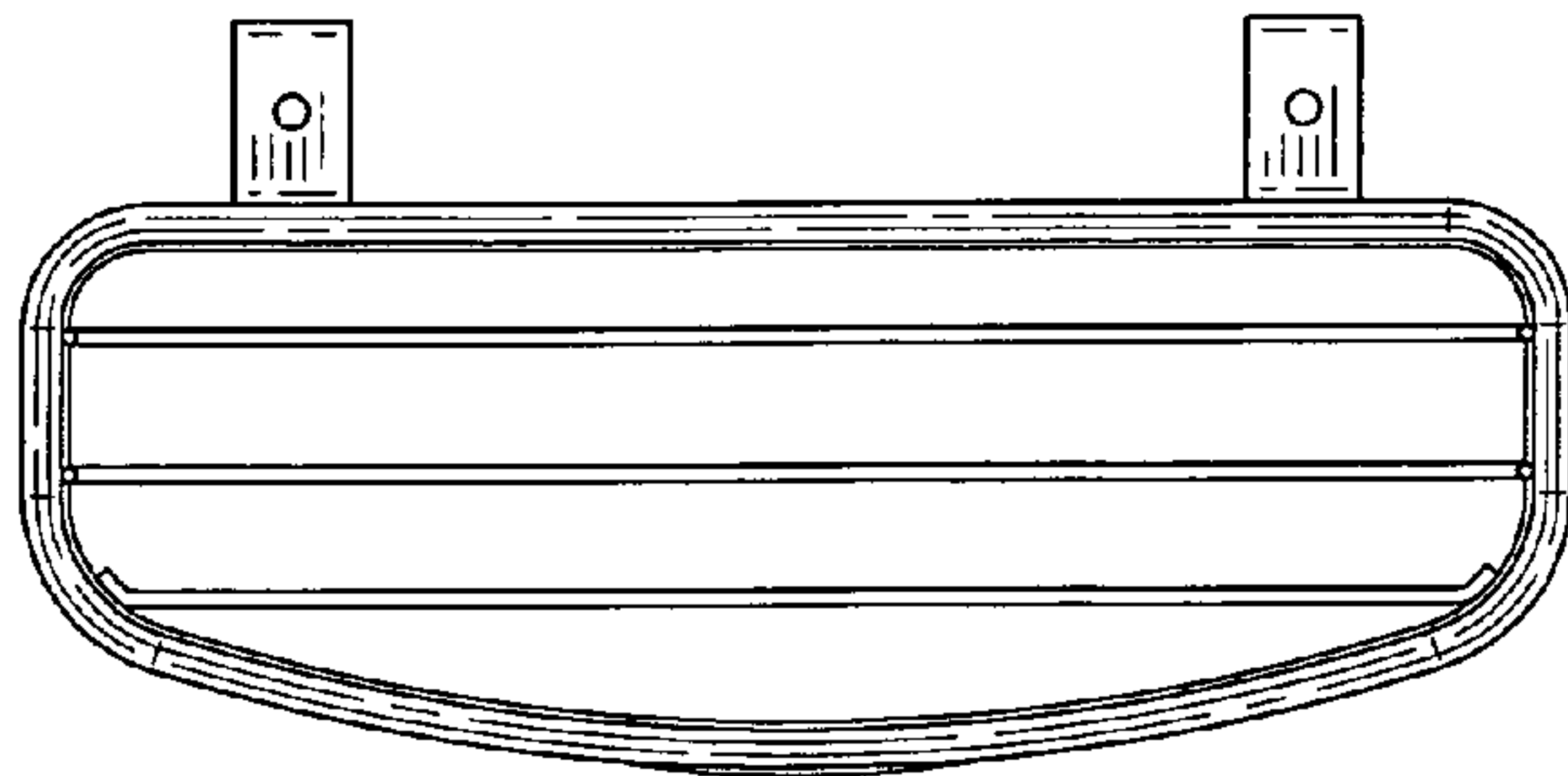


FIG-2

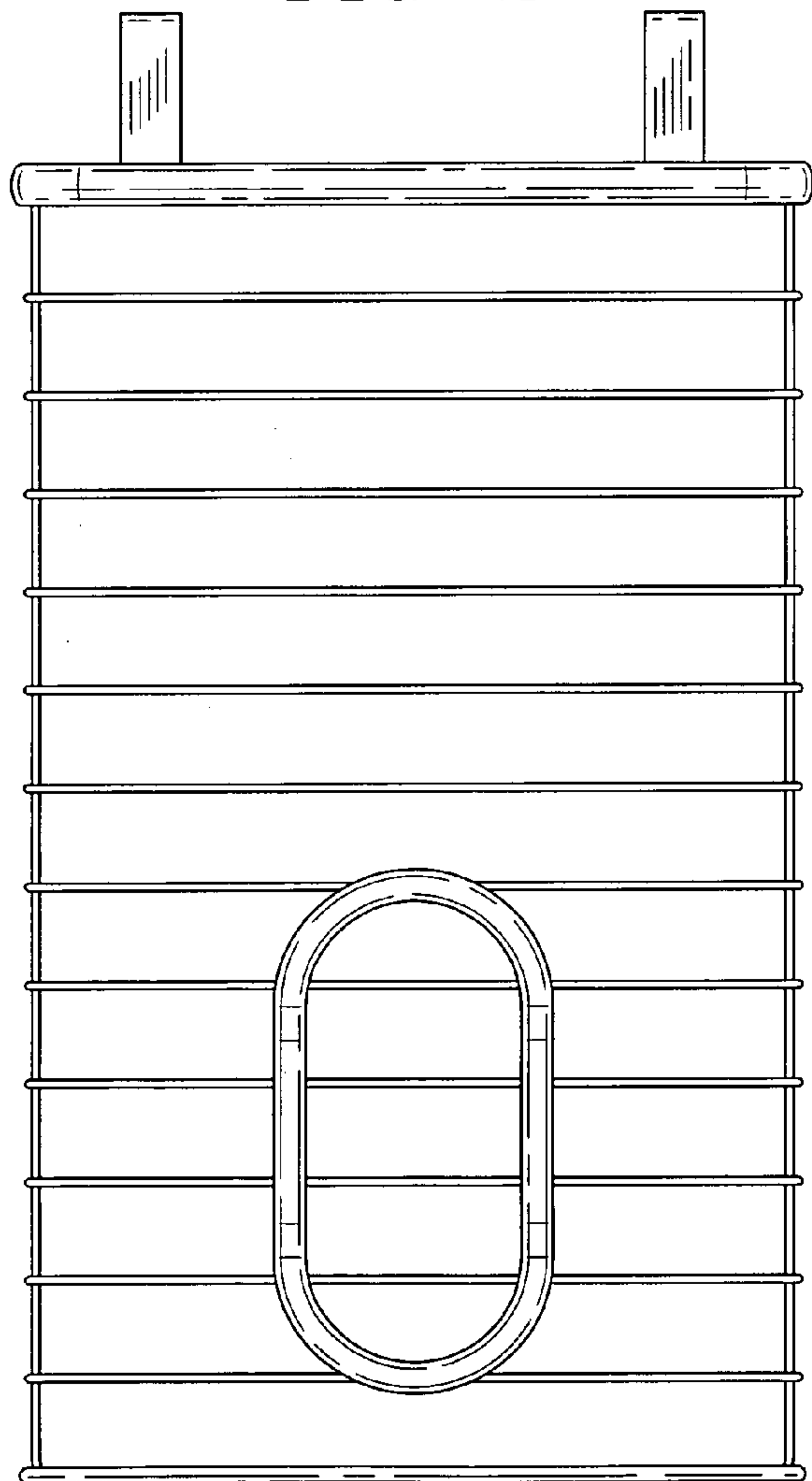


FIG-3

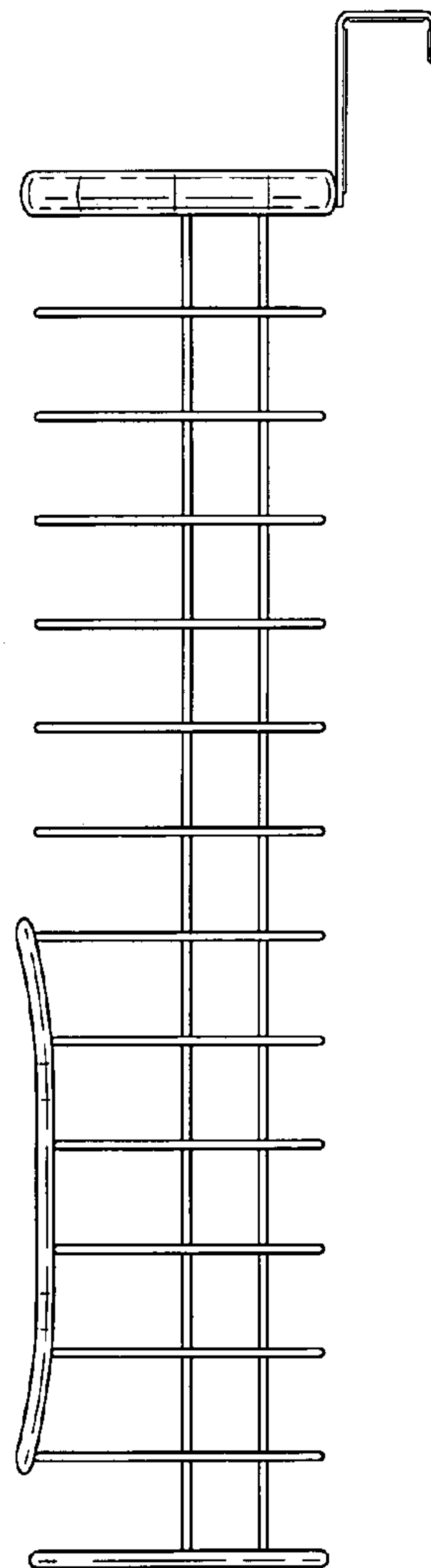


FIG-4

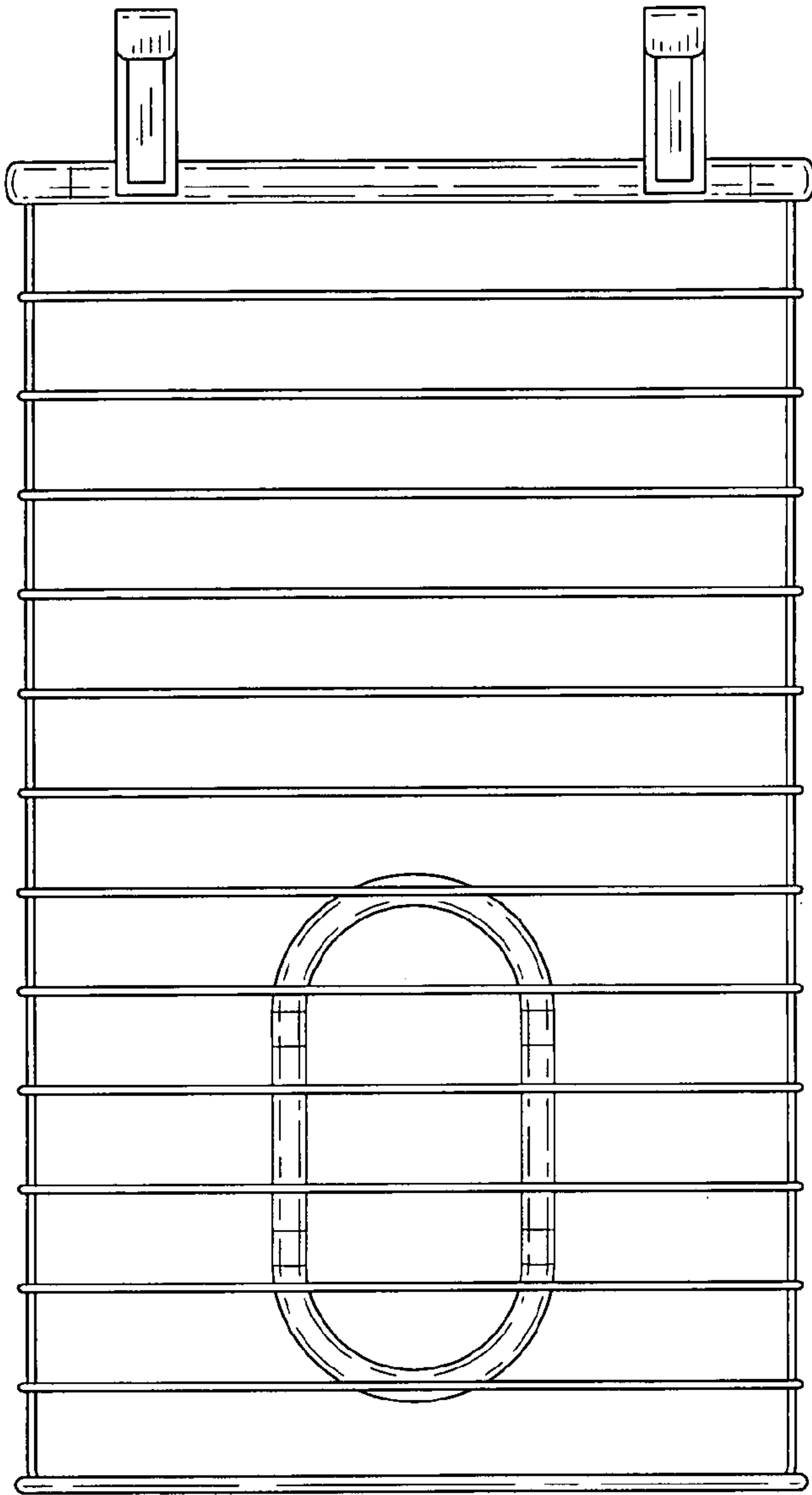


FIG-5

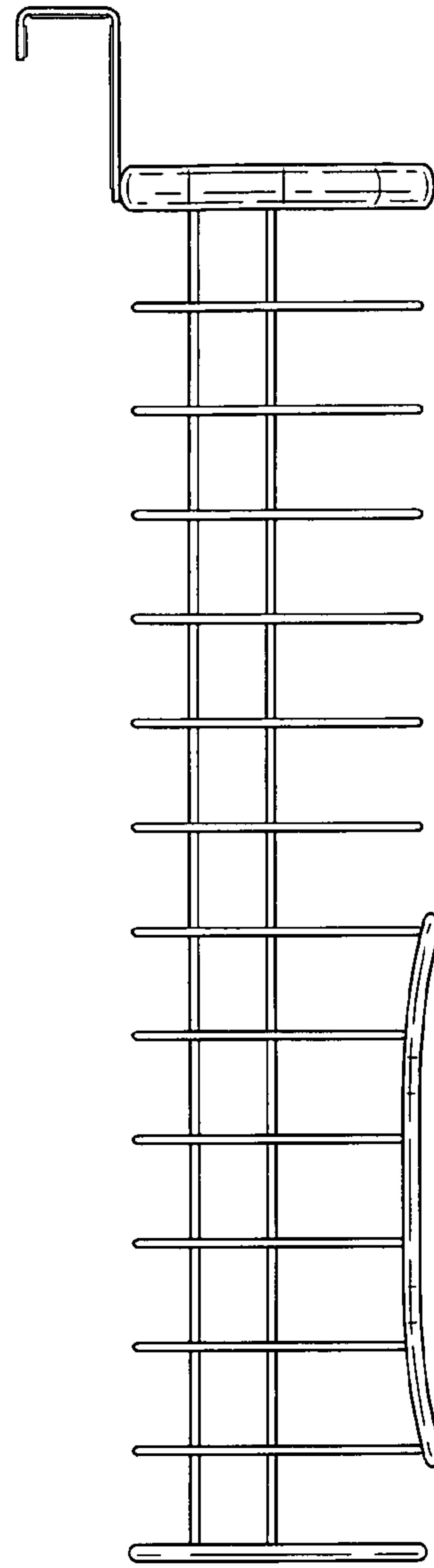


FIG-6

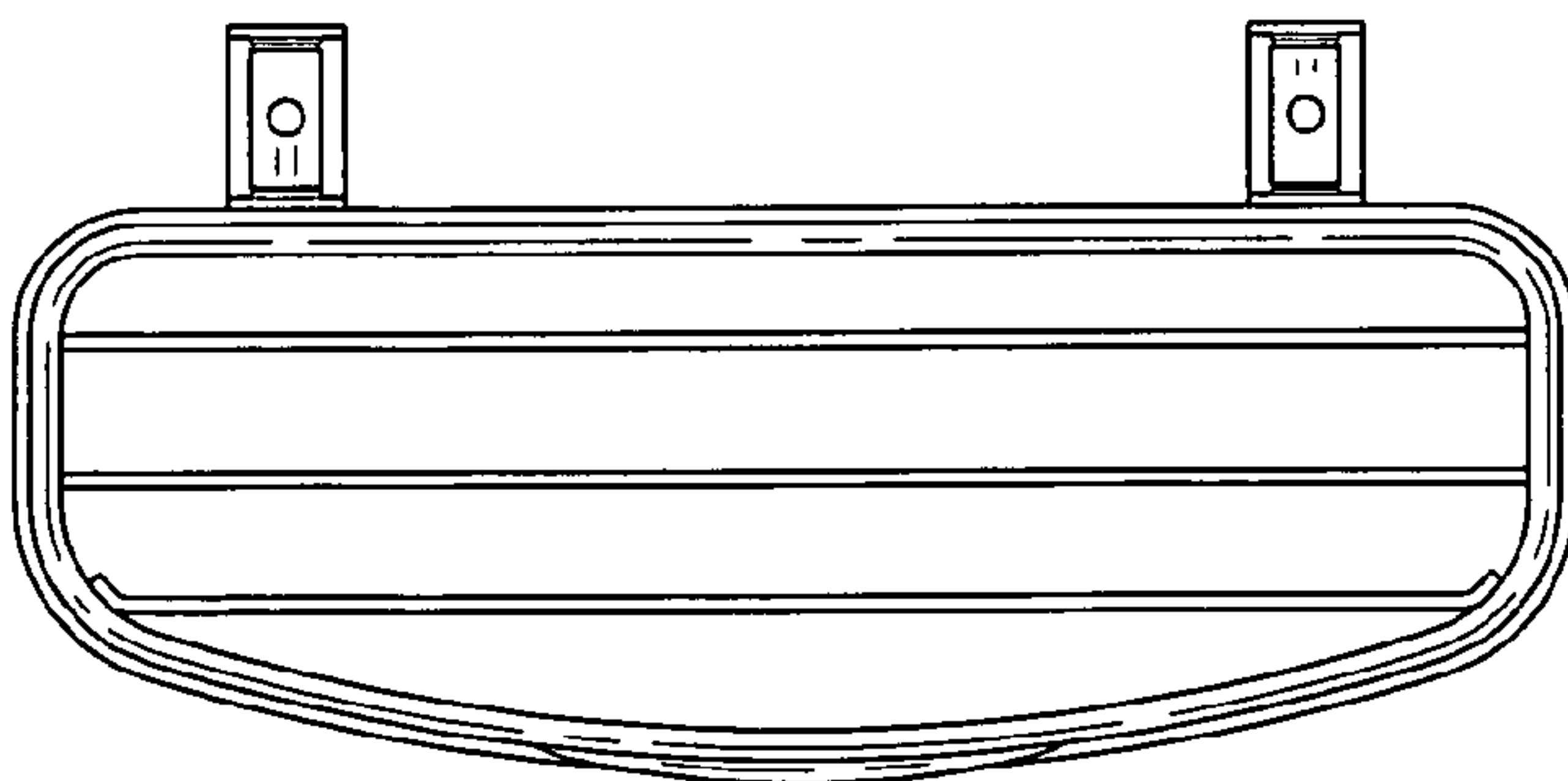


FIG-7