



US00D579699S

(12) **United States Design Patent**
Reyes et al.

(10) **Patent No.:** **US D579,699 S**
(45) **Date of Patent:** **** Nov. 4, 2008**

(54) **DESK**

(75) Inventors: **Reginaldo C. Reyes**, Minneapolis, MN (US); **Jonah M. Scholen**, Minneapolis, MN (US)

(73) Assignee: **Target Brands, Inc.**, Minneapolis, MN (US)

(**) Term: **14 Years**

(21) Appl. No.: **29/319,733**

(22) Filed: **Jun. 13, 2008**
(Under 37 CFR 1.47)

Related U.S. Application Data

(63) Continuation of application No. 29/279,335, filed on Apr. 27, 2007, now Pat. No. Des. 572,037.

(51) **LOC (8) Cl.** **06-06**

(52) **U.S. Cl.** **D6/511; D6/426**

(58) **Field of Classification Search** D6/422-428, D6/397, 480, 421, 477, 479, 509, 511, 491, D6/481; 312/194-196, 238; 108/50.01, 108/50.02

See application file for complete search history.

(56) **References Cited**

U.S. PATENT DOCUMENTS

D239,227 S 3/1976 Vogt
D278,770 S 5/1985 Koguma

D281,294 S 11/1985 Hoppe
D435,368 S * 12/2000 Tzeng D6/480
D449,750 S * 10/2001 Antonioni D6/481
D471,376 S 3/2003 Cizmar
D471,733 S 3/2003 Cizmar
D478,225 S 8/2003 Wang
D521,277 S * 5/2006 Quintal D6/481
D530,939 S * 10/2006 Nakamura D6/425
D572,037 S * 7/2008 Reyes et al. D6/426

* cited by examiner

Primary Examiner—Janice E Seeger

(74) *Attorney, Agent, or Firm*—Ingrassia Fisher & Lorenz, P.C.

(57) **CLAIM**

The ornamental design for a desk, as shown and described.

DESCRIPTION

FIG. 1 is a perspective view of a desk showing our new design;

FIG. 2 is a front view of thereof;

FIG. 3 is a rear view thereof;

FIG. 4 is a left side view of thereof;

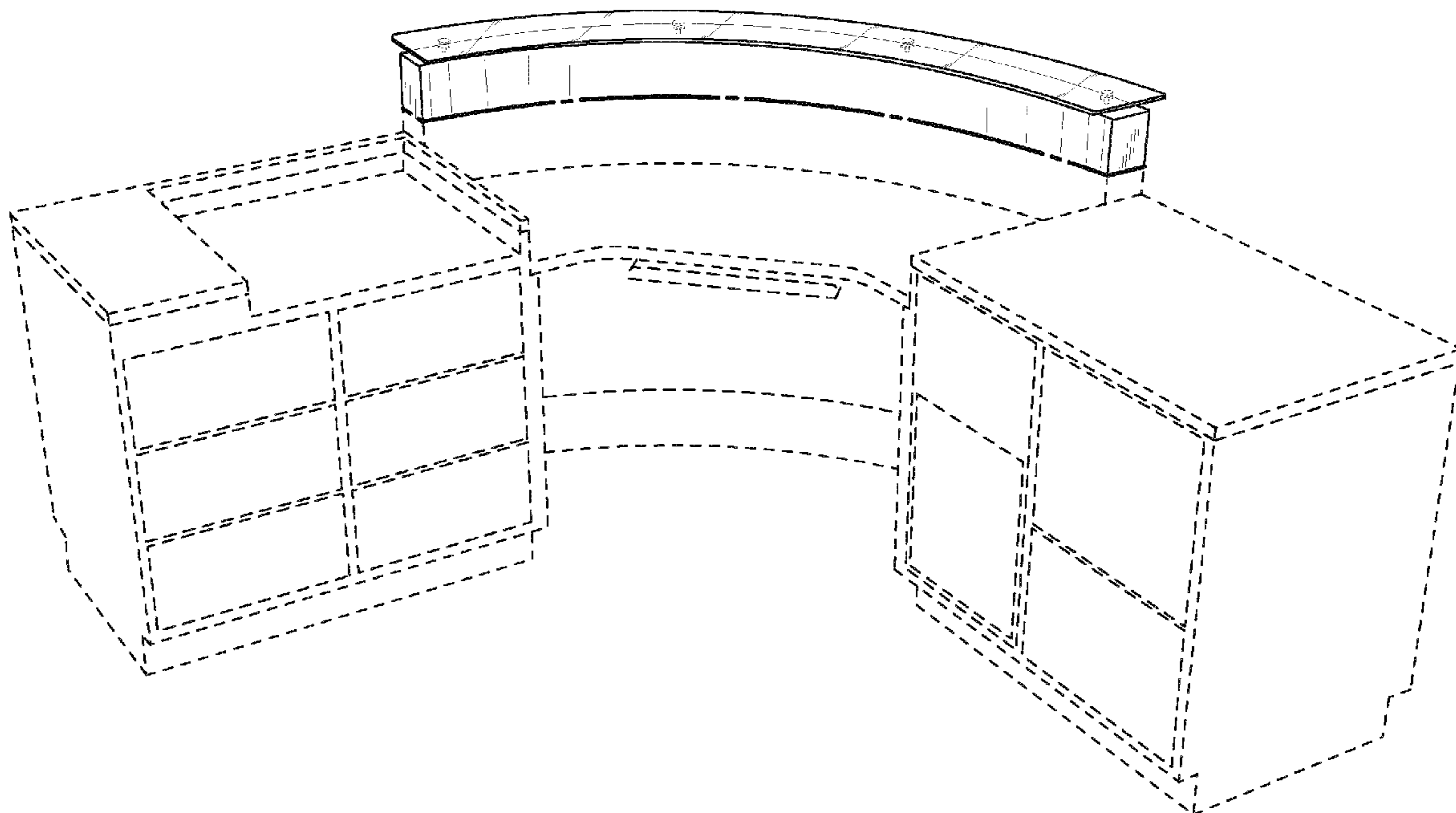
FIG. 5 is a right side view thereof;

FIG. 6 is a top view thereof; and,

FIG. 7 is a bottom view thereof.

The broken lines shown in the figures are for illustrative purposes only and form no part of the claimed design.

1 Claim, 5 Drawing Sheets



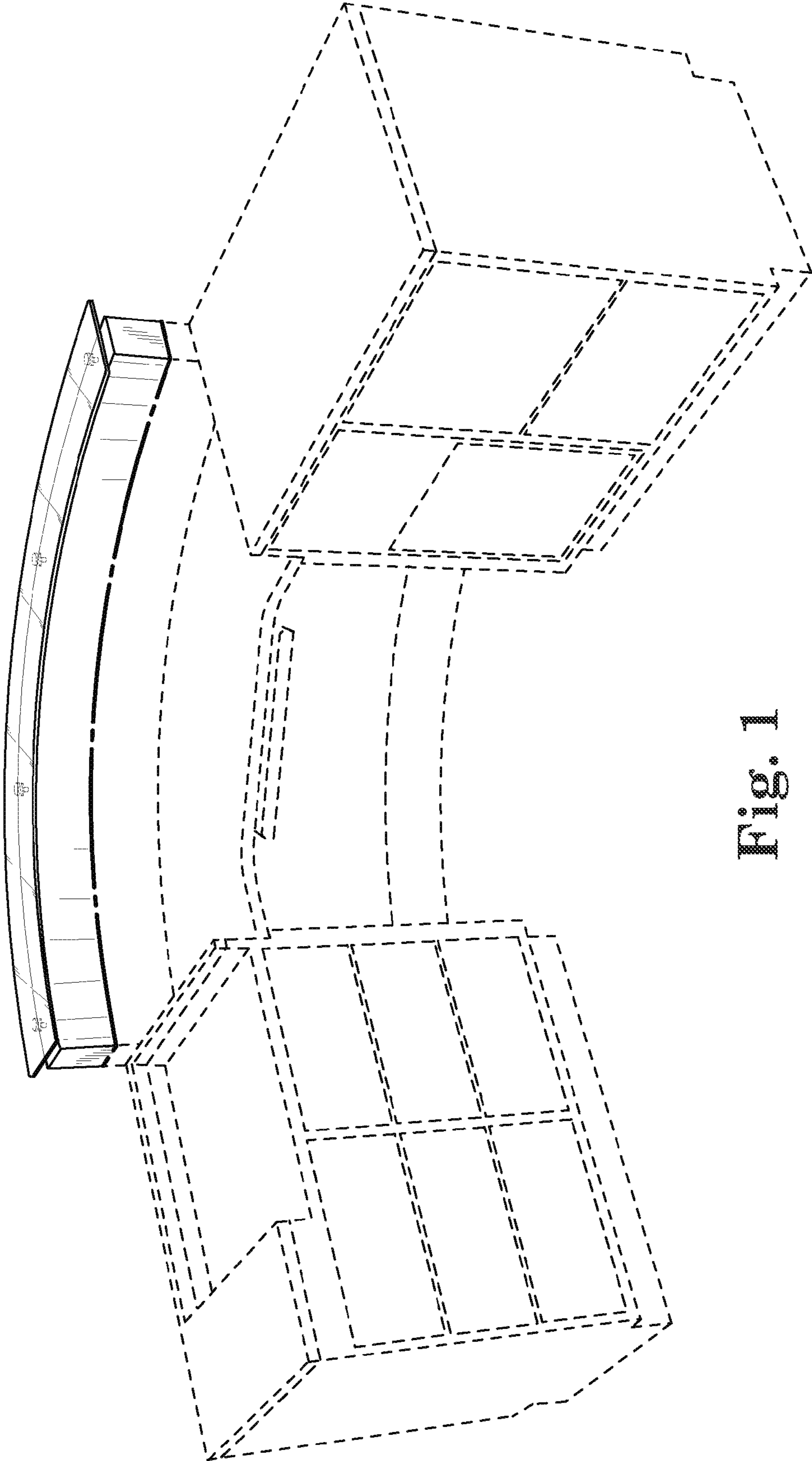


Fig. 1

Fig. 2

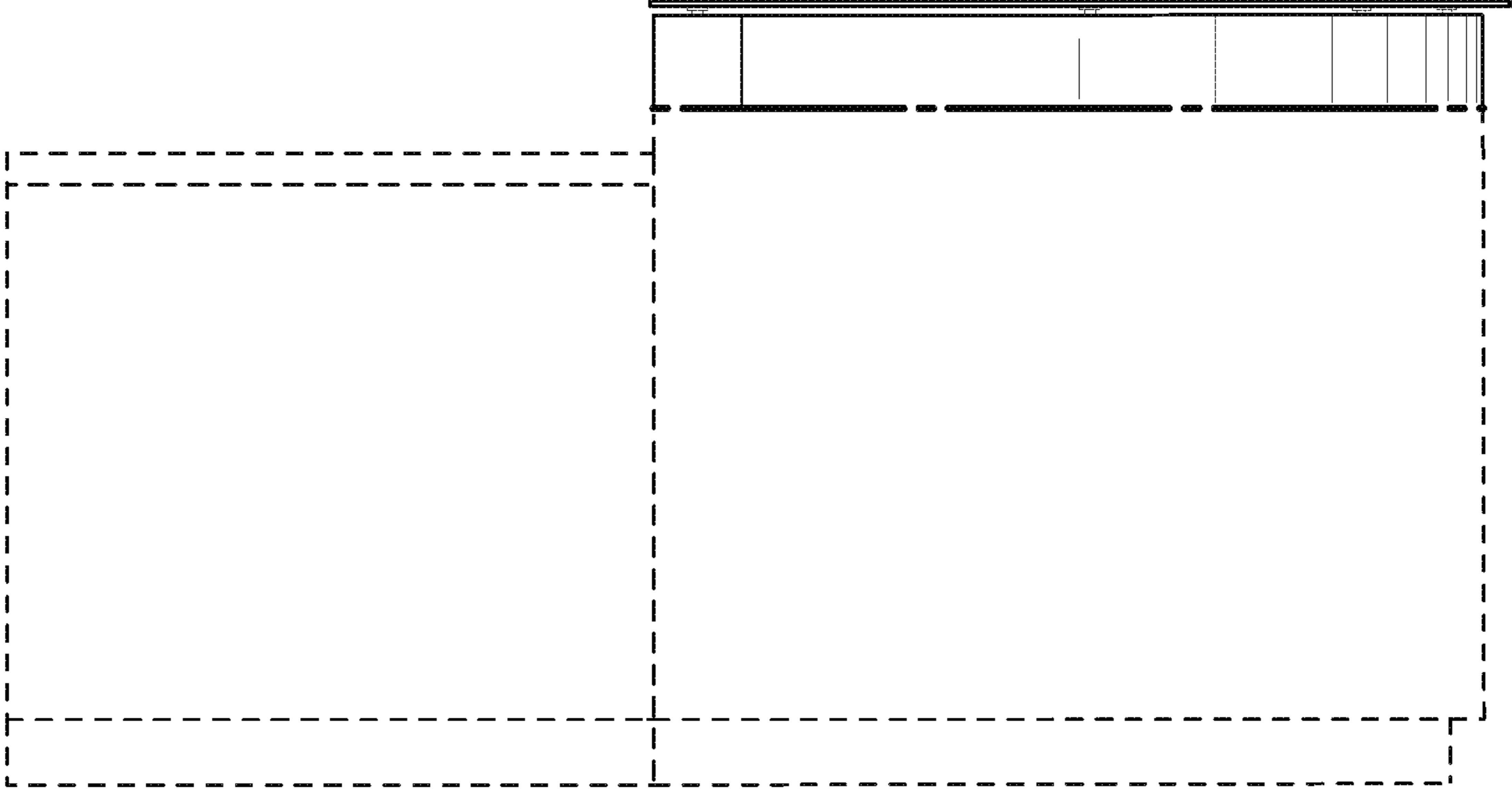


Fig. 3

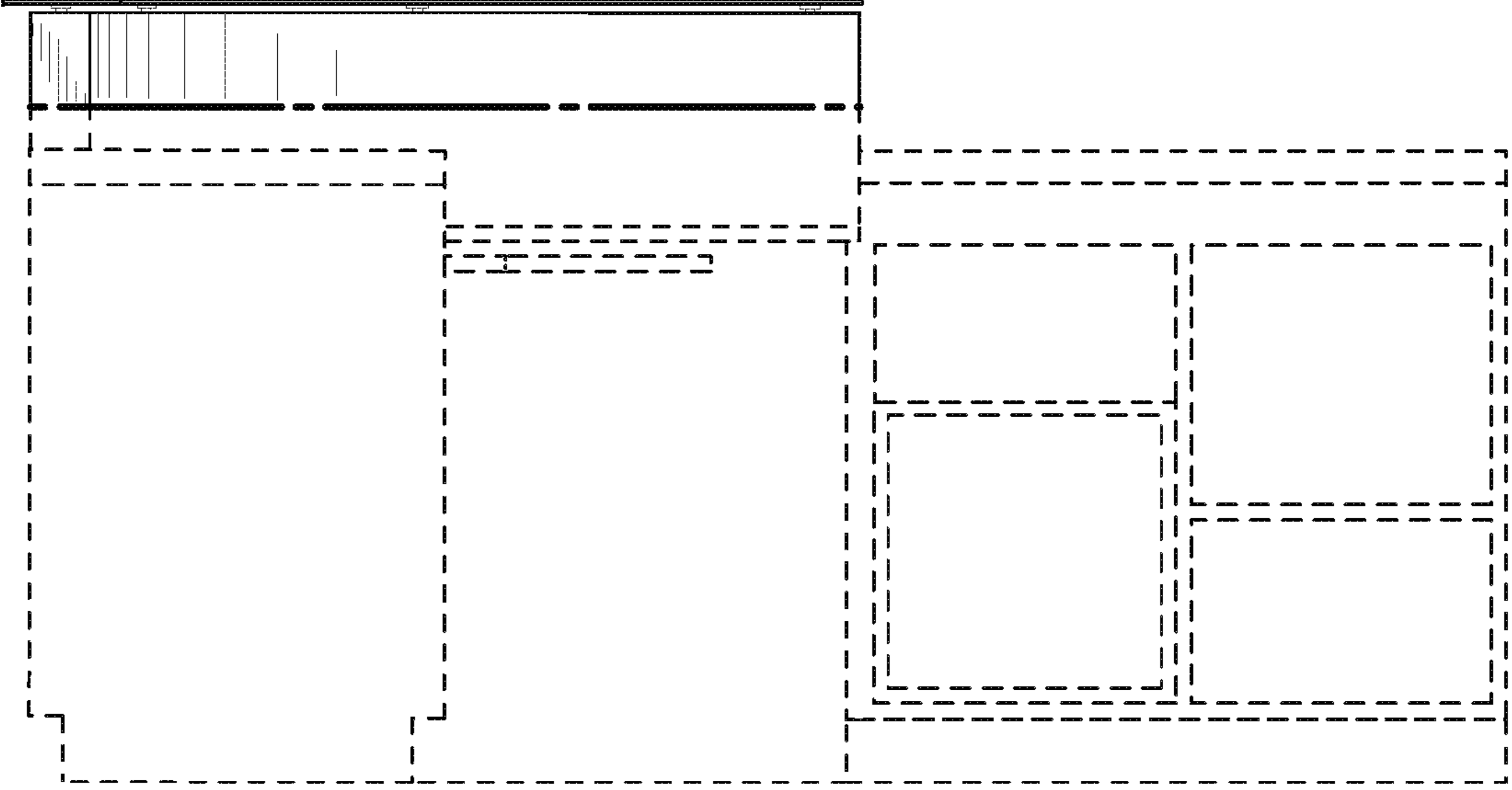


Fig. 4

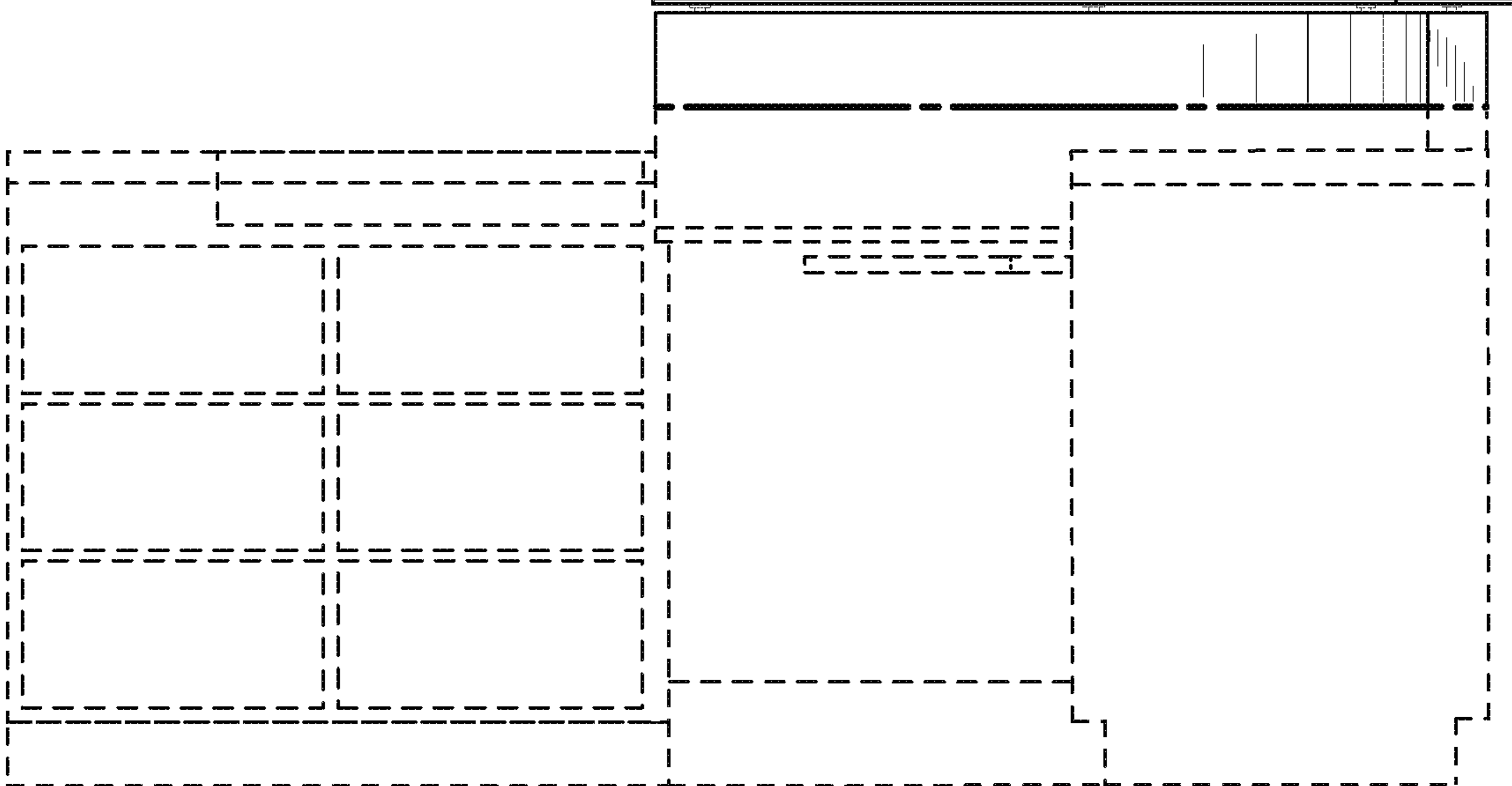


Fig. 5

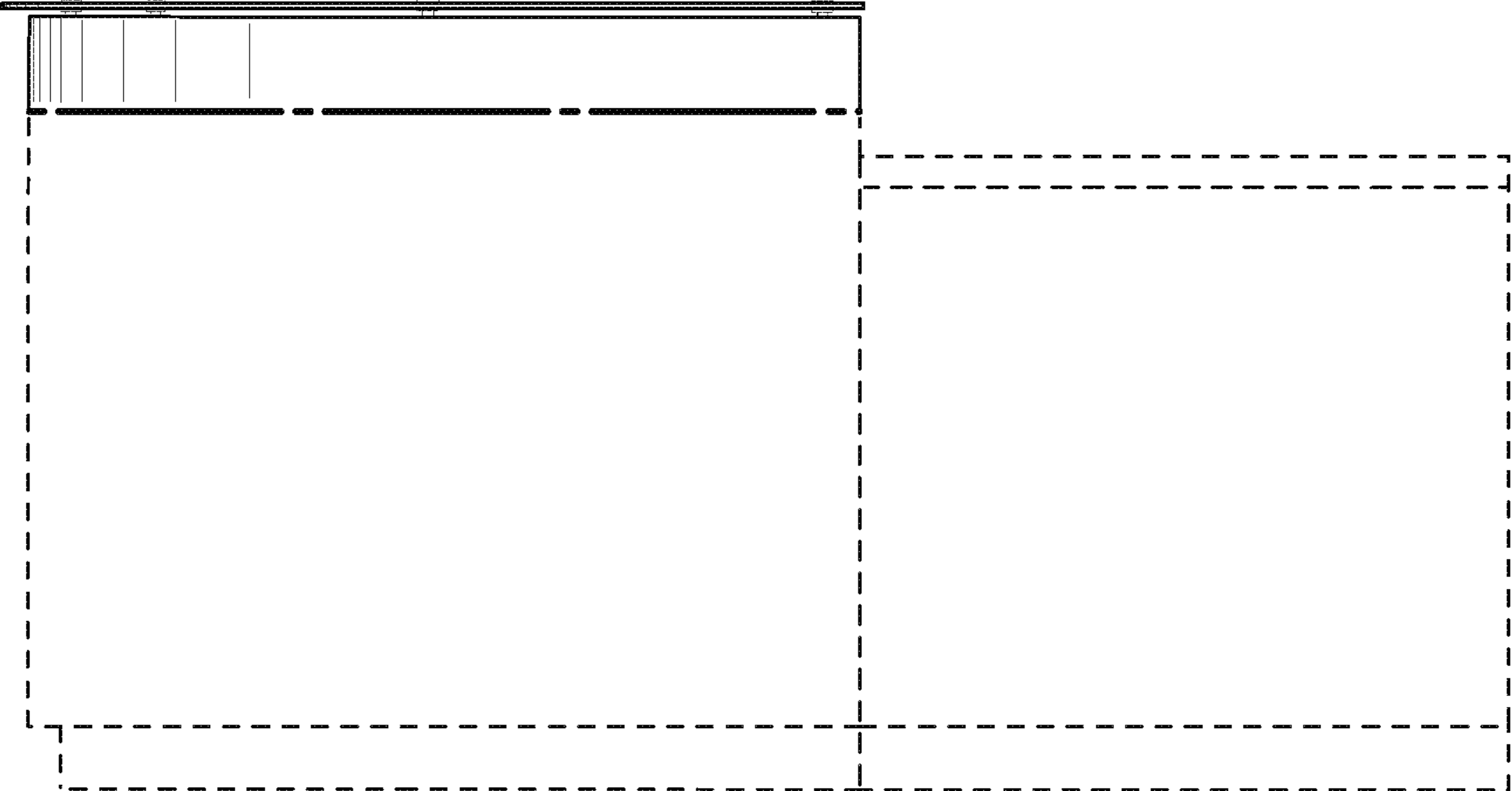


Fig. 6

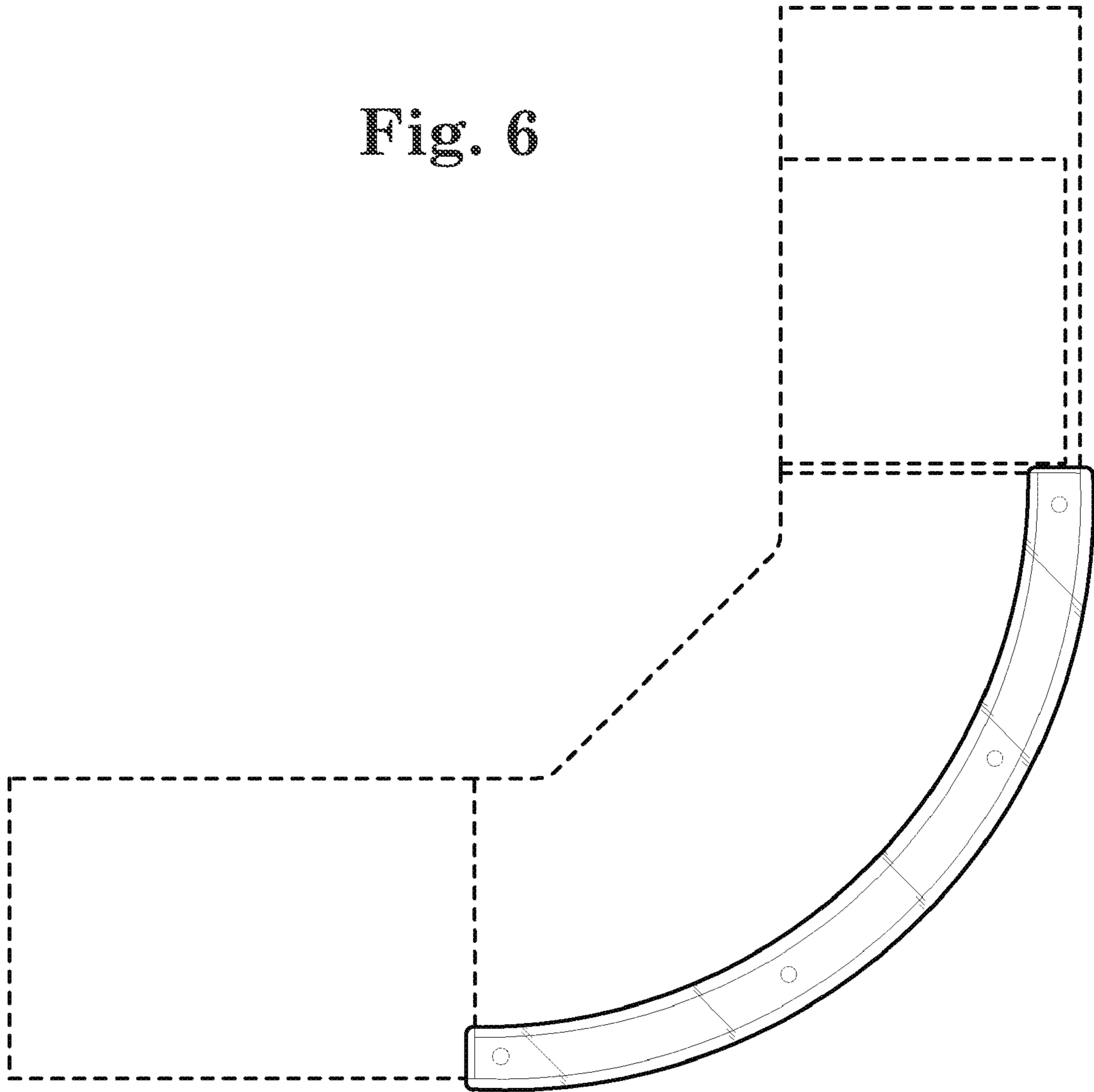


Fig. 7

