



US00D579695S

(12) **United States Design Patent**  
**Wu**

(10) **Patent No.:** **US D579,695 S**  
(45) **Date of Patent:** **\*\* Nov. 4, 2008**

(54) **CHAIR FRAME**

(76) Inventor: **Yao-Chuan Wu**, No. 1-1, Nei Pu Tsai,  
Ta Chi Tsun, Minhsiung Hsiang, Chiayi  
Hsien, 621 (TW)

(\*\*) Term: **14 Years**

(21) Appl. No.: **29/305,243**

(22) Filed: **Mar. 17, 2008**

(51) **LOC (8) Cl.** ..... **06-01**

(52) **U.S. Cl.** ..... **D6/500; D6/366**

(58) **Field of Classification Search** ..... D6/334-336,  
D6/364, 365, 366, 367, 369, 379, 380, 500-502;  
297/284.4, 300.2, 411.27, 411.36, 452.13,  
297/452.21, 452.29, 452.3, 452.46, 452.56,  
297/452.64

See application file for complete search history.

(56) **References Cited**

**U.S. PATENT DOCUMENTS**

D445,580 S *	7/2001	Pennington et al.	.....	D6/366
D486,656 S *	2/2004	Su	.....	D6/366
D505,798 S *	6/2005	Seiler	.....	D6/366
D507,124 S *	7/2005	Yang	.....	D6/366
D514,831 S *	2/2006	Tsai	.....	D6/366
D514,832 S *	2/2006	Tsai	.....	D6/366
D534,384 S *	1/2007	Su	.....	D6/502
D540,580 S *	4/2007	Su	.....	D6/502

D541,062 S *	4/2007	Su	.....	D6/366
D545,076 S *	6/2007	Dallmann et al.	.....	D6/366
D548,992 S *	8/2007	Koepke et al.	.....	D6/366
D549,976 S *	9/2007	Lin	.....	D6/366
D549,977 S *	9/2007	Koepke et al.	.....	D6/366
D550,467 S *	9/2007	Koepke et al.	.....	D6/366
D558,994 S *	1/2008	Machael et al.	.....	D6/366
D568,624 S *	5/2008	Wen	.....	D6/366

\* cited by examiner

*Primary Examiner*—Mimosa De

(74) *Attorney, Agent, or Firm*—Alan Kamrath; Kamrath & Associates PA

(57) **CLAIM**

The ornamental design for a chair frame, as shown and described.

**DESCRIPTION**

FIG. 1 is a perspective view of a chair frame showing my design;

FIG. 2 is a front elevational view thereof;

FIG. 3 is a rear elevational view thereof;

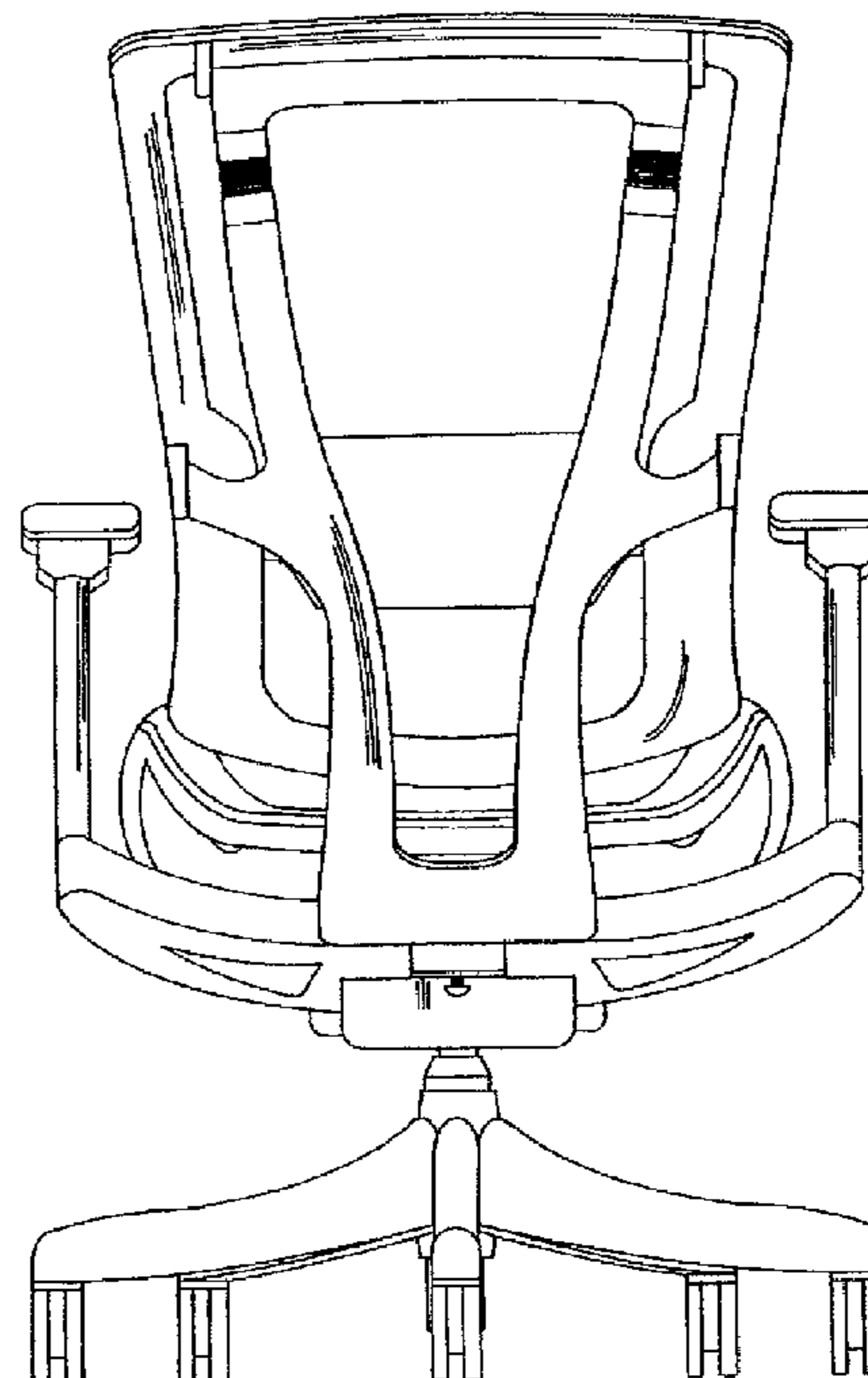
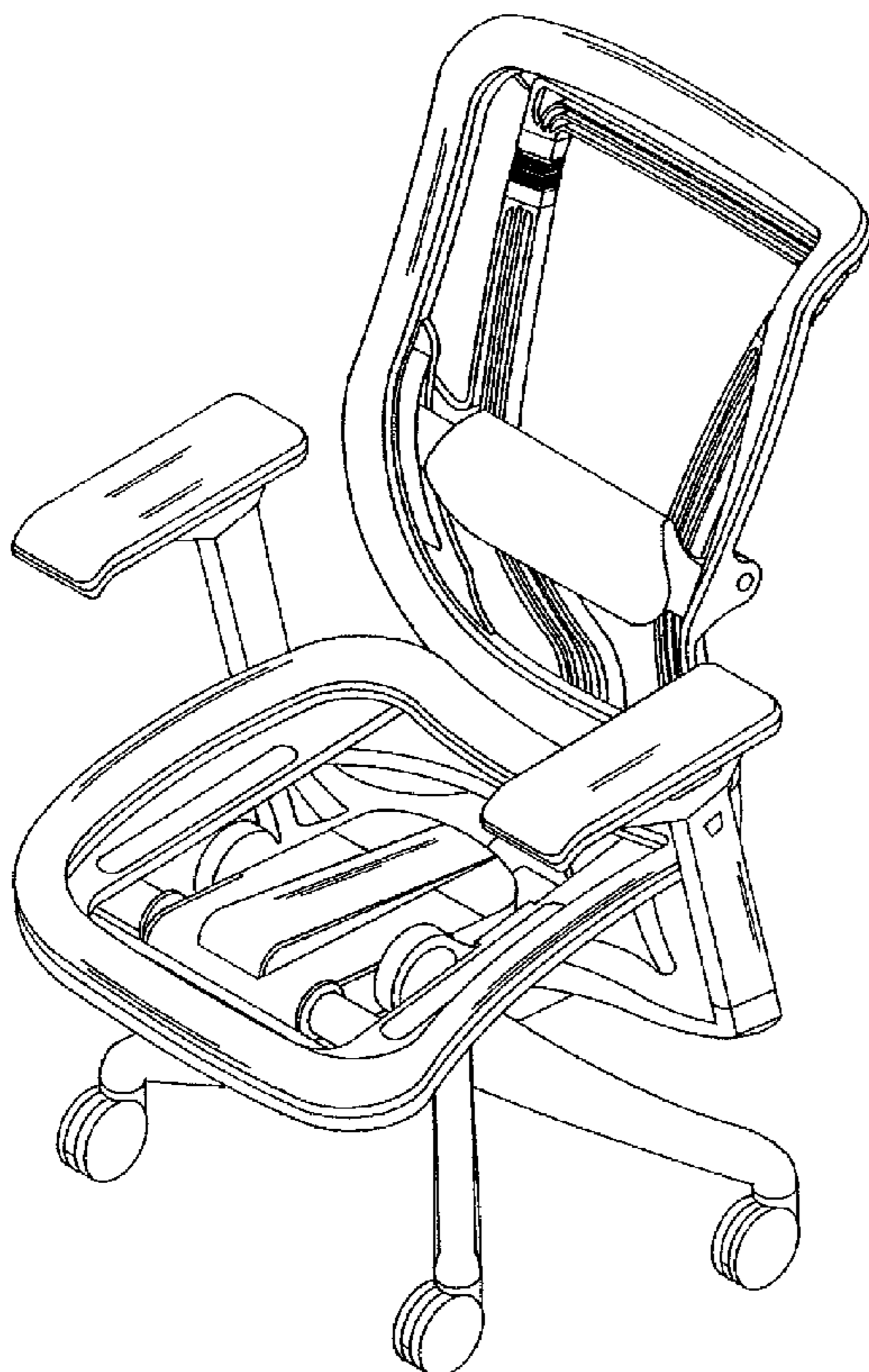
FIG. 4 is a left side elevational view thereof;

FIG. 5 is a right side elevational view thereof;

FIG. 6 is a top plan view thereof; and,

FIG. 7 is a bottom plan view thereof.

**1 Claim, 7 Drawing Sheets**



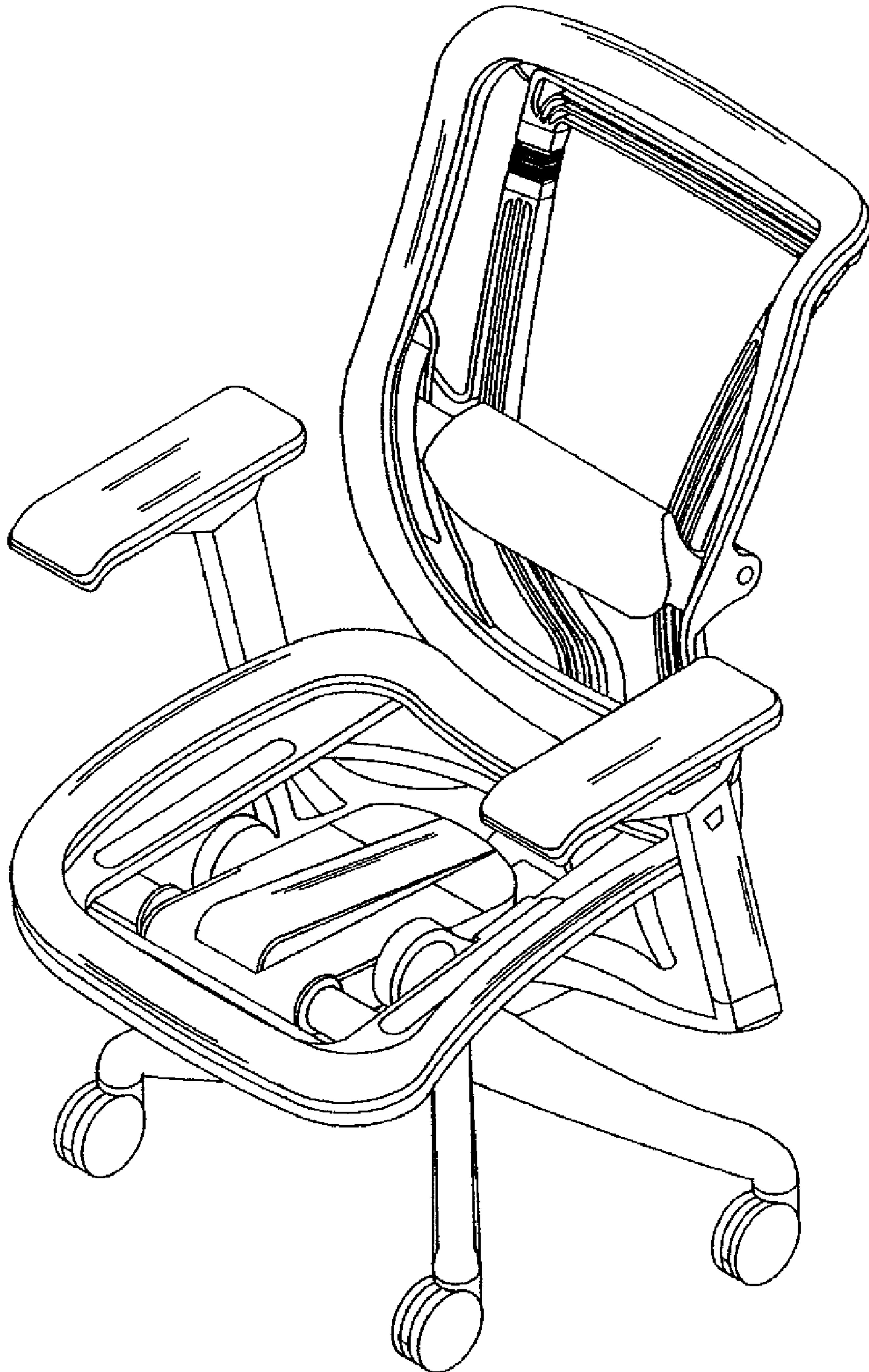


FIG. 1

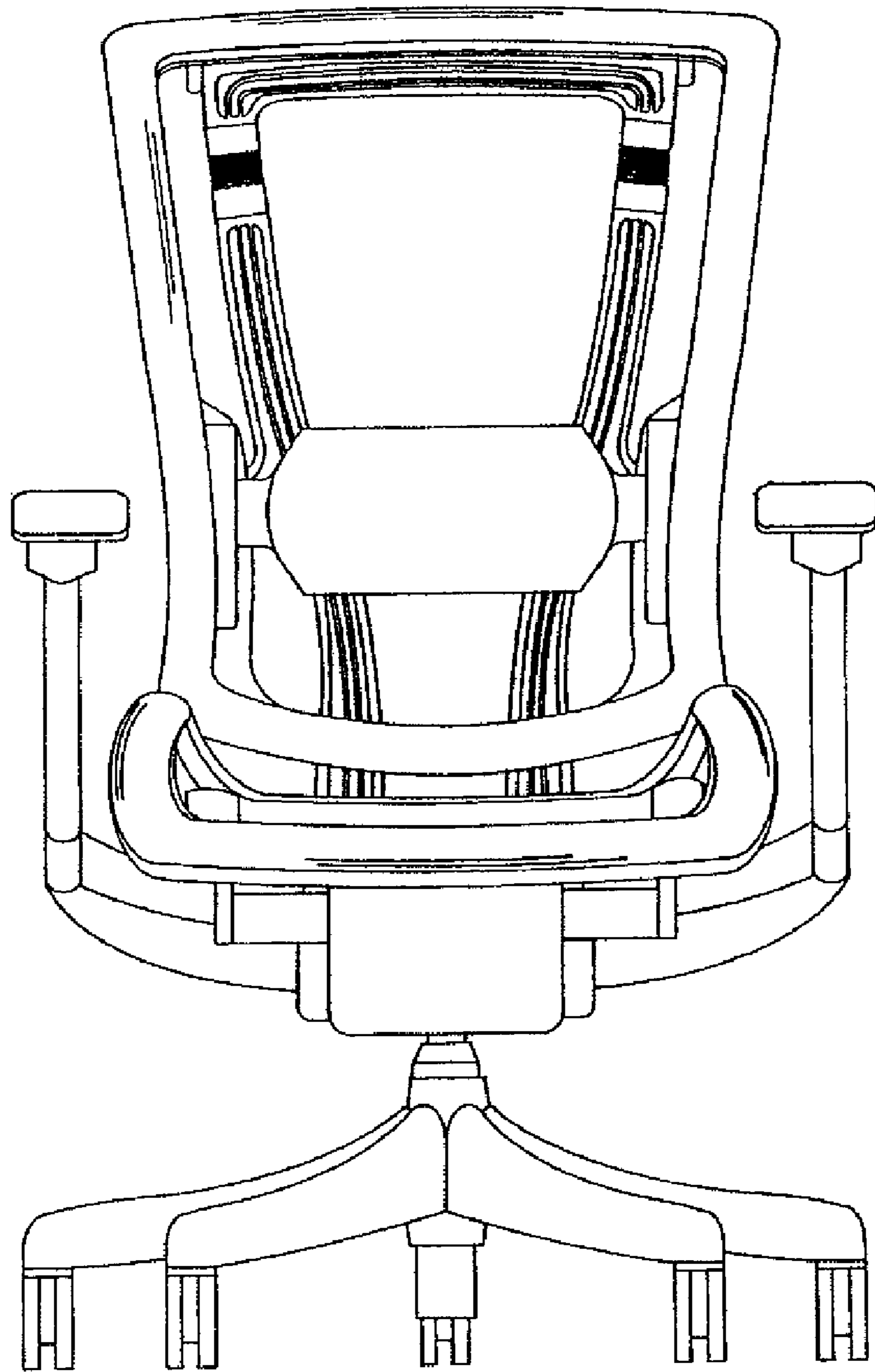


FIG.2

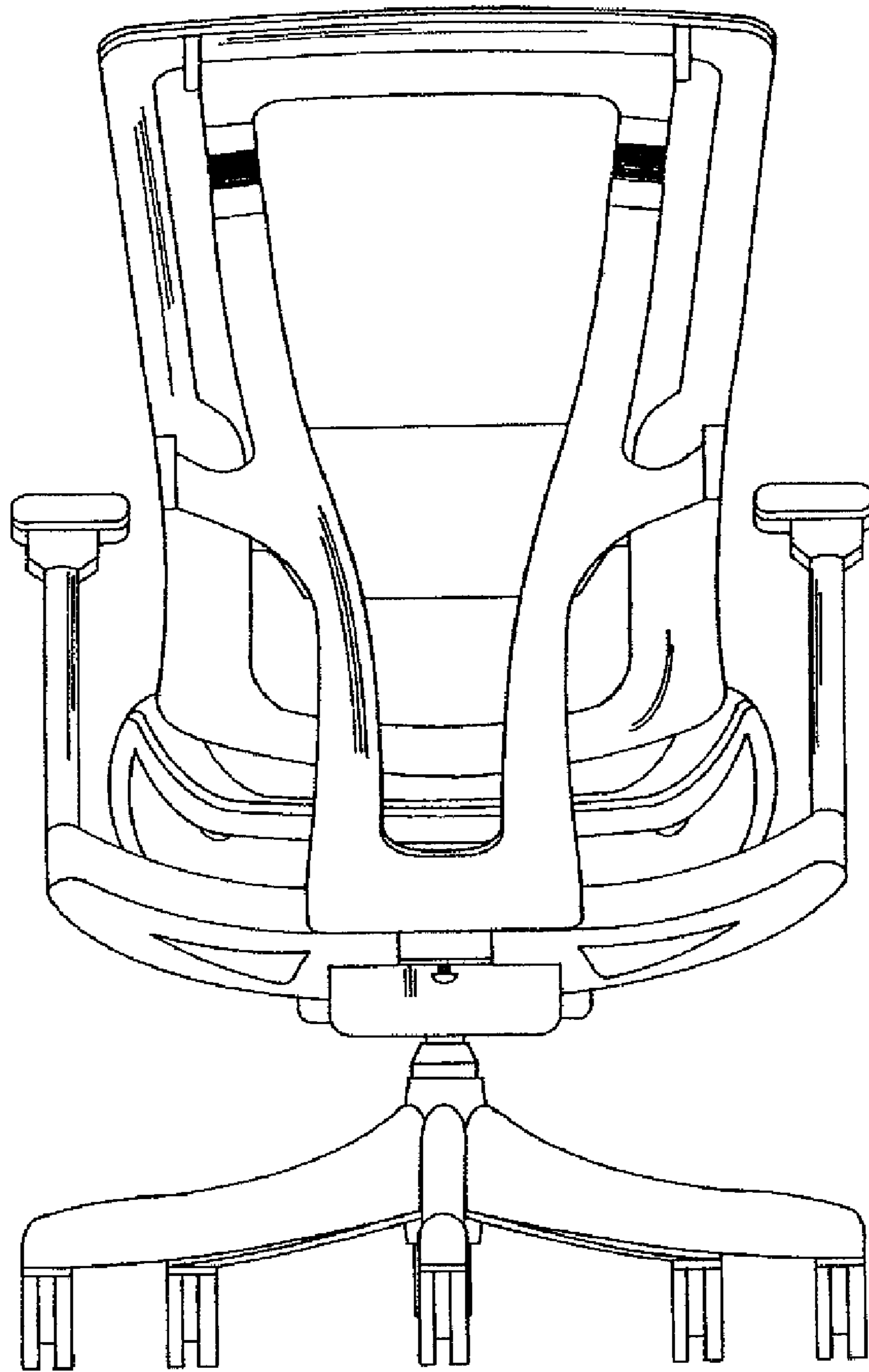


FIG.3

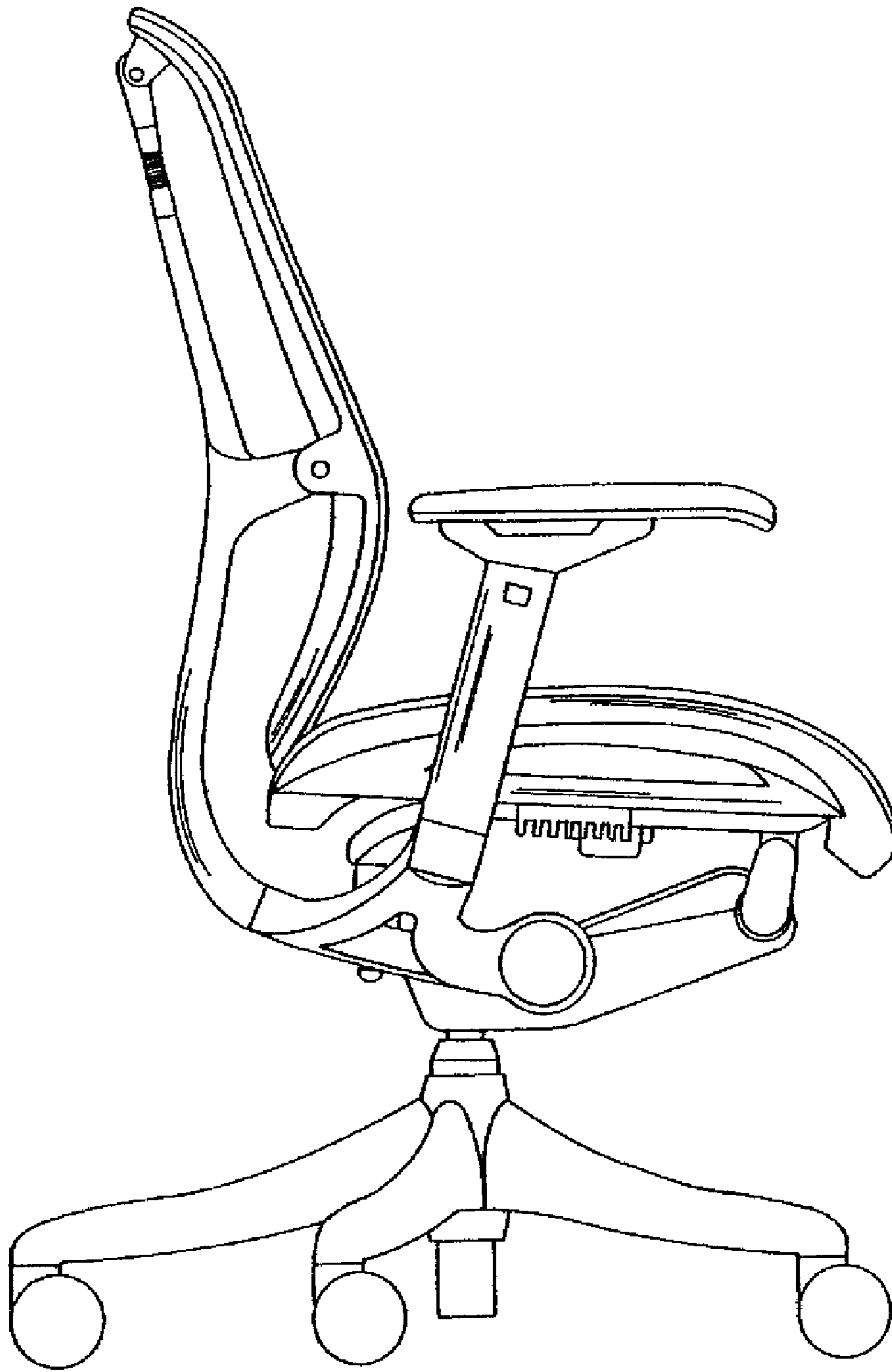


FIG. 4

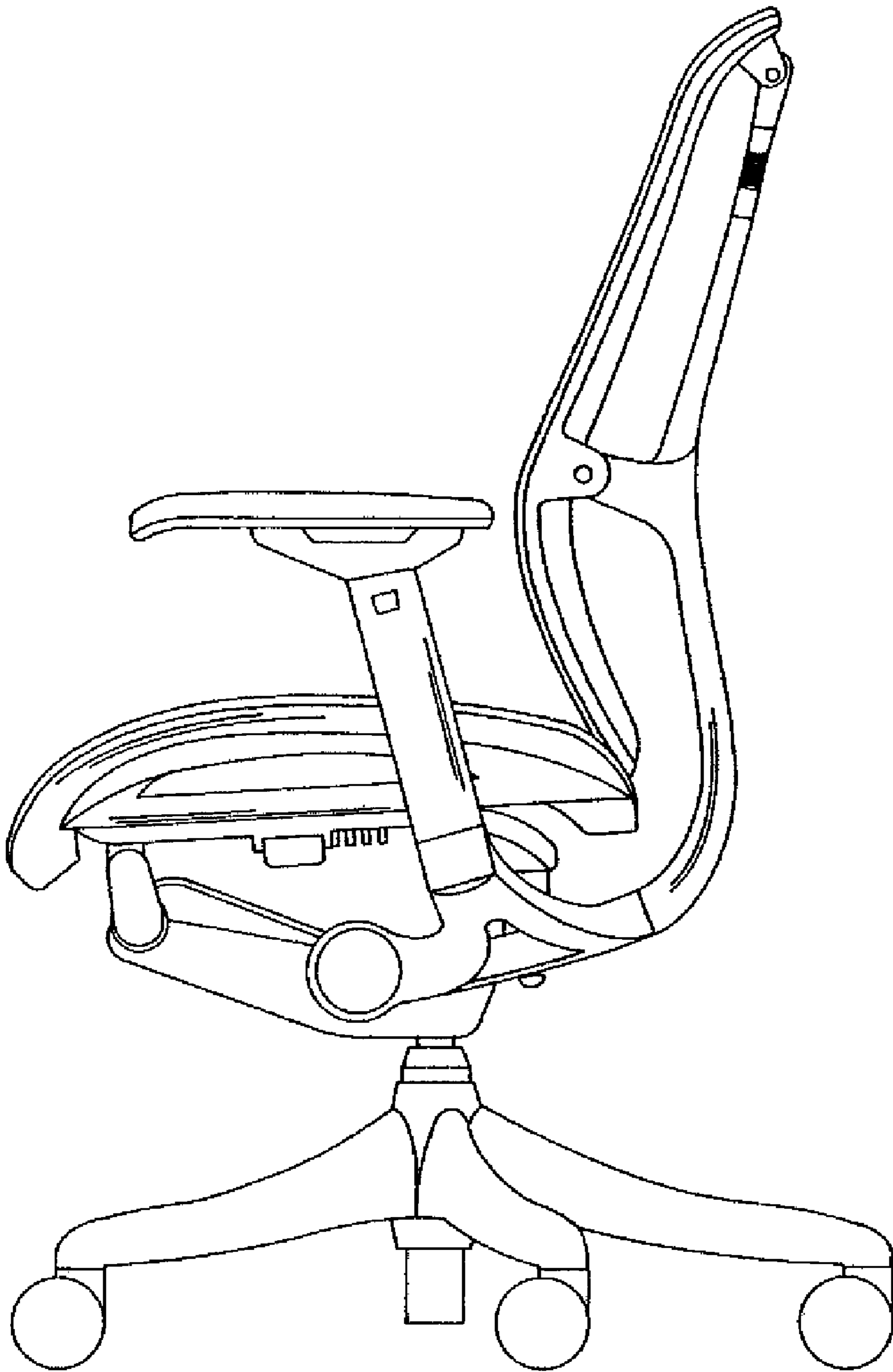


FIG.5

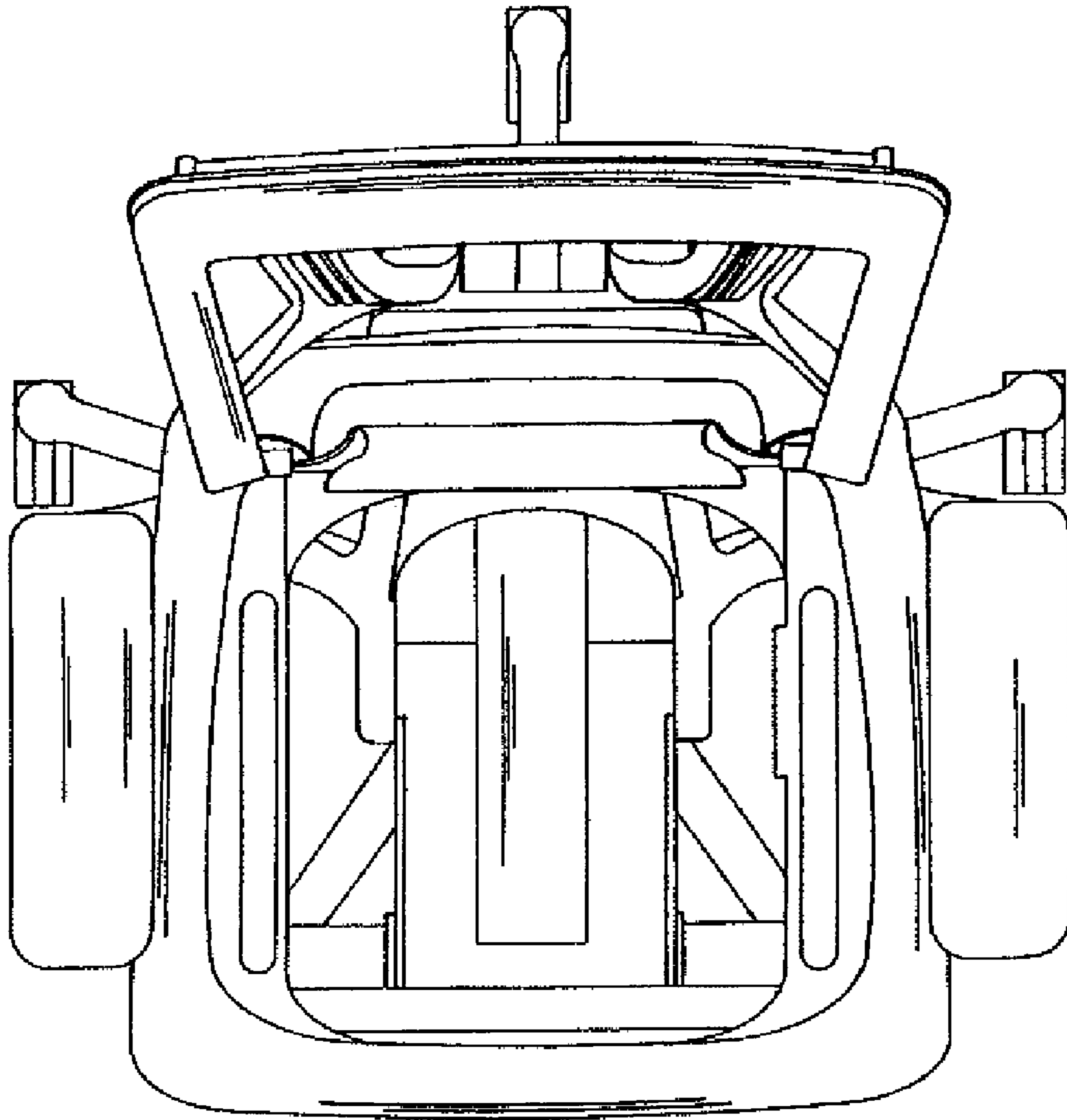


FIG.6

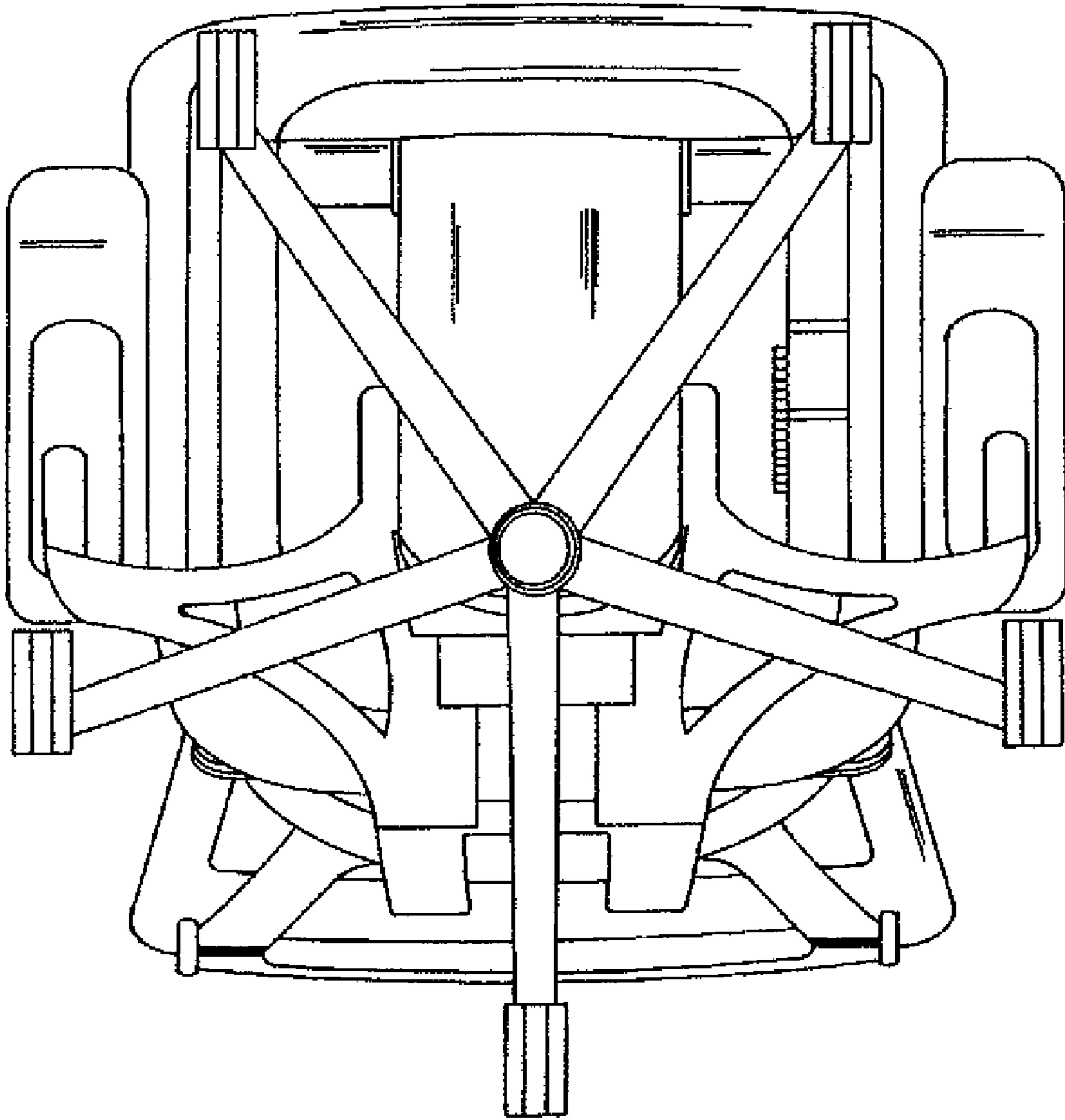


FIG. 7