



US00D579691S

(12) **United States Design Patent**
Snider

(10) **Patent No.:** **US D579,691 S**

(45) **Date of Patent:** **** Nov. 4, 2008**

(54) **CAN RACK WITH MESH WALLS**

(75) Inventor: **Martin Snider**, New City, NY (US)

(73) Assignee: **MSA Products, Inc.**, Nyack, NY (US)

(**) Term: **14 Years**

(21) Appl. No.: **29/291,084**

(22) Filed: **Aug. 13, 2007**

(51) **LOC (8) Cl.** **06-04**

(52) **U.S. Cl.** **D6/463**

(58) **Field of Classification Search** D6/449,
D6/397, 463, 467, 408, 407, 462-465, 515,
D6/512, 552, 458-460, 511; 211/90.03,
211/112, 90.04, 113, 181.1, 189, 198, 55,
211/50, 59.1, 106, 184, 59.2, 134

See application file for complete search history.

(56) **References Cited**

U.S. PATENT DOCUMENTS

D162,397	S *	3/1951	Fink	D6/463
2,793,760	A *	5/1957	Zel et al.	211/55
D181,322	S *	10/1957	Streich	D6/408
D185,660	S *	7/1959	Crookes	D6/408
4,426,008	A *	1/1984	Olson et al.	211/59.2
D317,094	S *	5/1991	Weinberg et al.	D6/463
D321,609	S *	11/1991	Dardashti	D6/408
D382,133	S *	8/1997	Messina et al.	D6/409

D446,968	S *	8/2001	Spencer	D6/462
6,431,375	B2 *	8/2002	Spencer	211/106
D524,573	S *	7/2006	Robinson et al.	D6/463
D544,250	S *	6/2007	Daugherty et al.	D6/463
D544,251	S *	6/2007	Daugherty et al.	D6/463
2002/0008074	A1 *	1/2002	Spencer	211/49.1

* cited by examiner

Primary Examiner—Caron D. Veynar

Assistant Examiner—Sydney R Buffalow

(74) *Attorney, Agent, or Firm*—Gerald E. Hespos; Anthony J. Casella

(57) **CLAIM**

The ornamental design for a can rack with mesh walls, as shown and described.

DESCRIPTION

FIG. 1 is a perspective view of a can rack with mesh walls in accordance with my design;

FIG. 2 is a top plan view of the can rack with mesh walls;

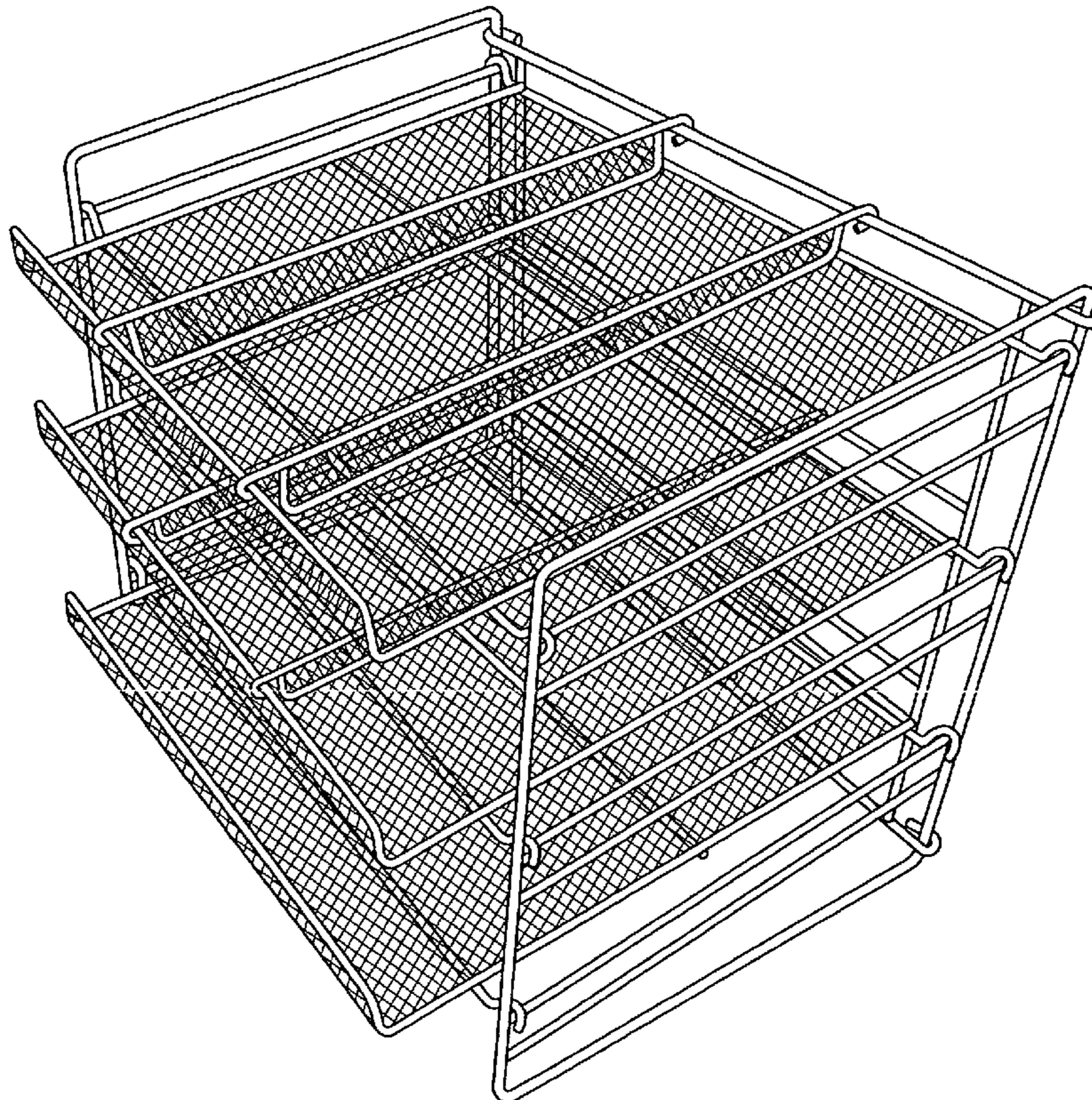
FIG. 3 is a front elevational view thereof;

FIG. 4 is a left side elevational view thereof, with the right side elevational view being a mirror image thereof;

FIG. 5 is a rear elevational thereof; and,

FIG. 6 is a bottom plan view thereof.

1 Claim, 6 Drawing Sheets



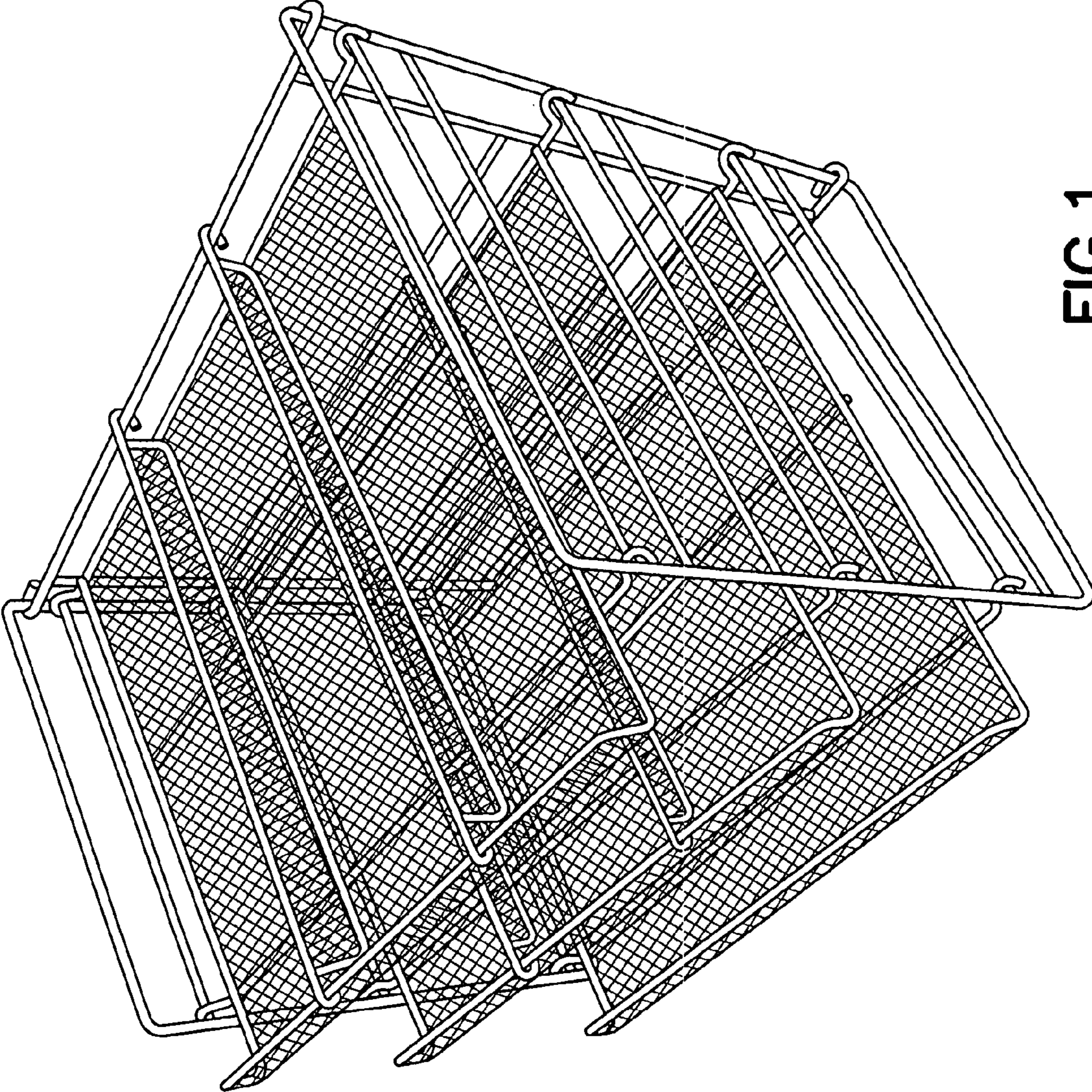


FIG. 1

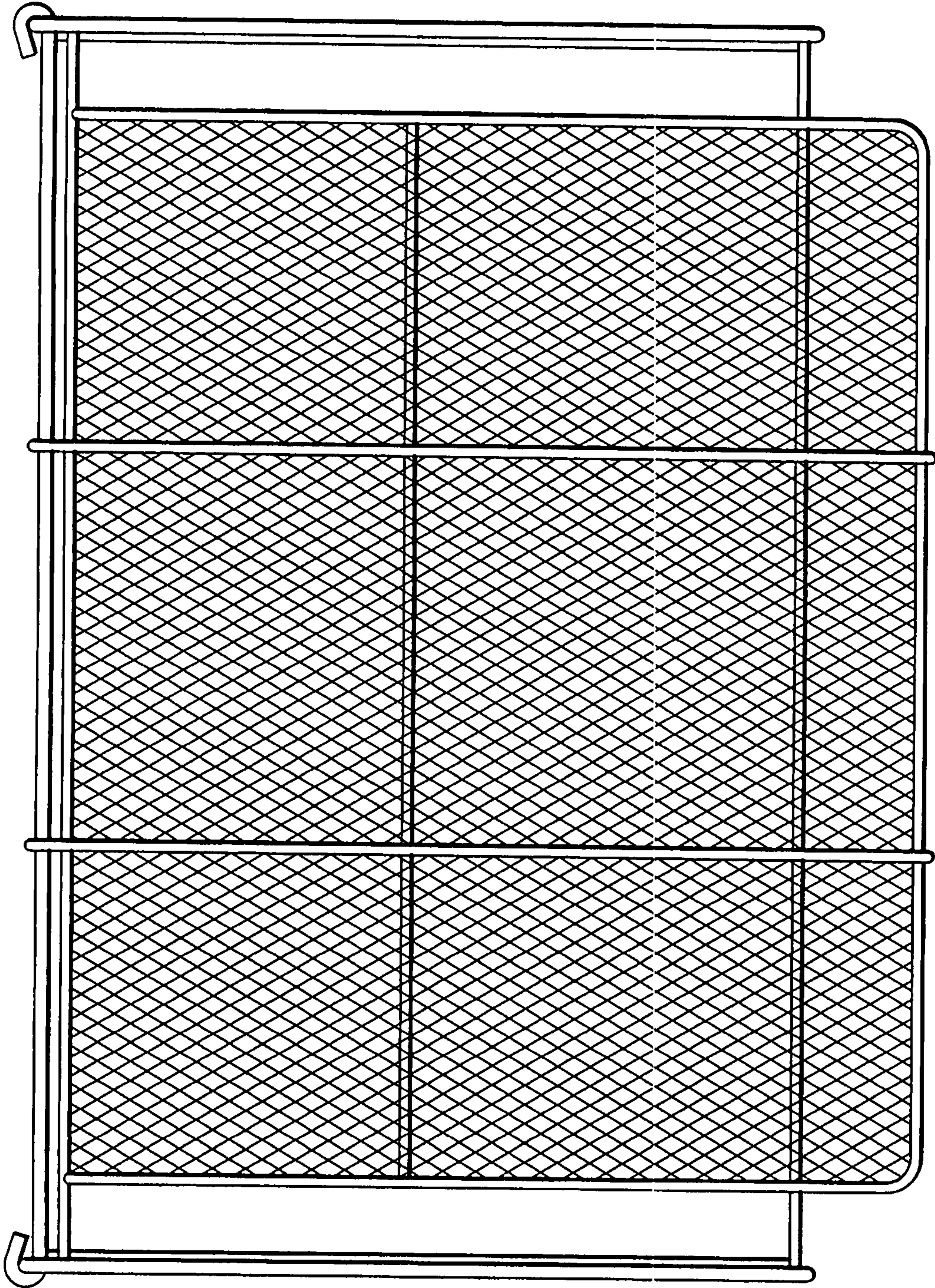


FIG.2

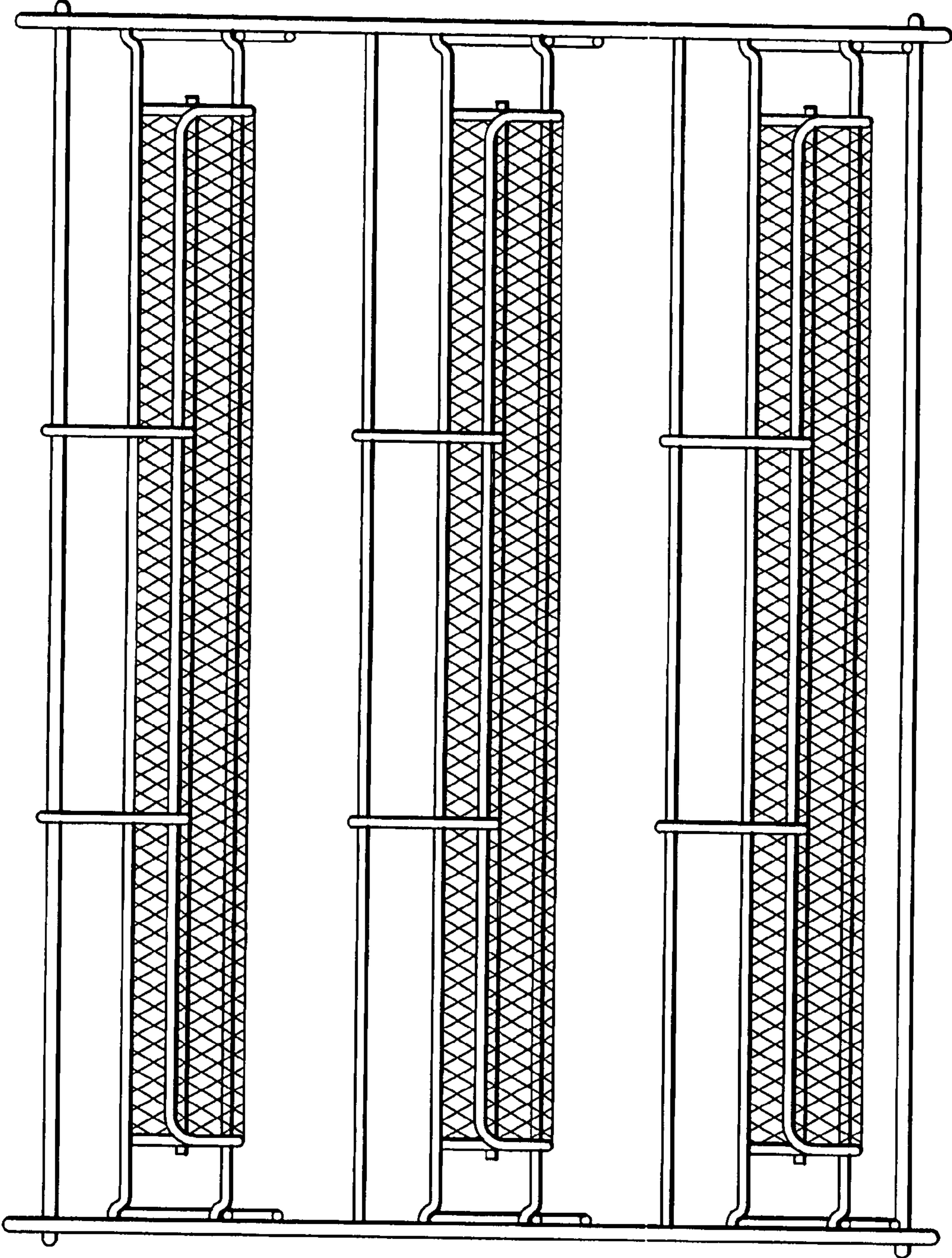


FIG.3

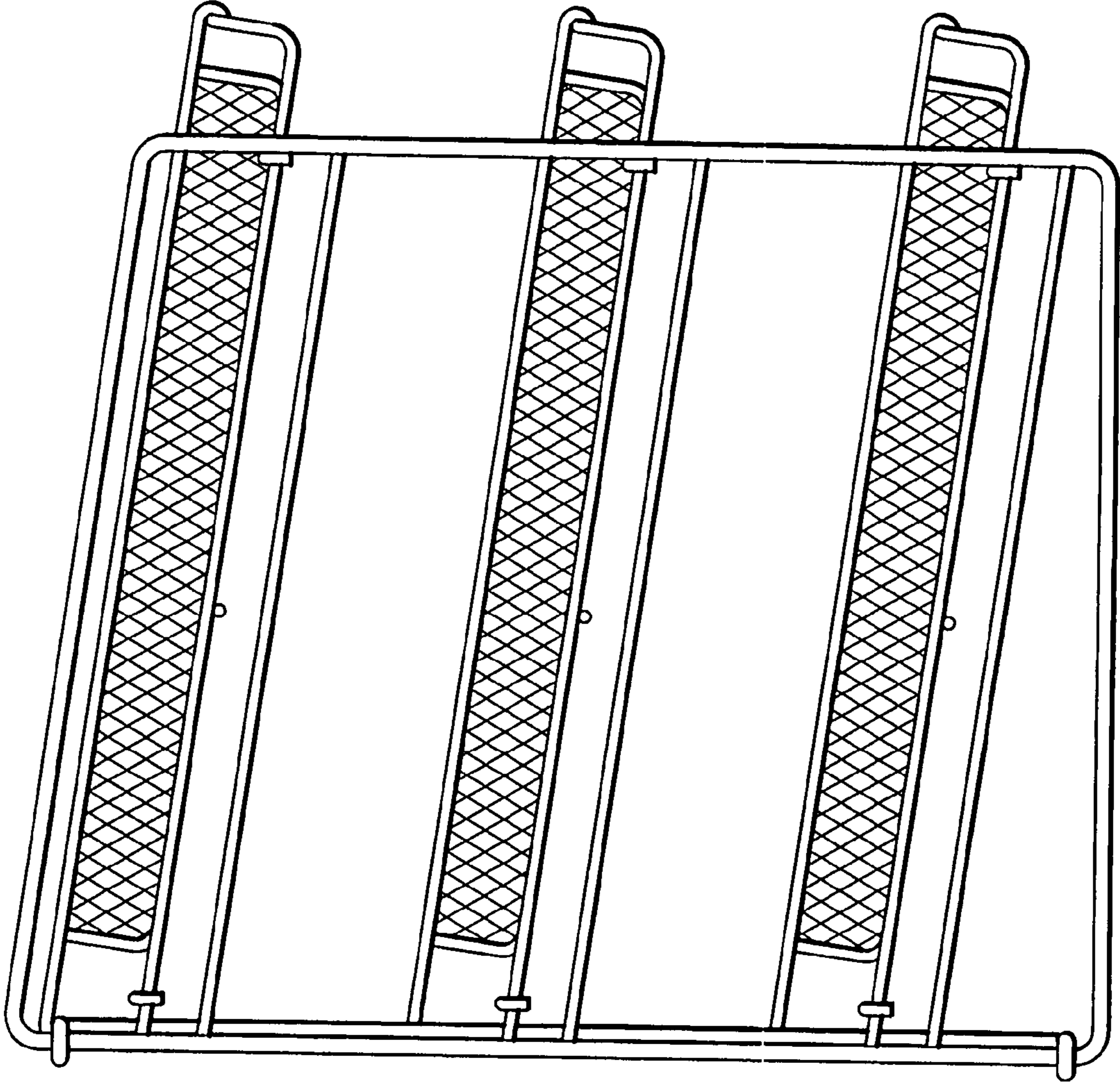


FIG.4

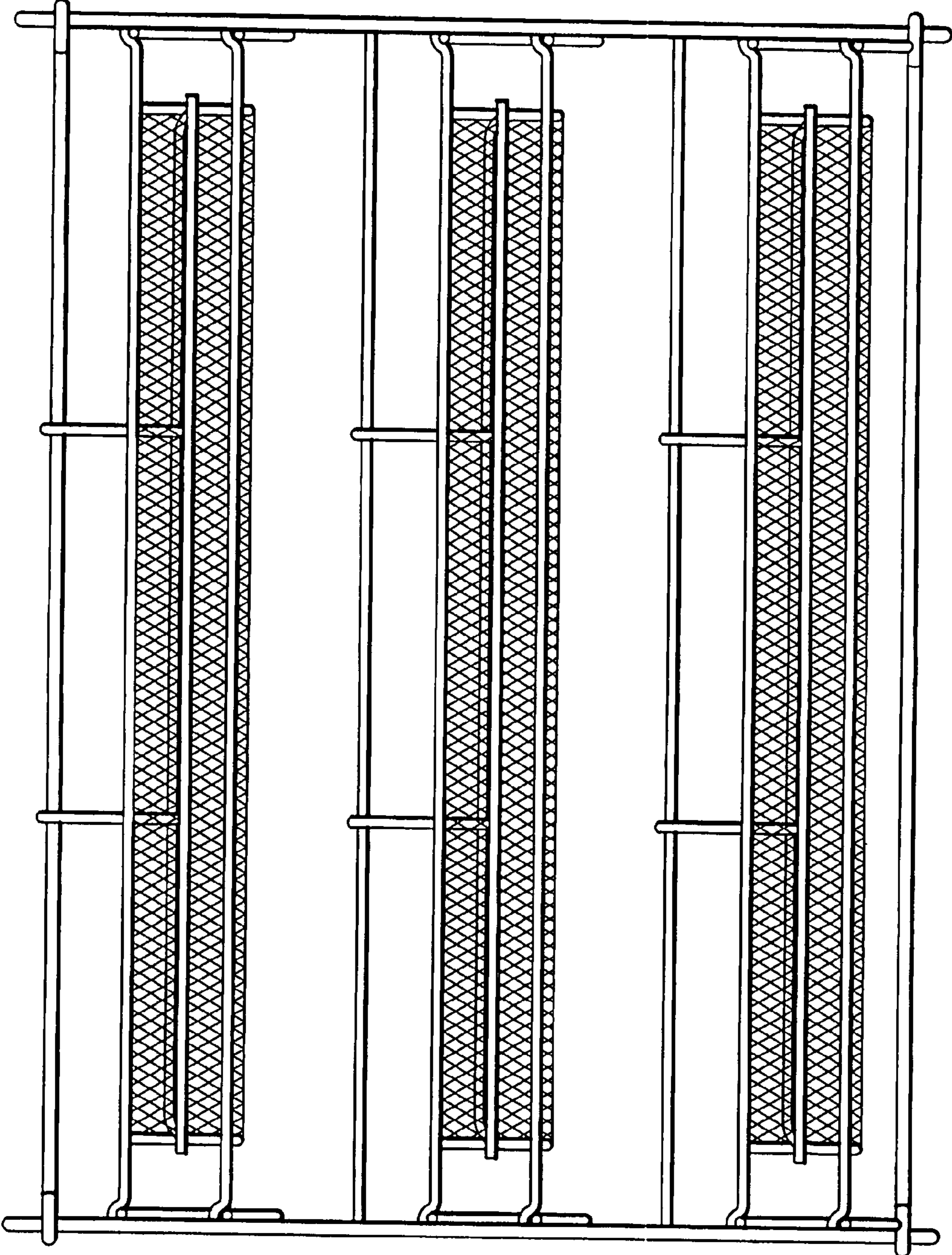


FIG.5

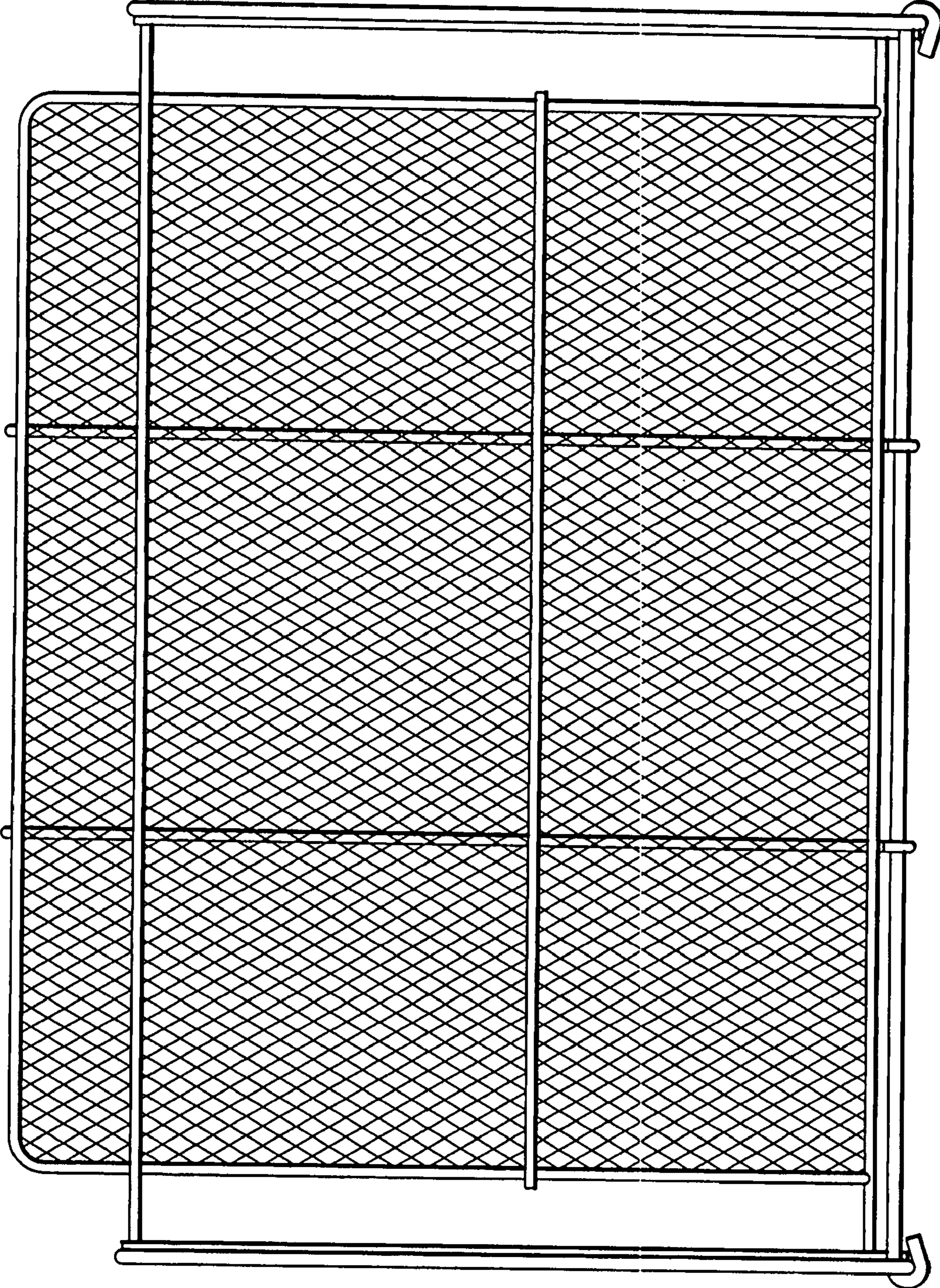


FIG. 6