



US00D579690S

(12) **United States Design Patent**
O'Con

(10) **Patent No.:** **US D579,690 S**

(45) **Date of Patent:** **** Nov. 4, 2008**

(54) **TELEVISION STAND**

(75) Inventor: **Kelly L. O'Con**, 1125 Dolman, St.
Louis, MO (US) 63104

(73) Assignee: **Kelly L. O'Con**, St. Louis, MO (US)

(**) Term: **14 Years**

(21) Appl. No.: **29/297,922**

(22) Filed: **Nov. 21, 2007**

(51) **LOC (8) Cl.** **06-04**

(52) **U.S. Cl.** **D6/457; D6/300; D14/451**

(58) **Field of Classification Search** D6/300-314,
D6/457; 211/186, 181.1, 182, 194, 97; D14/448,
D14/449, 374, 451, 239; 403/374; D8/373
See application file for complete search history.

(56) **References Cited**

U.S. PATENT DOCUMENTS

- 4,778,066 A * 10/1988 Stjernberg 211/186
- 6,527,473 B2 * 3/2003 Chen 403/374.1
- D473,877 S * 4/2003 Korpai D14/448
- D489,072 S * 4/2004 Nishioka et al. D14/448
- D524,061 S * 7/2006 Bruce D6/300
- D539,128 S * 3/2007 Ly Hau et al. D8/373

D552,090 S * 10/2007 Kita D14/239

* cited by examiner

Primary Examiner—Caron Veynar

Assistant Examiner—Sydney R Buffalow

(74) *Attorney, Agent, or Firm*—Harness, Dickey & Pierce,
P.L.C.

(57) **CLAIM**

The ornamental design for a television stand, as shown and described.

DESCRIPTION

FIG. 1 is a perspective view of the television stand, showing my new design;

FIG. 2 is a left side, rear elevation view thereof;

FIG. 3 is a front elevation view thereof;

FIG. 4 is a rear elevation view thereof;

FIG. 5 is a left side elevation view thereof;

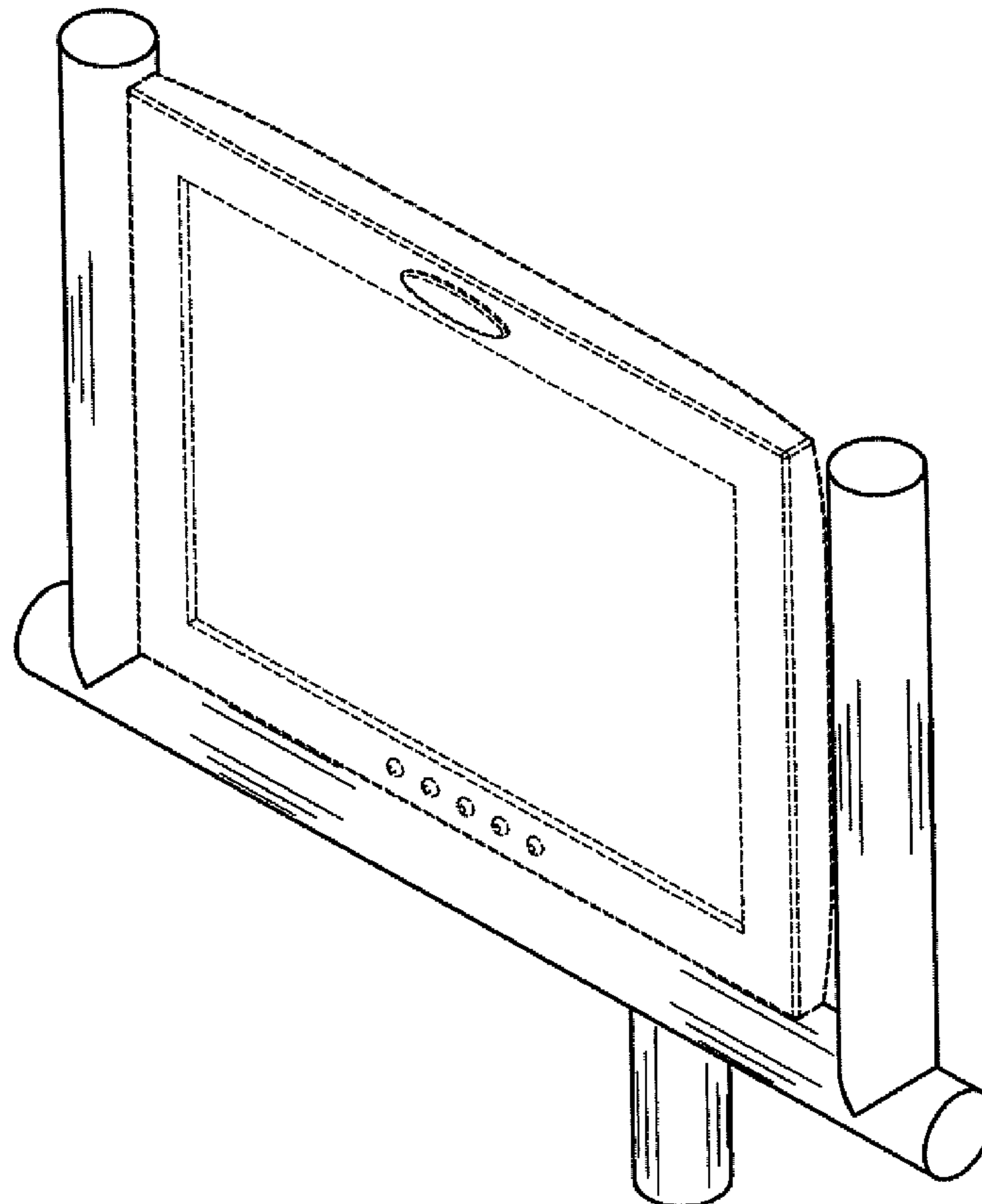
FIG. 6 is a right side elevation view thereof;

FIG. 7 is a top plan view thereof; and,

FIG. 8 is a bottom plan view thereof.

The details shown in broken lines are for illustrative purposes only and form no part of the claimed design.

1 Claim, 6 Drawing Sheets



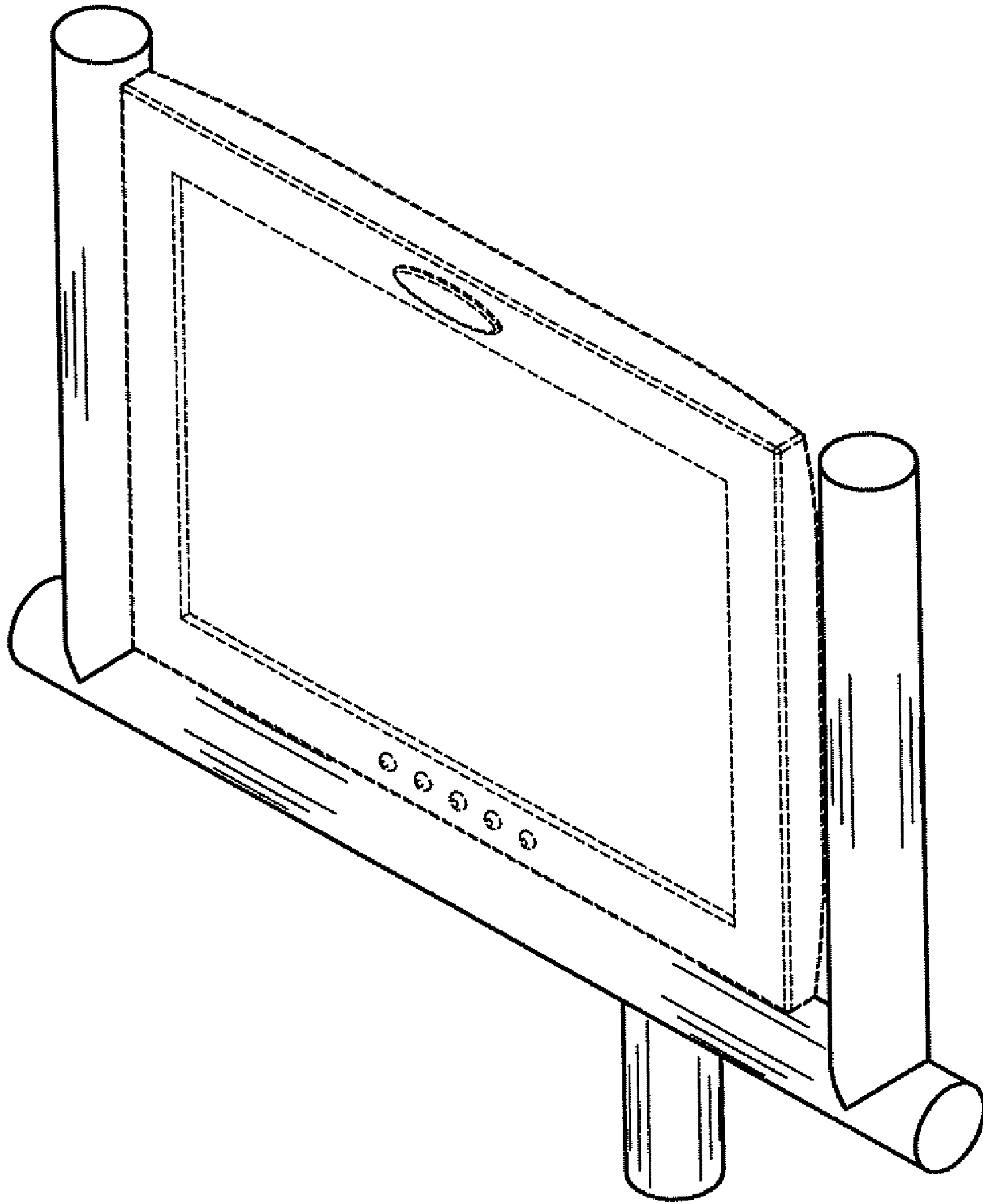


Fig. 1

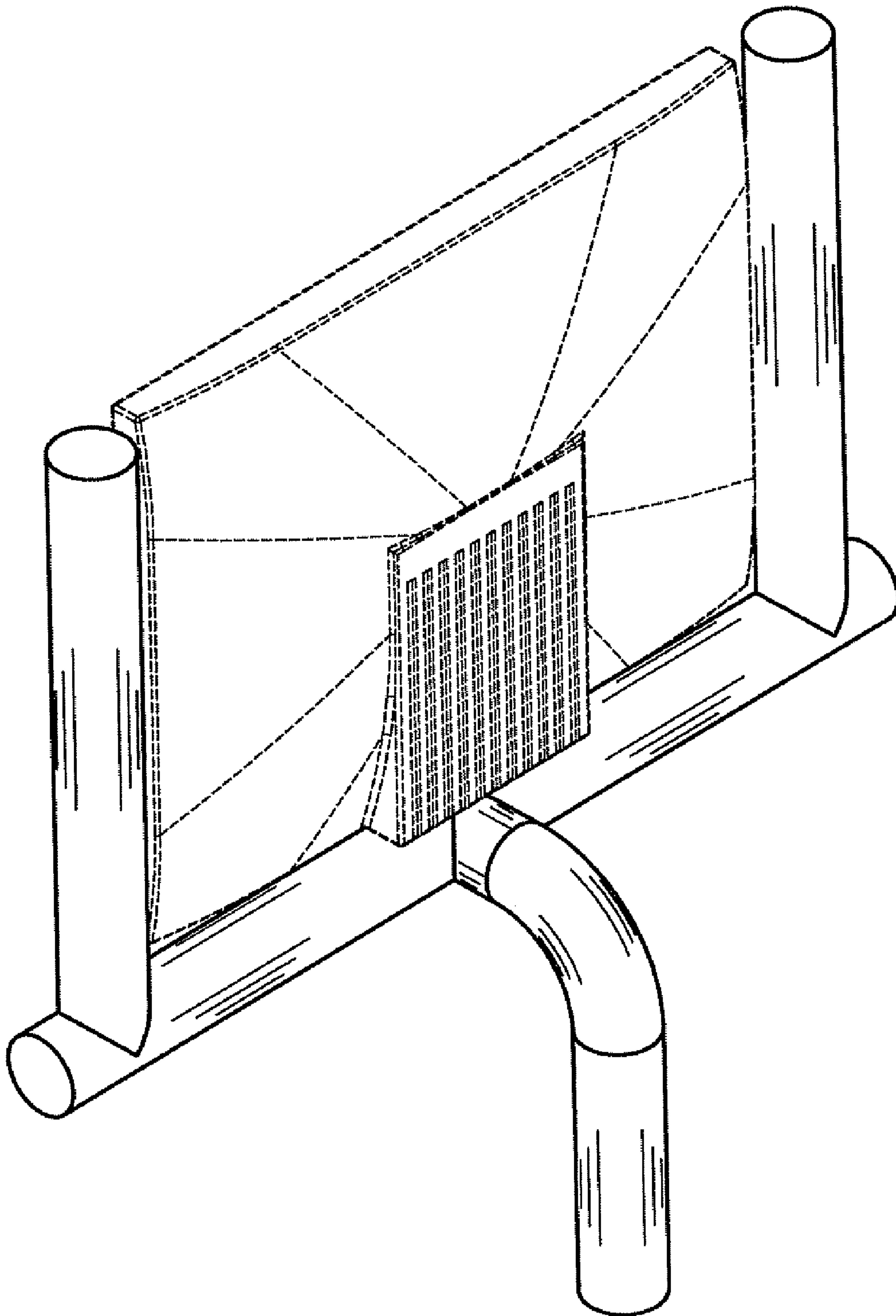


Fig. 2

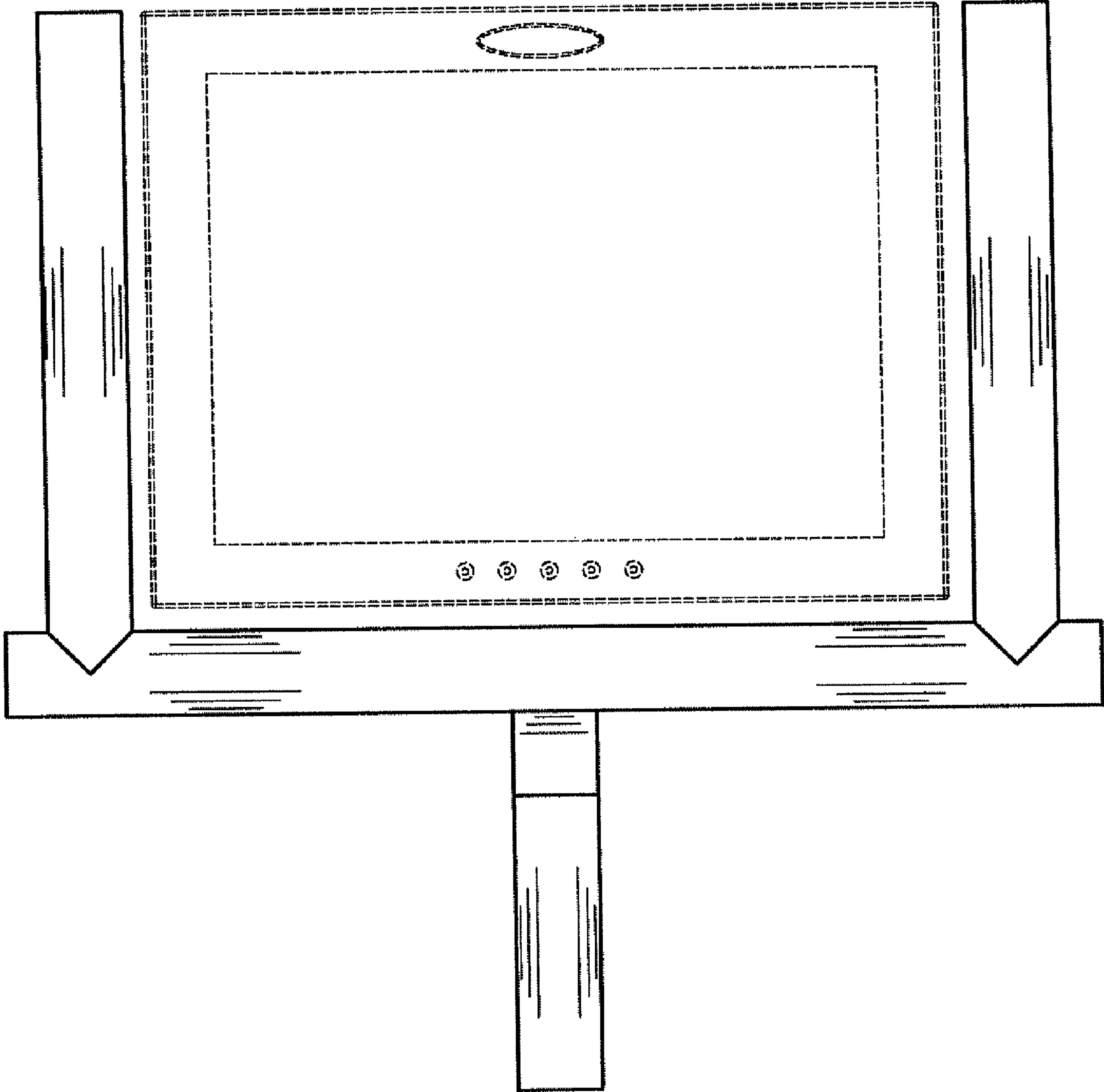


Fig. 3

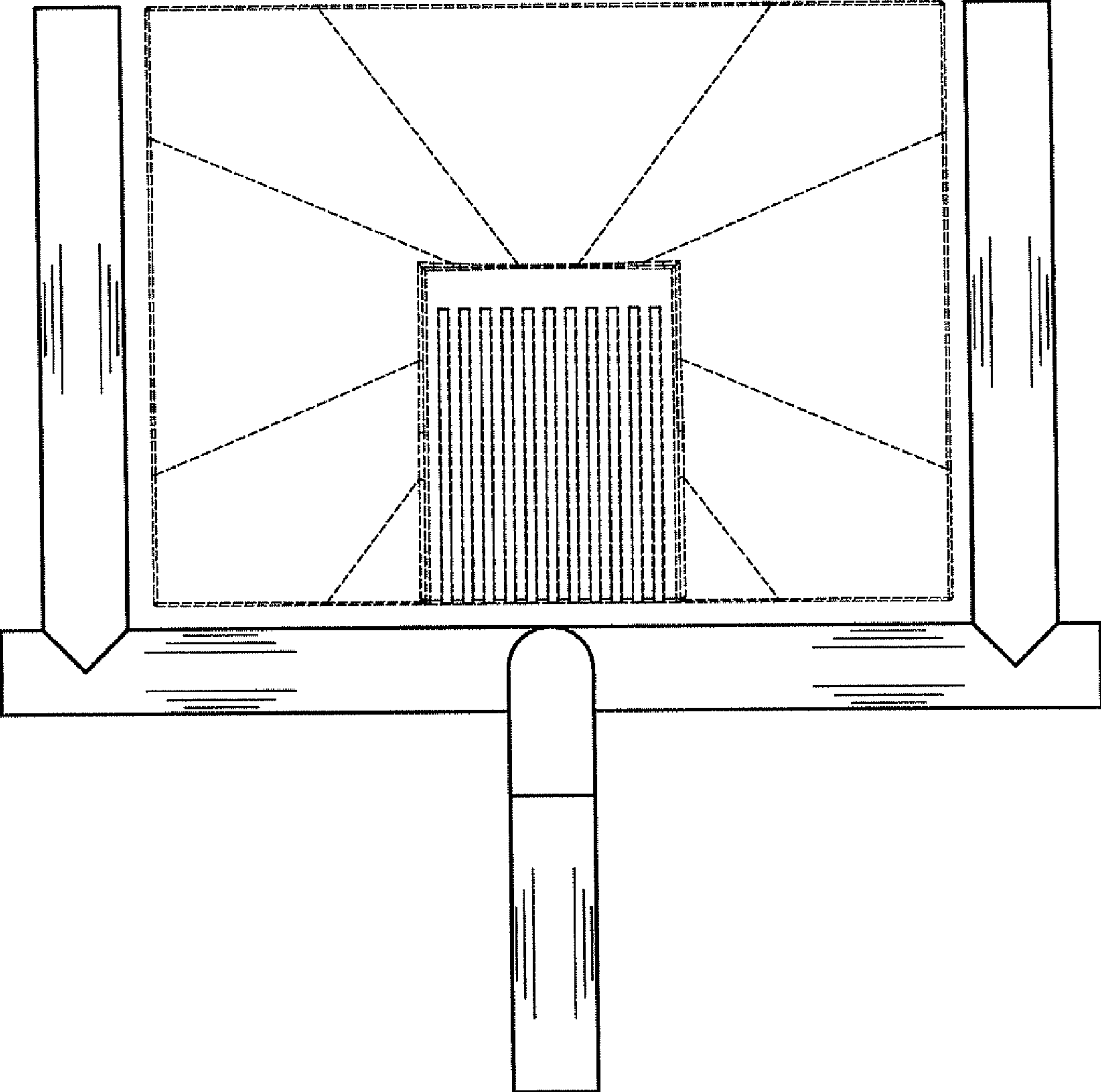


Fig. 4

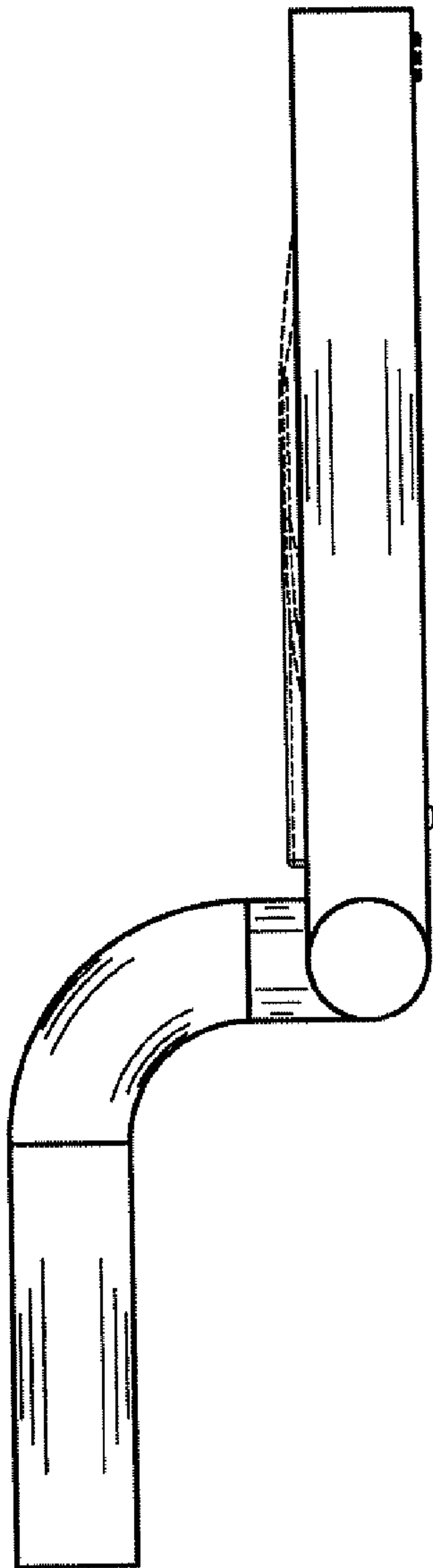


Fig. 5

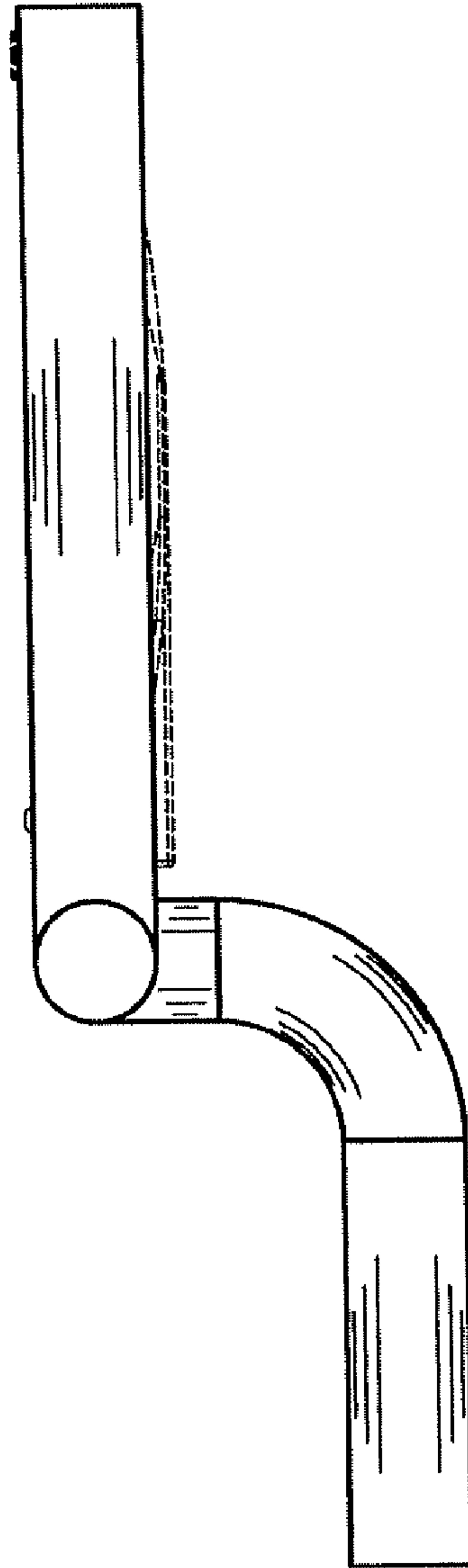


Fig. 6

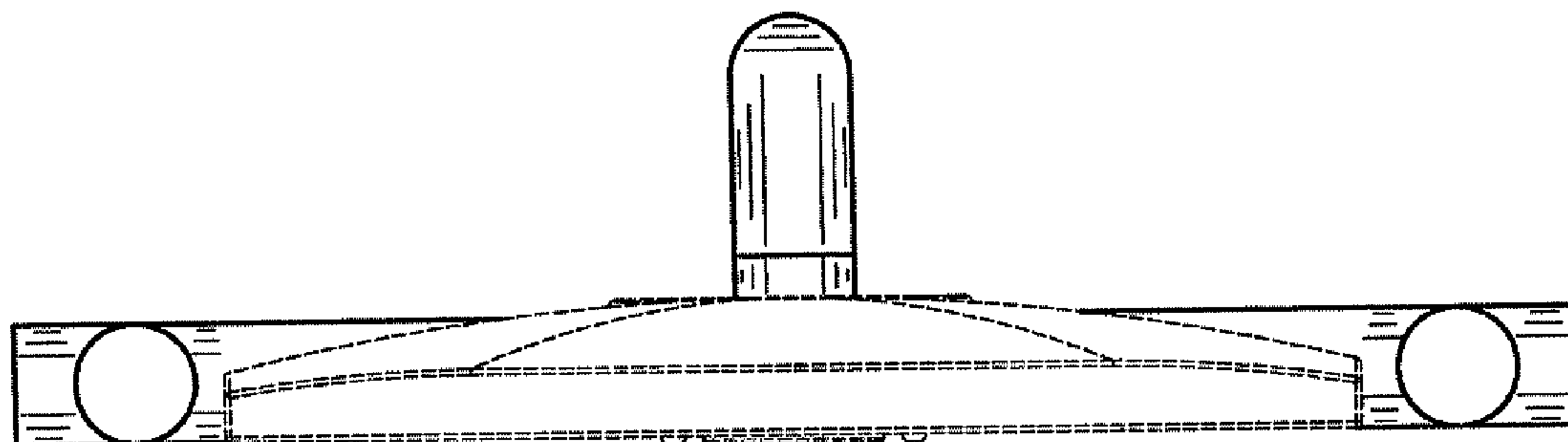


Fig. 7

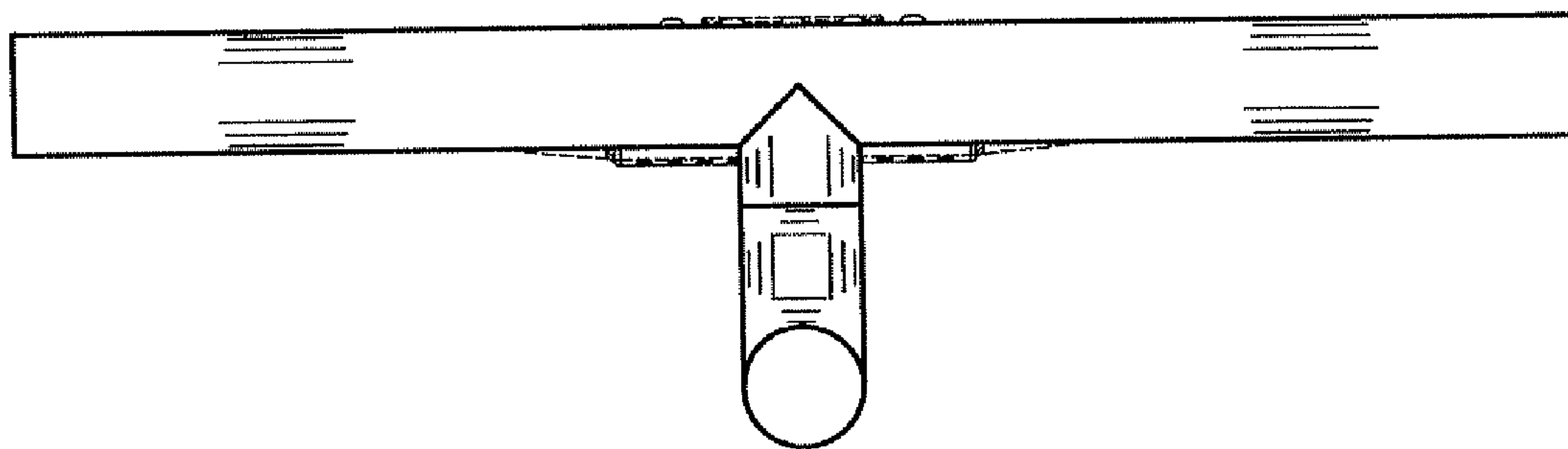


Fig. 8