



US00D579688S

(12) **United States Design Patent**  
**Martinez et al.**

(10) **Patent No.:** **US D579,688 S**

(45) **Date of Patent:** **\*\* Nov. 4, 2008**

(54) **FOOD DISPENSING CENTER**

(75) Inventors: **Juan Jose Polanco Martinez**, Nuevo Leon (MX); **Hugo Espronceda Alba**, Nuevo Leon (MX); **Julia Gabriela Carranza Ramirez**, Nuevo Leon (MX)

(73) Assignee: **Sigma Alimentos S.A. de C.V.** (MX)

(\*\*) Term: **14 Years**

(21) Appl. No.: **29/272,528**

(22) Filed: **Feb. 9, 2007**

(51) **LOC (8) Cl.** ..... **06-04**

(52) **U.S. Cl.** ..... **D6/436; D6/470**

(58) **Field of Classification Search** ..... D6/432-448, D6/470, 471, 472; 312/114, 116, 204, 224, 312/236, 237, 257.1; D7/306, 589; D15/82; D20/4, 8; 194/221; 221/150 A, 150 HC, 221/150 R

See application file for complete search history.

(56) **References Cited**

**U.S. PATENT DOCUMENTS**

- 3,147,838 A \* 9/1964 Mueller et al. .... 194/221
- 3,165,186 A \* 1/1965 Zeiter ..... 221/150 HC
- 3,632,968 A \* 1/1972 Wilson ..... 312/236
- D341,162 S \* 11/1993 Kreitz ..... D20/4

- 5,555,793 A \* 9/1996 Tocchet et al. .... 221/150 A
- 5,566,856 A \* 10/1996 Fallen et al. .... 221/150 HC
- 5,772,072 A \* 6/1998 Prescott et al. .... 221/150 A
- 6,082,579 A \* 7/2000 Chu ..... 221/150 R
- D509,380 S \* 9/2005 Lines ..... D6/470
- 7,137,529 B2 \* 11/2006 Martinelli et al. .... 221/150 R
- 7,266,423 B2 \* 9/2007 Simmons ..... 221/150 R
- 7,303,093 B2 \* 12/2007 Ward ..... 221/150 HC
- 2008/0099501 A1 \* 5/2008 Ward ..... 221/150 HC

\* cited by examiner

*Primary Examiner*—Mimosa De

(74) *Attorney, Agent, or Firm*—Bracewell & Giuliani LLP

(57) **CLAIM**

The ornamental design for food dispensing center, as shown.

**DESCRIPTION**

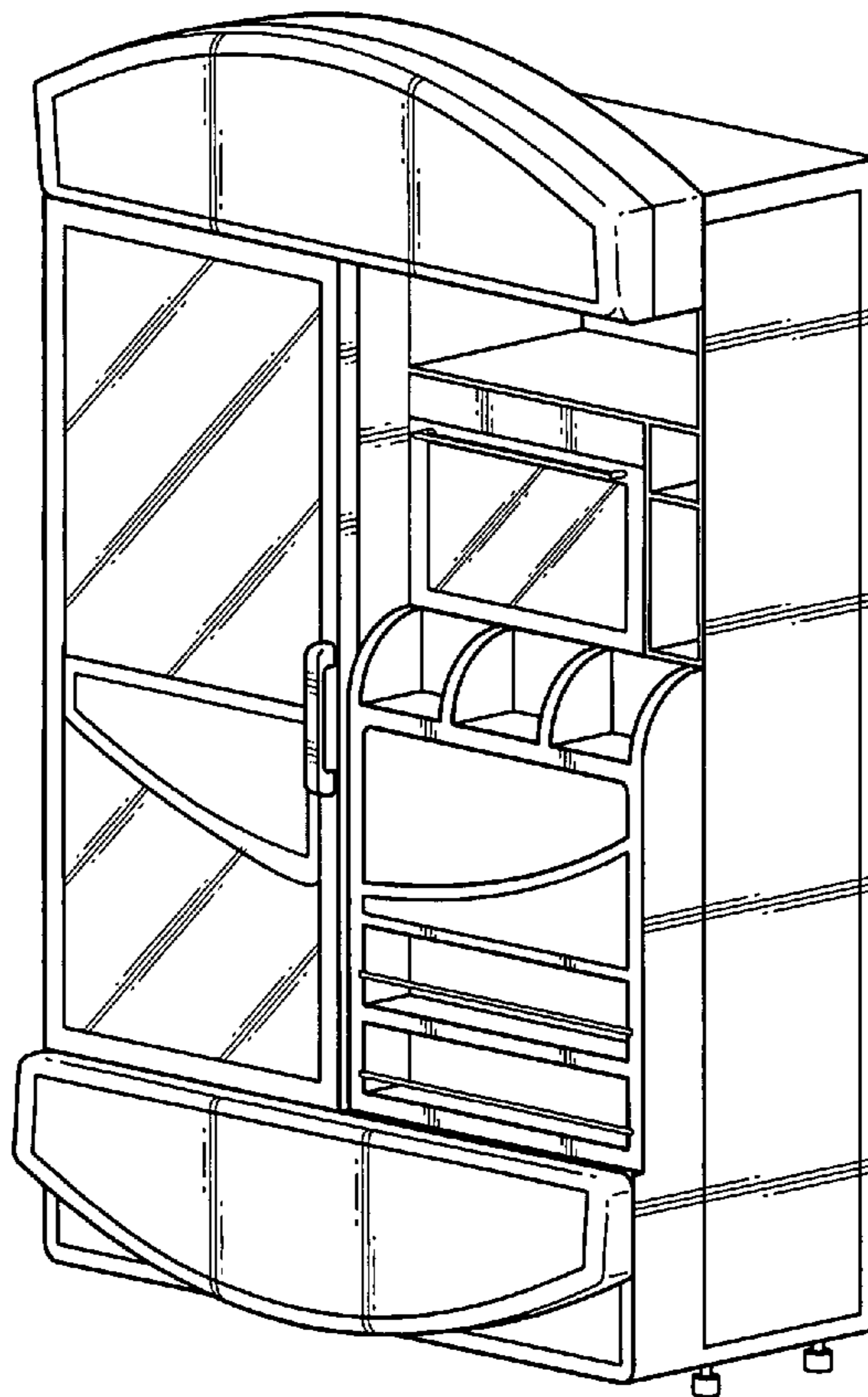
FIG. 1 is an isometric view showing the ornamental design for a food dispensing center according to the present invention.

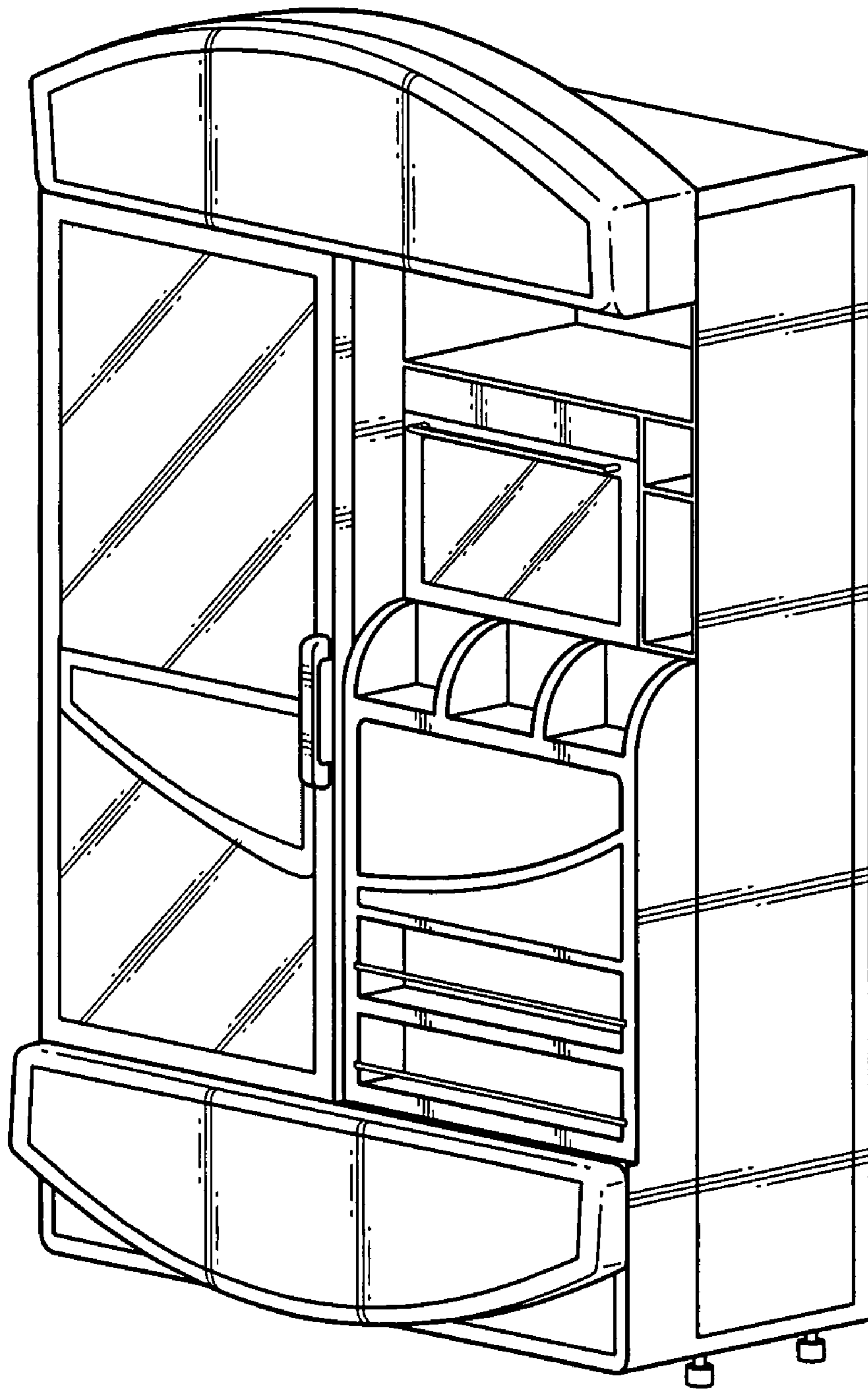
FIG. 2 is a front elevation view of the food dispensing center of FIG. 1.

FIG. 3 is a left side elevation view of the food dispensing center of FIG. 1; and,

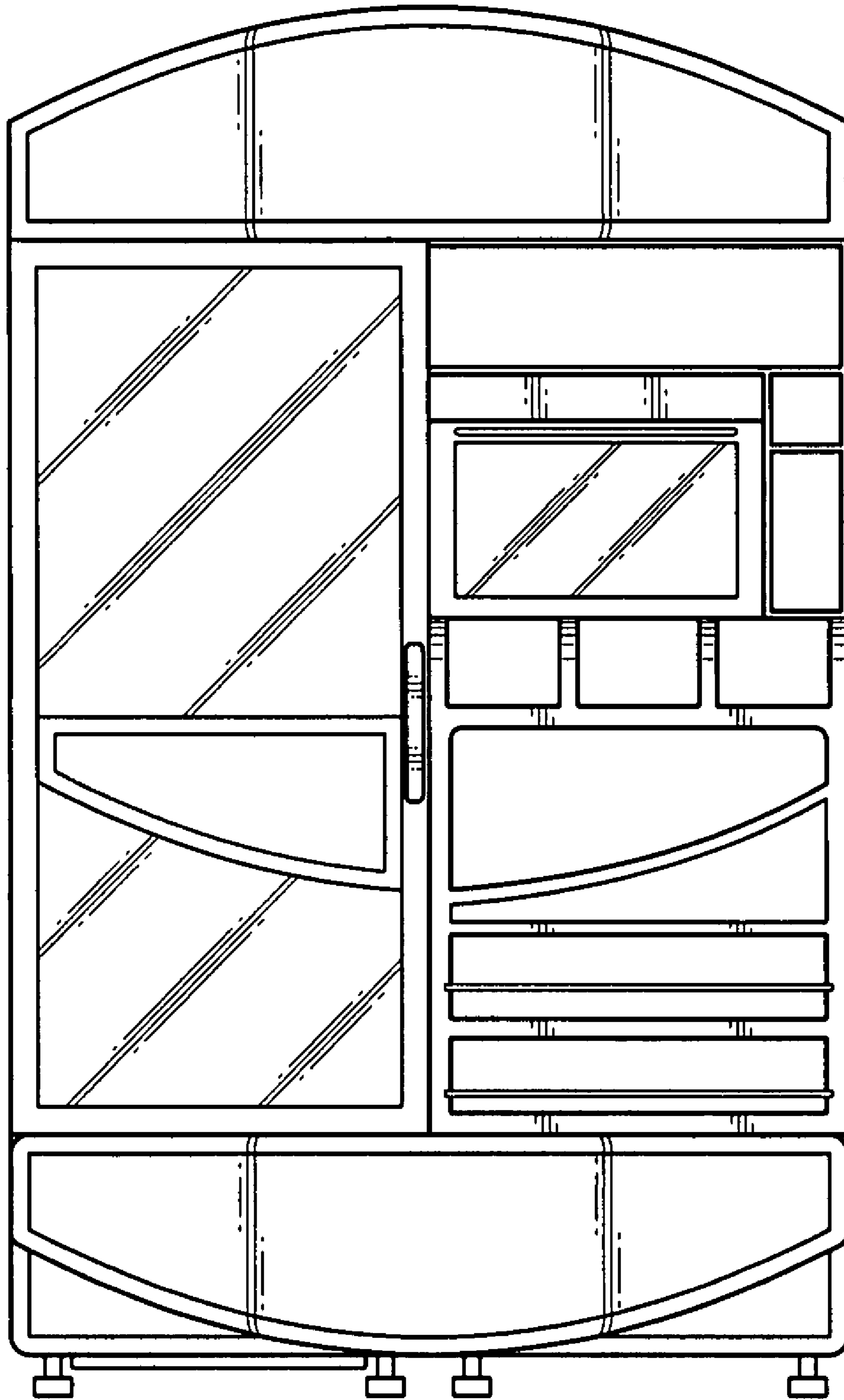
FIG. 4 is a right side elevation view of the food dispensing center of FIG. 1.

**1 Claim, 3 Drawing Sheets**

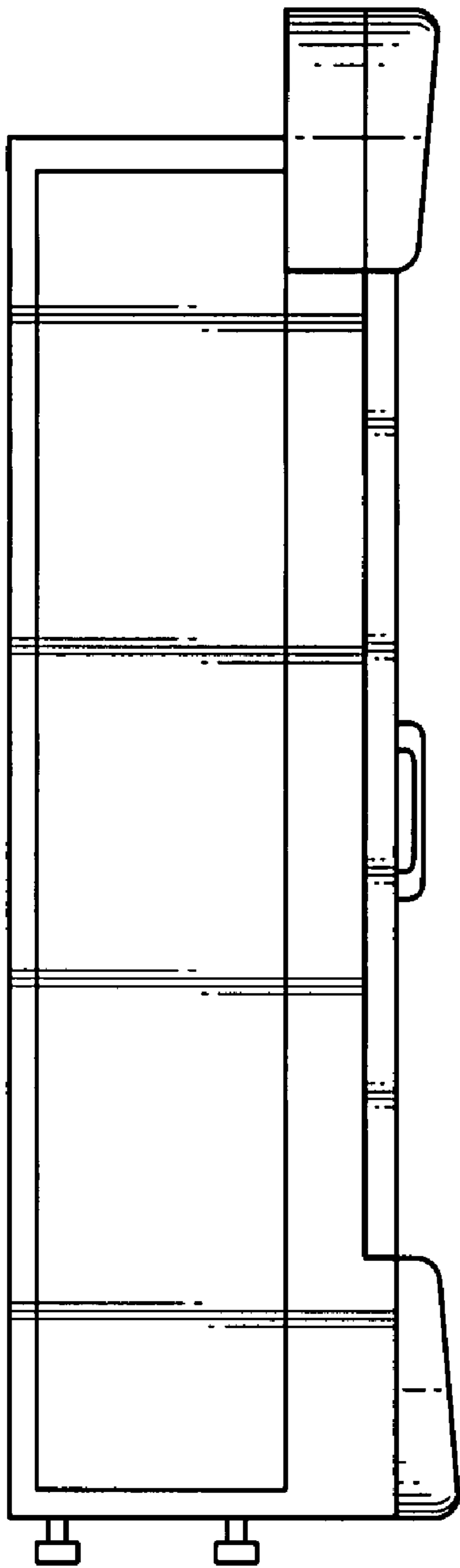




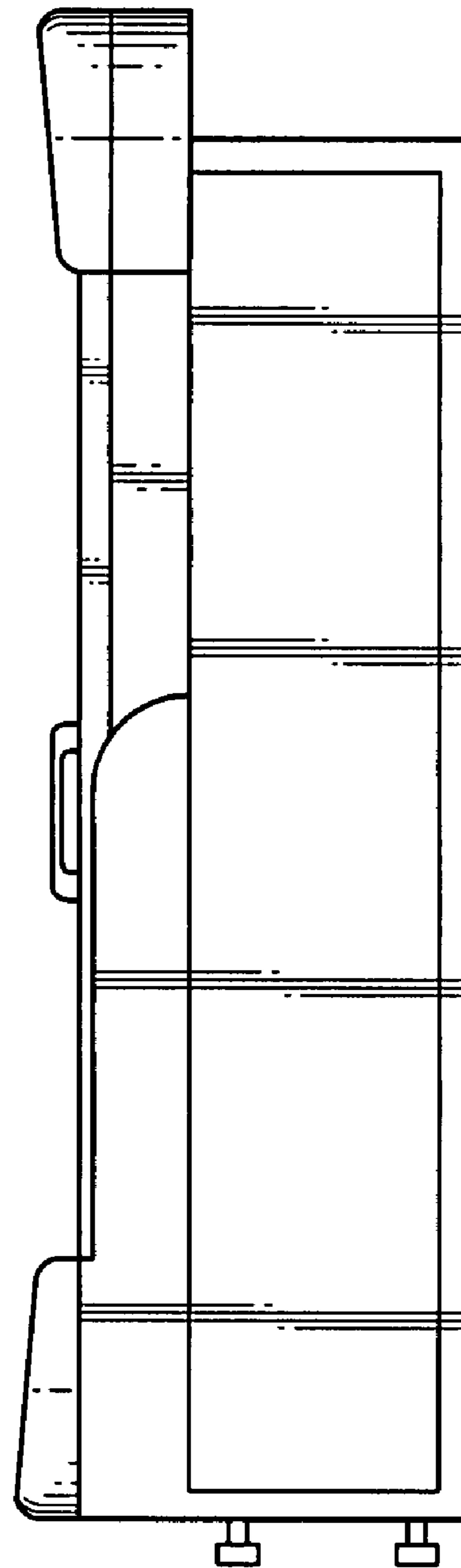
**FIG. 1**



**FIG. 2**



**FIG. 3**



**FIG. 4**