



US00D579687S

(12) **United States Design Patent**  
**Auberger**

(10) **Patent No.:** **US D579,687 S**  
(45) **Date of Patent:** **\*\* Nov. 4, 2008**

(54) **SQUARE STORAGE FURNITURE WITH OPEN TOP**

(75) Inventor: **Benoît Auberger**, Mouilleron EN Pareds (FR)

(73) Assignee: **WESCO Company S.A.**, Cerizay (FR)

(\*\*) Term: **14 Years**

(21) Appl. No.: **29/288,802**

(22) Filed: **Jun. 19, 2007**

(30) **Foreign Application Priority Data**

Dec. 19, 2006 (EM) ..... 000643333-0079

(51) **LOC (8) Cl.** ..... **06-04**

(52) **U.S. Cl.** ..... **D6/432**

(58) **Field of Classification Search** ..... D3/203, D3/272, 294, 304-315; D6/301, 310, 407, D6/436, 467-469, 450, 453, 462, 465, 466, D6/476, 510; D7/409, 542, 620, 706; D30/106-107; D34/6, 19; 206/307, 307.1, 308.1, 528; 211/40, 211/41.1, 41.2, 41.5, 41.12; 217/35; 220/4.33, 220/6, 23.4, 476, 523; 312/9.1, 9.8-9.9, 312/9.47, 9.49, 9.51-9.56, 9.64

See application file for complete search history.

(56) **References Cited**

**U.S. PATENT DOCUMENTS**

3,741,428 A \* 6/1973 Evjen et al. .... 220/476

D308,272 S \* 5/1990 Koepsell ..... D34/6  
5,050,755 A \* 9/1991 Strawder ..... 220/23.4  
D345,847 S \* 4/1994 Schuchard ..... D3/305  
D480,560 S \* 10/2003 Tanji ..... D3/294  
D506,613 S \* 6/2005 Gusdorf ..... D3/304  
D547,550 S \* 7/2007 Boutin ..... D3/304

\* cited by examiner

*Primary Examiner*—Stella M. Reid

*Assistant Examiner*—Ricky Pham

(74) *Attorney, Agent, or Firm*—Horst M. Kasper

(57) **CLAIM**

The ornamental design for a square storage furniture with open top, as shown.

**DESCRIPTION**

FIG. 1 is a front elevational view of square storage furniture with open top;

FIG. 2 is a top plan view thereof;

FIG. 3 is a rear elevational view thereof;

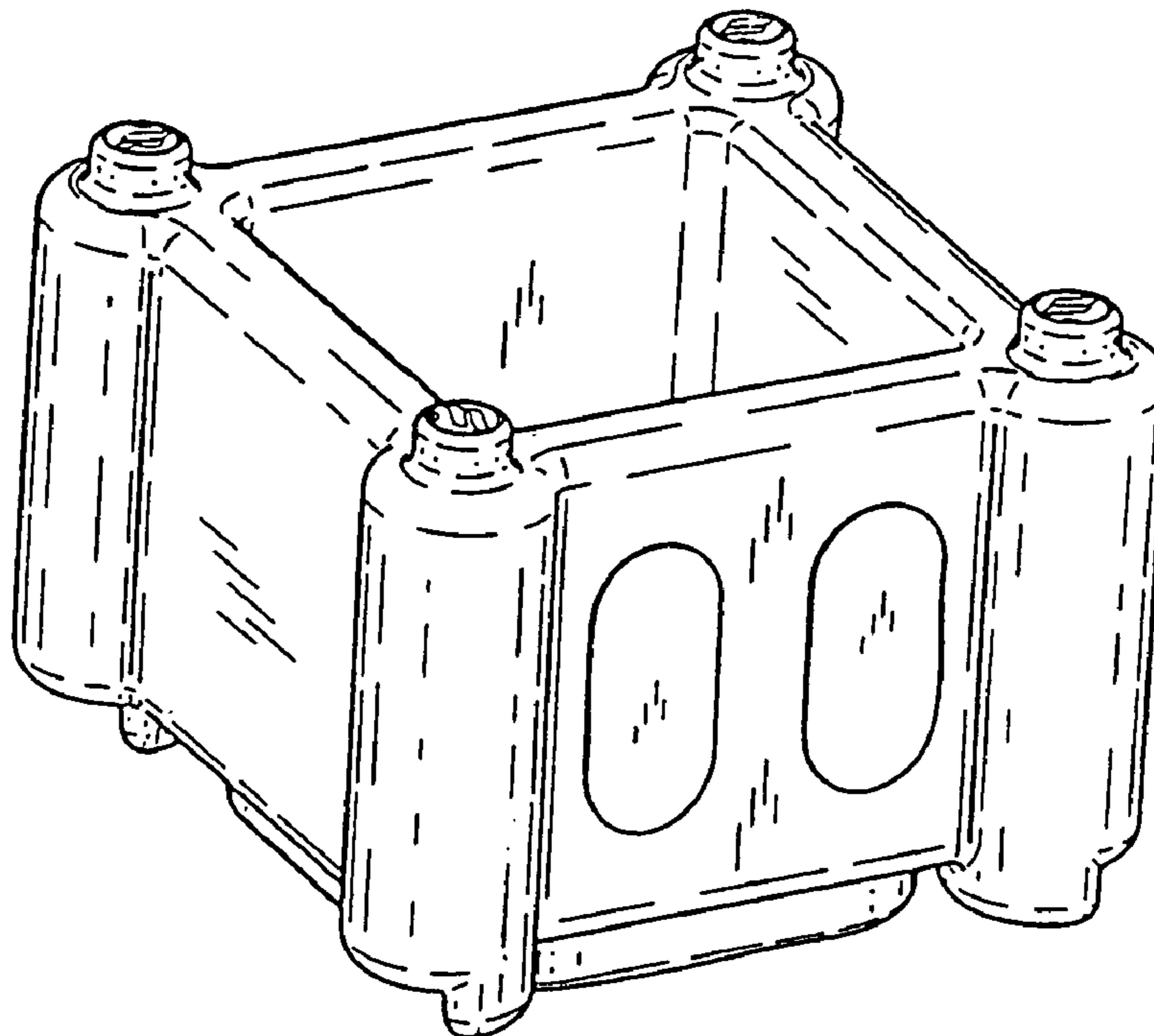
FIG. 4 is a right side elevational view thereof;

FIG. 5 is a left side elevational view thereof;

FIG. 6 is a bottom plan view thereof; and,

FIG. 7 is a front perspective view thereof.

**1 Claim, 7 Drawing Sheets**



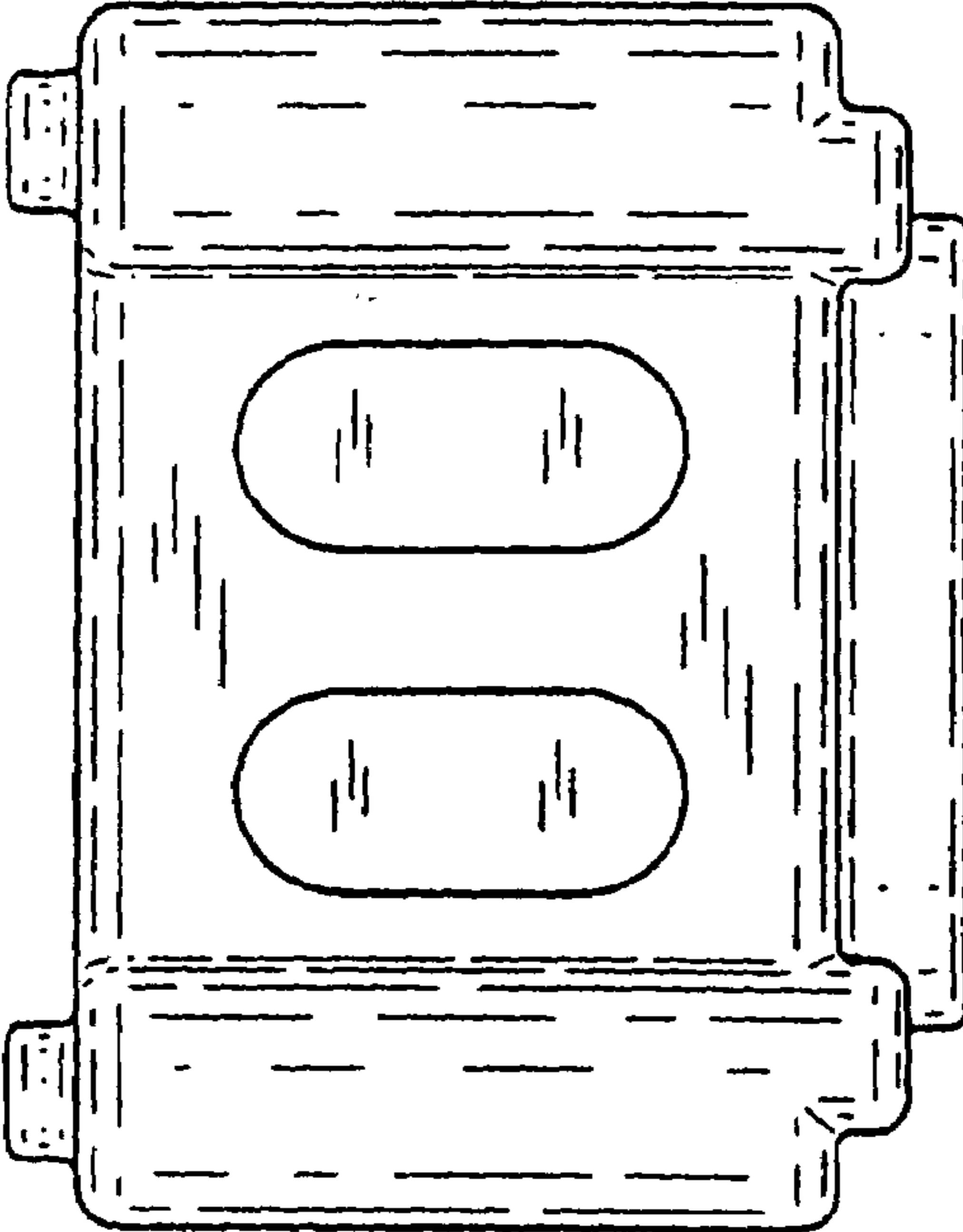


Fig.1

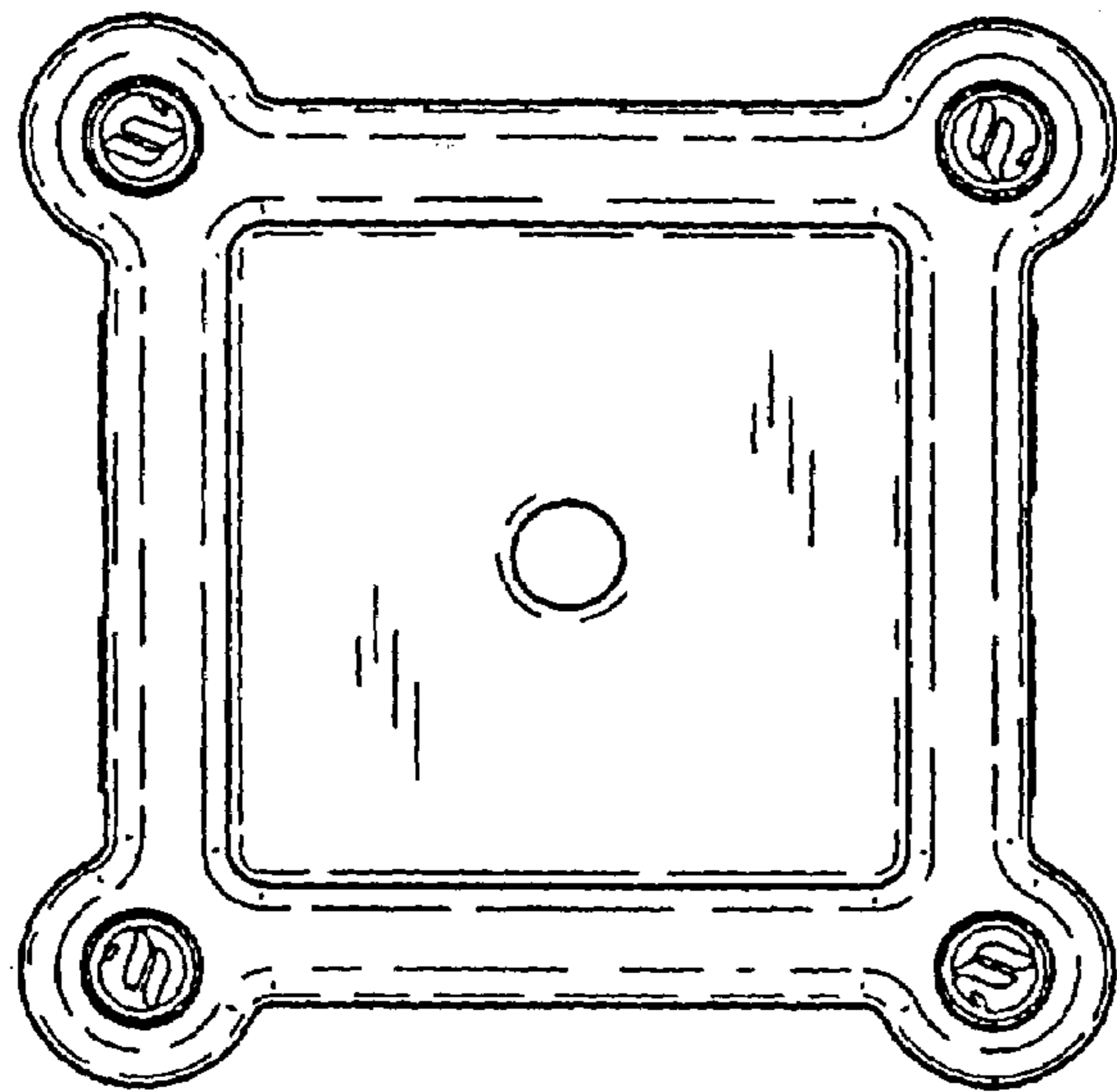


Fig.2

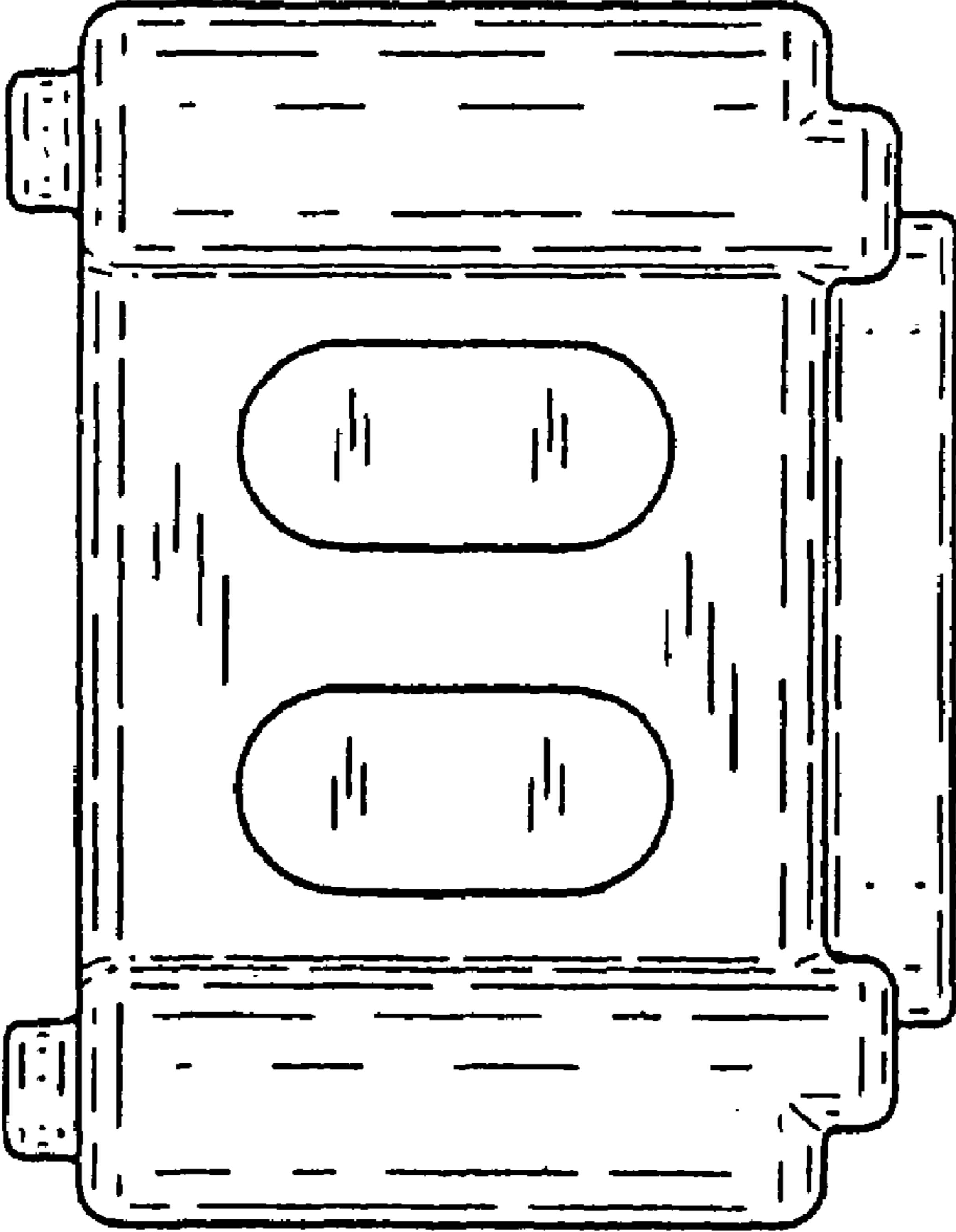


Fig. 3

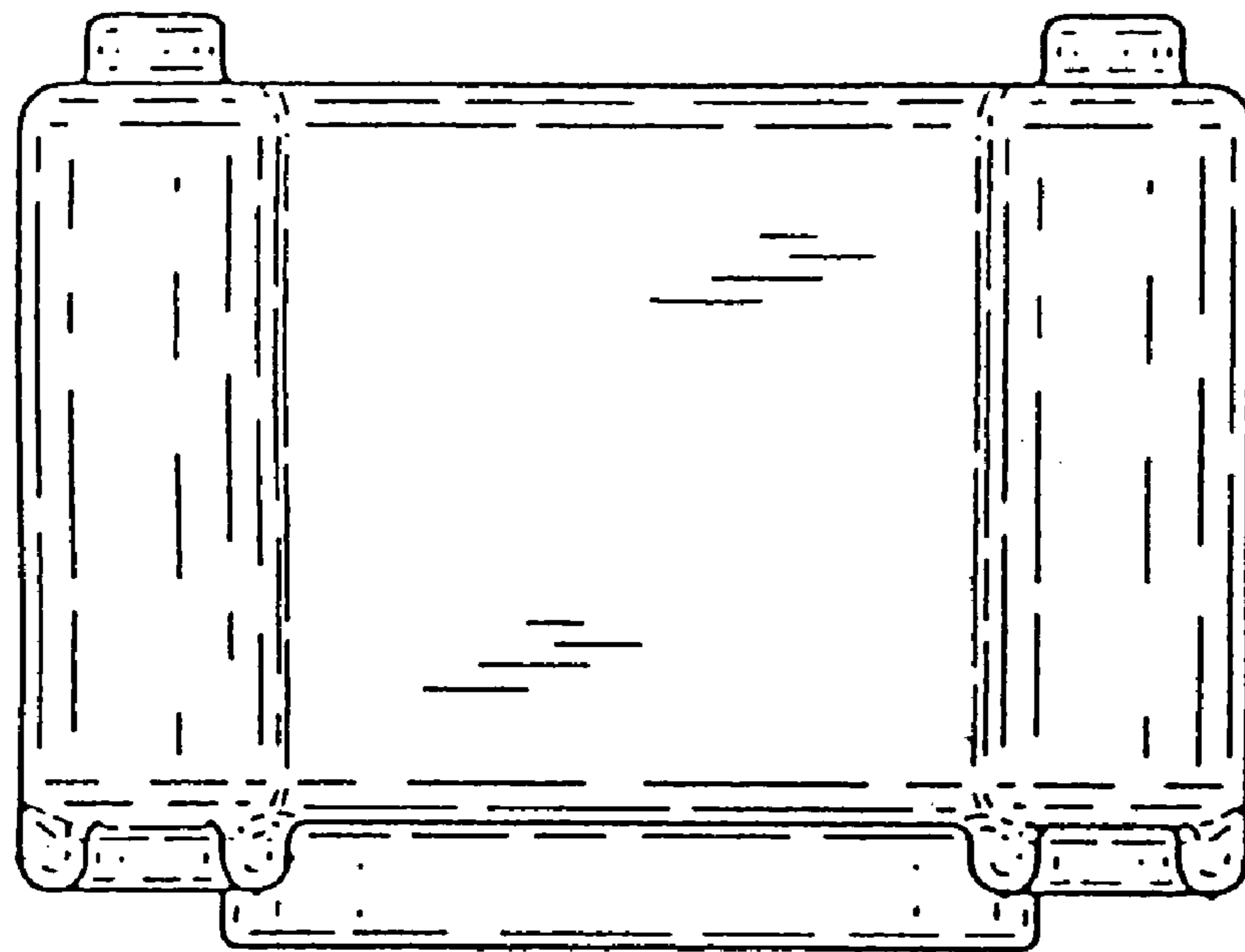


Fig.4

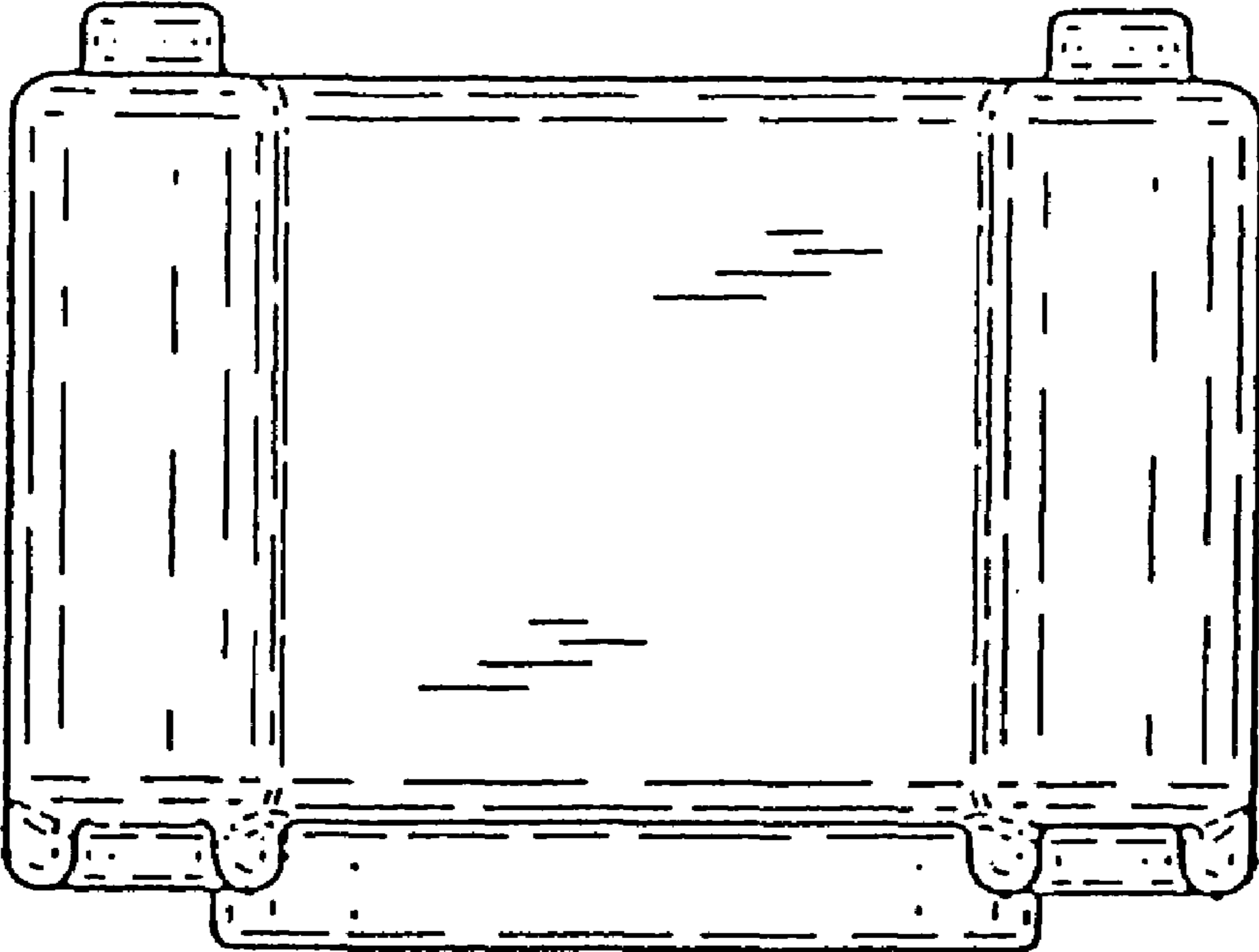


Fig.5

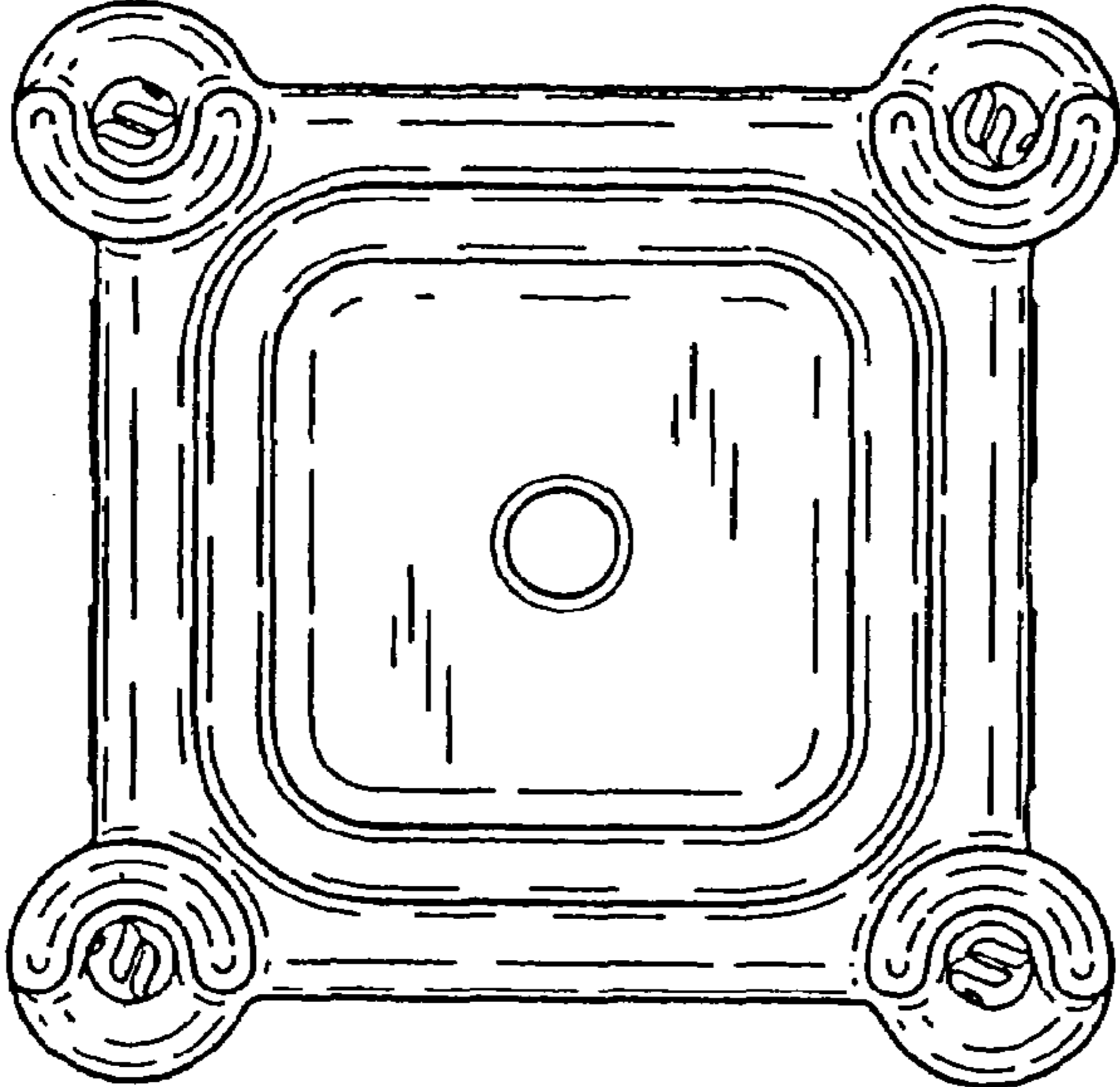


Fig. 6

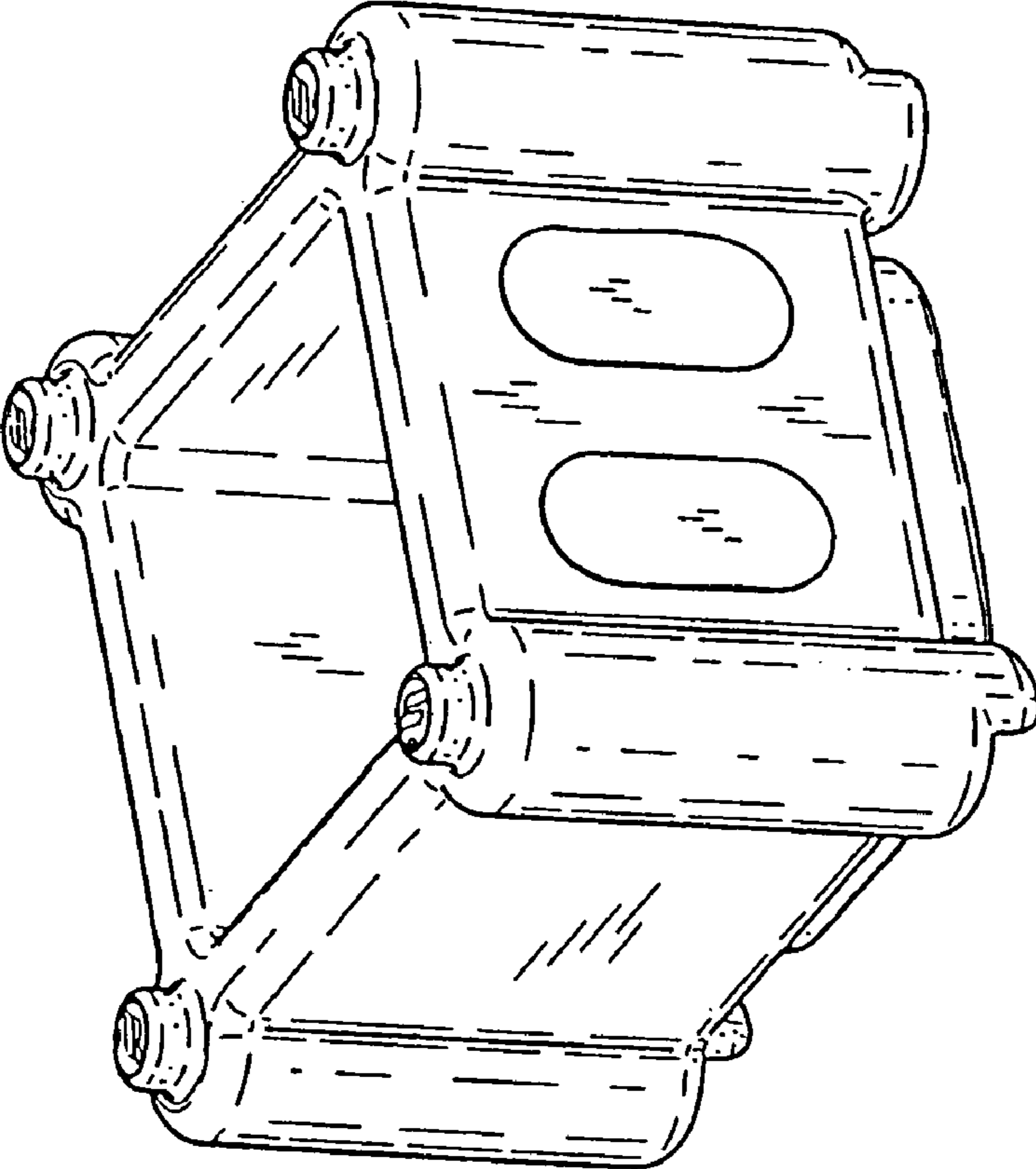


Fig. 7