



US00D579684S

(12) **United States Design Patent**
Skalka

(10) **Patent No.:** **US D579,684 S**
(45) **Date of Patent:** **** Nov. 4, 2008**

(54) **BENCH**
(75) Inventor: **Gerald Skalka**, Potomac, MD (US)
(73) Assignee: **Victor Stanley, Inc.**, Dunkirk, MD (US)
(**) Term: **14 Years**
(21) Appl. No.: **29/290,548**
(22) Filed: **Dec. 14, 2007**

D526,805 S 8/2006 Skalka
D530,534 S * 10/2006 Skalka D6/366
D532,620 S 11/2006 Skalka
D536,184 S 2/2007 Skalka

* cited by examiner

Primary Examiner—Sandra Snapp
(74) *Attorney, Agent, or Firm*—Jacobson Holman PLLC

(51) **LOC (8) Cl.** **06-01**
(52) **U.S. Cl.** **D6/381**
(58) **Field of Classification Search** D6/334,
D6/349, 355, 357, 367, 368, 370, 374–381,
D6/500–502; 297/175, 232, 233, 283.2,
297/283.3, 445.1, 448.1, 452.12, 452.38,
297/452.48, 461, 462; 5/12.1, 12.2
See application file for complete search history.

(57) **CLAIM**

The ornamental design for a bench, as shown and described.

DESCRIPTION

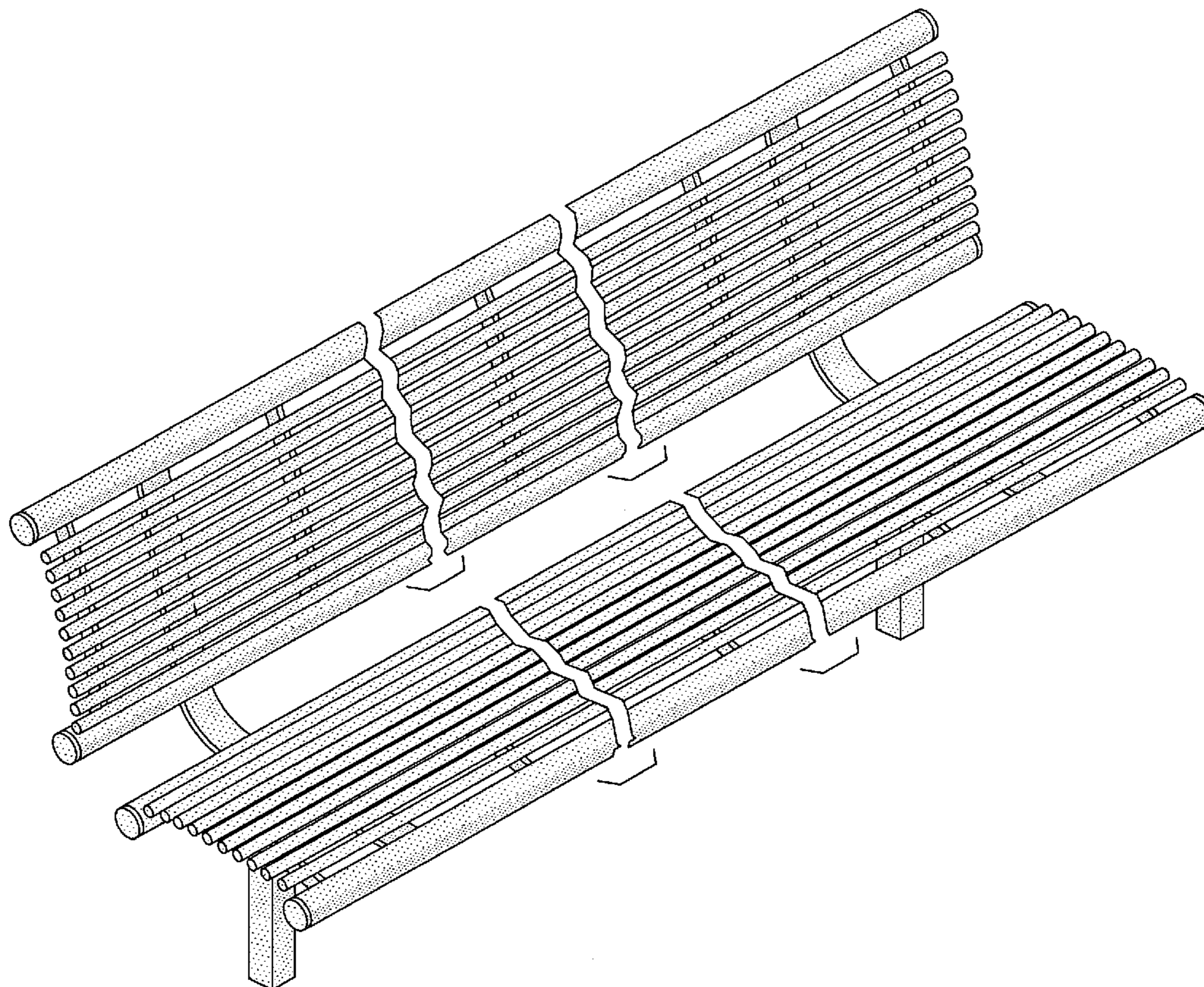
FIG. 1 is an isometric view of a bench showing my new design.
FIG. 2 is a right side elevational view of the bench of FIG. 1, the left side elevational view being a mirror image thereof.
FIG. 3 is a top plan view of the bench of FIG. 1.
FIG. 4 is a front elevational view of the bench of FIG. 1.
FIG. 5 is a back elevational view of the bench of FIG. 1; and,
FIG. 6 is a bottom plan view of the bench of FIG. 1.
The bench is shown broken-away transversely in the various views to indicate that a specific length forms no part of the claimed design.

(56) **References Cited**

U.S. PATENT DOCUMENTS

D263,353 S * 3/1982 Beals D6/370
D314,677 S * 2/1991 Hanna D6/381
D365,937 S 1/1996 Skalka
D386,012 S 11/1997 Skalka
D482,550 S * 11/2003 Kane D6/500
D522,775 S 6/2006 Skalka
D523,650 S 6/2006 Skalka

1 Claim, 3 Drawing Sheets



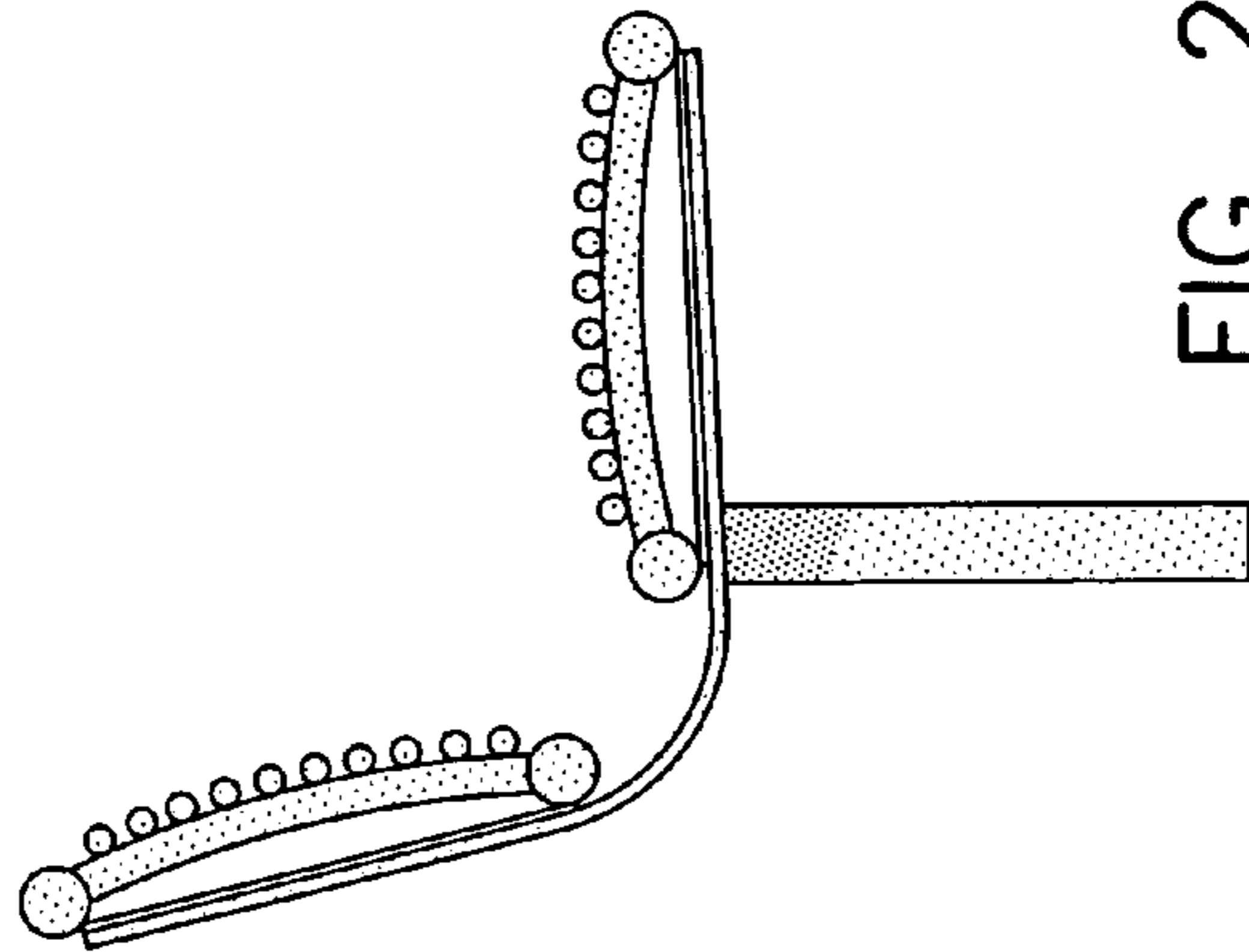
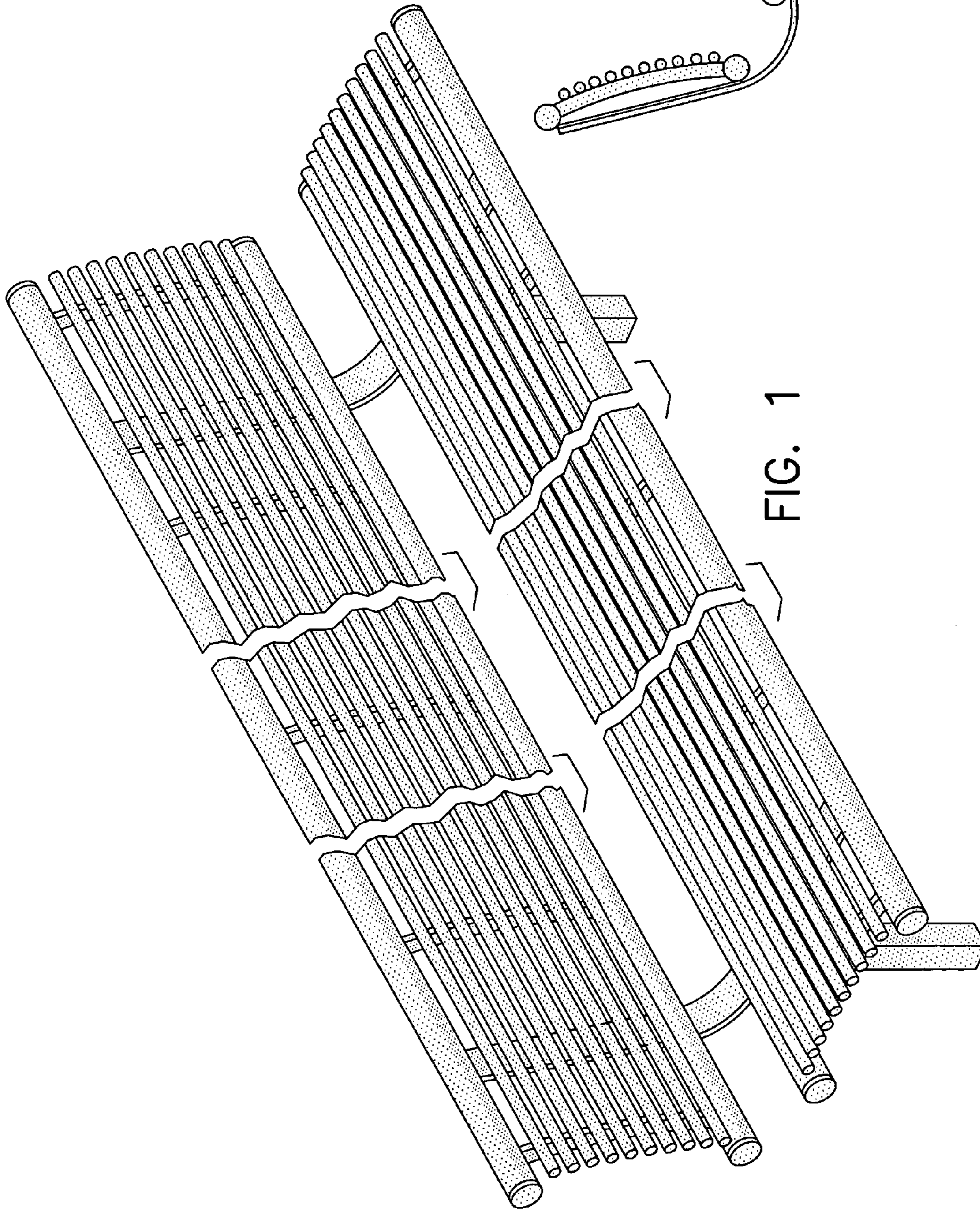


FIG. 1

FIG. 2

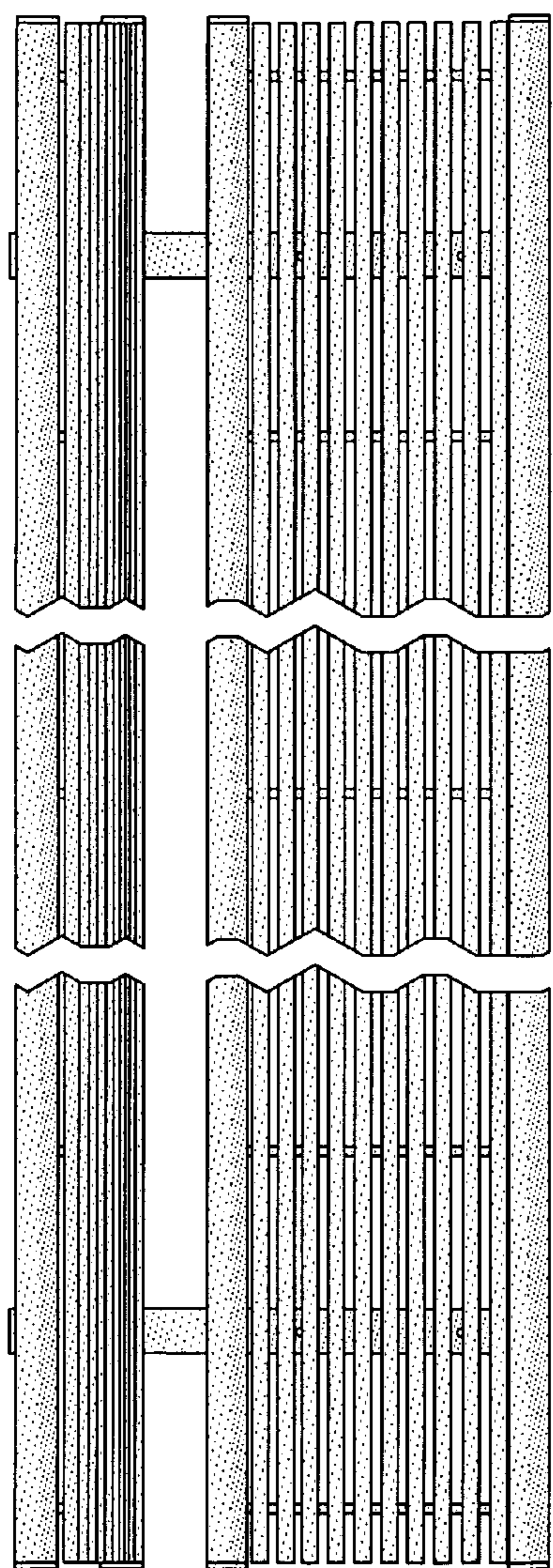


FIG. 3

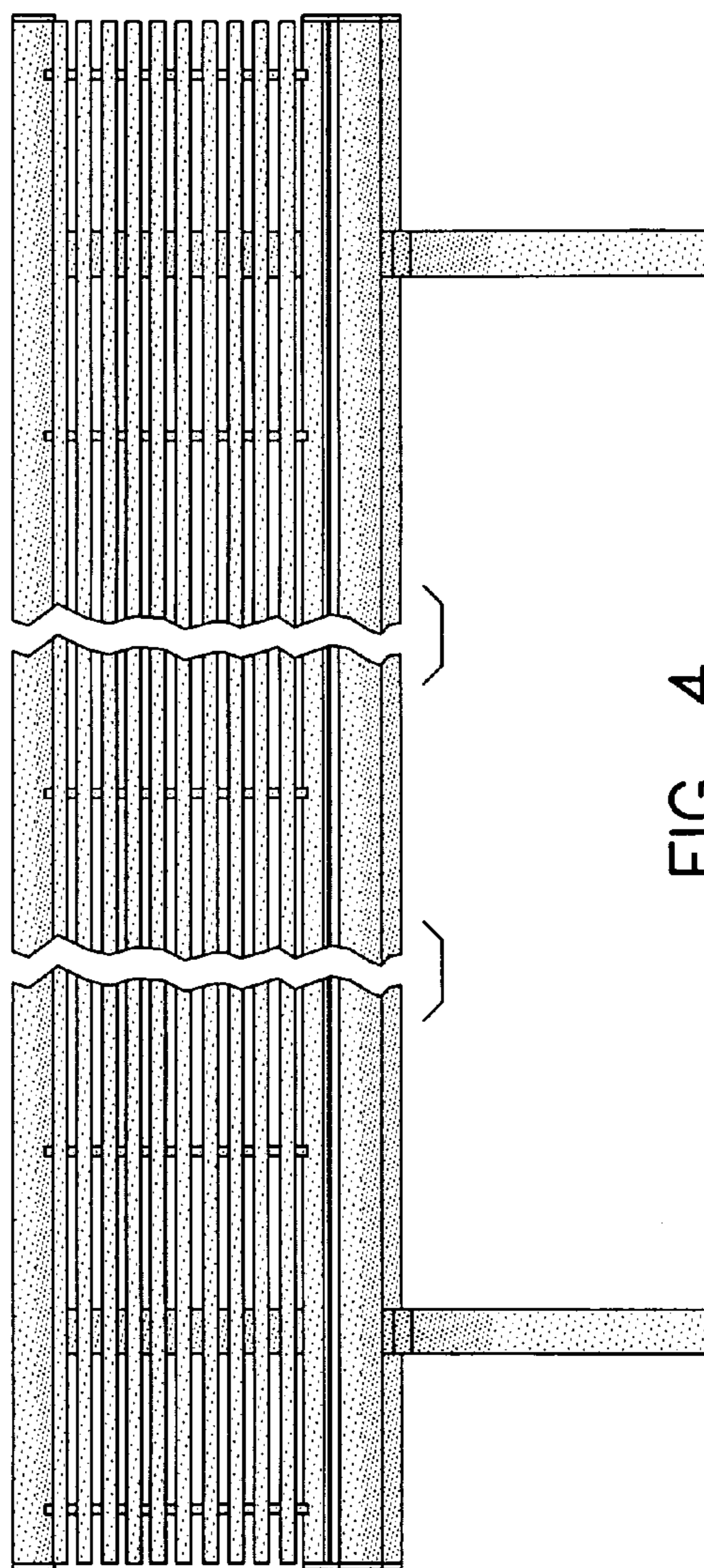


FIG. 4

