



US00D579682S

(12) **United States Design Patent**  
**Neil**

(10) **Patent No.:** **US D579,682 S**  
(45) **Date of Patent:** **\*\* Nov. 4, 2008**

(54) **CHAIR**

(75) Inventor: **Gary Neil**, Mississauga (CA)

(73) Assignee: **Allseating Corporation**, Mississauga (CA)

(\*\*) Term: **14 Years**

(21) Appl. No.: **29/317,786**

(22) Filed: **May 7, 2008**

(51) **LOC (8) Cl.** ..... **06-01**

(52) **U.S. Cl.** ..... **D6/366**

(58) **Field of Classification Search** ..... D6/334-336,  
D6/360, 364, 365, 366, 367, 369, 374, 379,  
D6/380, 498, 500-502; 297/353, 411.2,  
297/411.27, 411.36, 452.29, 452.3, 452.32,  
297/452.33, 452.35, 452.48

See application file for complete search history.

(56) **References Cited**

**U.S. PATENT DOCUMENTS**

D445,579 S \* 7/2001 Olson ..... D6/366  
D482,218 S \* 11/2003 Lin ..... D6/500  
D541,061 S \* 4/2007 Benden et al. .... D6/366

D543,038 S \* 5/2007 Benden et al. .... D6/366  
D557,026 S \* 12/2007 Klaasen et al. .... D6/366  
D563,687 S \* 3/2008 Neil ..... D6/366  
D566,410 S \* 4/2008 Neil ..... D6/366

\* cited by examiner

*Primary Examiner*—Mimosa De

(74) *Attorney, Agent, or Firm*—Miller Thomson LLP

(57) **CLAIM**

The ornamental design for the “chair,” as shown and described.

**DESCRIPTION**

FIG. 1 is a front perspective view of the chair.

FIG. 2 is a back perspective view of the chair.

FIG. 3 is a right side view of the chair.

FIG. 4 is a front view of the chair.

FIG. 5 is a left side view of the chair.

FIG. 6 is a back view of the chair.

FIG. 7 is a top view of the chair; and,

FIG. 8 is a bottom view of the chair.

**1 Claim, 8 Drawing Sheets**

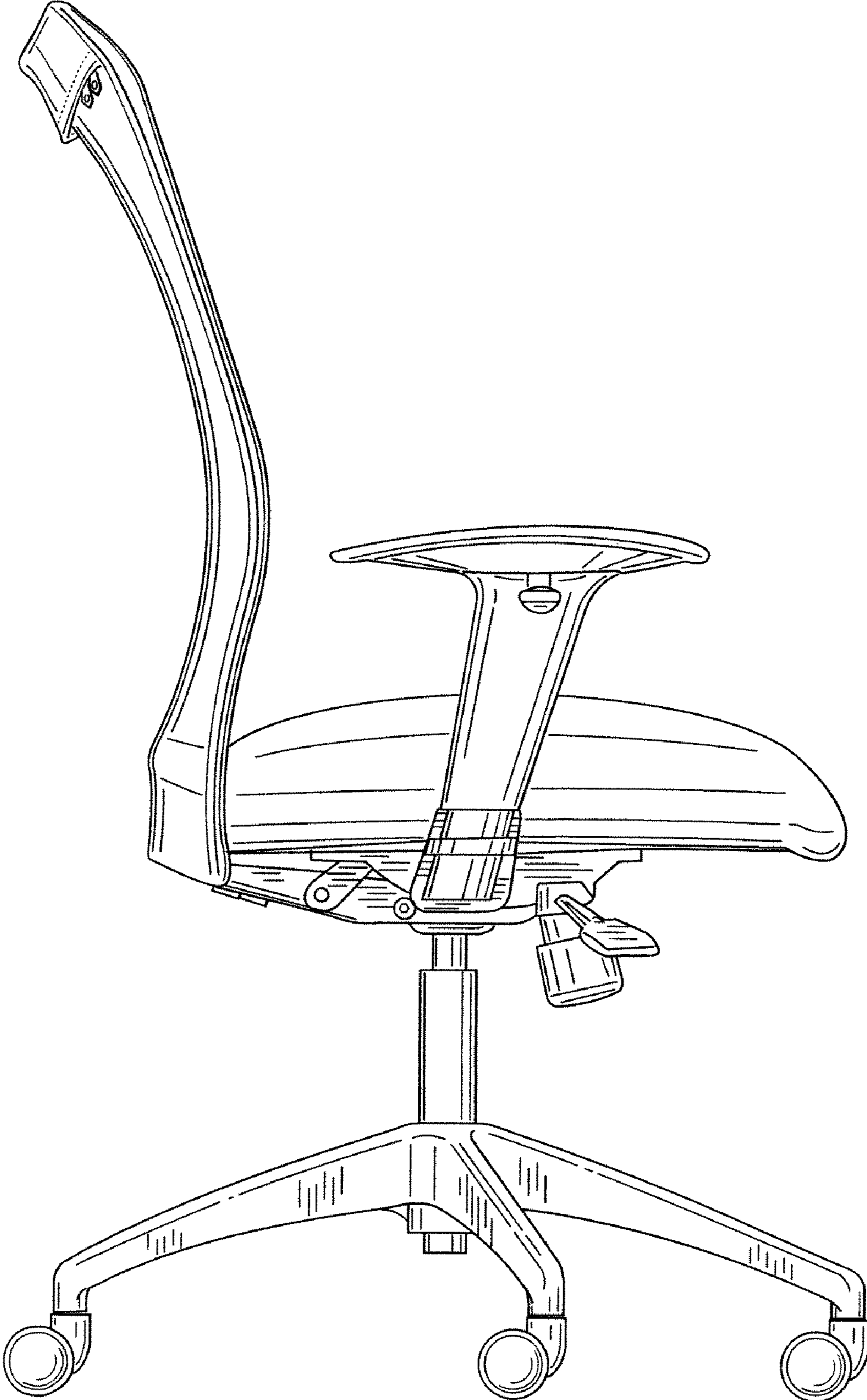




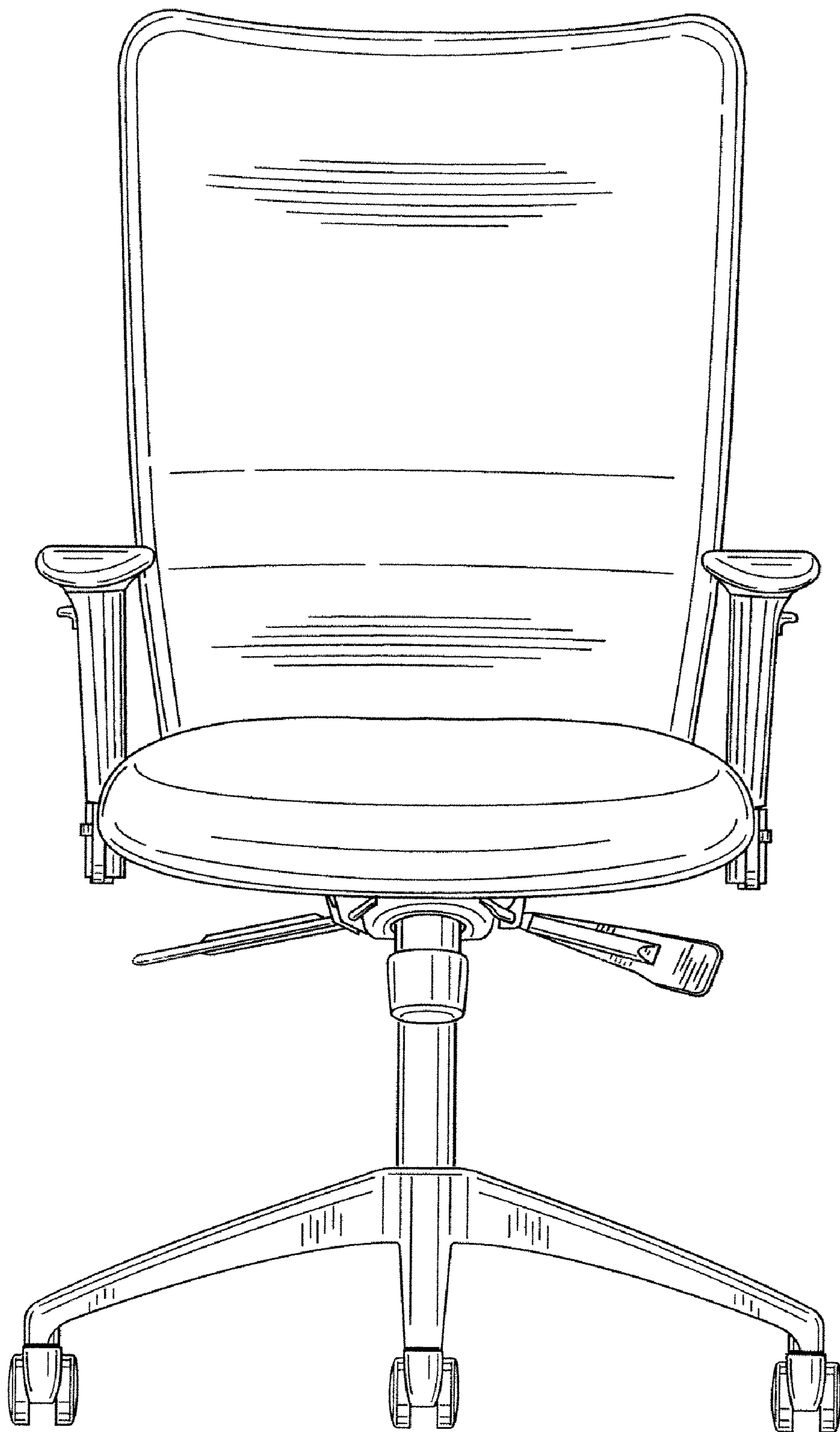
**FIG. 1**



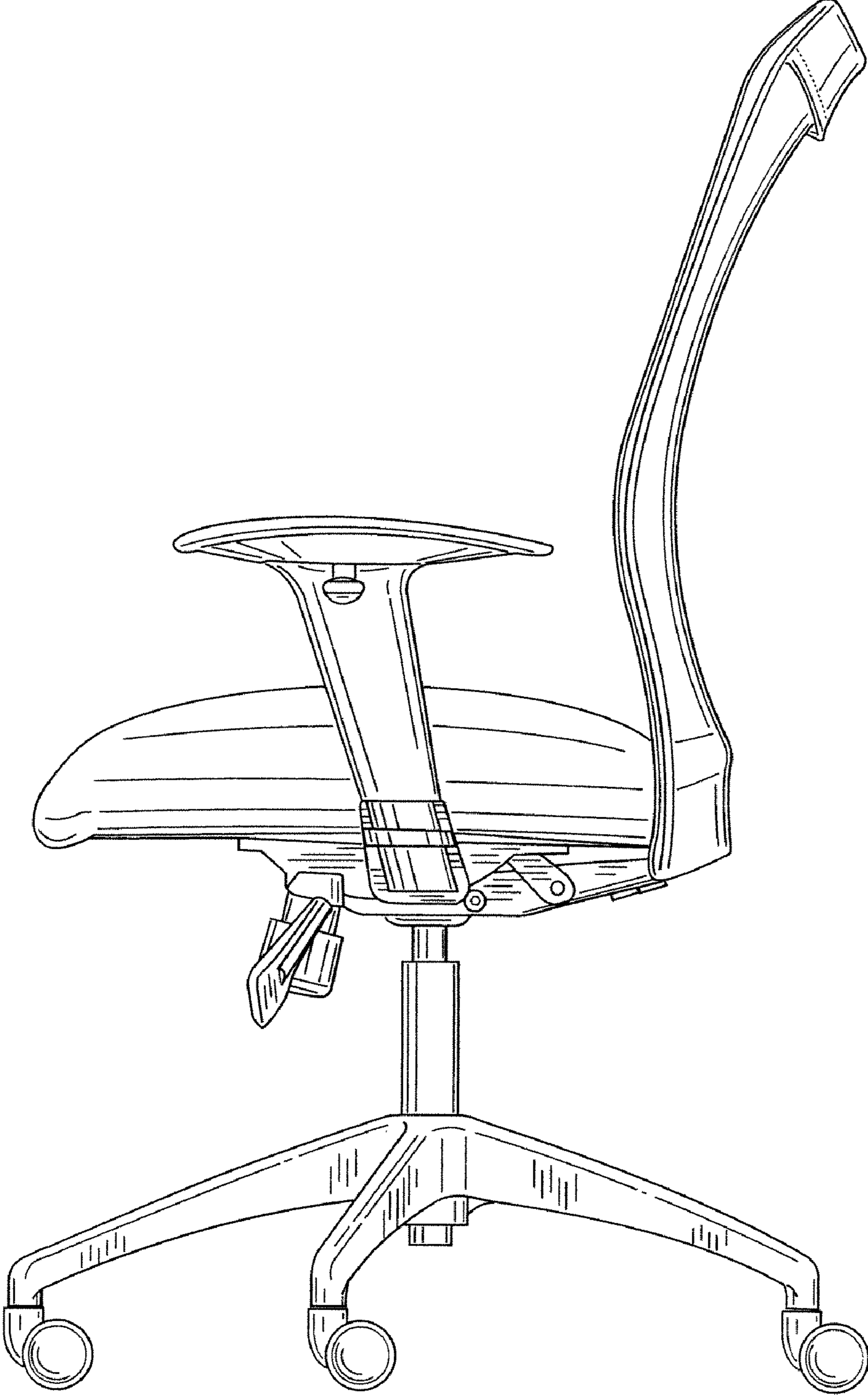
**FIG. 2**



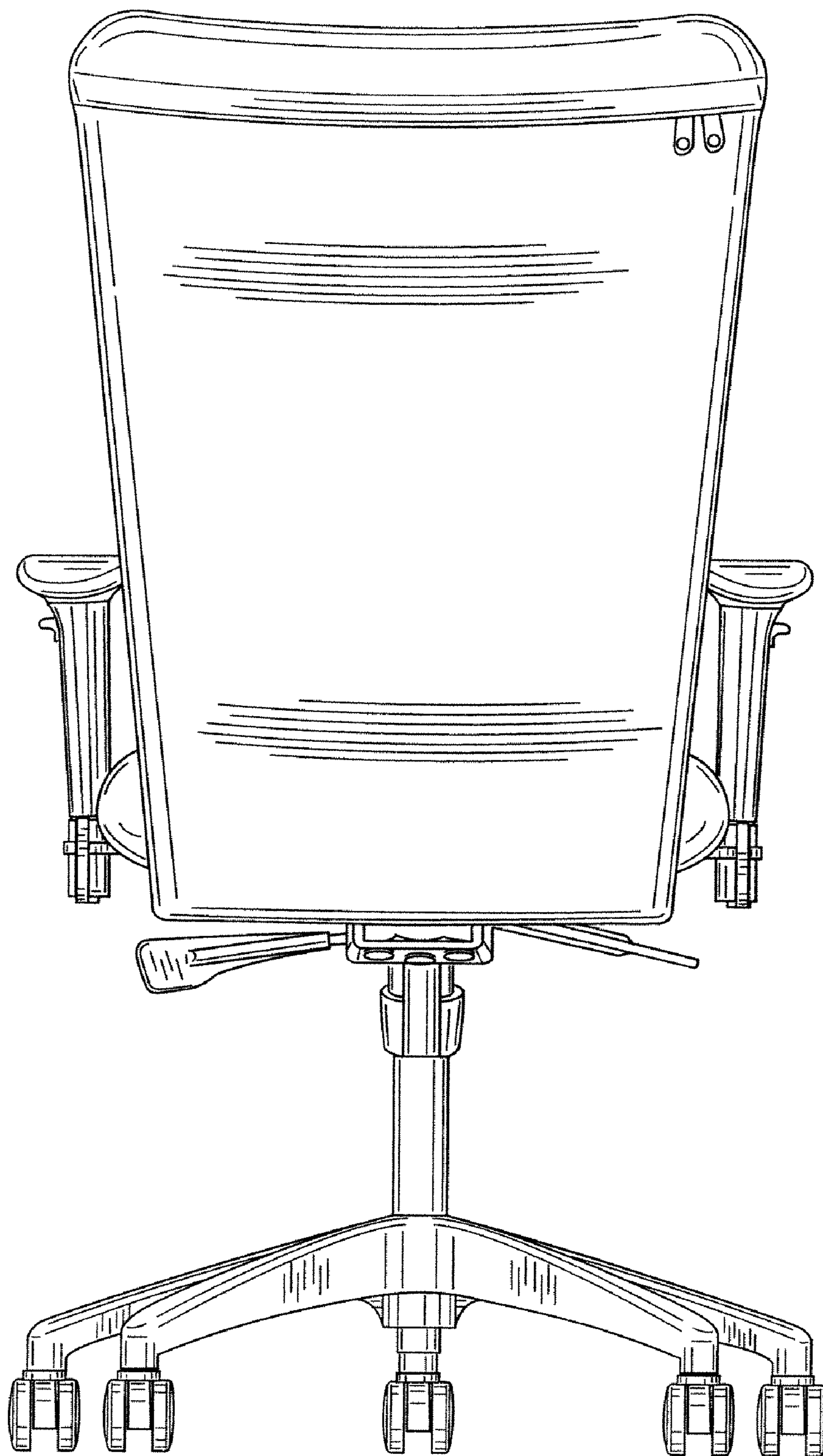
**FIG. 3**



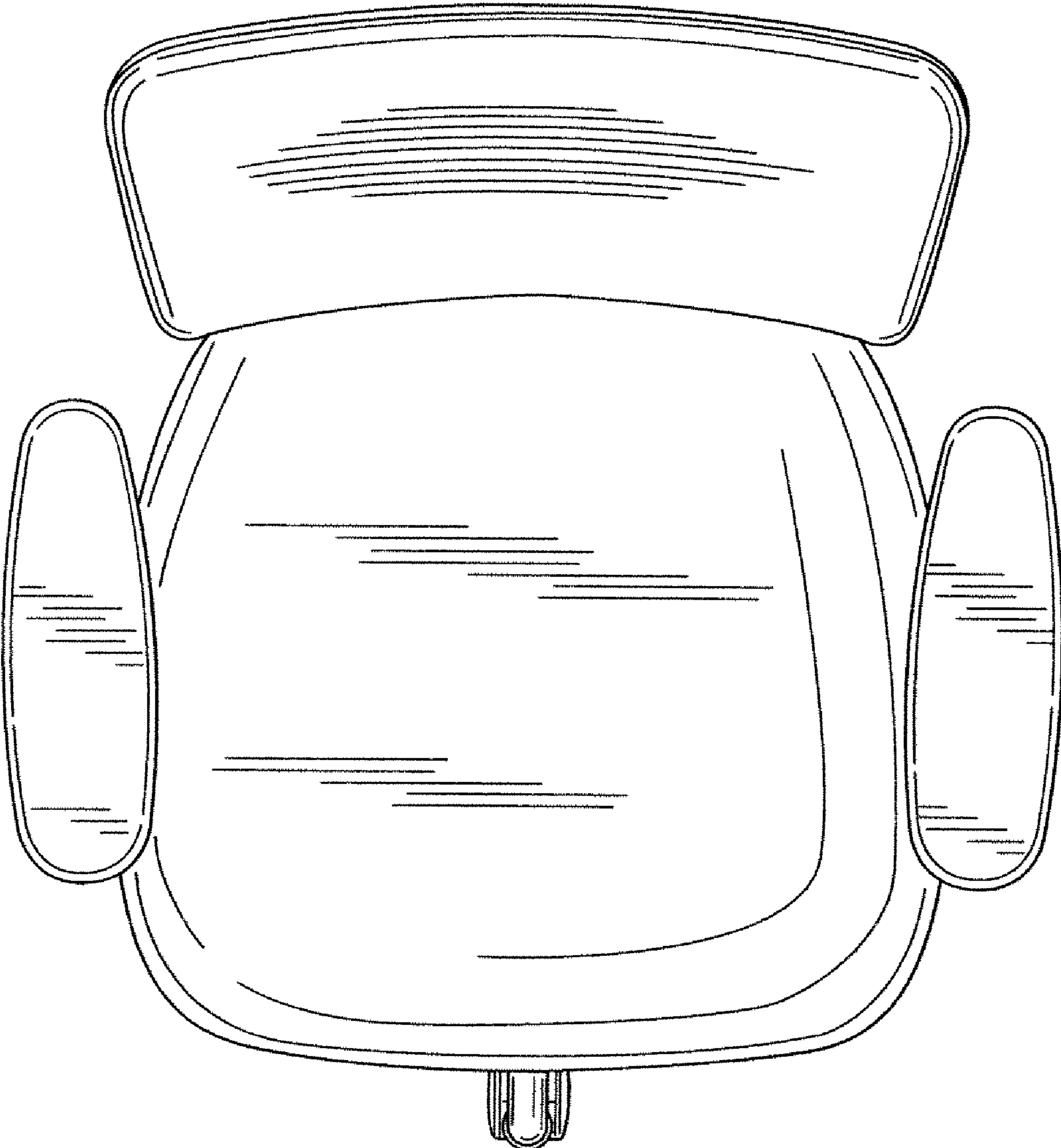
**FIG. 4**



**FIG. 5**

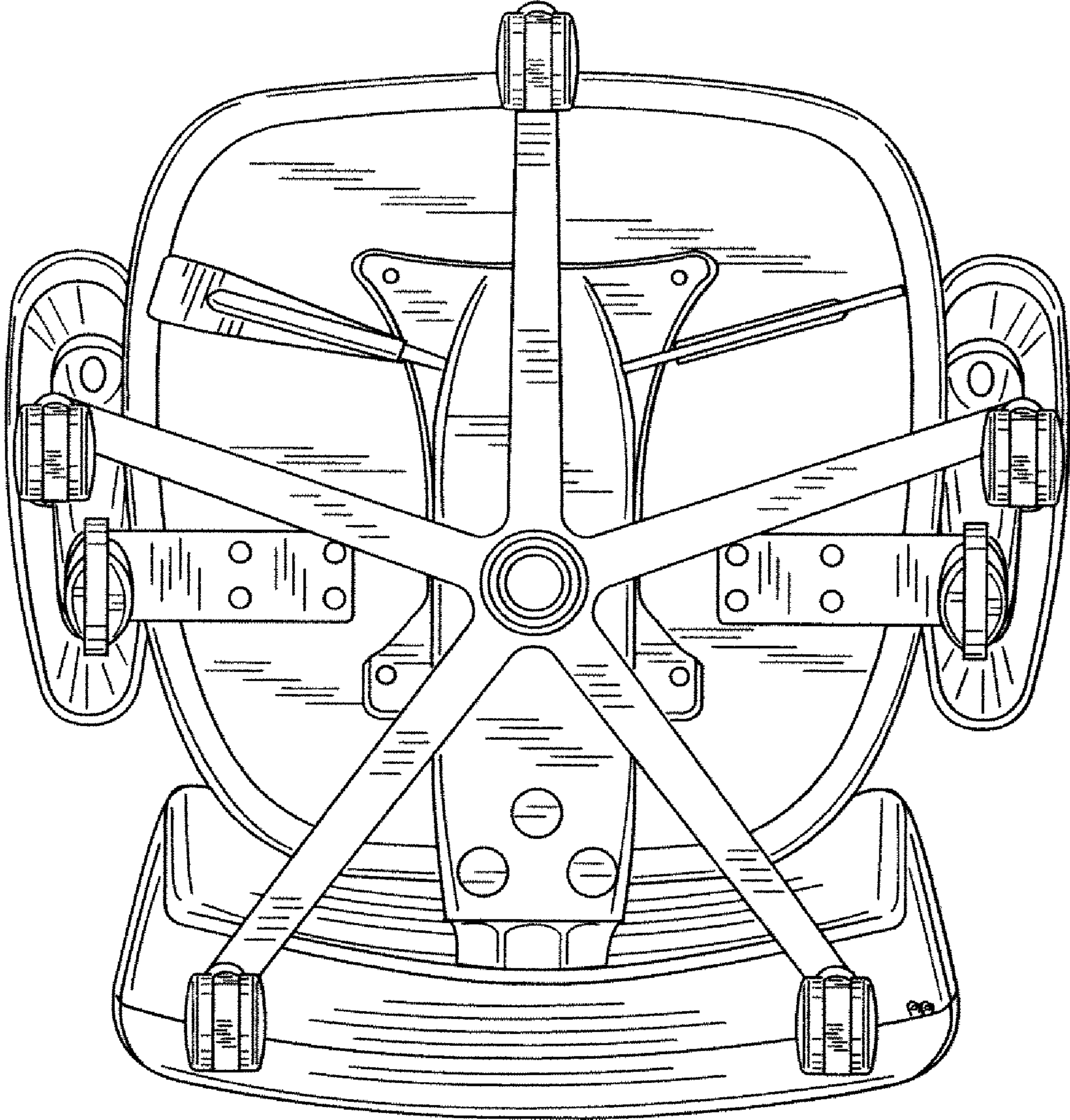


**FIG. 6**



**FIG. 7**





**FIG. 8**