



US00D579680S

(12) **United States Design Patent**
Emert

(10) **Patent No.:** **US D579,680 S**
(45) **Date of Patent:** **** Nov. 4, 2008**

(54) **FOLDABLE STOOL**

(75) Inventor: **Daniel Emert**, Walhain (BE)

(73) Assignee: **Isotronic Mezger KG** (DE)

(**) Term: **14 Years**

(21) Appl. No.: **29/299,549**

(22) Filed: **Dec. 28, 2007**

(30) **Foreign Application Priority Data**

Jun. 28, 2007 (EM) 000748181

(51) **LOC (8) Cl.** **06-01**

(52) **U.S. Cl.** **D6/353**

(58) **Field of Classification Search** D6/349–353,
D6/355, 363, 364, 500–502, 511; 297/16.1,
297/118, 175, 195.1, 423.1, 423.14, 423.39,
297/423.41, 440.1, 440.12, 461, 462; 108/150;
D21/752

See application file for complete search history.

(56) **References Cited**

U.S. PATENT DOCUMENTS

D265,026	S	*	6/1982	Macho et al.	D6/353
4,630,861	A	*	12/1986	Henschel	297/44
D359,863	S	*	7/1995	Marlor	D6/451
D367,563	S	*	3/1996	Murken	D6/353
D460,566	S		7/2002	Henschel et al.		
D531,429	S	*	11/2006	Henschel	D6/480
D553,372	S	*	10/2007	Henschel	D6/353
D554,875	S	*	11/2007	Emert	D6/353

D566,856 S * 4/2008 Eveleth D25/65

* cited by examiner

Primary Examiner—Sandra Snapp

(74) *Attorney, Agent, or Firm*—Stites & Harbison PLLC;
Marvin Petry

(57) **CLAIM**

The ornamental design for a foldable stool, as shown and described.

DESCRIPTION

FIG. 1 is a top front right perspective view of a foldable stool according to my new design, wherein the top rear left perspective view is a mirror image thereof.

FIG. 2 is a front elevational view thereof, wherein the rear elevational view is a mirror image thereof.

FIG. 3 is a right side elevational view thereof, wherein the left side elevational view is a mirror image thereof.

FIG. 4 is a top plan view thereof.

FIG. 5 is a front right bottom perspective view thereof.

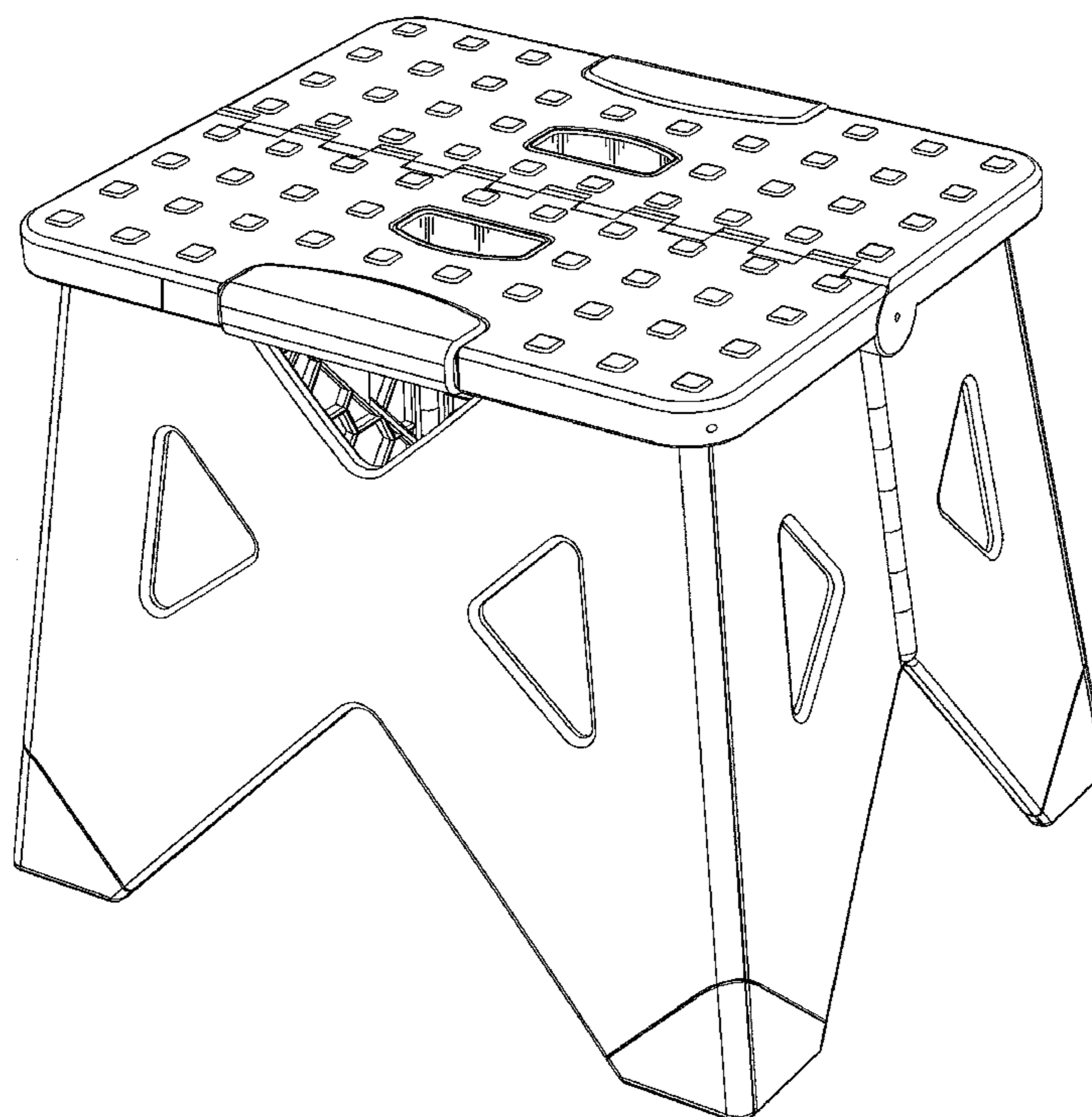
FIG. 6 is a front right perspective view thereof, showing the foldable stool in a folded condition, wherein the rear left perspective view is a mirror image thereof.

FIG. 7 is a front elevational view of FIG. 6, wherein the rear elevational view is a mirror image thereof.

FIG. 8 is a right side elevational view of FIG. 7, wherein the left side elevational view is a mirror image thereof; and,

FIG. 9 is a top plan view of FIG. 7.

1 Claim, 7 Drawing Sheets



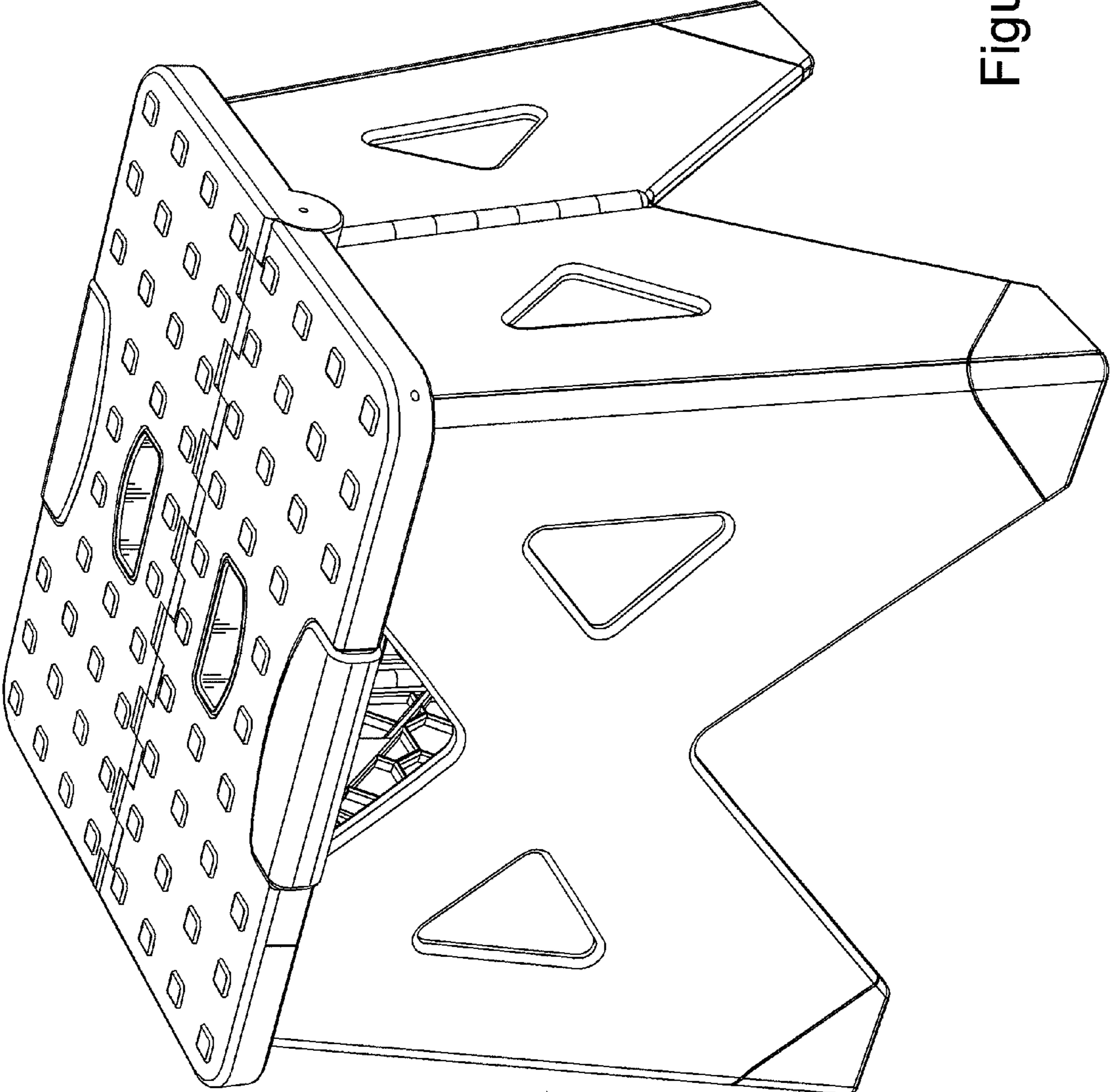


Figure 1

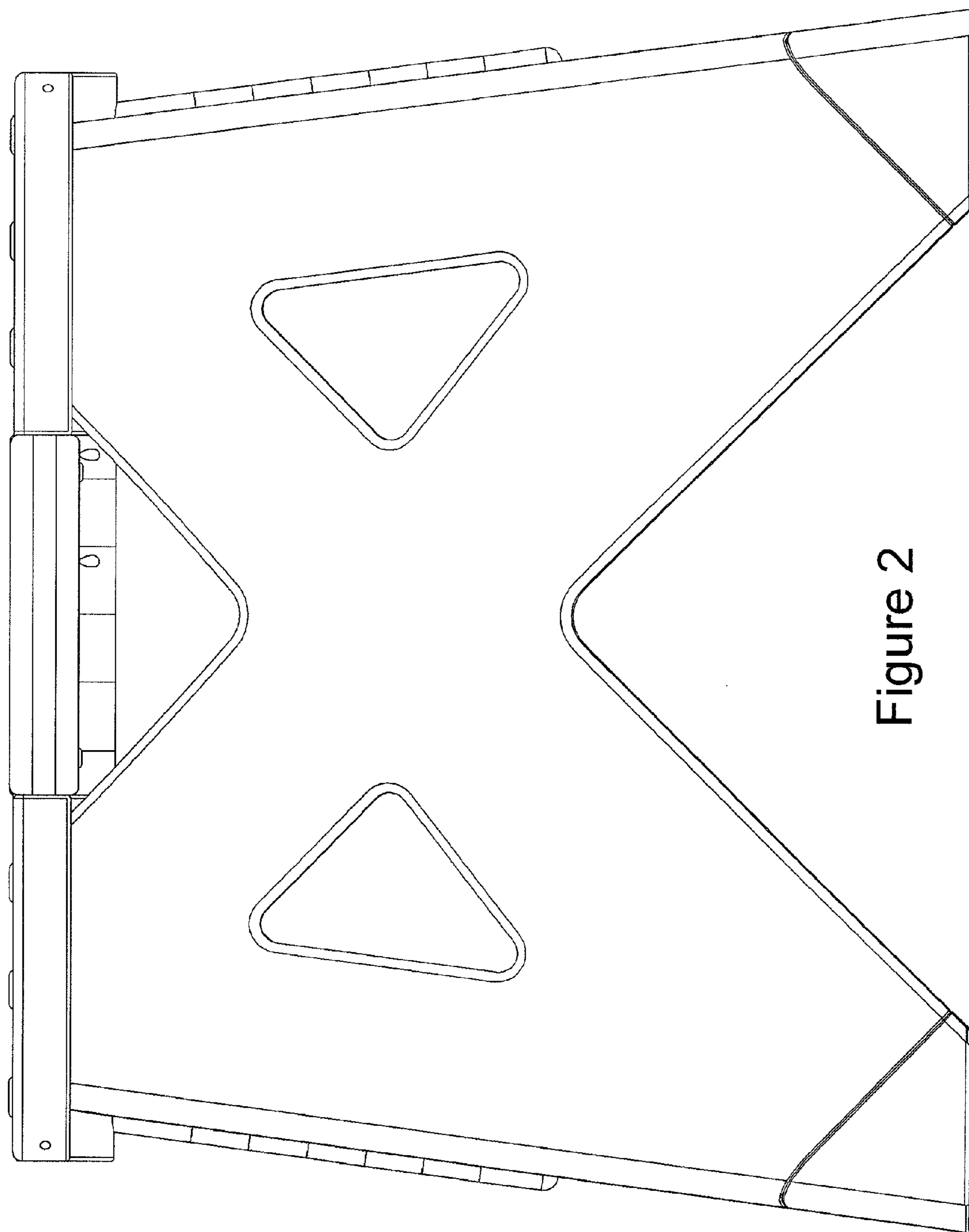


Figure 2

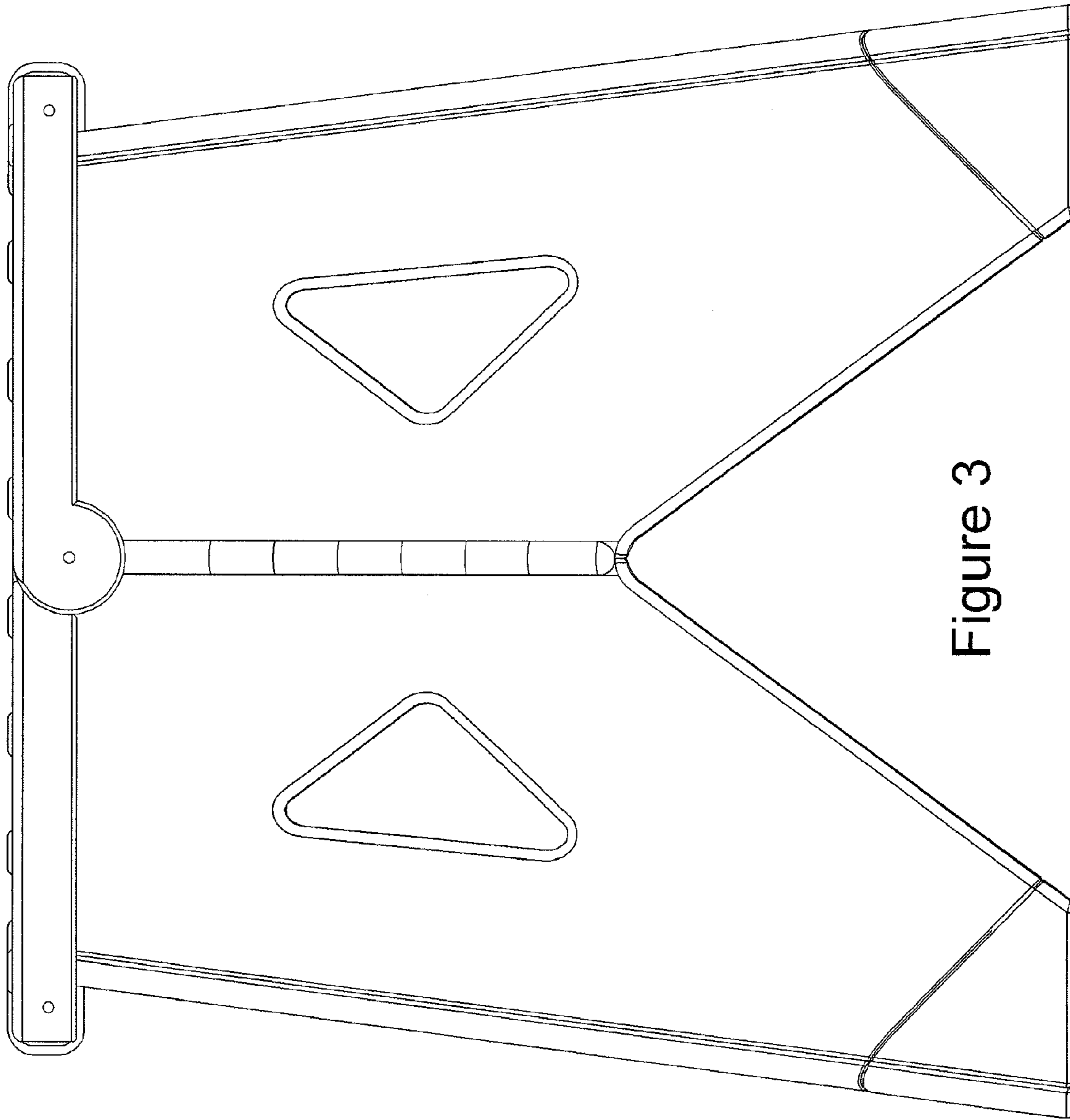


Figure 3

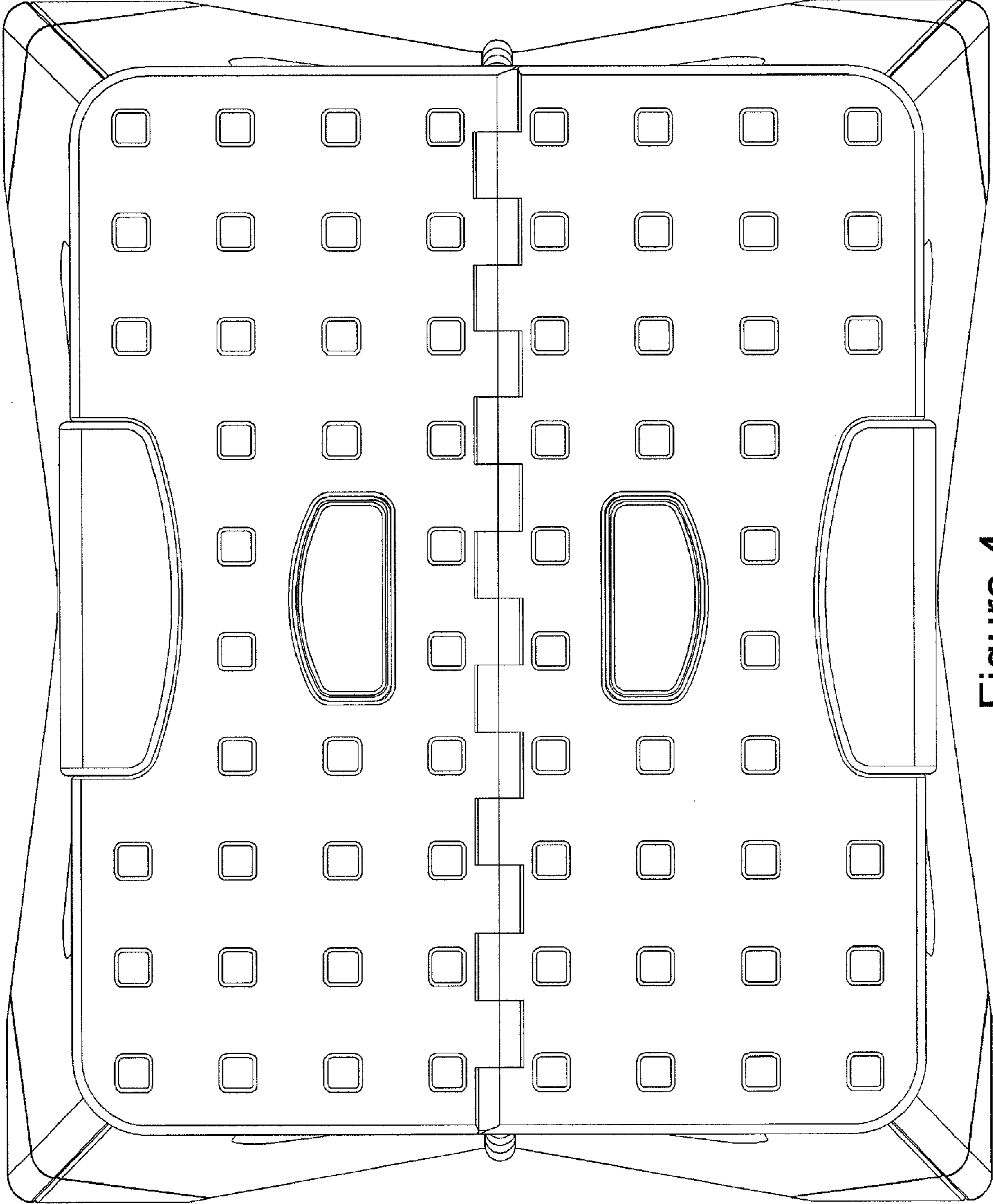


Figure 4

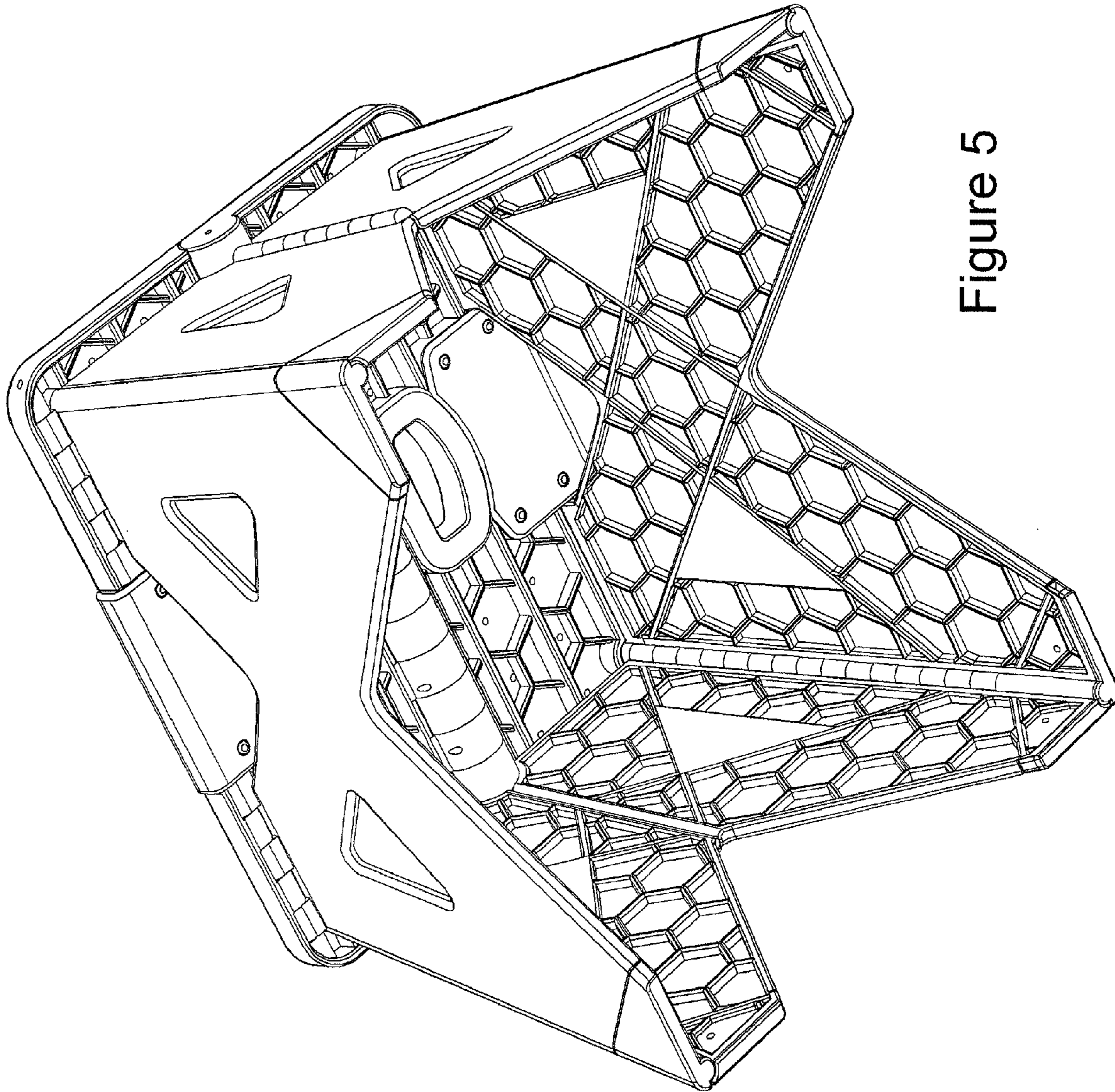


Figure 5

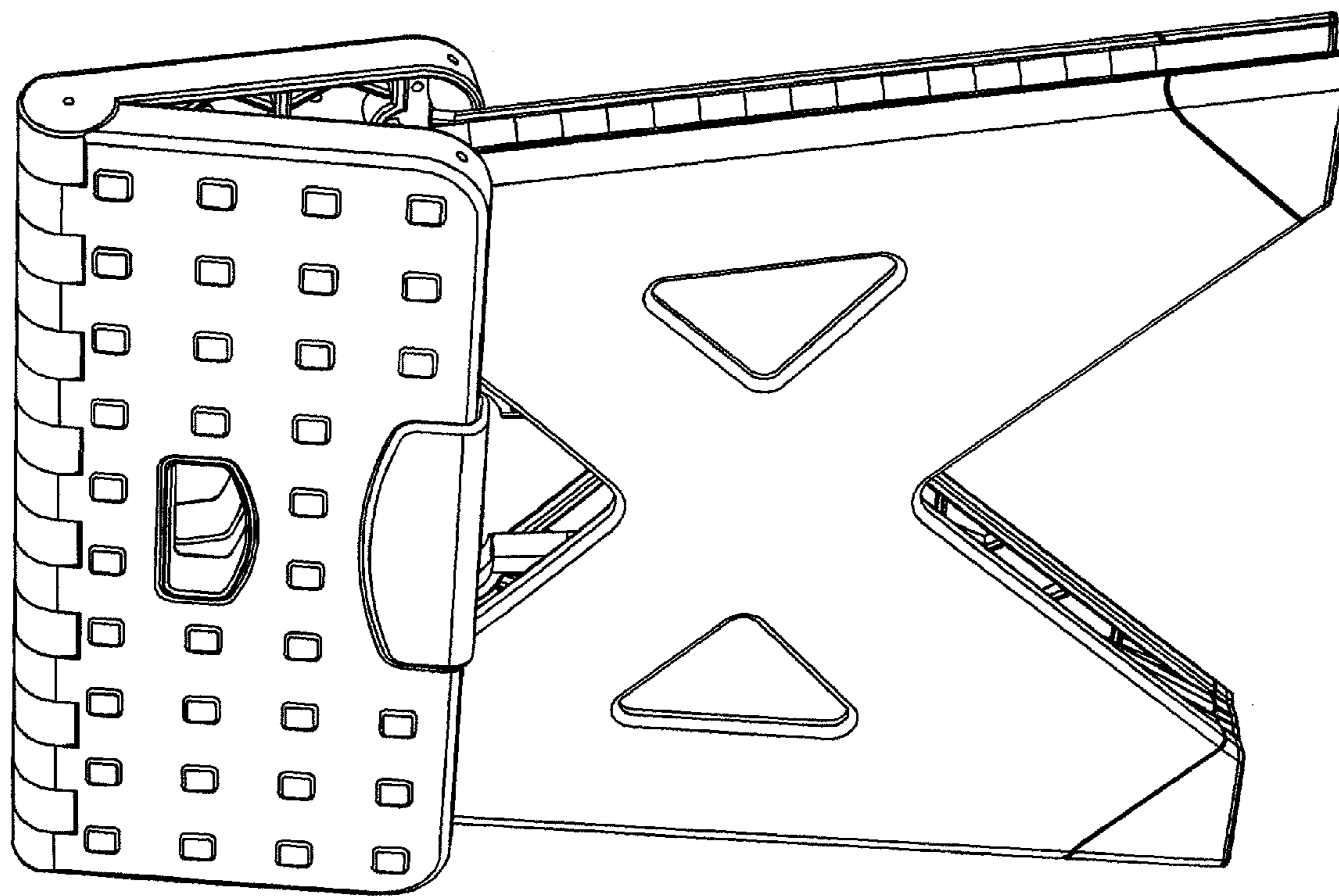


Figure 6

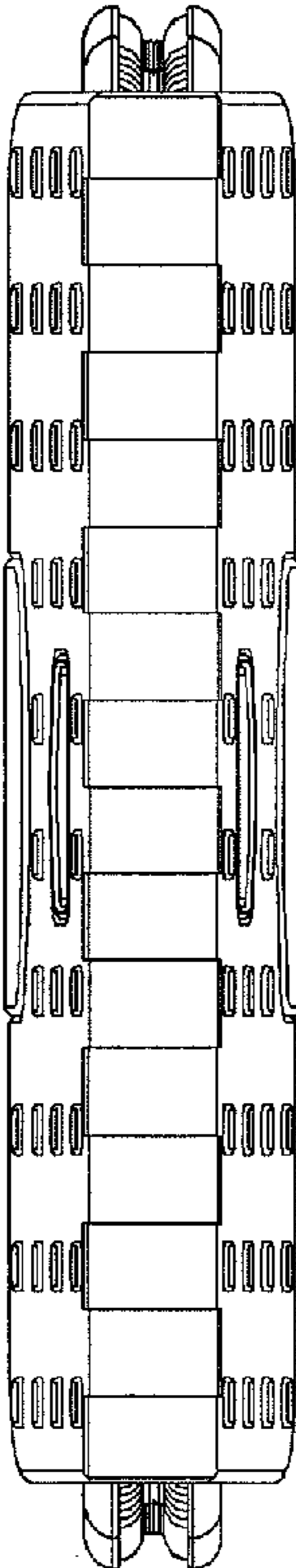


Figure 9

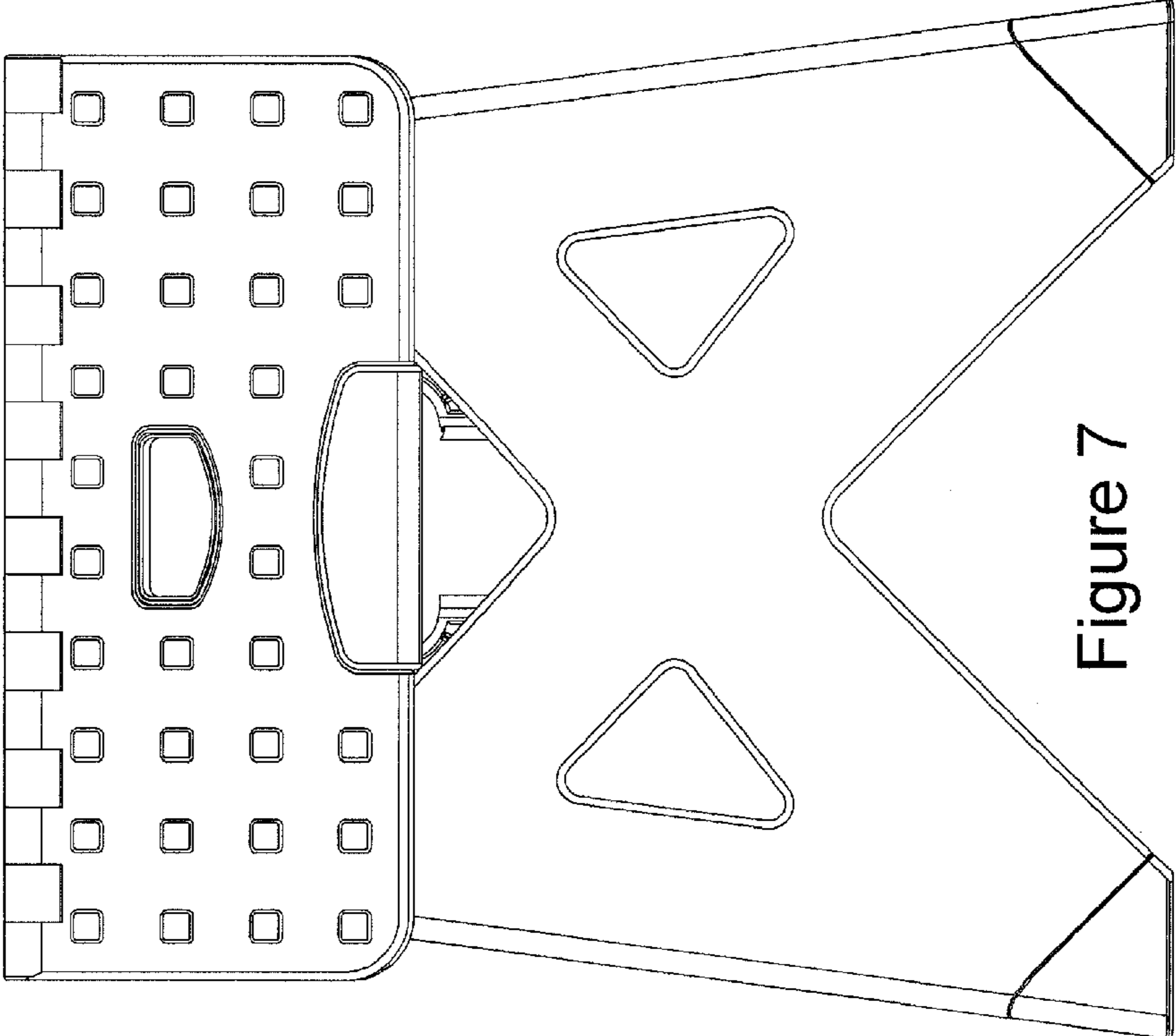


Figure 7

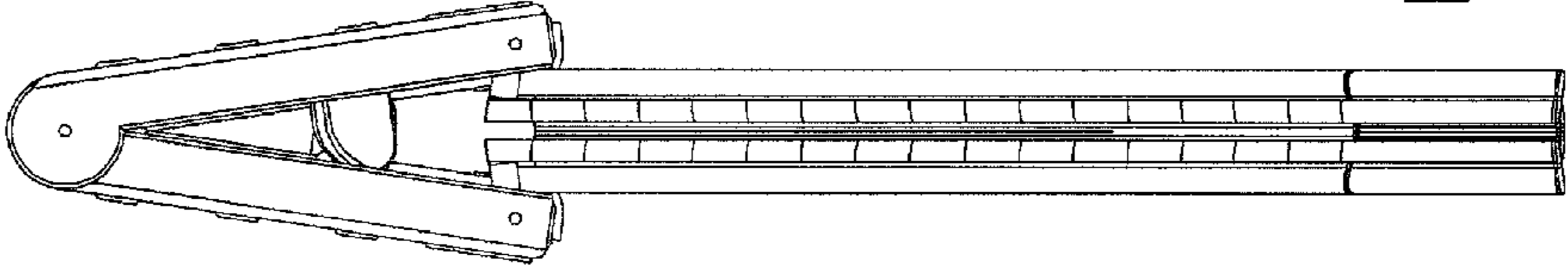


Figure 8