



US00D579677S

(12) **United States Design Patent**  
**Zhou et al.**

(10) **Patent No.:** **US D579,677 S**  
(45) **Date of Patent:** **\*\* Nov. 4, 2008**

(54) **BAR STOOL**

(76) Inventors: **Jianping Zhou**, c/o Changshu Tongrun, New Long Teng Industry Area, Changshu Economy Development Zone, Changshu, Jiangsu Province (CN); **Xiaodi Qian**, c/o Changshu Tongrun, New Long Teng Industry Area, Changshu Economy Development Zone, Changshu, Jiangsu Province (CN); **Jun Wang**, c/o Changshu Tongrun, New Long Teng Industry Area, Changshu Economy Development Zone, Changshu, Jiangsu Province (CN)

(\*\*) Term: **14 Years**

(21) Appl. No.: **29/283,158**

(22) Filed: **Aug. 7, 2007**

(51) **LOC (8) Cl.** ..... **06-01**

(52) **U.S. Cl.** ..... **D6/349**

(58) **Field of Classification Search** ..... D6/349-353, D6/355, 363, 364, 500-502, 511; 297/16.1, 297/118, 175, 195.1, 423.1, 423.14, 423.39, 297/423.41, 440.1, 440.12, 461, 462; 108/150  
See application file for complete search history.

(56) **References Cited**

**U.S. PATENT DOCUMENTS**

D156,463 S \* 12/1949 Rita ..... D6/352  
D531,419 S \* 11/2006 Whiteside et al. .... D6/352

\* cited by examiner

*Primary Examiner*—Sandra Snapp  
(74) *Attorney, Agent, or Firm*—Ladas & Parry, LLP

(57) **CLAIM**

The ornamental design for the bar stool, as shown and described.

**DESCRIPTION**

FIG. 1 is a perspective view of a first embodiment of a bar stool showing our new design;

FIG. 2 is a top plan view of the first embodiment;

FIG. 3 is a bottom view of the first embodiment;

FIG. 4 is a front view of the first embodiment;

FIG. 5 is a rear view of the first embodiment;

FIG. 6 is a right side view of the first embodiment;

FIG. 7 is a left side view of the first embodiment;

FIG. 8 is a perspective view of a second embodiment of a bar stool showing our new design;

FIG. 9 is a top plan view of the second embodiment;

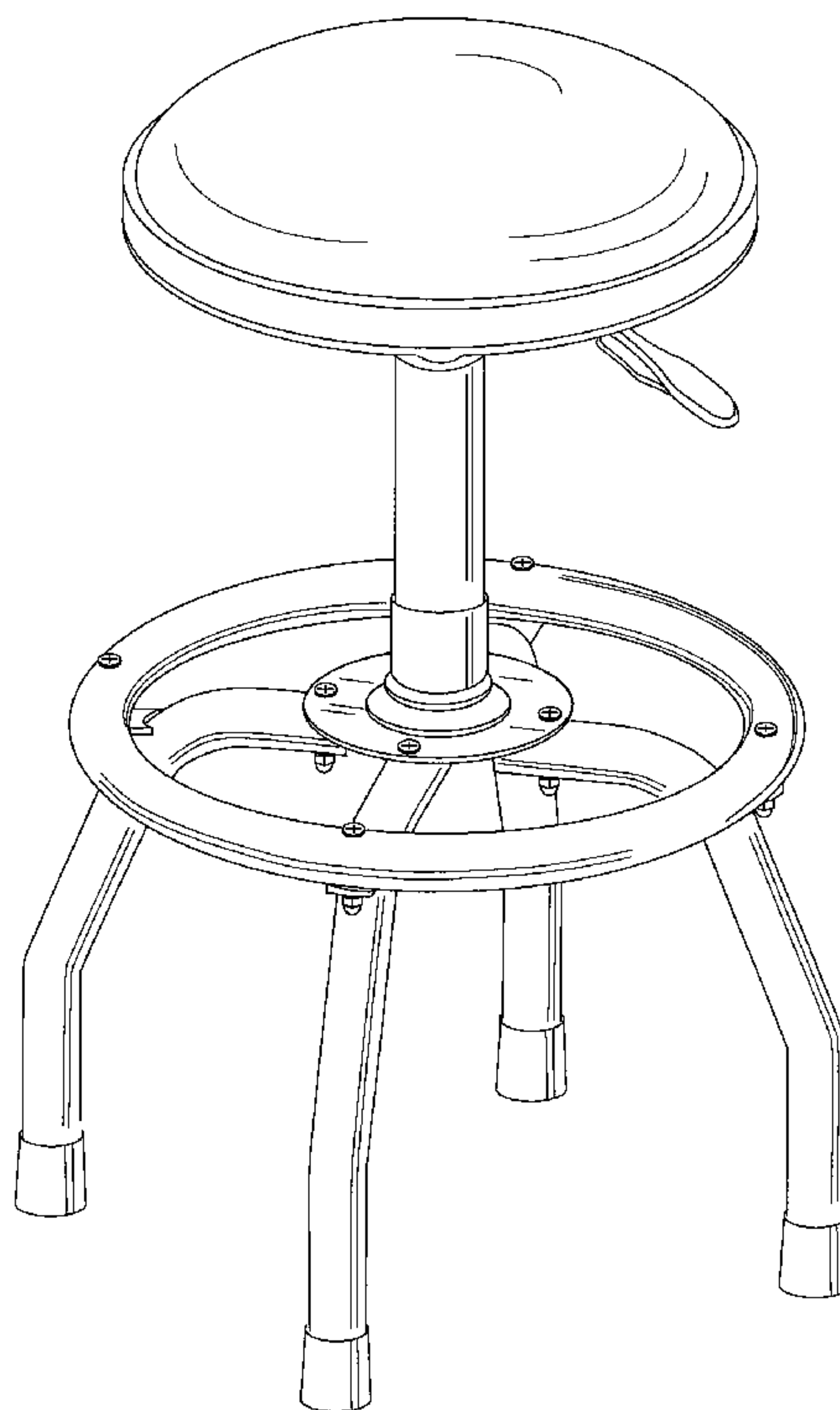
FIG. 10 is a front view of the second embodiment;

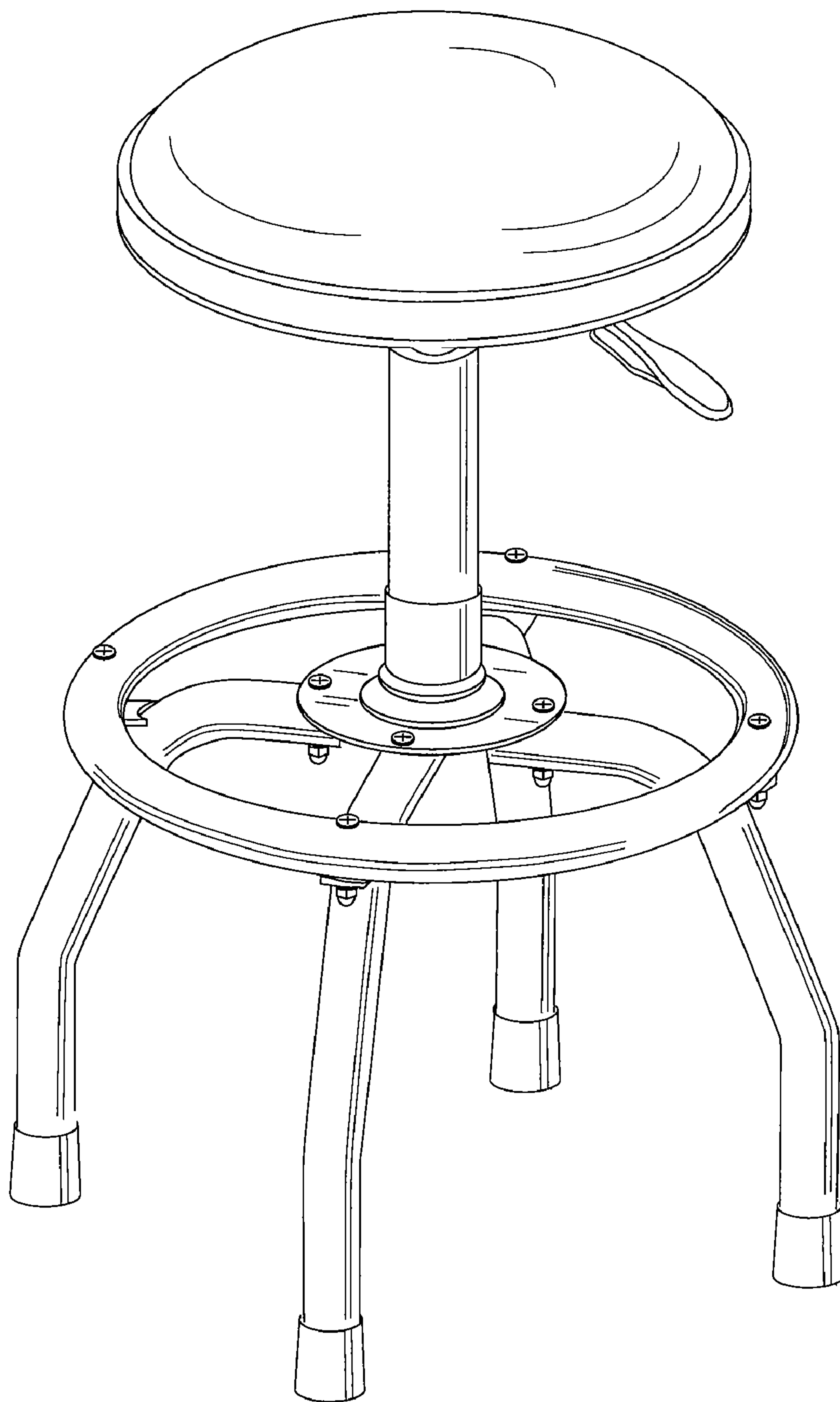
FIG. 11 is a rear view of the second embodiment;

FIG. 12 is a right side view of the second embodiment; and,

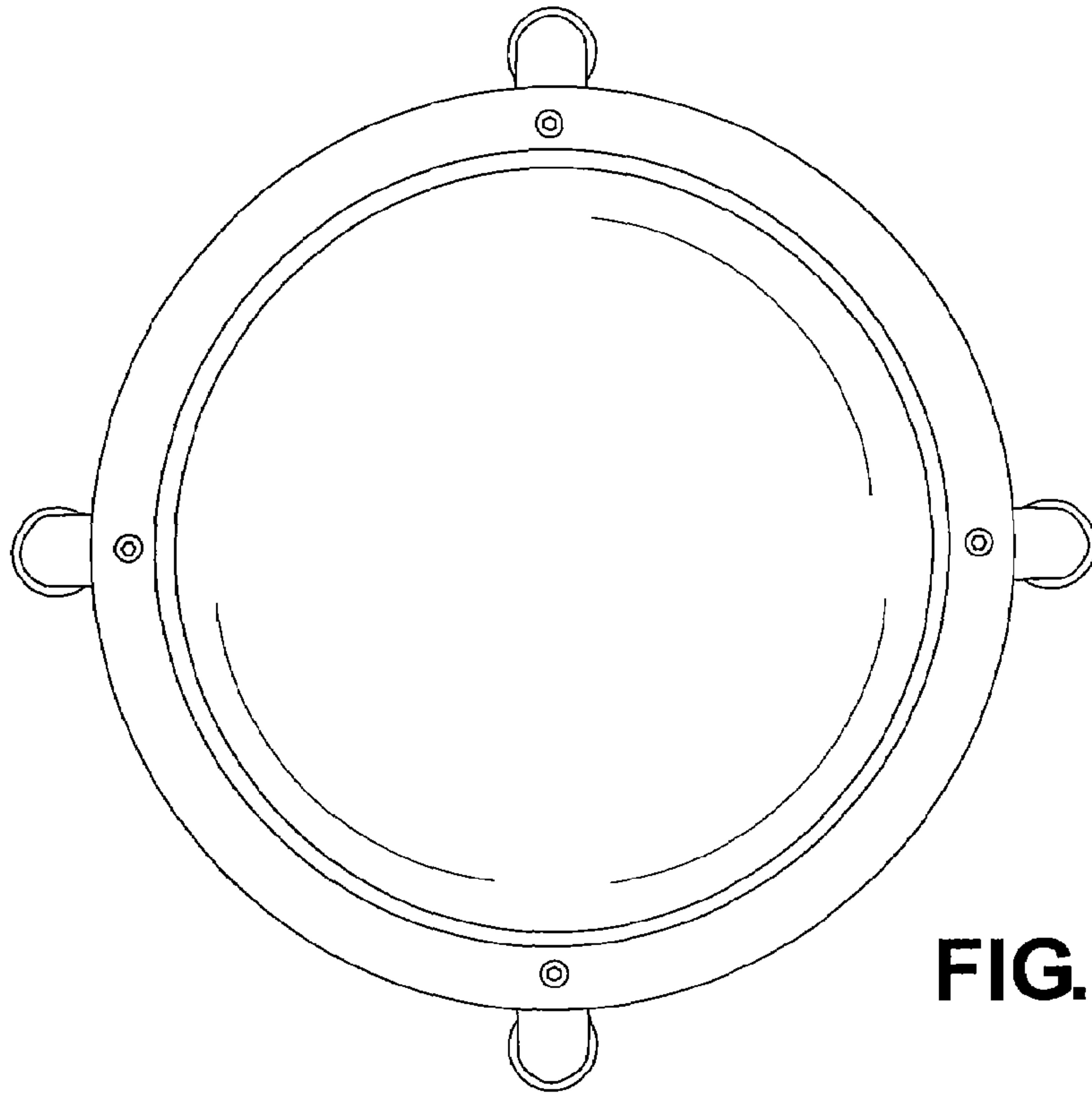
FIG. 13 is a left side view of the second embodiment.

**1 Claim, 12 Drawing Sheets**

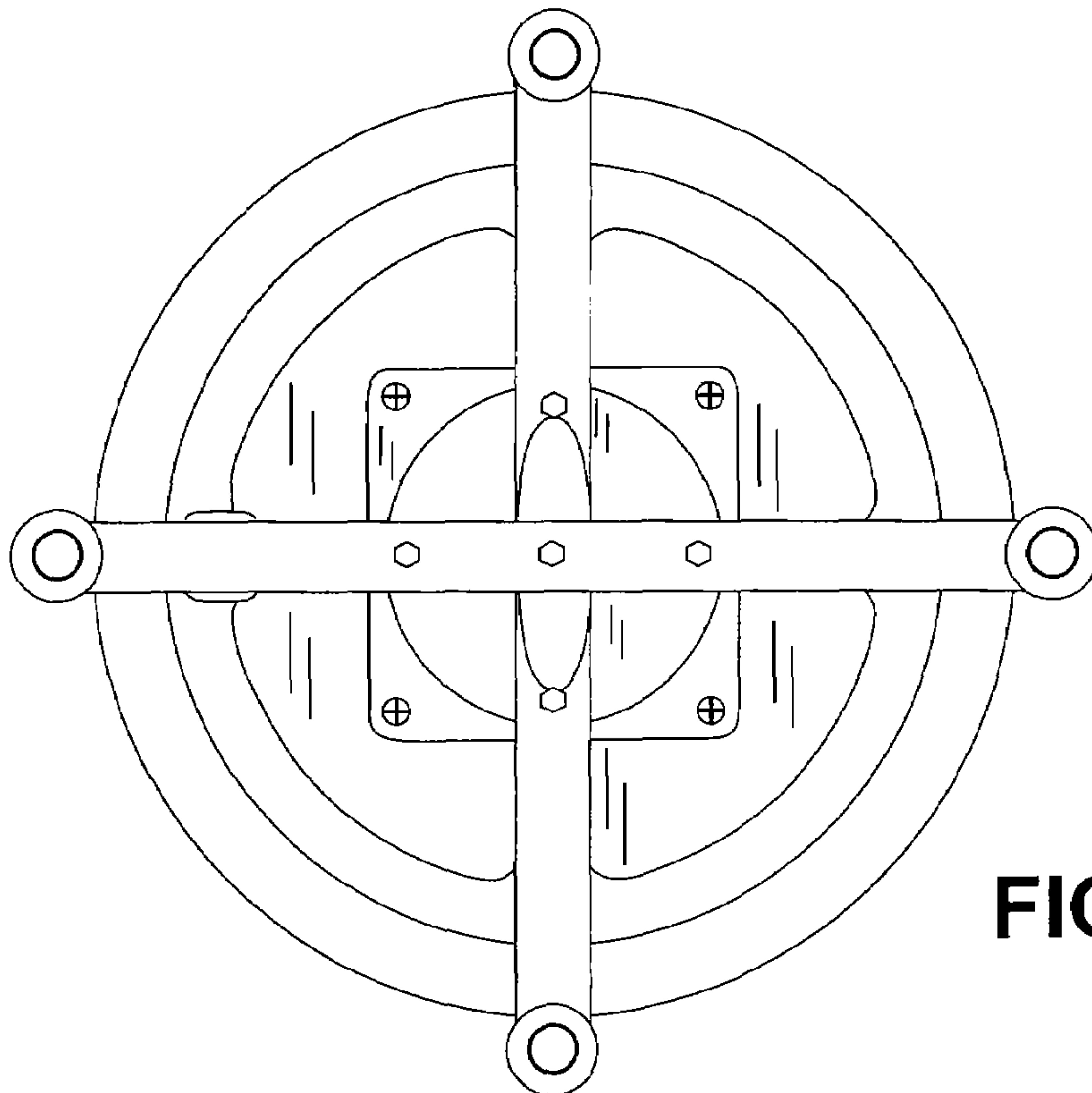




**FIG. 1**



**FIG. 2**



**FIG. 3**

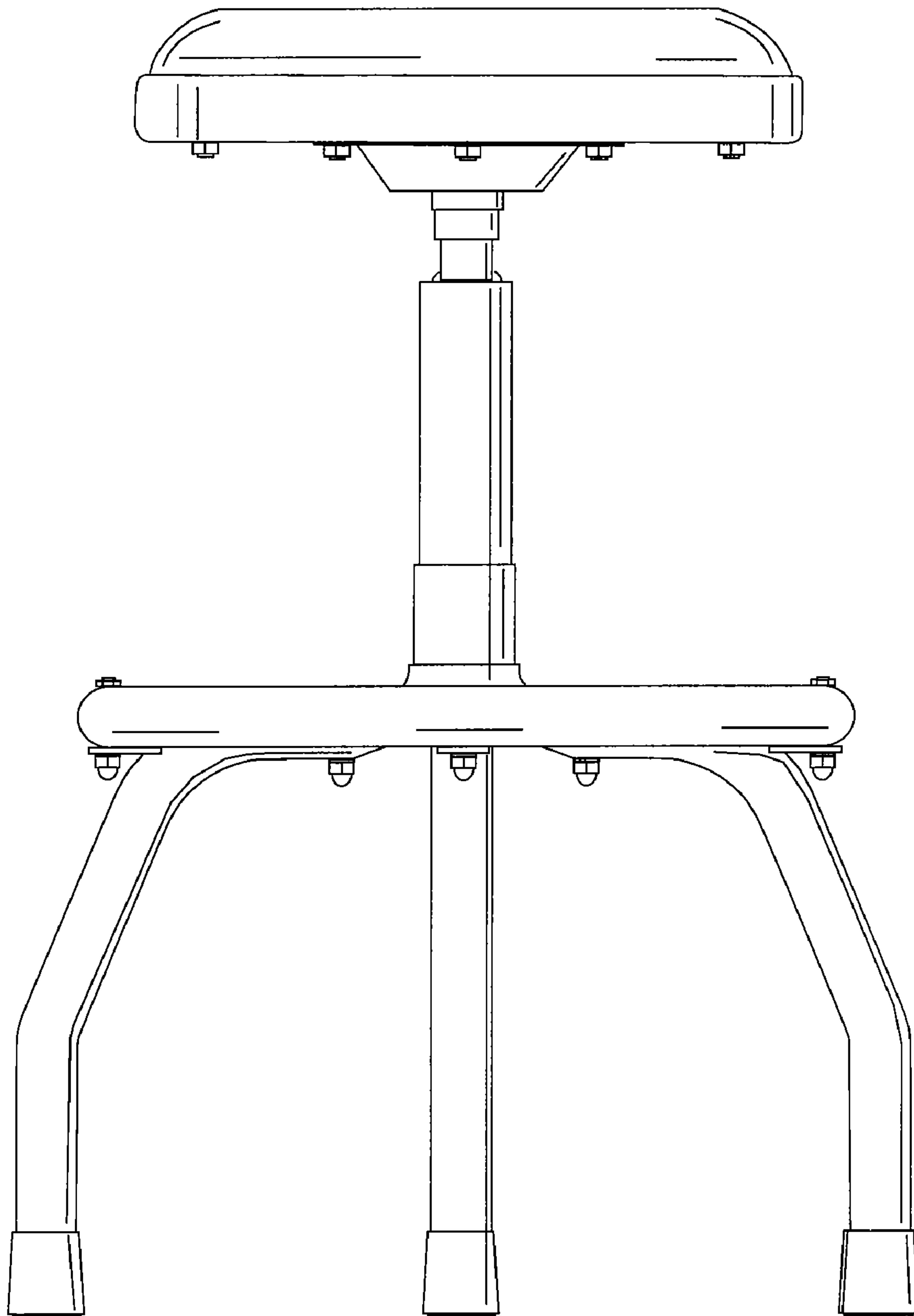
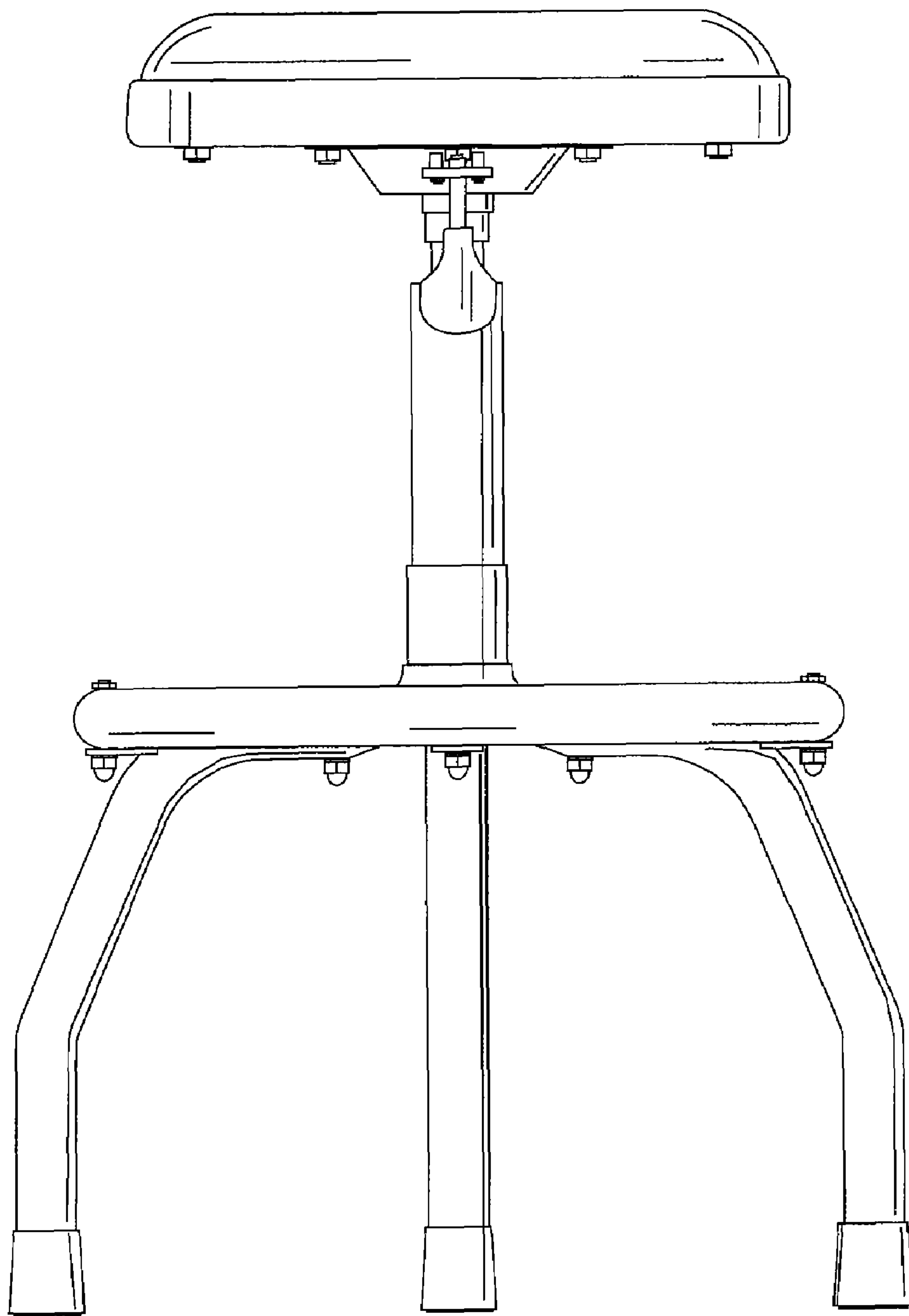


FIG. 4



**FIG. 5**

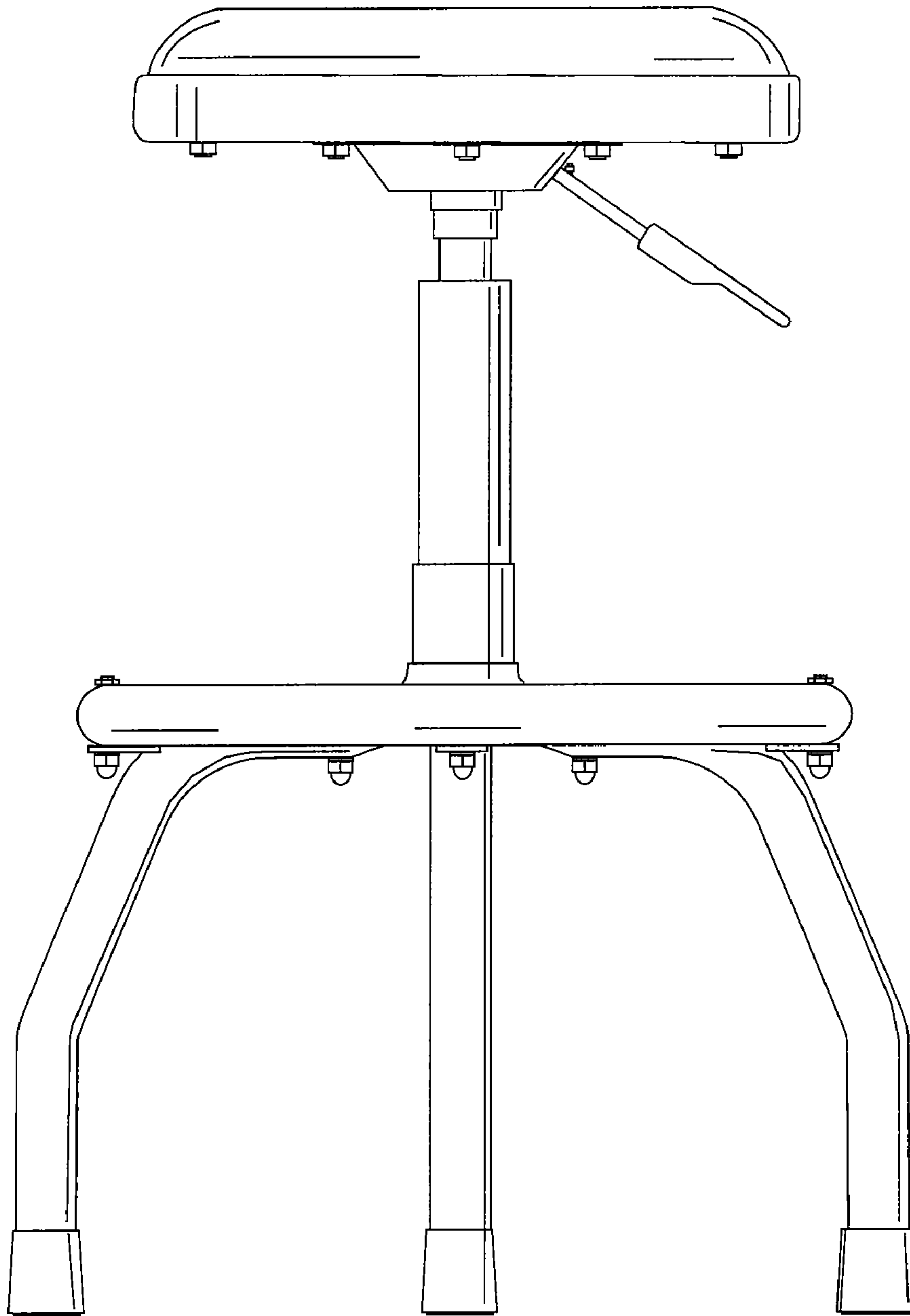


FIG. 6

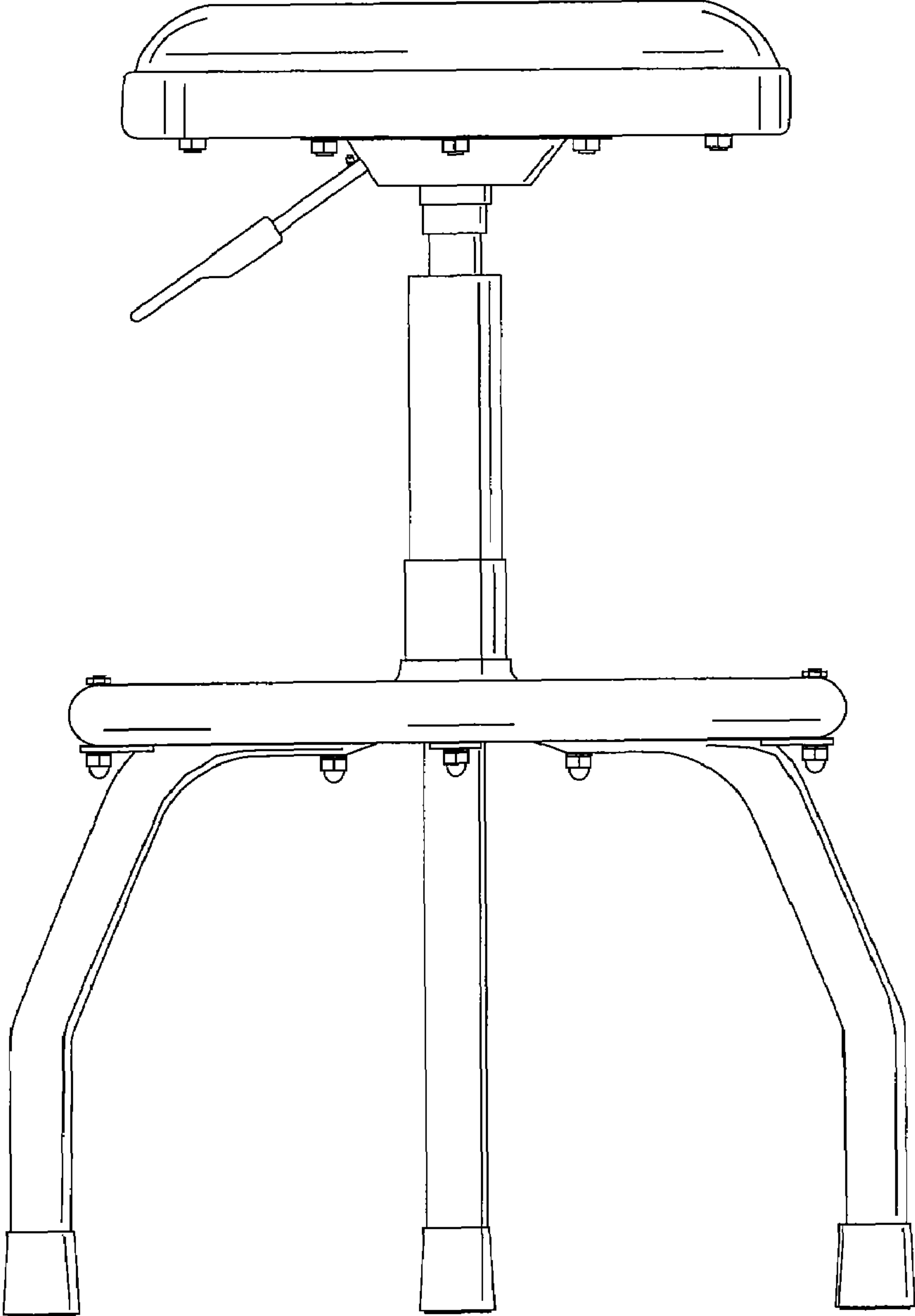
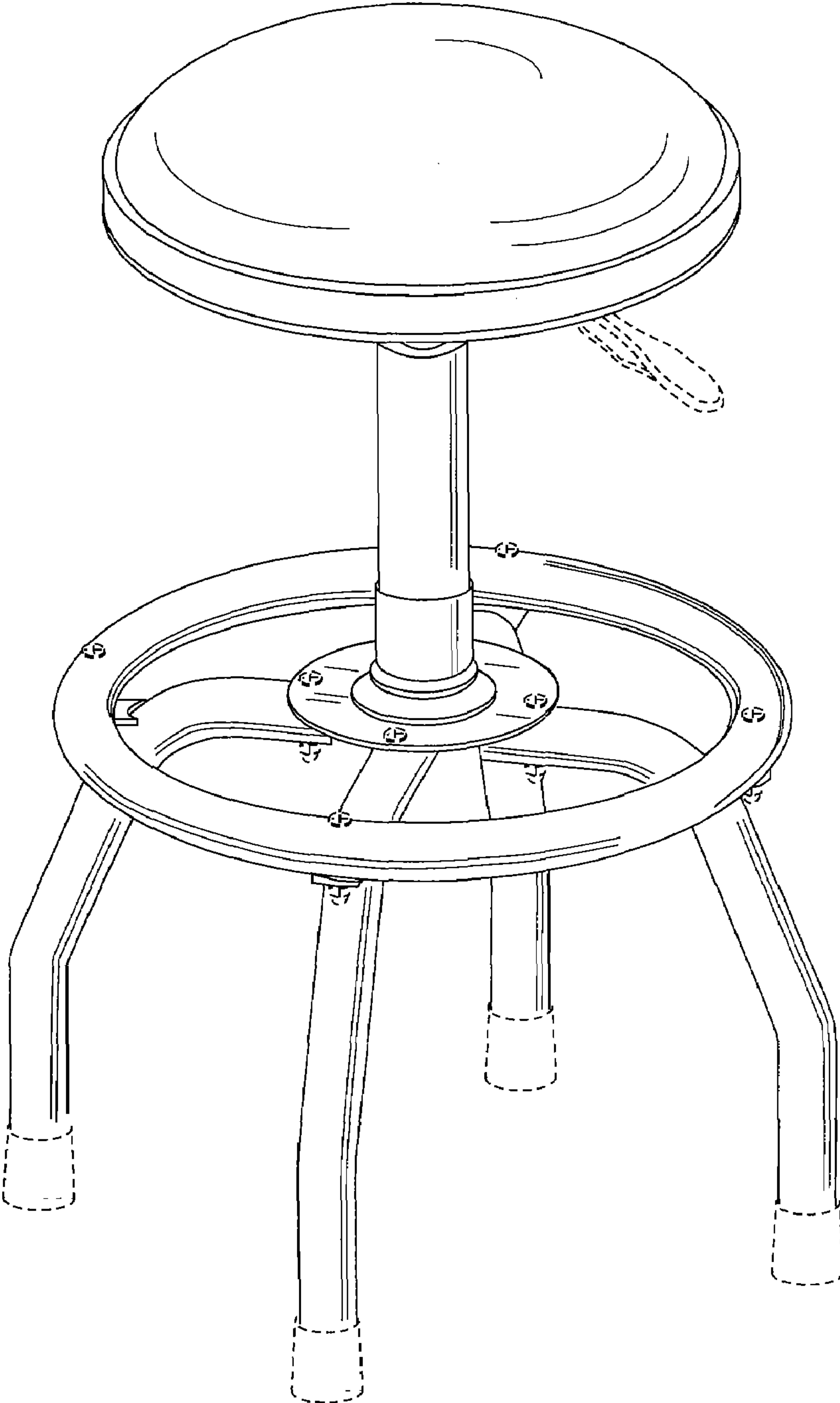


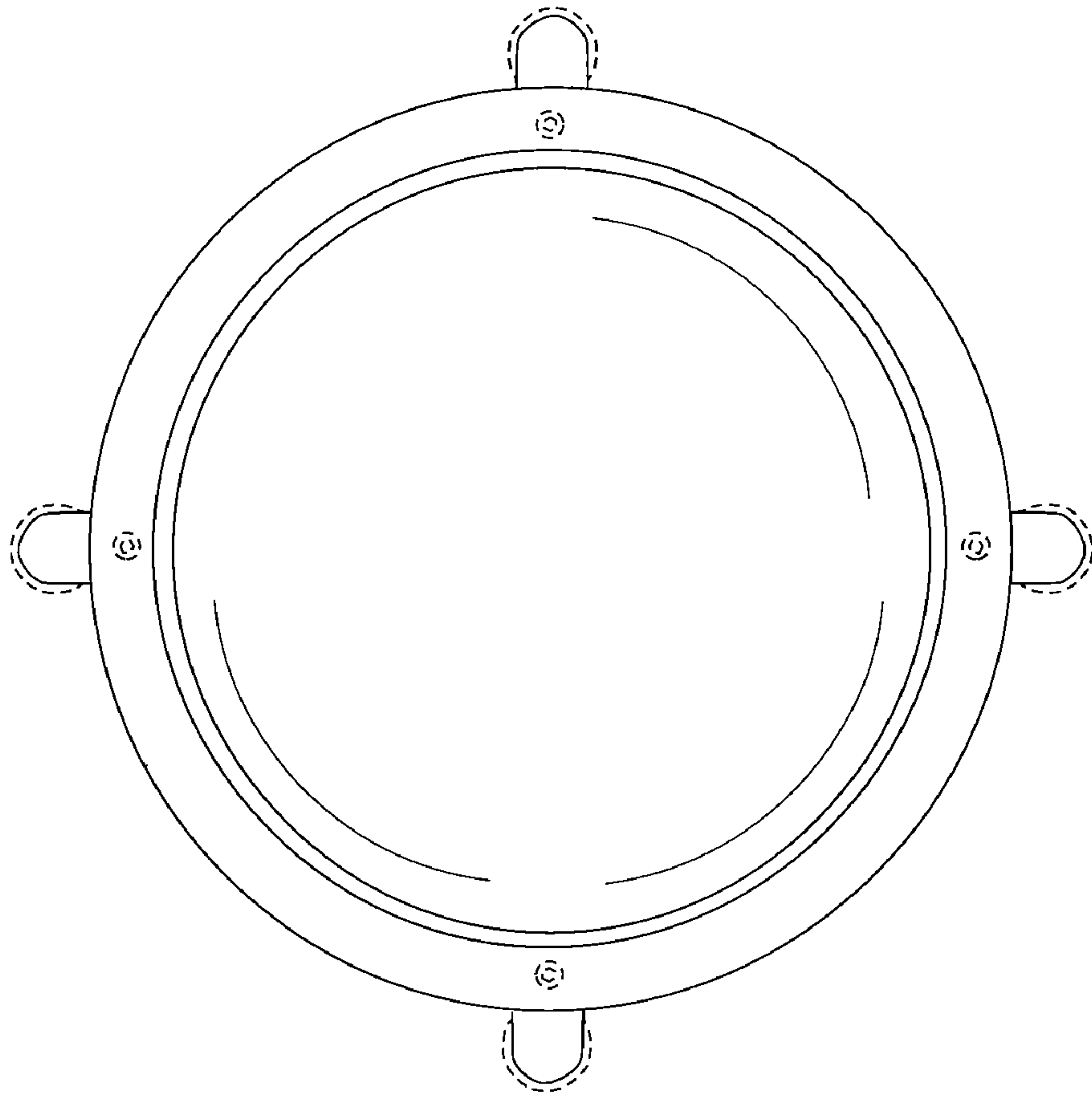
FIG. 7



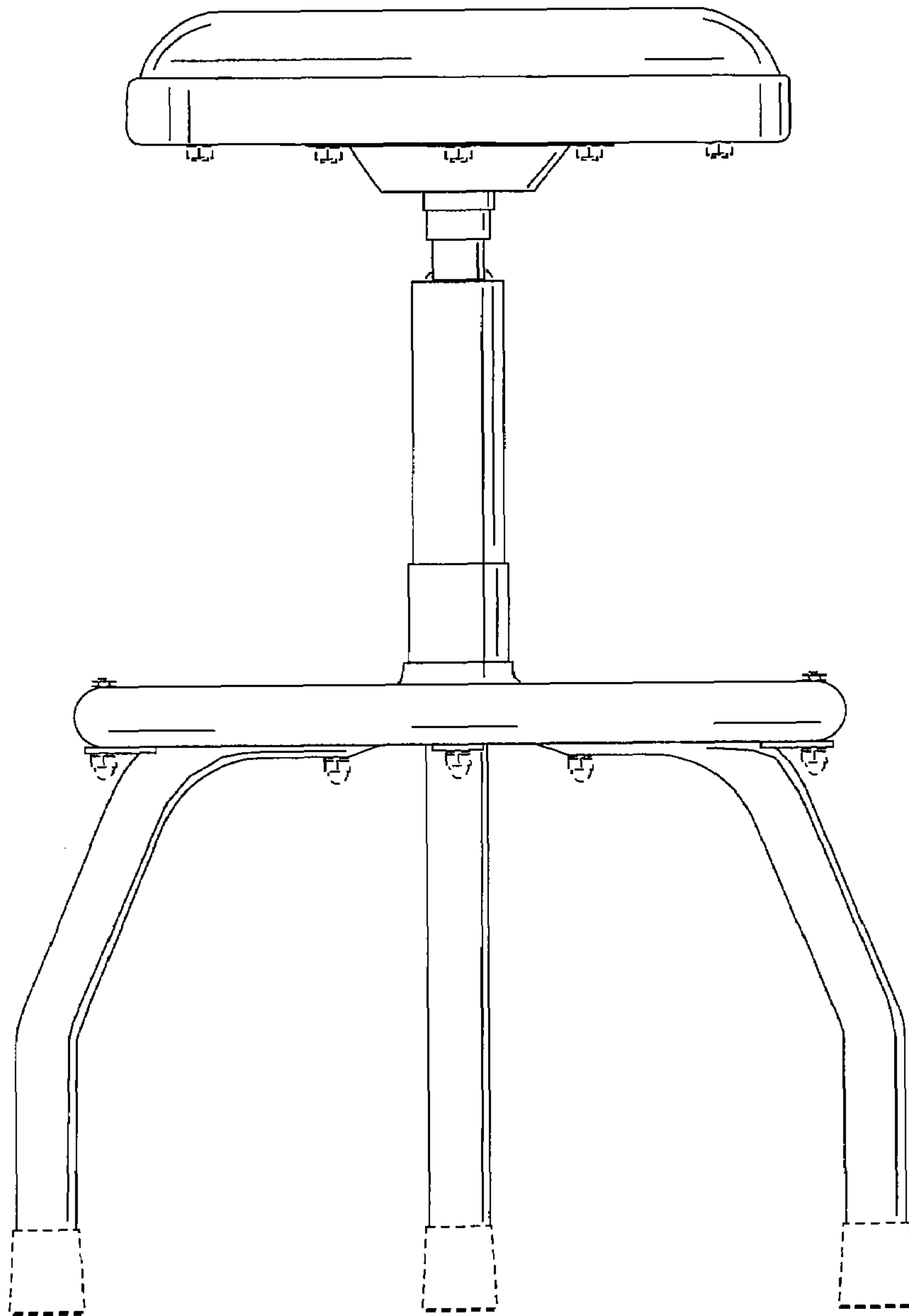


**FIG. 8**





**FIG. 9**



**FIG. 10**

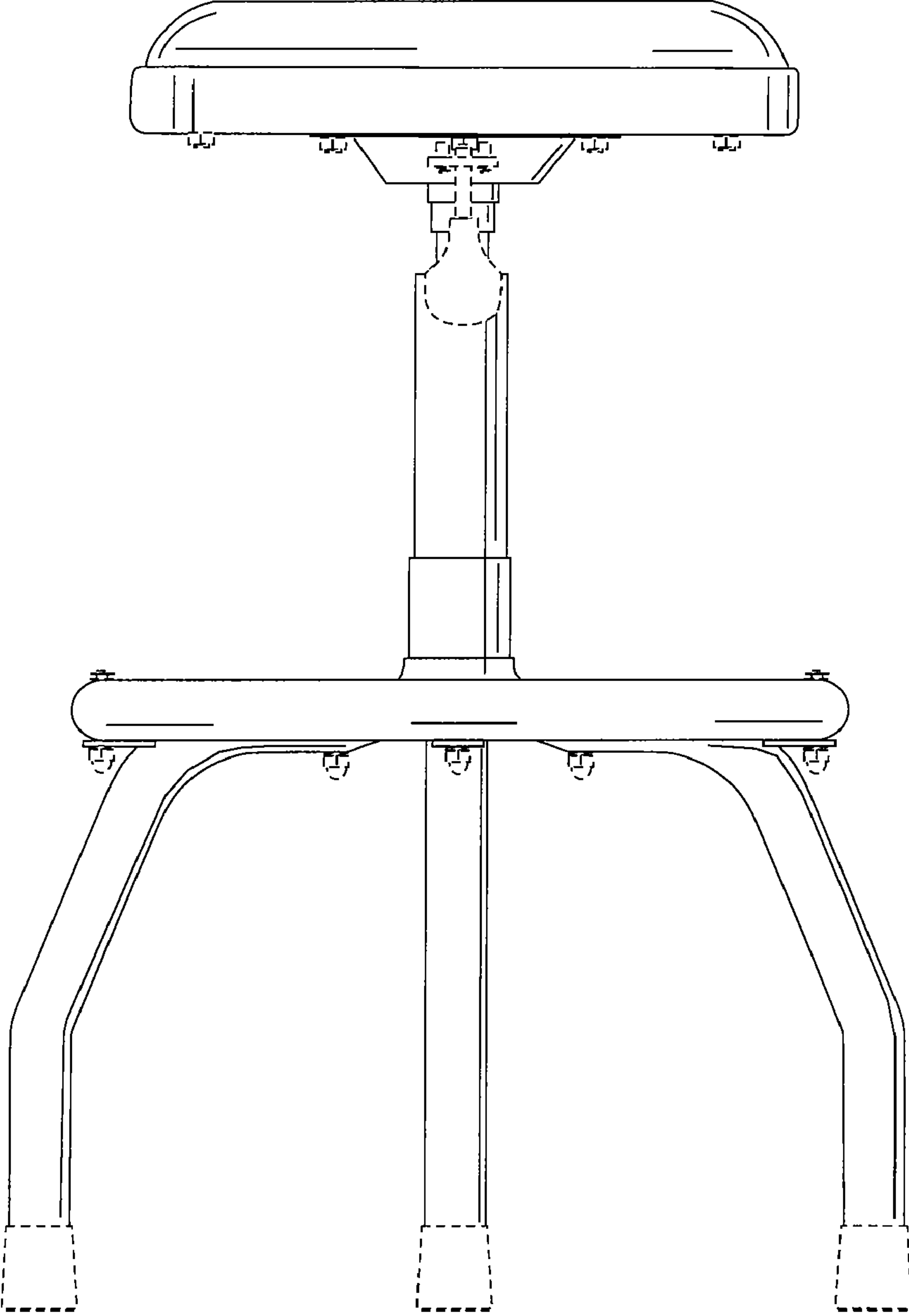


FIG. 11

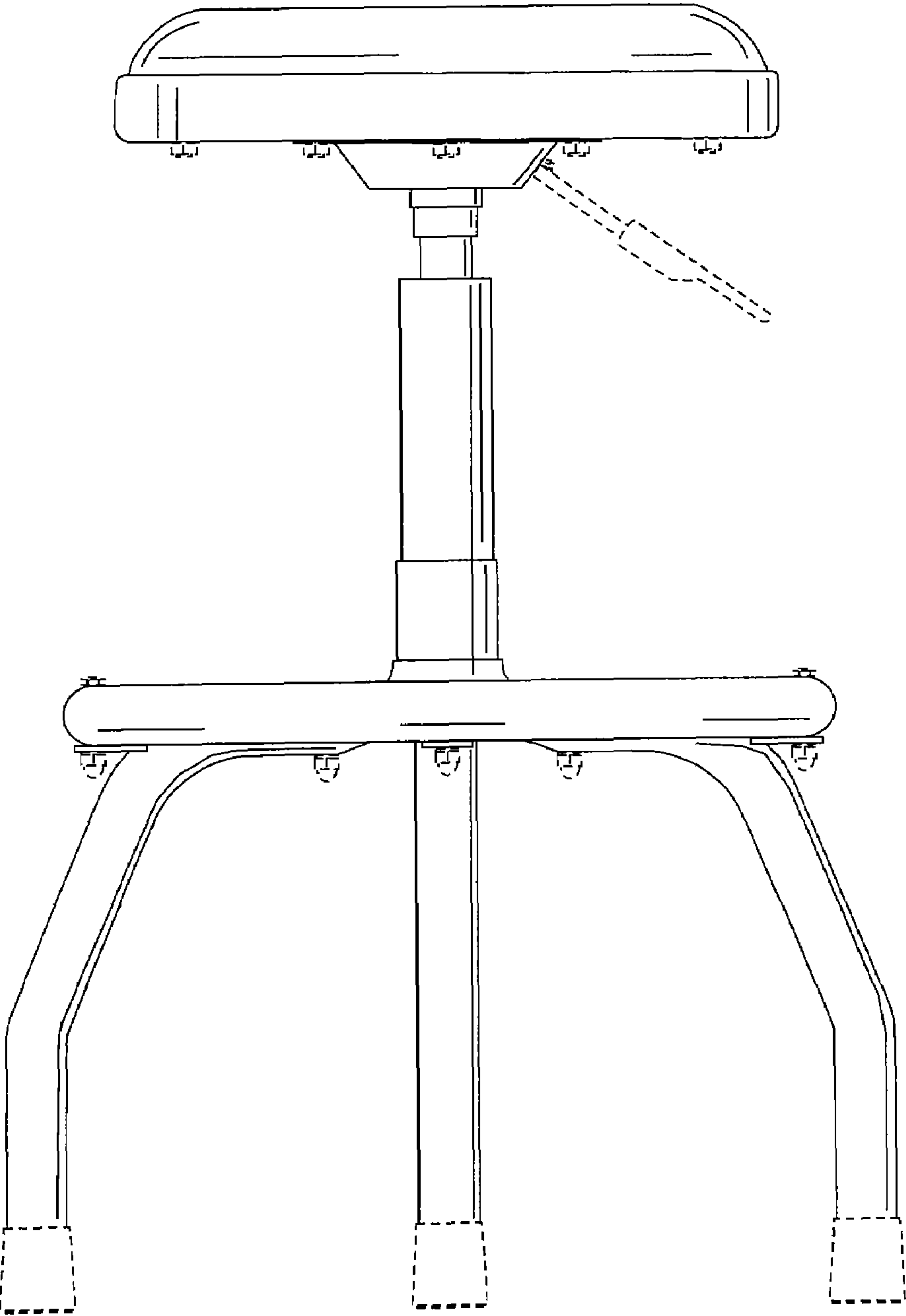
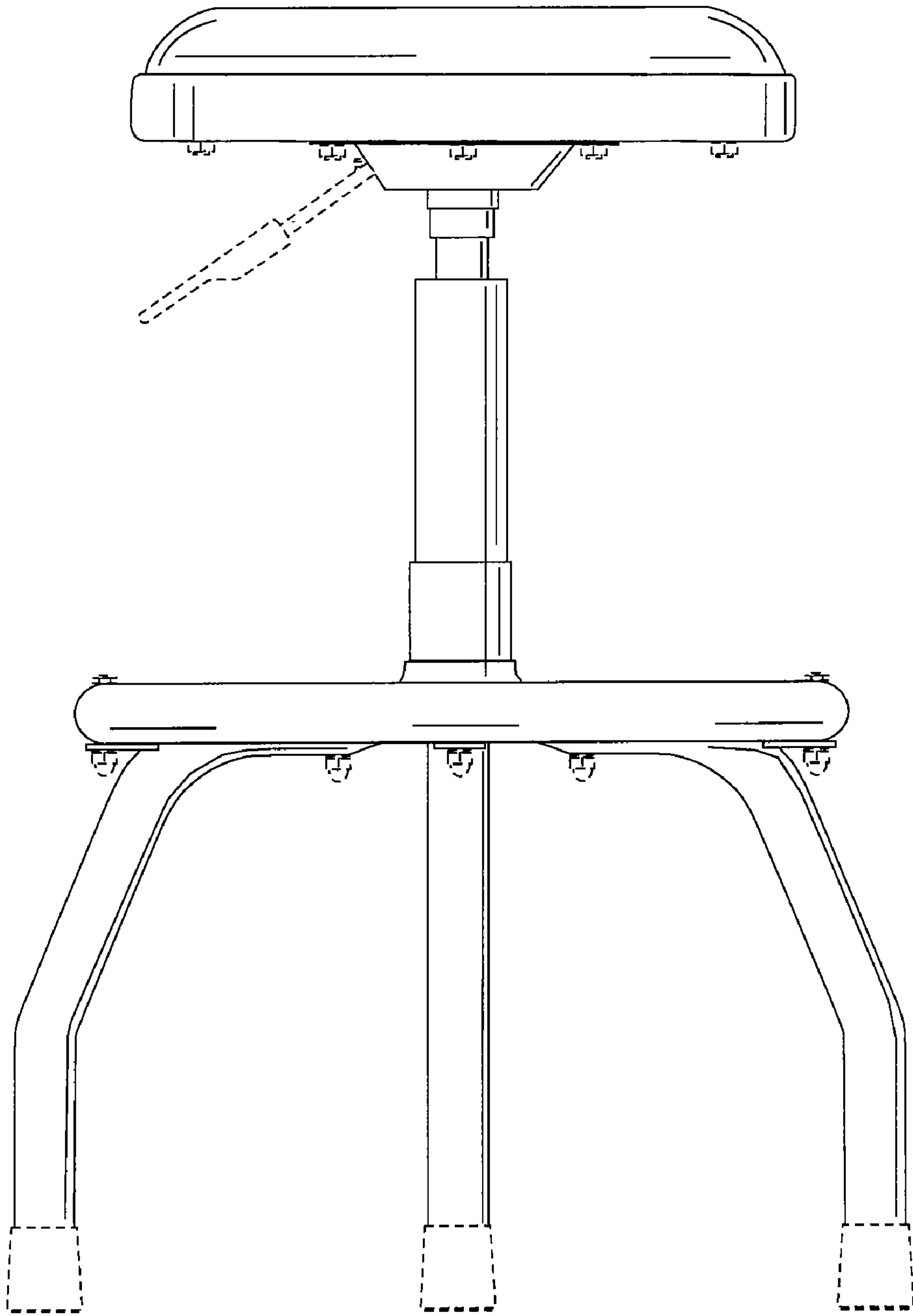


FIG. 12



**FIG. 13**