



US00D579676S

(12) **United States Design Patent**  
**Rheault et al.**

(10) **Patent No.:** **US D579,676 S**

(45) **Date of Patent:** **\*\* Nov. 4, 2008**

(54) **STOOL**

(75) Inventors: **Alan E. Rheault**, Grand Rapids, MI (US); **Matthew Heinig**, Beaverton, OR (US)

(73) Assignee: **Steelcase Development Corporation**, Grand Rapids, MI (US)

(\*\*) Term: **14 Years**

(21) Appl. No.: **29/280,574**

(22) Filed: **May 31, 2007**

(51) **LOC (8) Cl.** ..... **06-01**

(52) **U.S. Cl.** ..... **D6/349**

(58) **Field of Classification Search** ..... D6/349-353, D6/355, 363, 364, 500-502, 511; 297/16.1, 297/118, 175, 195.1, 423.1, 423.14, 423.39, 297/423.41, 440.1, 440.12, 461, 462; 108/150  
See application file for complete search history.

(56) **References Cited**

**U.S. PATENT DOCUMENTS**

D111,608 S	10/1938	Kipp	
D126,270 S	4/1941	Panzer	
D132,105 S *	4/1942	Peterson	D6/352
D141,379 S *	5/1945	Panzer	D6/352
D155,272 S	9/1949	Eames	
2,525,670 A *	10/1950	Hamilton	5/402
2,528,950 A *	11/1950	Engstrom	5/402
D162,854 S	4/1951	Lumley	
D174,695 S *	5/1955	Kipp	D6/352
2,866,497 A	12/1958	Struthers	
D232,880 S	9/1974	Samhammer	
D294,434 S	3/1988	Zakharov	
4,998,774 A	3/1991	Huff et al.	
D396,565 S *	8/1998	Gager et al.	D6/349
7,032,965 B2	4/2006	Howell et al.	
D535,828 S *	1/2007	Gasca Burges	D6/349

\* cited by examiner

*Primary Examiner*—Sandra Snapp

(74) *Attorney, Agent, or Firm*—Quarles & Brady, LLP

(57) **CLAIM**

The ornamental design for a stool, as shown and described.

**DESCRIPTION**

FIG. 1 is a top, front, right perspective view of a first embodiment of a stool embodying our new design;

FIG. 2 is a front elevational view thereof, the rear elevational view, the right side elevational view and the left side elevational view being identical to the front elevational view of FIG. 2;

FIG. 3 is a top plan view thereof;

FIG. 4 is a bottom plan view thereof;

FIG. 5 is a top, front, right perspective view of a second embodiment of a stool embodying our new design, the top plan view thereof being identical to the view of FIG. 2, and the bottom plan view thereof being identical to the view of FIG. 4;

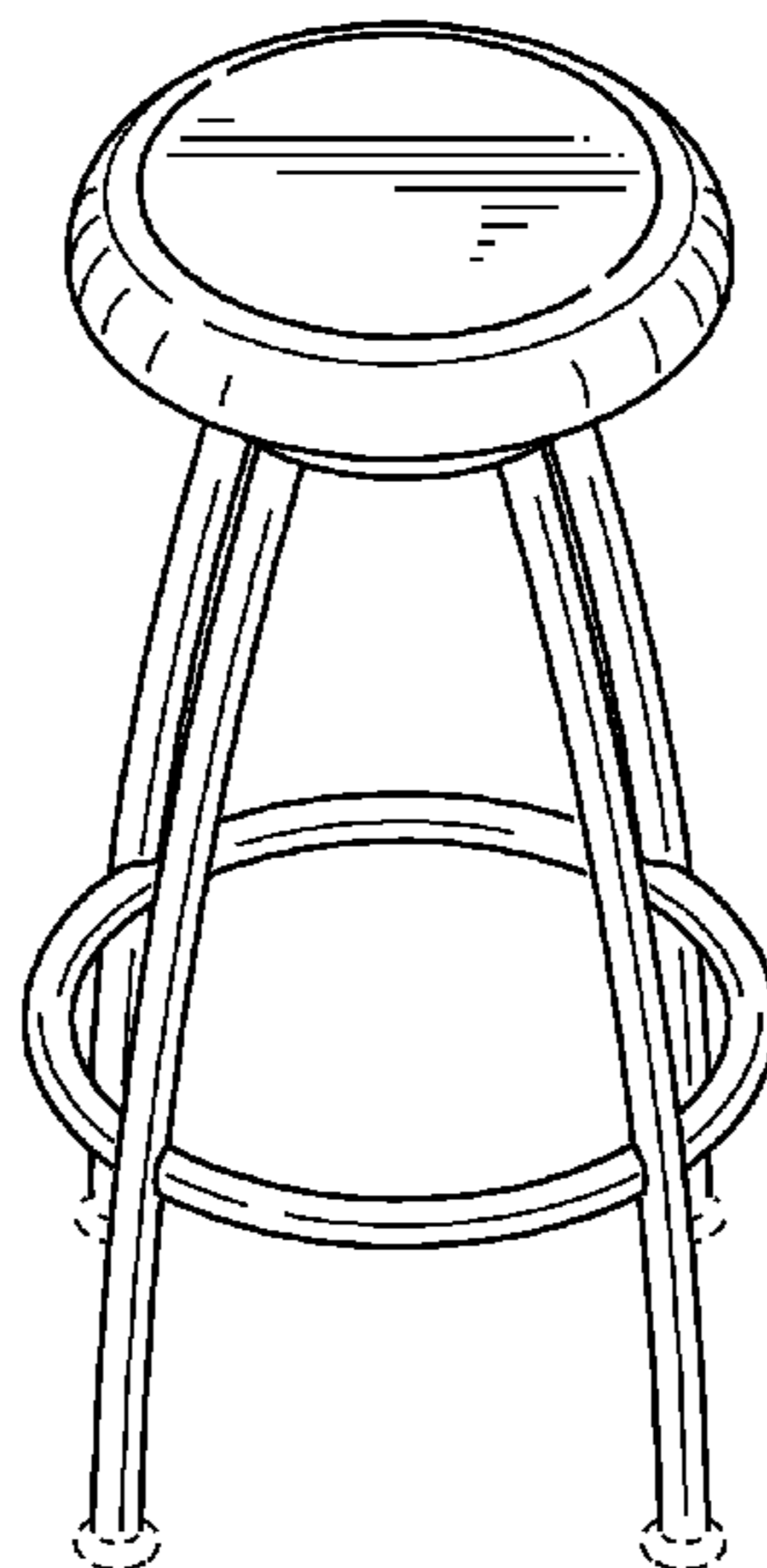
FIG. 6 is a front elevational view thereof, the rear elevational view, the right side elevational view and the left side elevational view being identical to the front elevational view of FIG. 6;

FIG. 7 is a top, front, right perspective view of a third embodiment of a stool embodying our new design, the top plan view thereof being identical to the view of FIG. 2, and the bottom plan view thereof being identical to the view of FIG. 4; and,

FIG. 8 is a front elevational view thereof, the rear elevational view, the right side elevational view and the left side elevational view being identical to the front elevational view of FIG. 8.

The broken line representations of support feet in FIGS. 1-8, and of chair structure in FIGS. 2, 4, 6, and 8 are for the purpose of illustration only, and form no part of the claimed design.

**1 Claim, 4 Drawing Sheets**



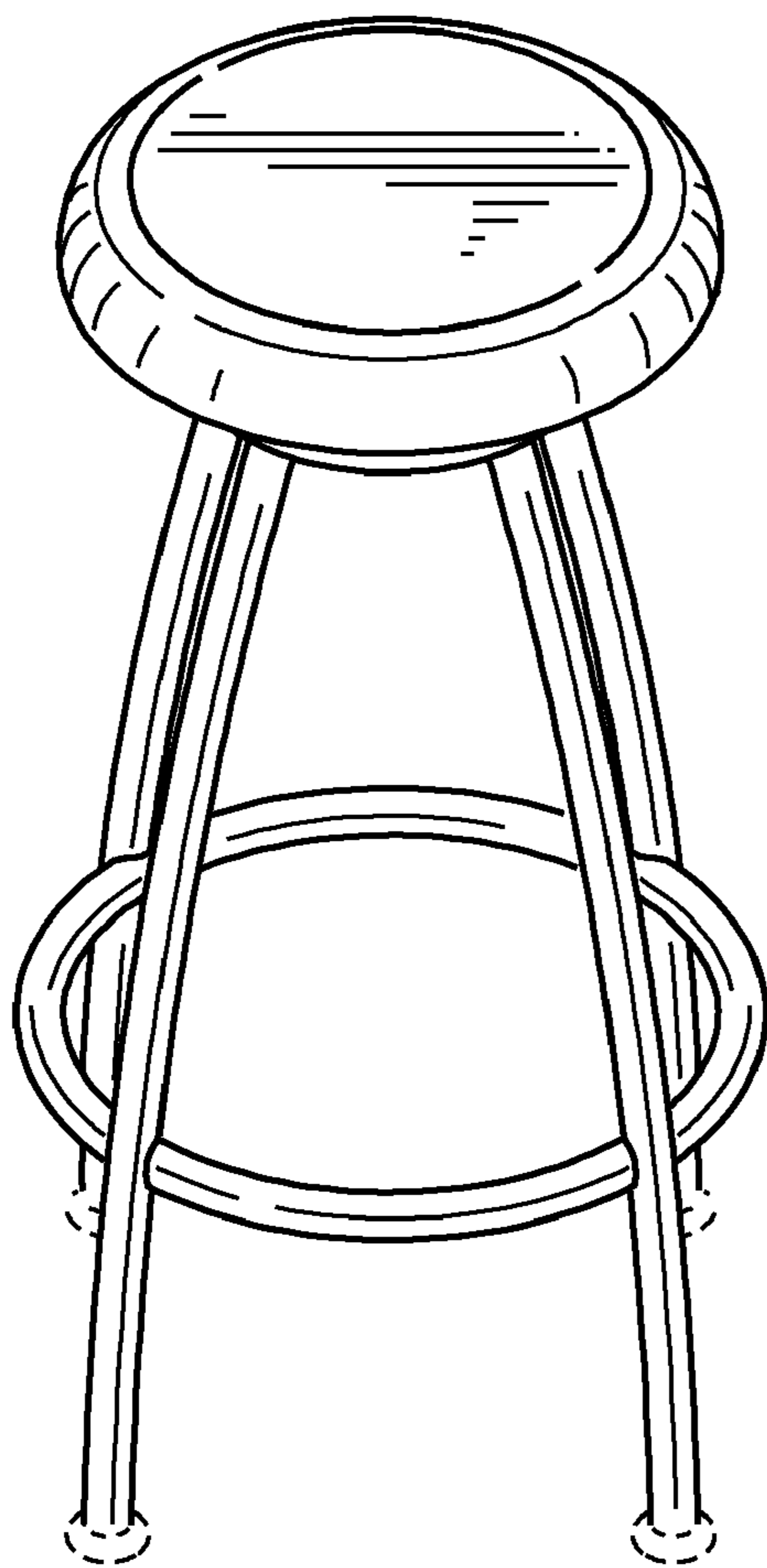


FIG. 1

FIG. 2

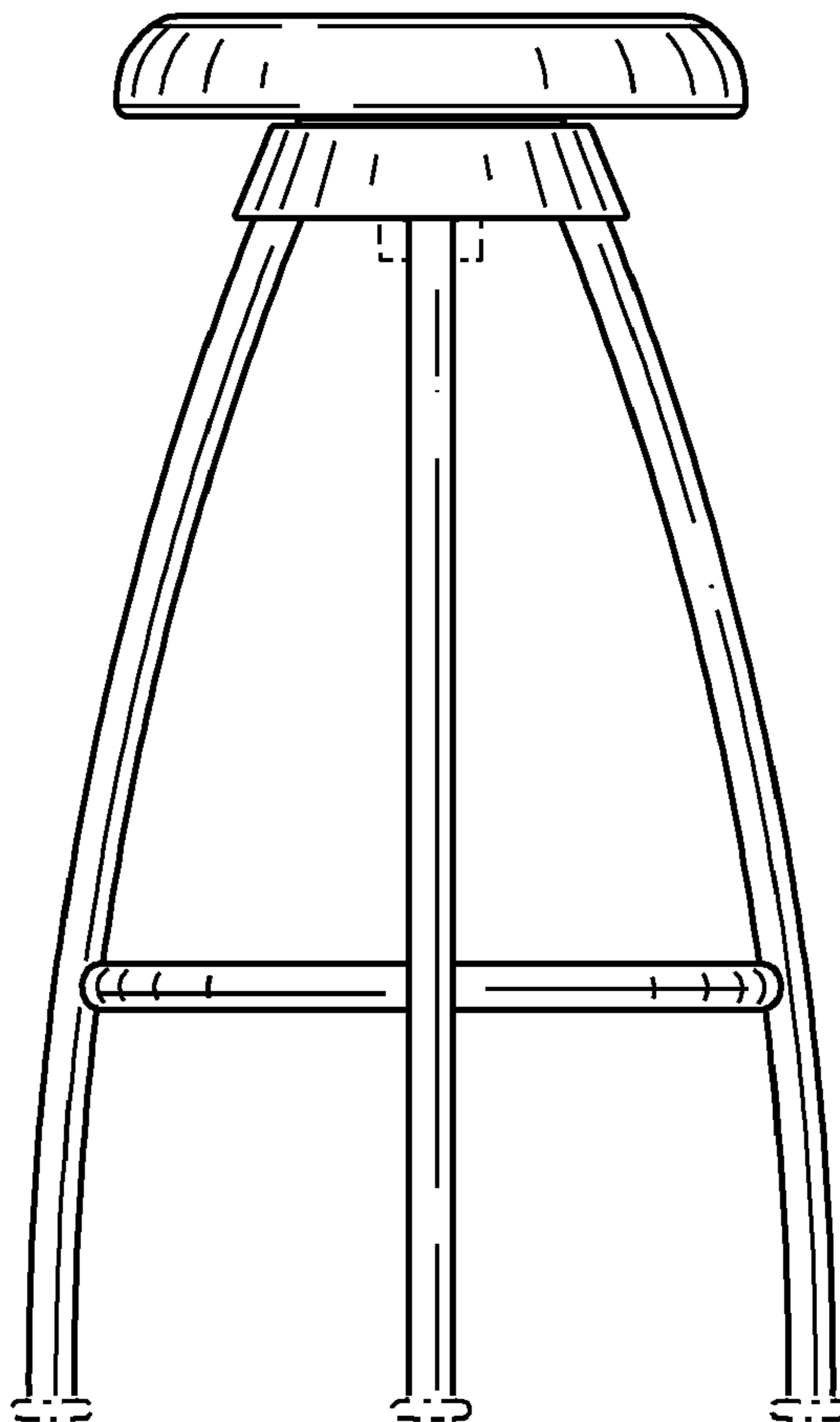


FIG. 3

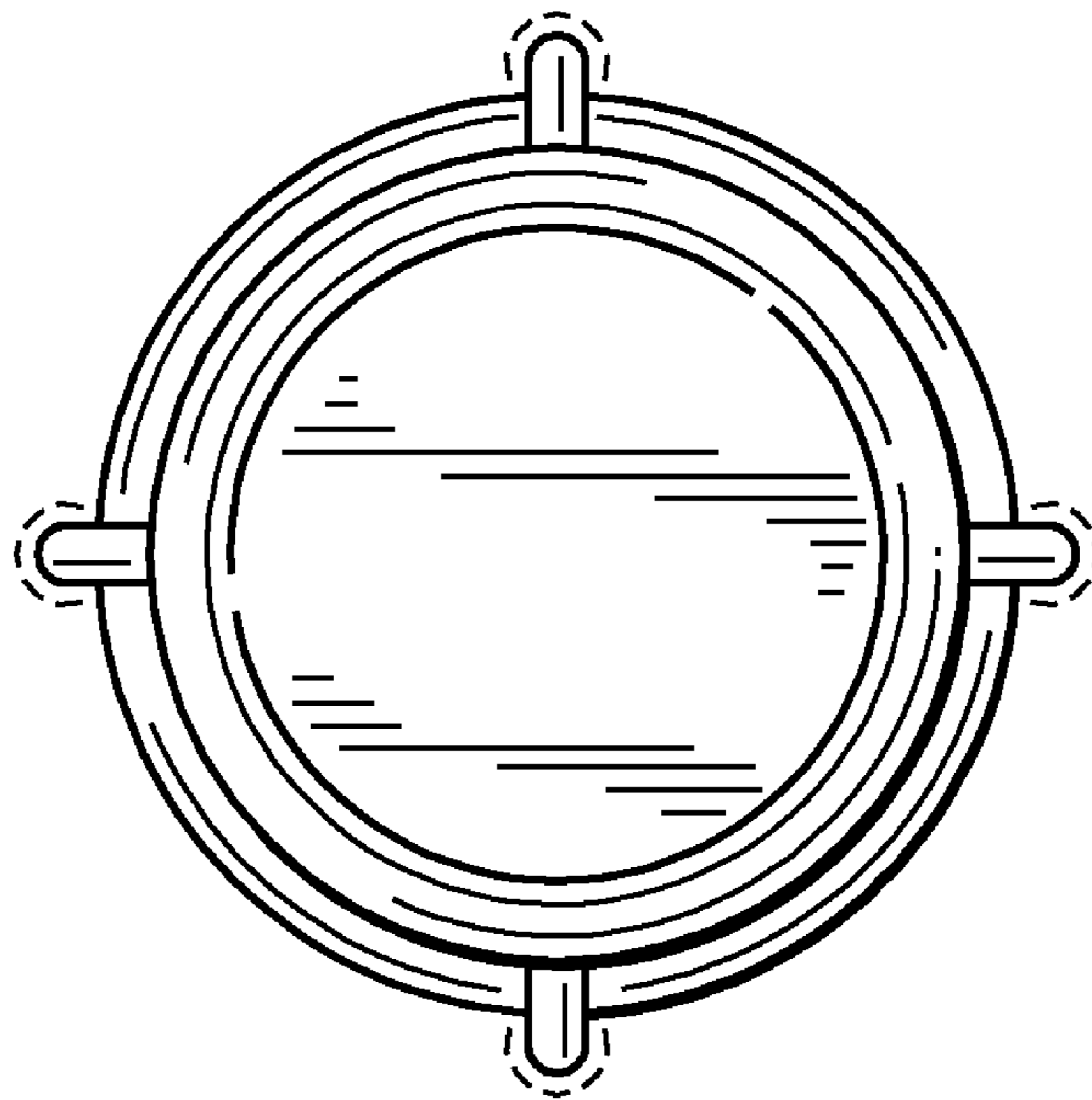
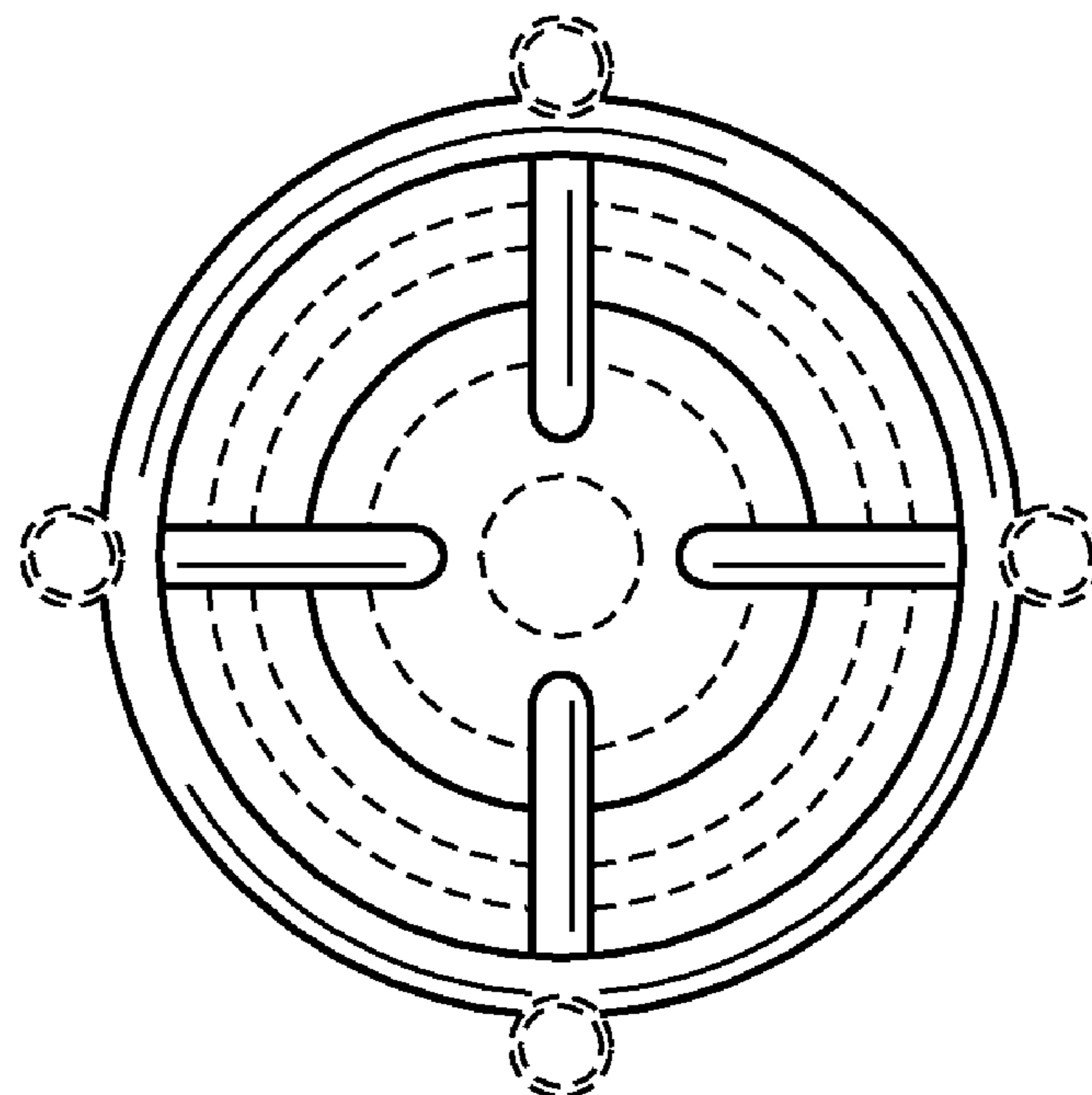


FIG. 4



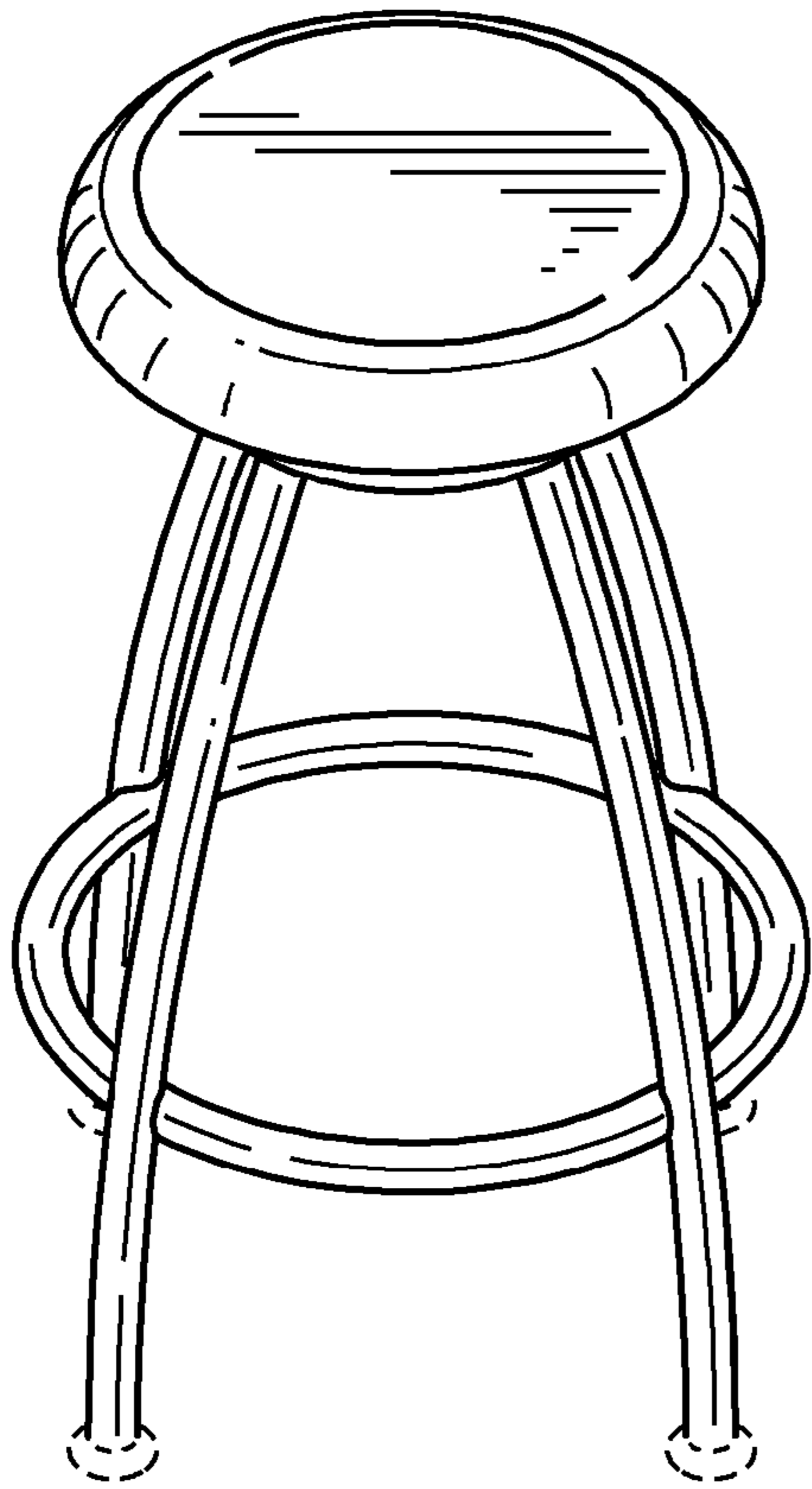


FIG. 5

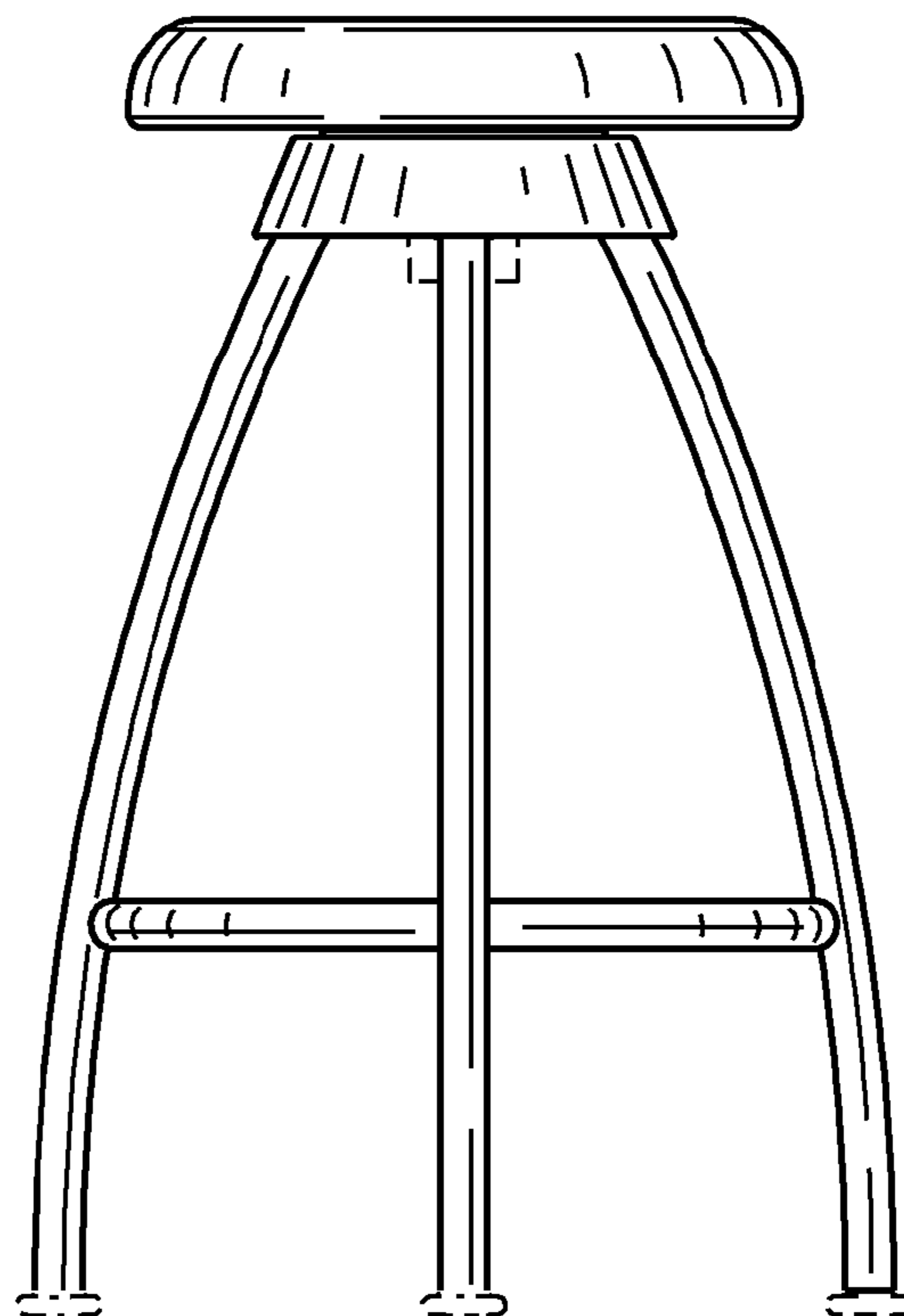


FIG. 6

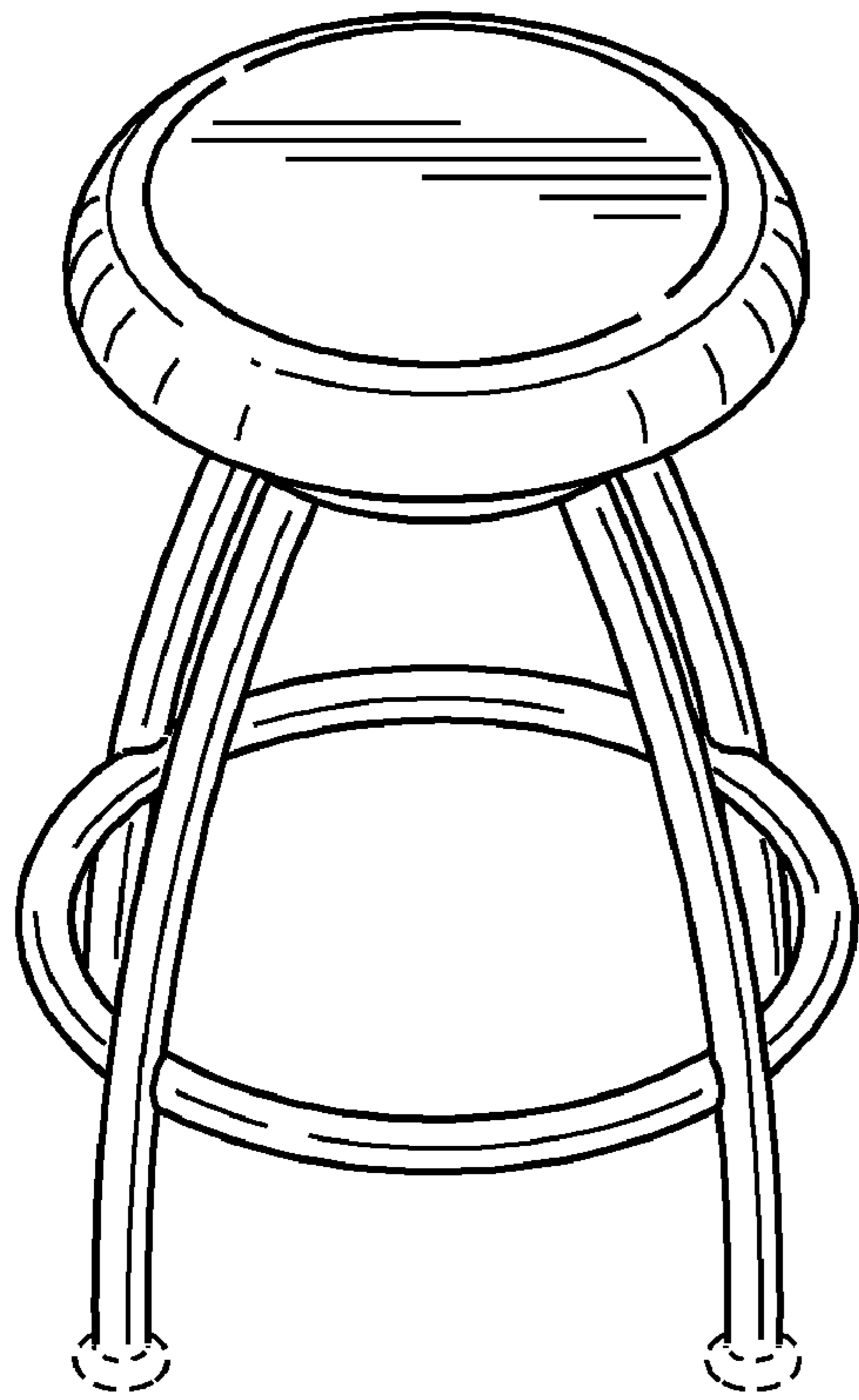


FIG. 7

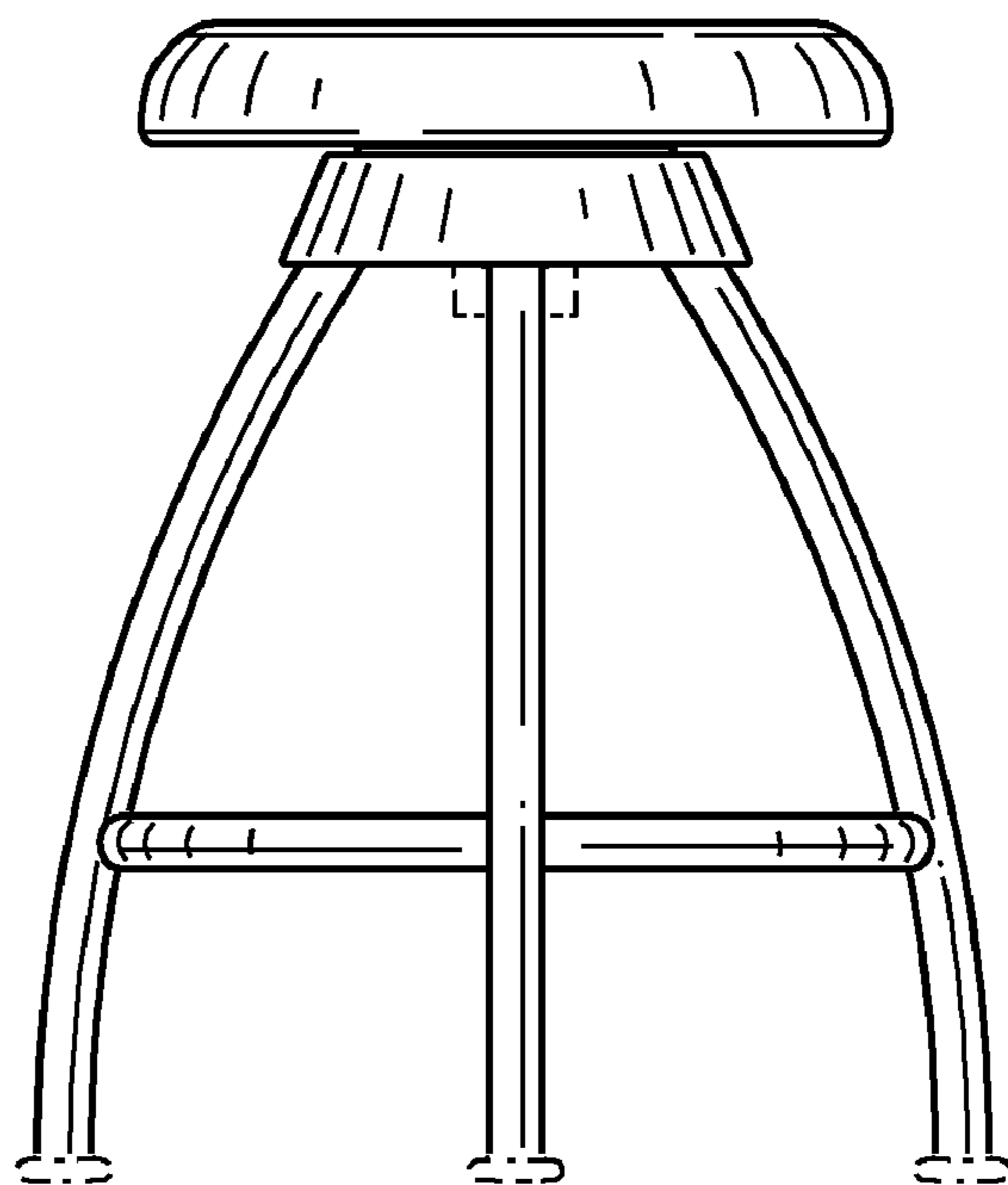


FIG. 8