



US00D579674S

(12) **United States Design Patent**
Budde

(10) **Patent No.:** **US D579,674 S**
(45) **Date of Patent:** **** Nov. 4, 2008**

(54) **PORCH SWING WITH SINGLE CHAIN
SUSPENSION**

(75) Inventor: **Robert August Budde**, 4510 Meadow
View Dr., Lima, OH (US) 45805

(73) Assignee: **Robert August Budde**, Lima, OH (US)

(**) Term: **14 Years**

(21) Appl. No.: **29/283,070**

(22) Filed: **Aug. 6, 2007**

(51) **LOC (8) Cl.** **06-01**

(52) **U.S. Cl.** **D6/347**

(58) **Field of Classification Search** D6/334-336,
D6/344, 346, 347, 368, 367, 374, 375, 379,
D6/380, 500-502; D21/521, 823; 297/273,
297/376, 277, 278, 280, 281, 282; 472/118,
472/122, 125

See application file for complete search history.

(56) **References Cited**

U.S. PATENT DOCUMENTS

289,267 A * 11/1883 Ingersoll 297/278
483,270 A * 9/1892 Tohill 297/276
703,458 A * 7/1902 Perkins 297/276

D136,787 S * 12/1943 Smith D6/347
D182,082 S * 2/1958 Pierce D6/347
3,615,119 A * 10/1971 Irwin 297/281
D294,375 S * 2/1988 Lowry D21/521
D356,692 S * 3/1995 Dawson D6/347
D499,894 S * 12/2004 Wu D6/347

* cited by examiner

Primary Examiner—Mimosa De

(57) **CLAIM**

I claim the ornamental design for porch swing with single chain suspension, as shown and described.

DESCRIPTION

FIG. 1 is a perspective view of a porch swing with single chain suspension, showing my new design;

FIG. 2 is a front elevational view of the invention;

FIG. 3 is a rear elevational view of the invention;

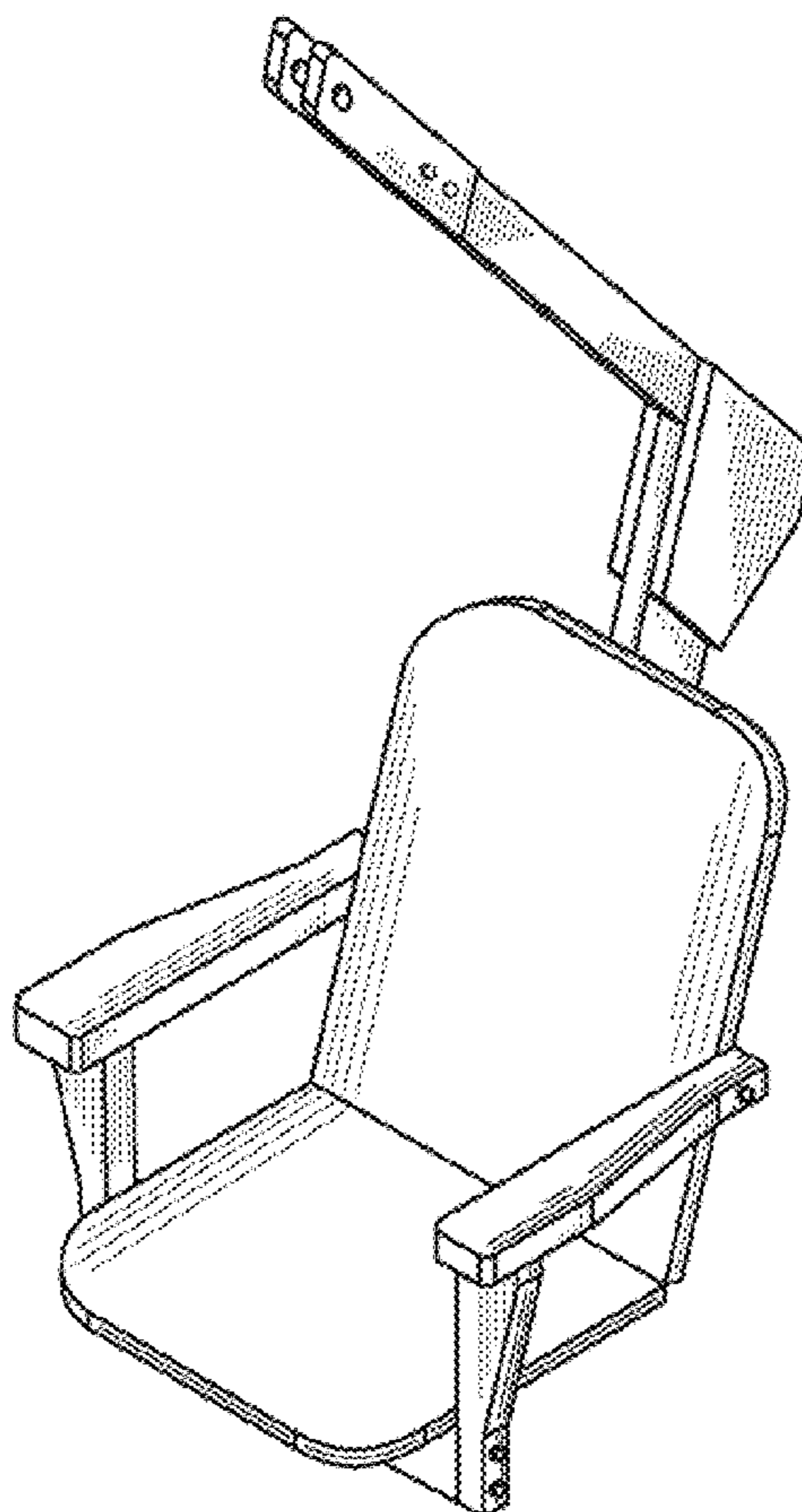
FIG. 4 is a left-side elevational view of the invention;

FIG. 5 is a right-side elevational view of the invention;

FIG. 6 is a top plan view of the invention; and,

FIG. 7 is a bottom plan view of the invention.

1 Claim, 2 Drawing Sheets



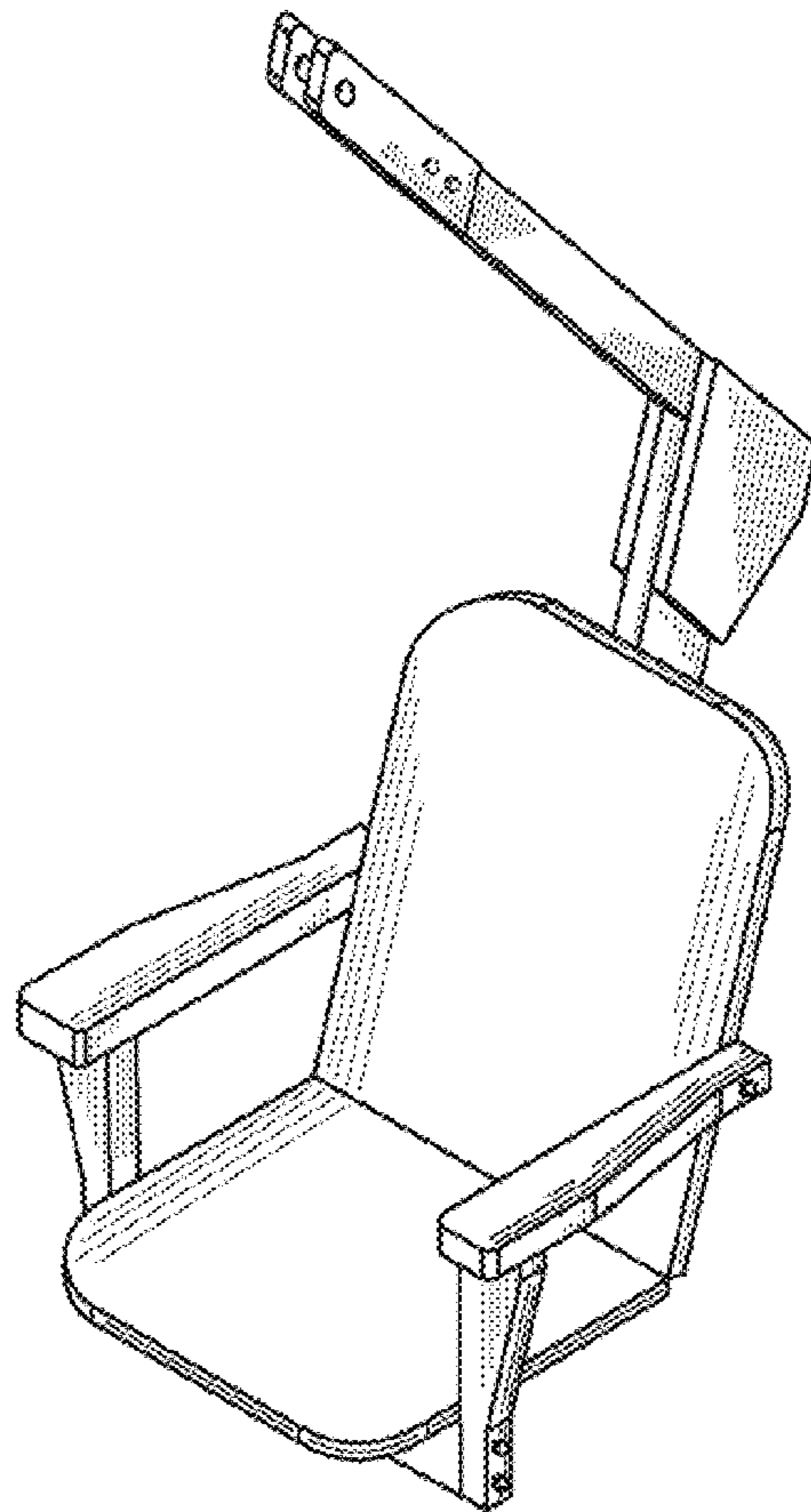


FIG. 1

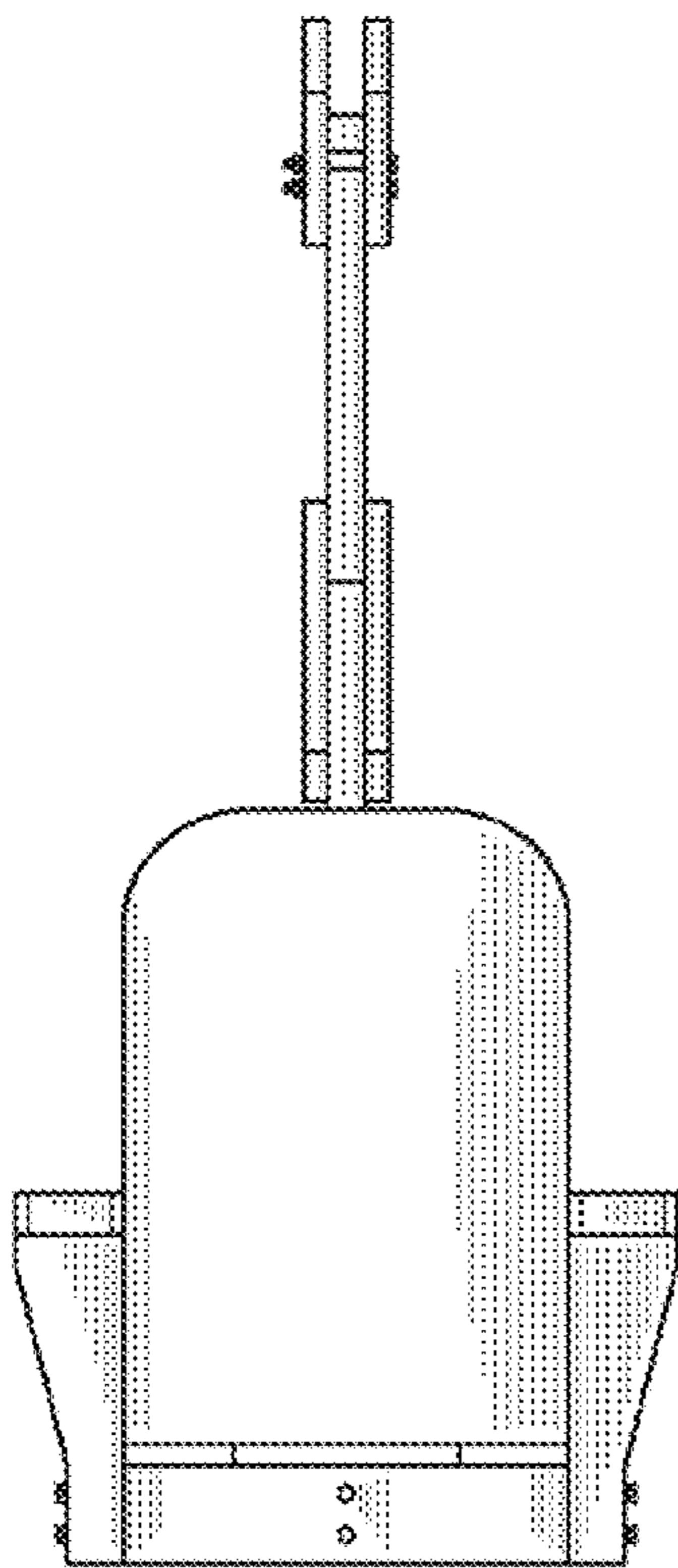


FIG. 2

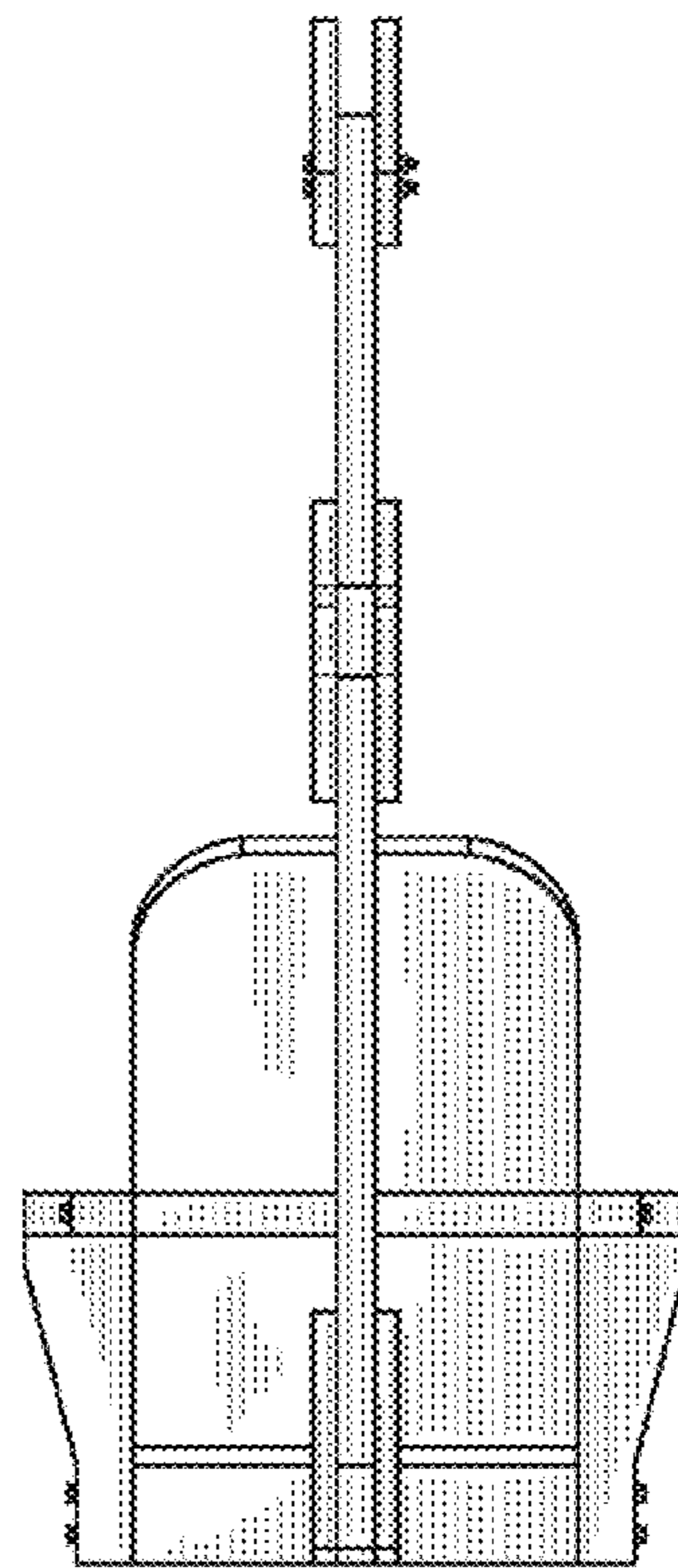


FIG. 3

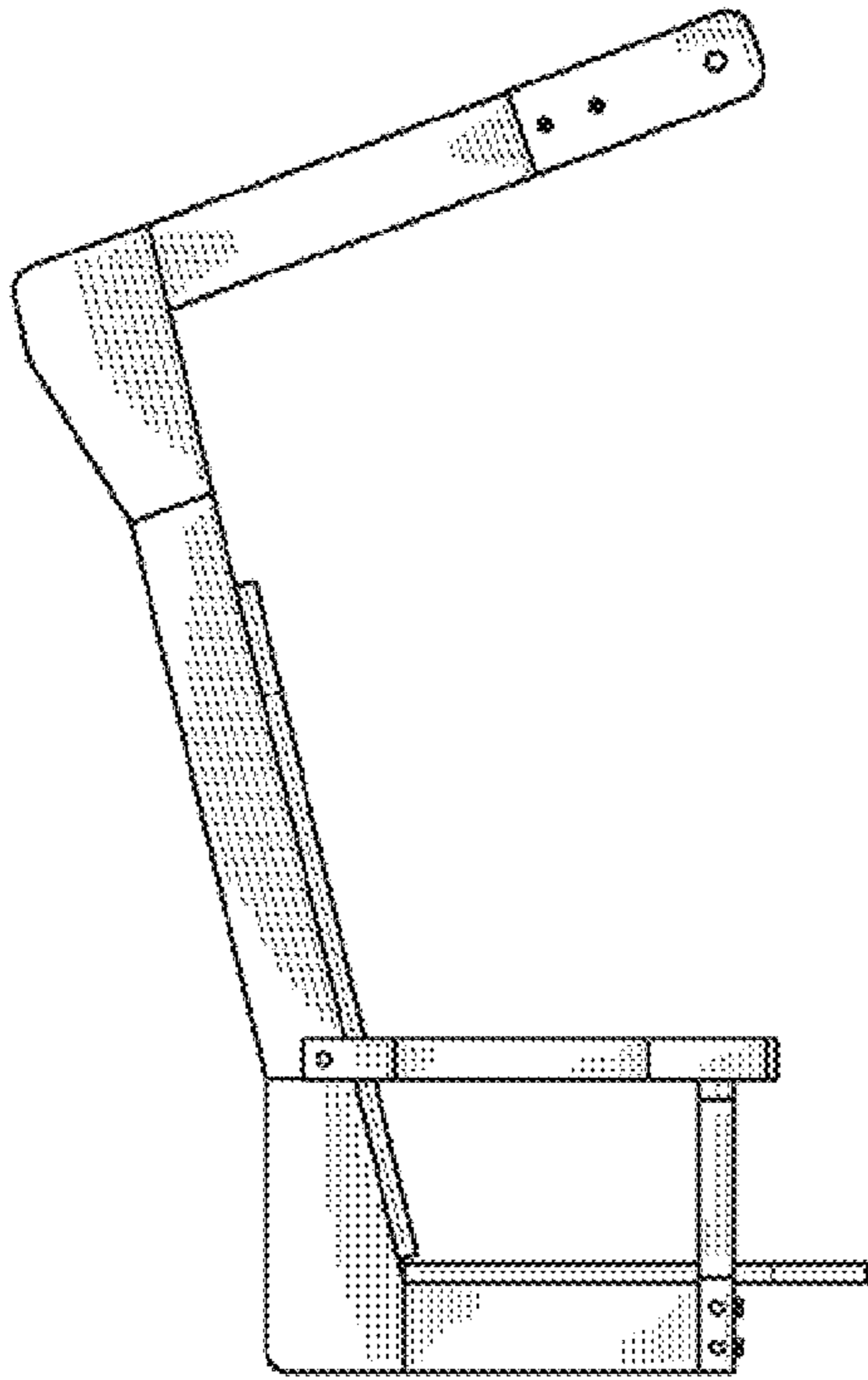


FIG. 4

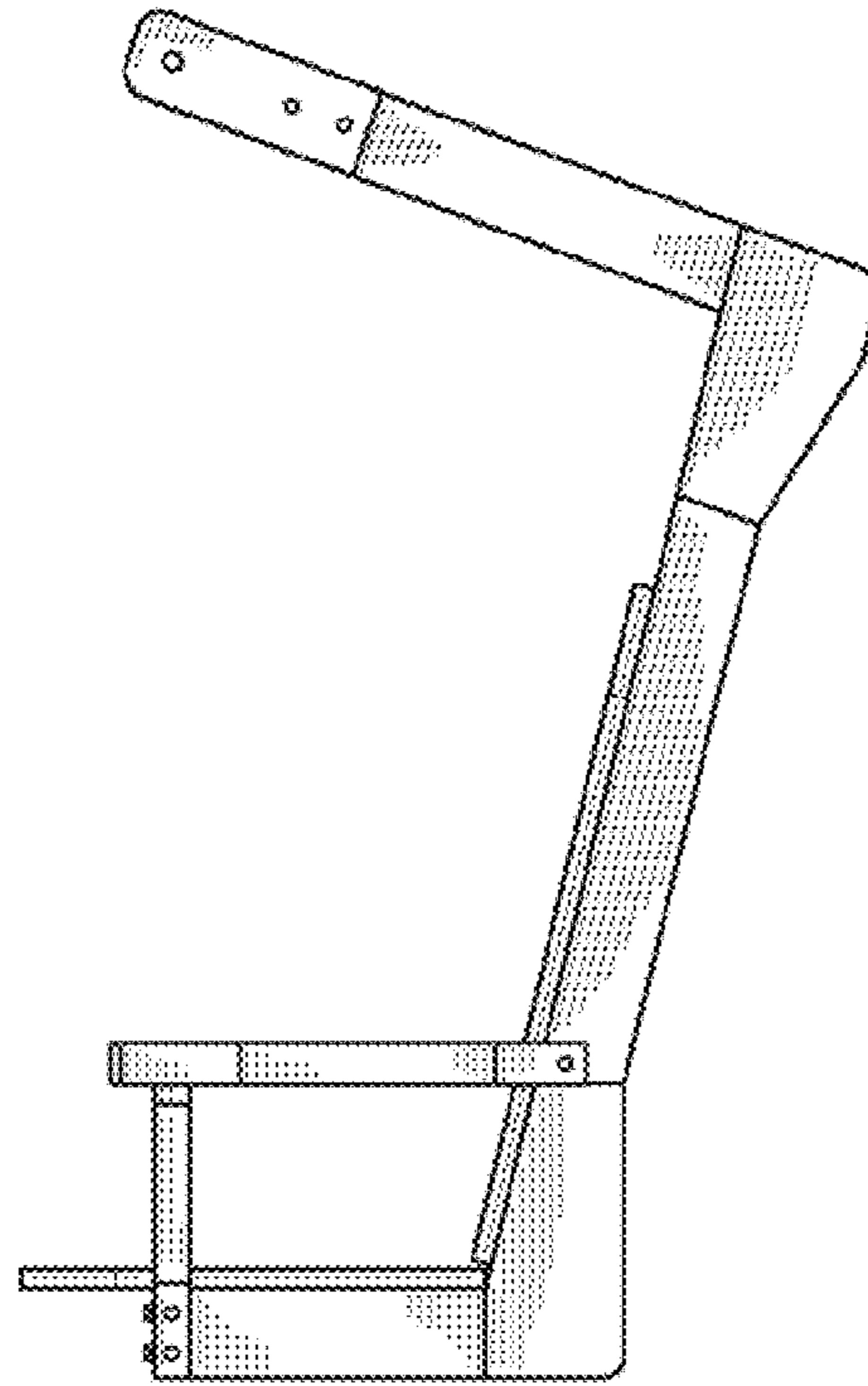


FIG. 5

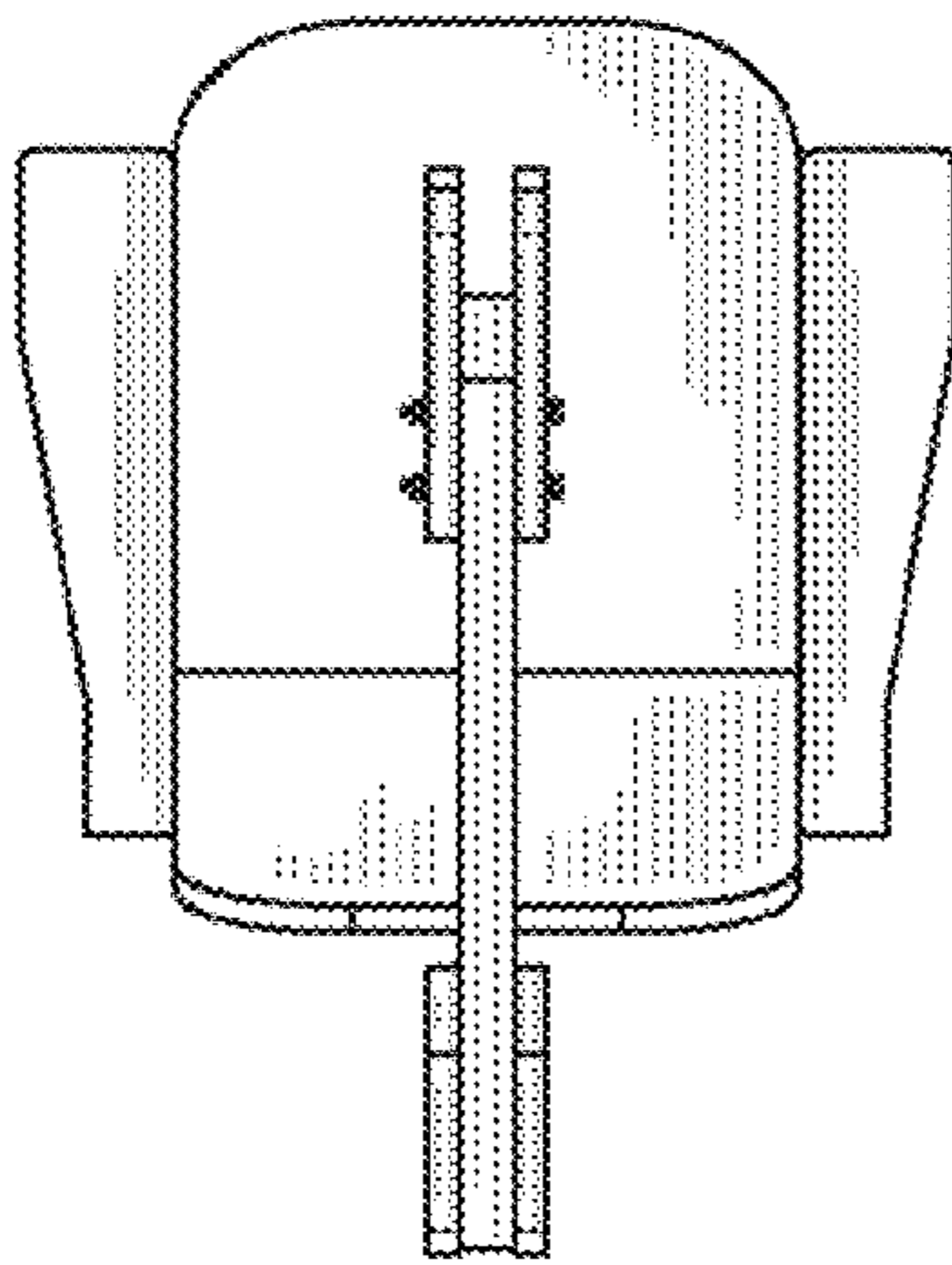


FIG. 6

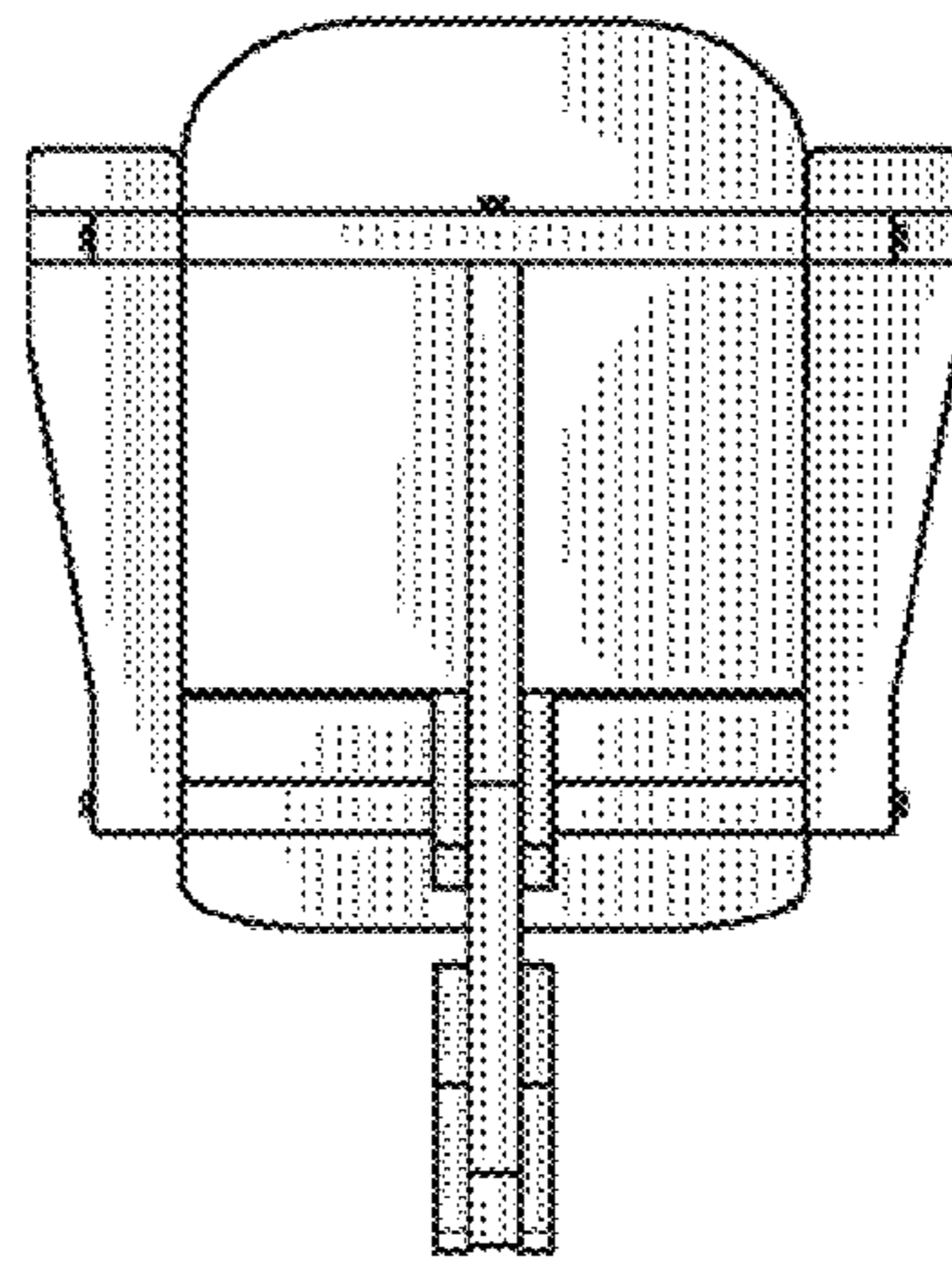


FIG. 7