



US00D579673S

(12) **United States Design Patent**
Mancuso et al.

(10) **Patent No.:** **US D579,673 S**
(45) **Date of Patent:** **** Nov. 4, 2008**

(54) **HIGHCHAIR**

(75) Inventors: **Valentina Mancuso**, Vaprio d'Adda (IT); **Corrado Martinazzoli**, Corte Franca (IT)

(73) Assignee: **Artsana S.p.A.**, Grandate (IT)

(**) Term: **14 Years**

(21) Appl. No.: **29/304,244**

(22) Filed: **Feb. 27, 2008**

(51) **LOC (8) Cl.** **06-01**

(52) **U.S. Cl.** **D6/339**

(58) **Field of Classification Search** D6/333, D6/335, 339, 491, 499-502; D12/129; D21/412, D21/416, 419; 280/30, 31; 5/93.1, 93.2, 5/94, 98.1, 99.1, 101, 102, 655; 297/183.1, 297/183.2, 183.3, 183.4, 184.14, 184.15, 297/250.1, 255, 256.15, 256.16

See application file for complete search history.

(56) **References Cited**

U.S. PATENT DOCUMENTS

D283,956 S *	5/1986	Lemmeyer	D6/339
D344,189 S *	2/1994	Golenz et al.	D6/339
D364,968 S *	12/1995	Chien	D6/339
D386,911 S *	12/1997	Perego	D6/339
5,951,102 A *	9/1999	Poulson et al.	297/130
D426,965 S *	6/2000	Wu	D6/339
6,089,653 A *	7/2000	Hotaling et al.	297/130
D428,715 S *	8/2000	Brevi	D6/339
6,692,070 B1 *	2/2004	Hou et al.	297/153
D492,519 S *	7/2004	Nolan	D6/500
6,920,830 B1 *	7/2005	Asbach et al.	108/26

D513,458 S * 1/2006 Mendenhall et al. D6/495
D543,712 S * 6/2007 Cheng D6/339

* cited by examiner

Primary Examiner—Sandra Snapp

(74) *Attorney, Agent, or Firm*—Oblon, Spivak, McClelland, Maier & Neustadt, P.C.

(57) **CLAIM**

The ornamental design for a highchair, as shown and described.

DESCRIPTION

FIG. 1 is a top, front and left side perspective view of a highchair showing our new design in a position suitable for feeding a baby;

FIG. 2 is a top plan view thereof;

FIG. 3 is a right side elevational view thereof;

FIG. 4 is a left side elevational view thereof;

FIG. 5 is a front elevational view thereof;

FIG. 6 is a rear elevational view thereof;

FIG. 7 is a bottom plan view thereof;

FIG. 8 is a top, front and left side perspective view of the highchair shown in a position permitting a baby to sleep;

FIG. 9 is a top plan view thereof;

FIG. 10 is a left side elevational view thereof;

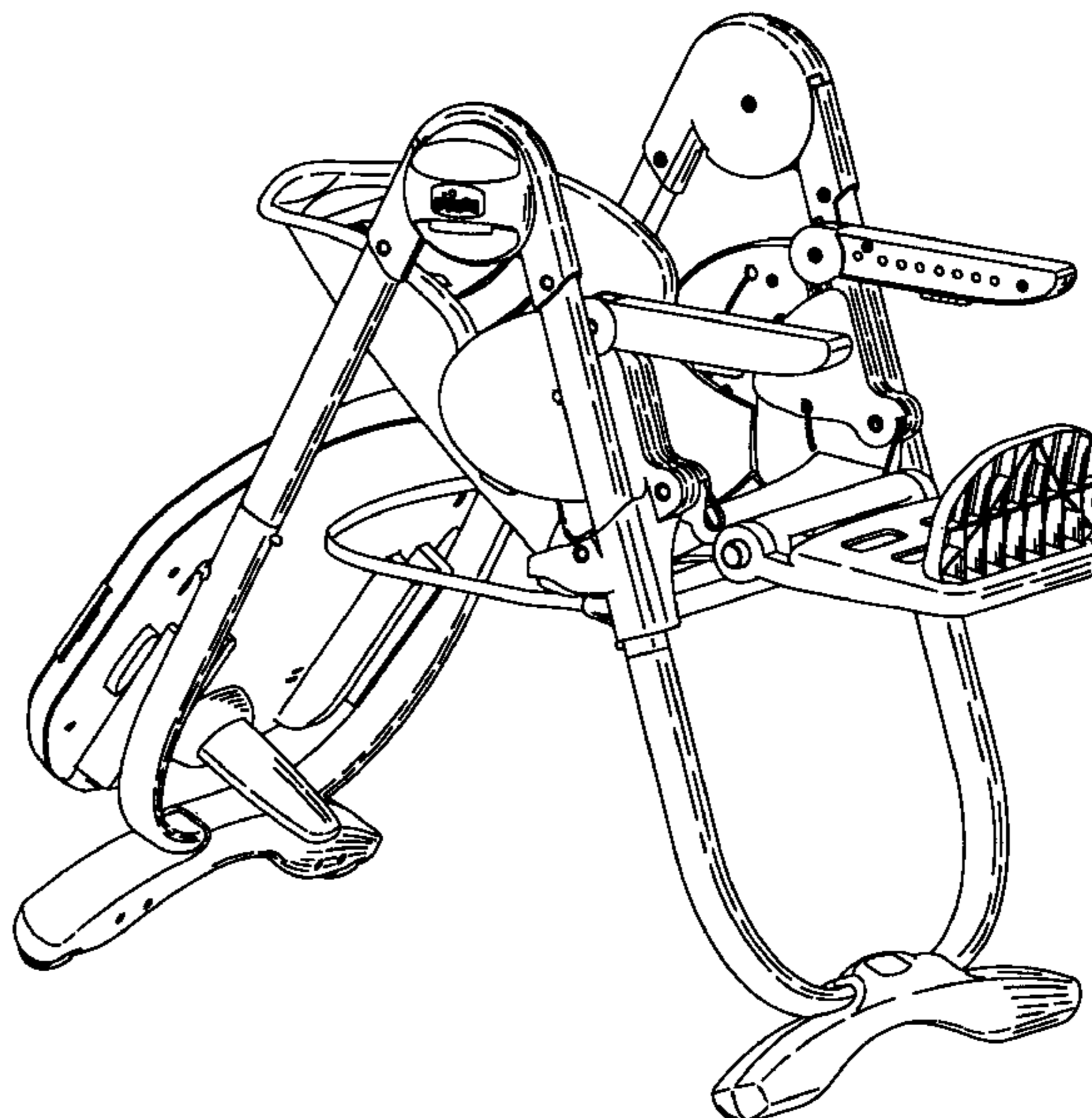
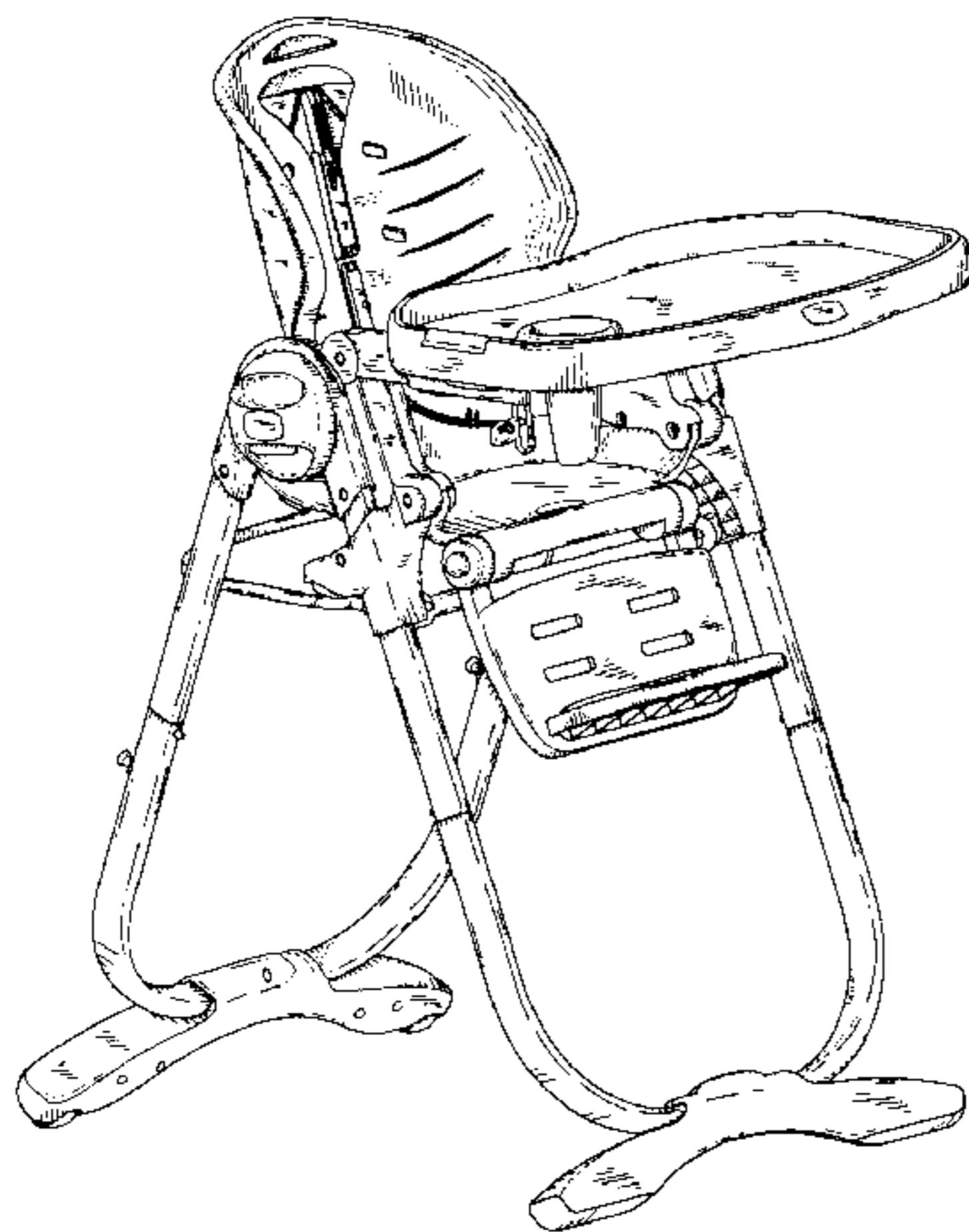
FIG. 11 is a right side elevational view thereof;

FIG. 12 is a front elevational view thereof;

FIG. 13 is a rear elevational view thereof; and,

FIG. 14 is a bottom plan view.

1 Claim, 14 Drawing Sheets



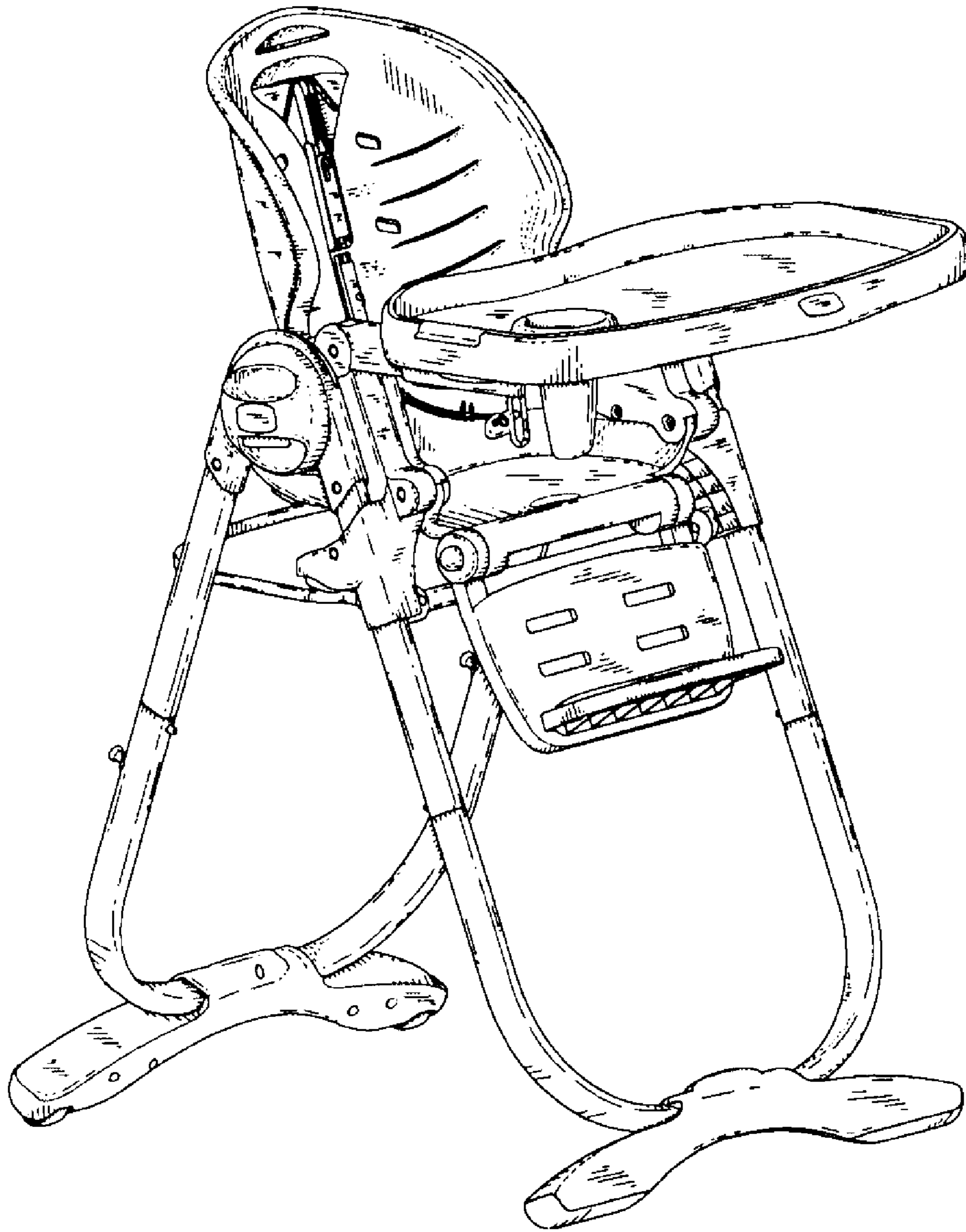


Fig. 1

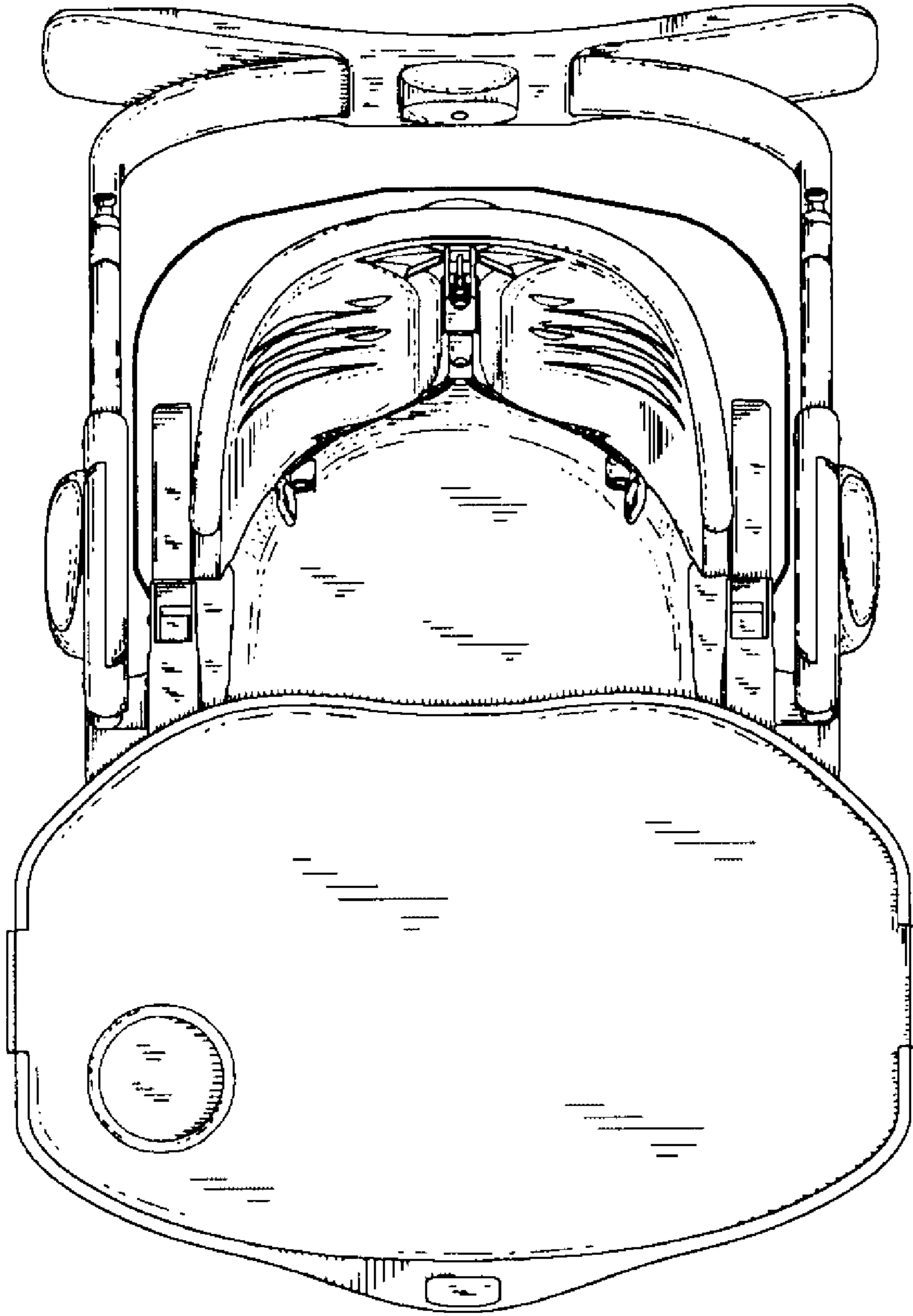


Fig. 2

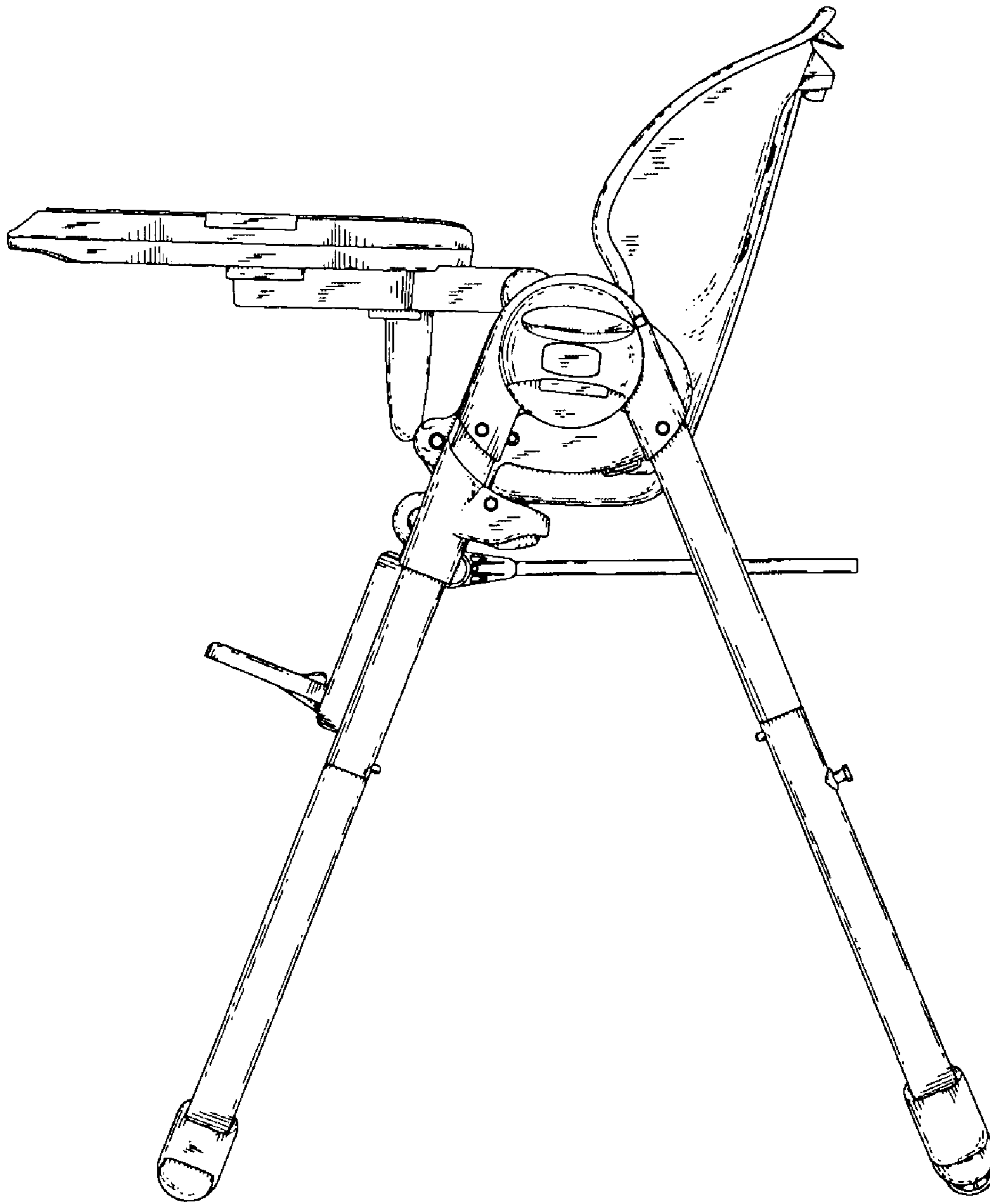


Fig. 3

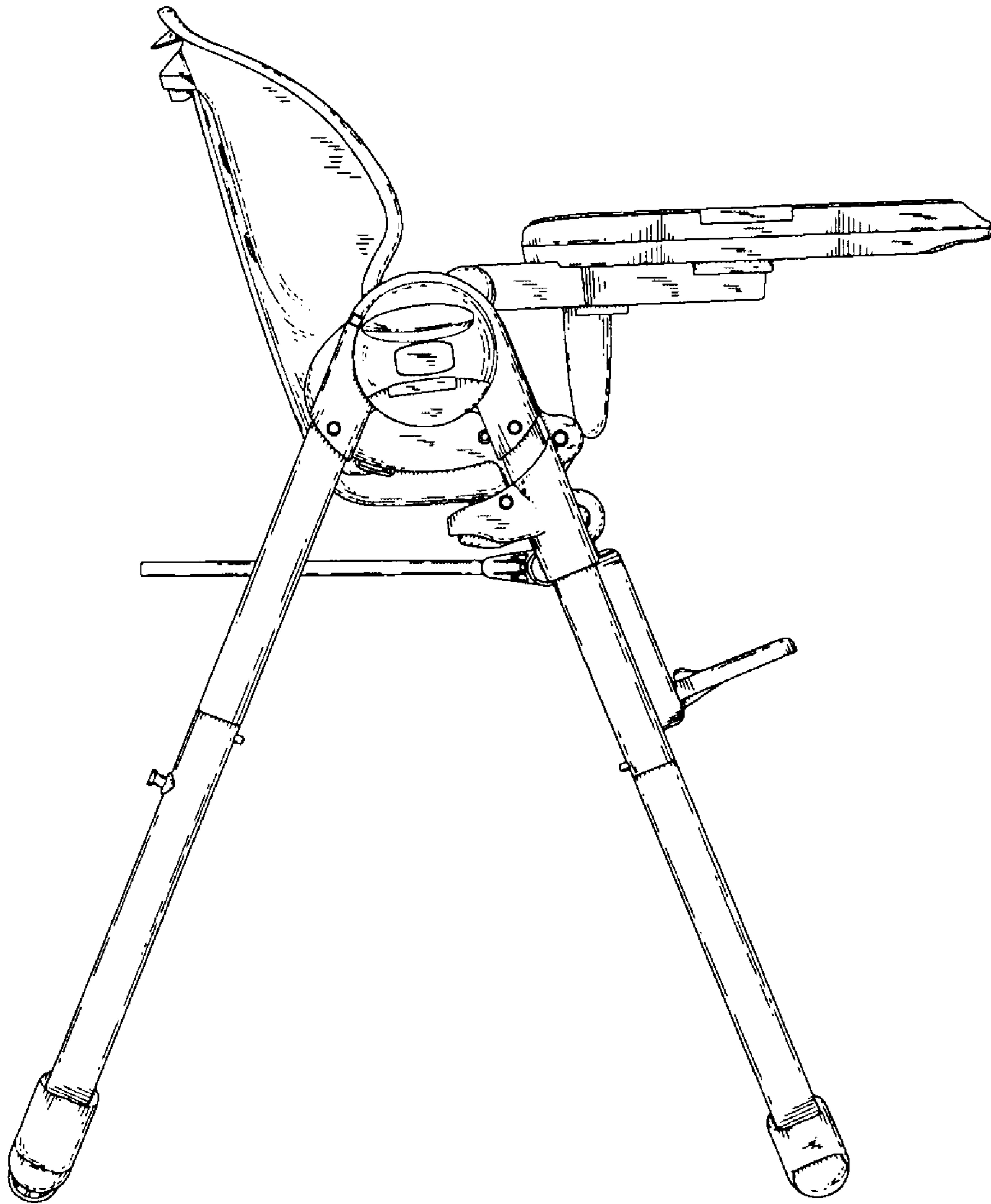


Fig. 4

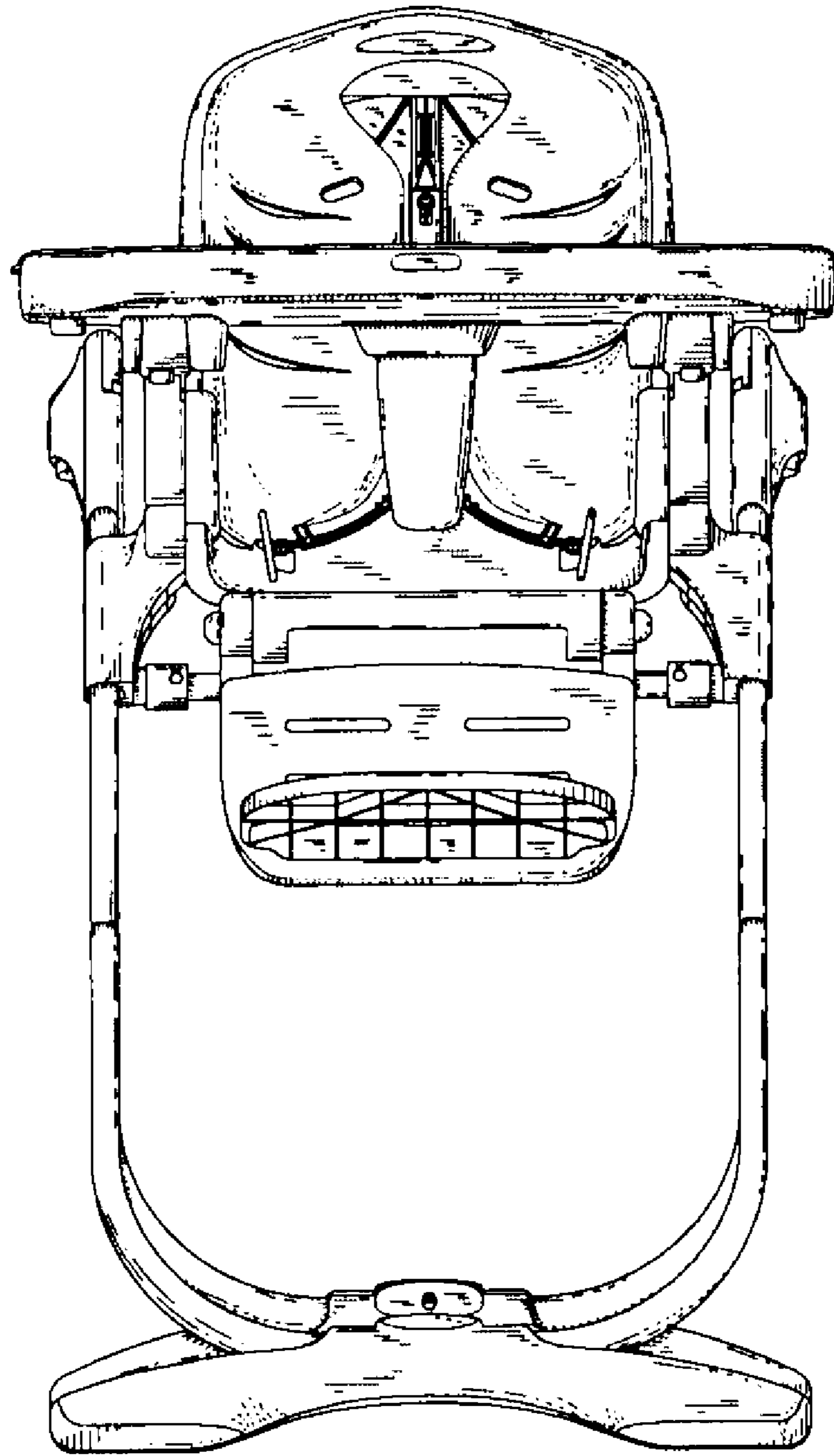


Fig. 5

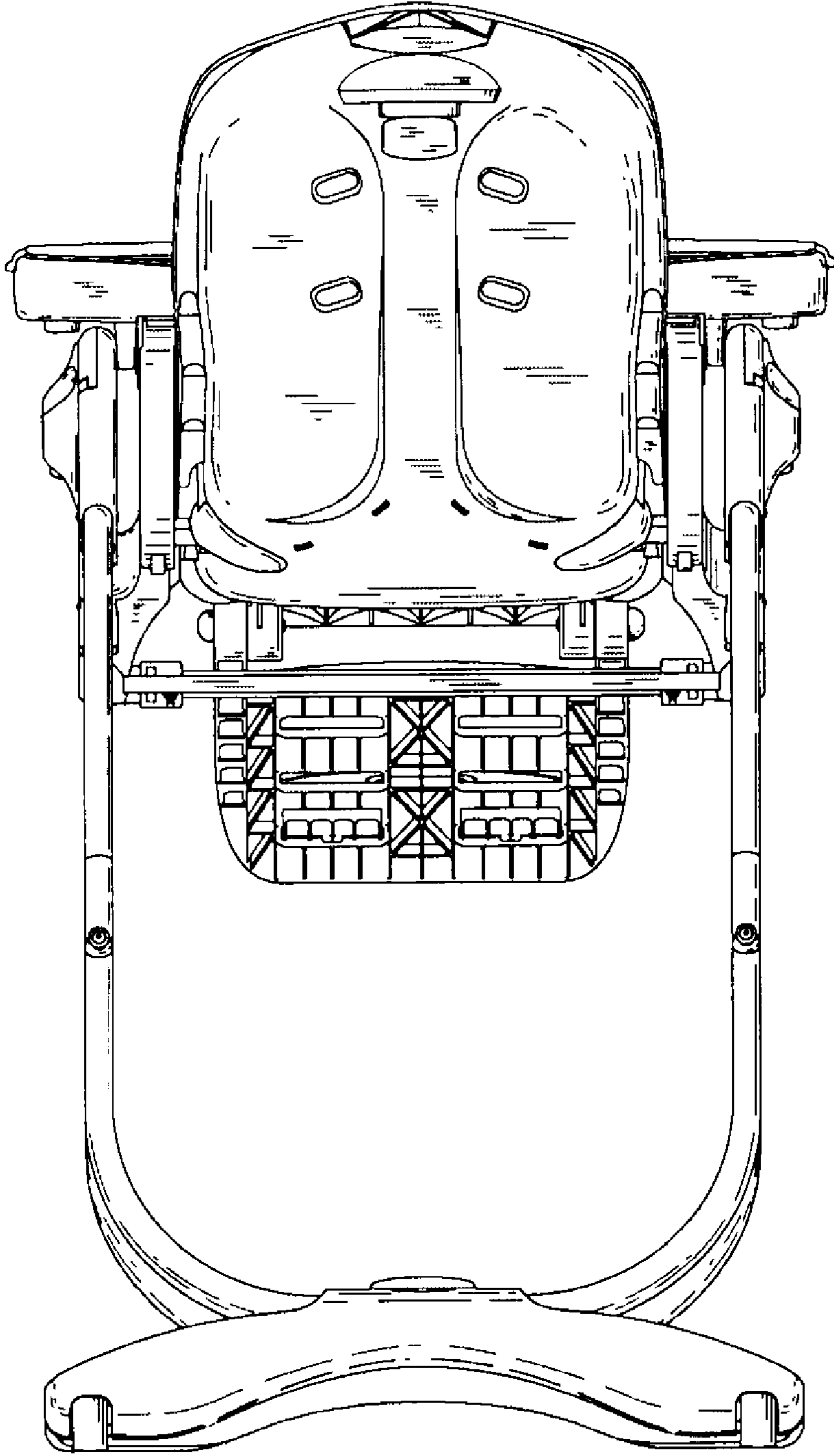


Fig. 6

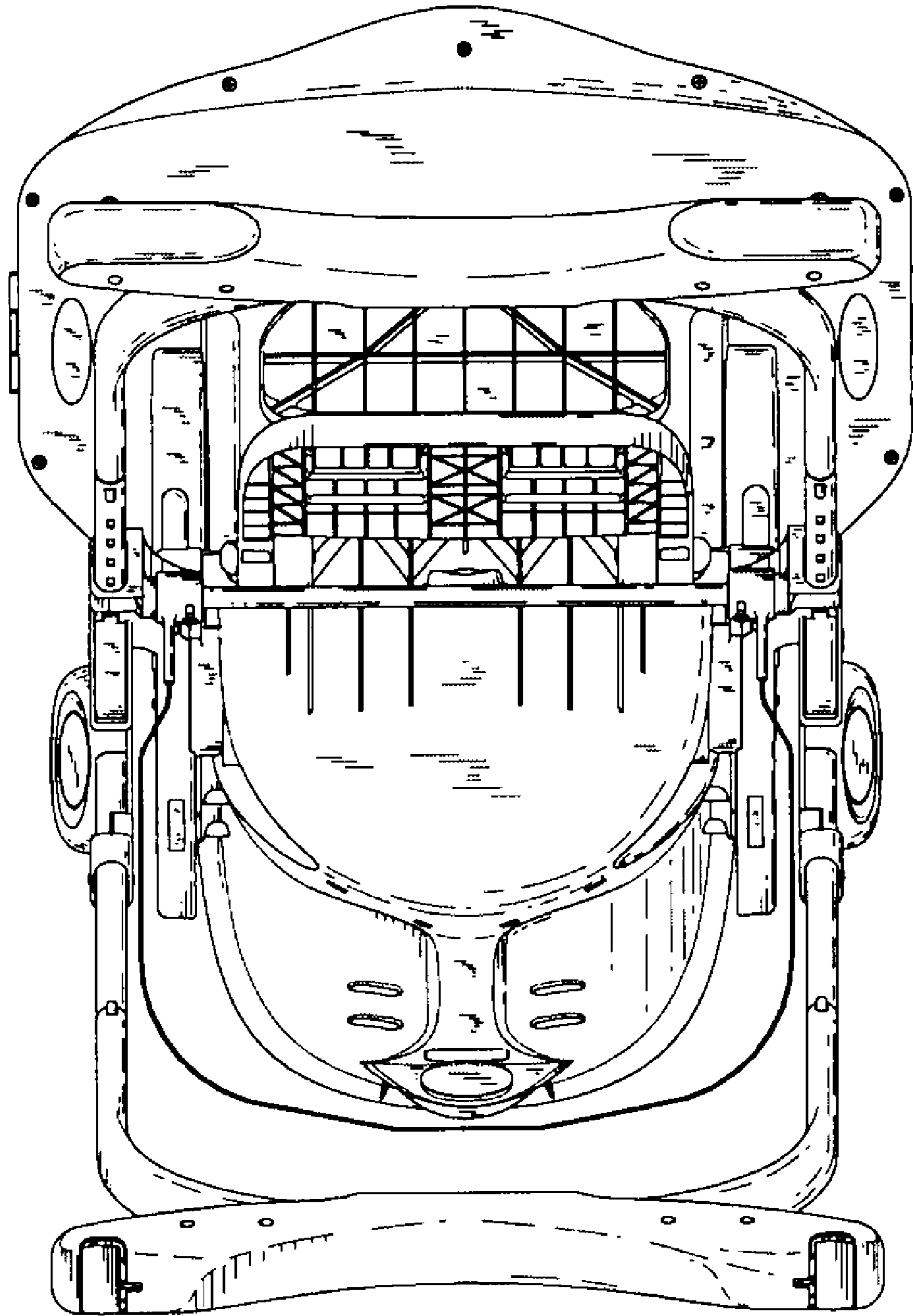


Fig. 7

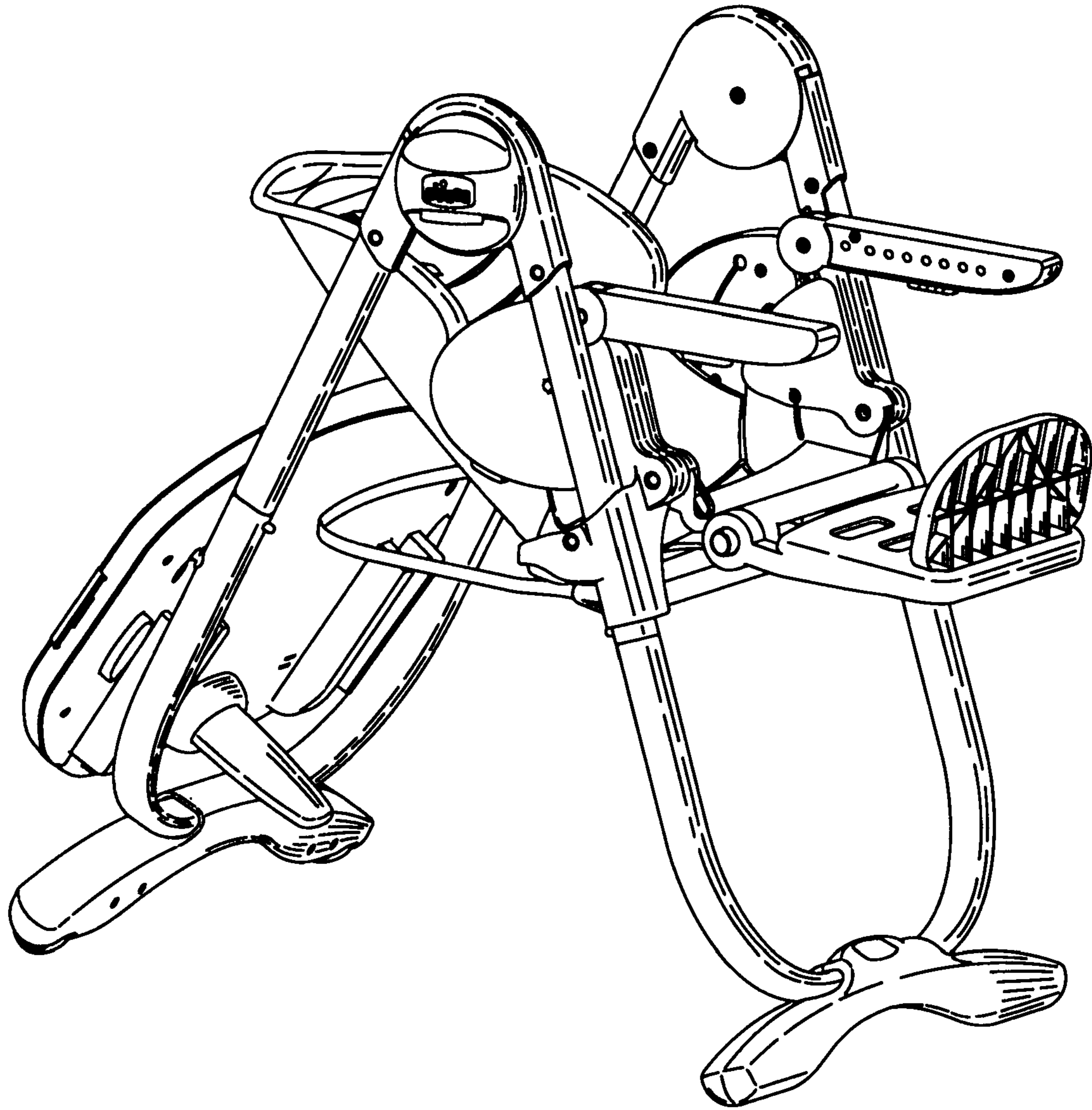


Fig. 8

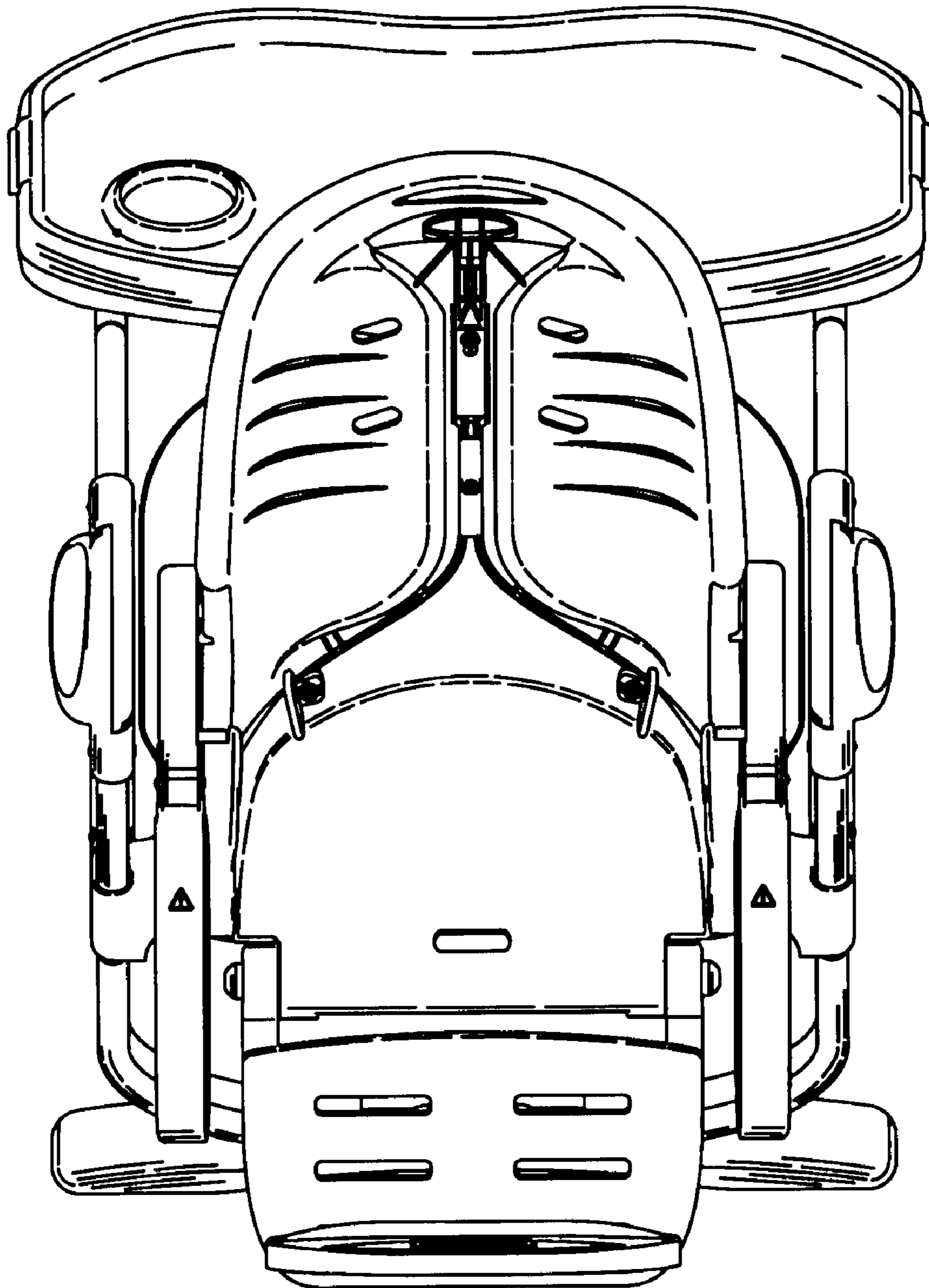


Fig. 9

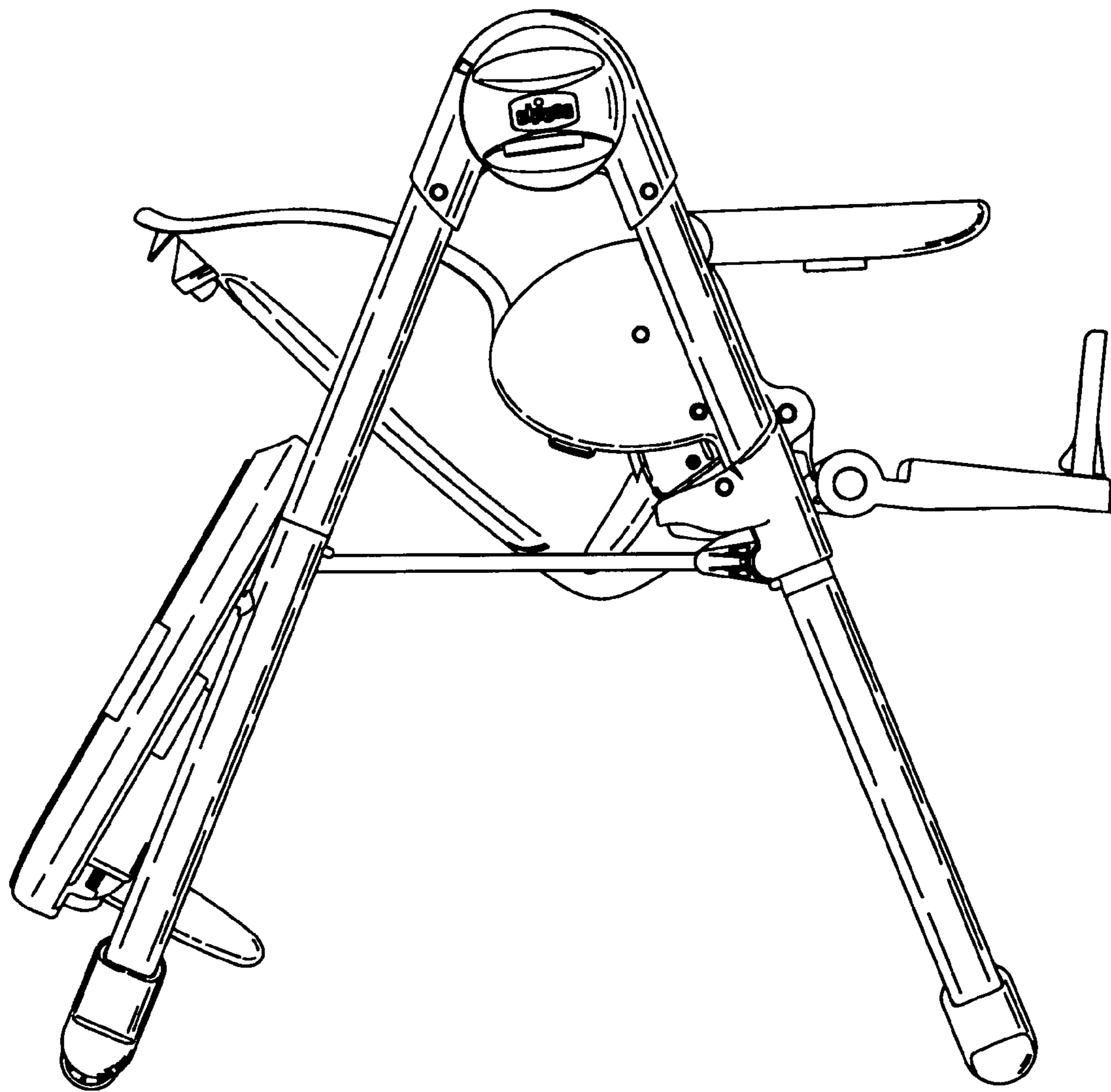


Fig. 10

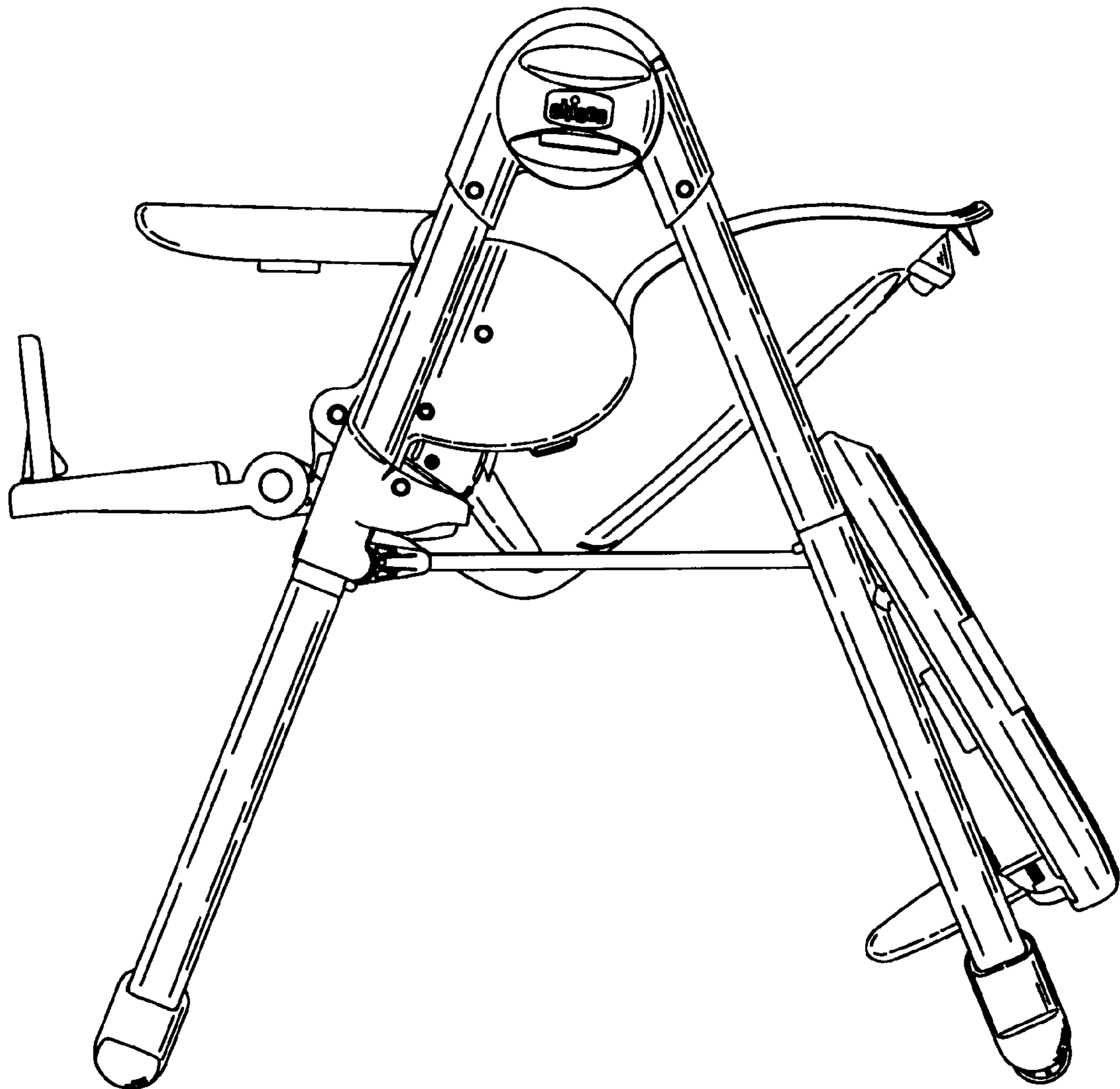


Fig. 11

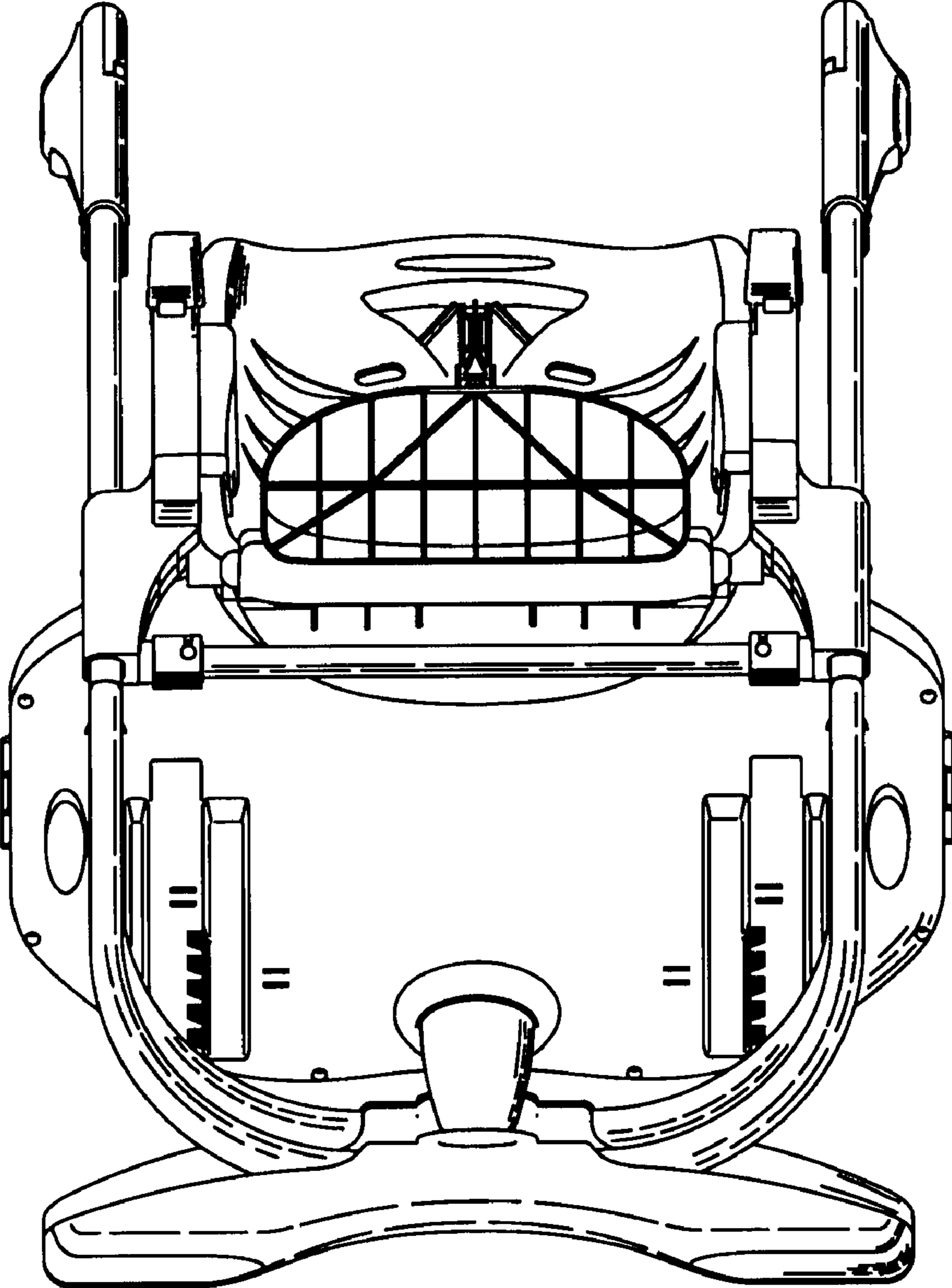


Fig. 12

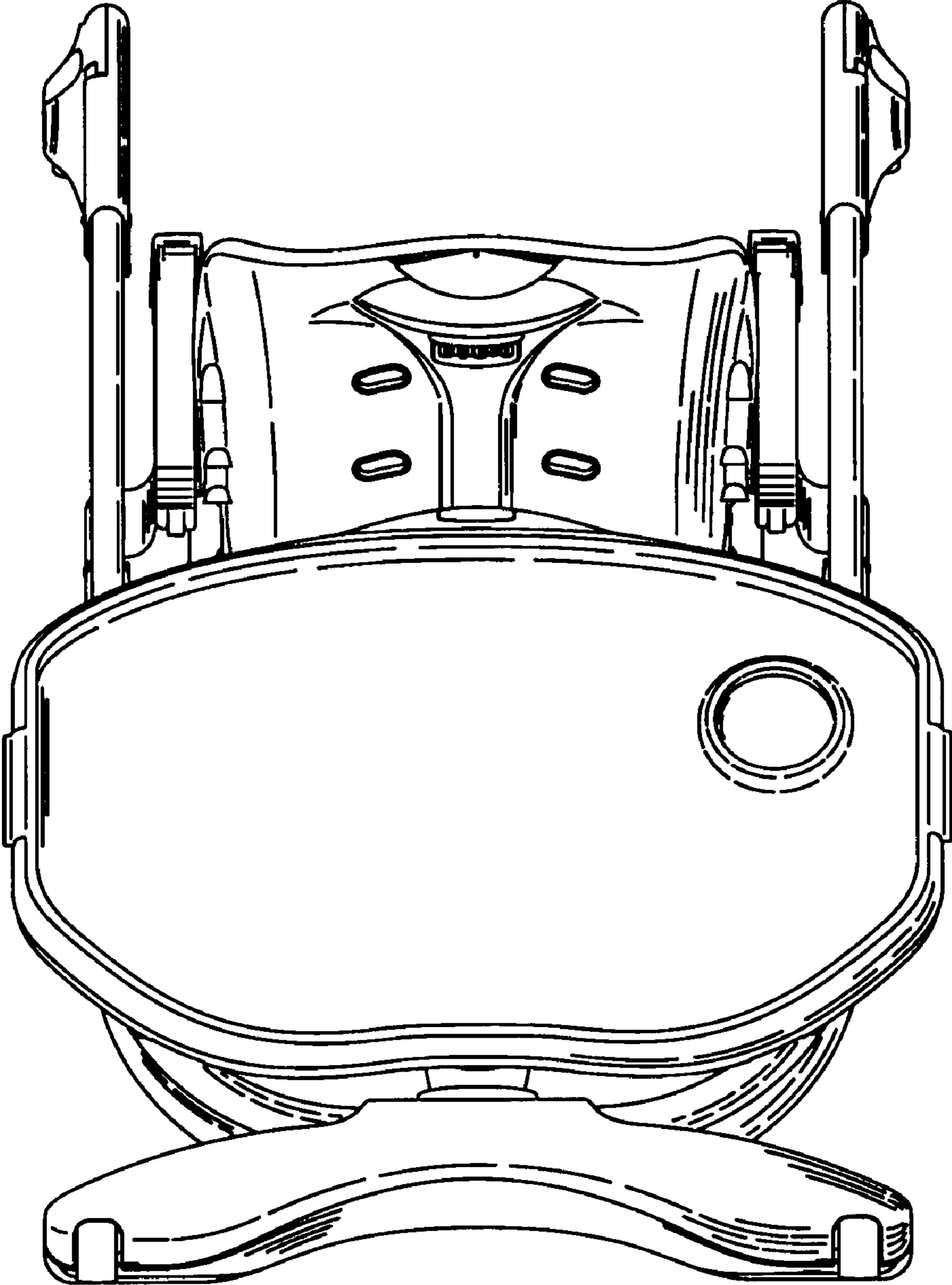


Fig. 13

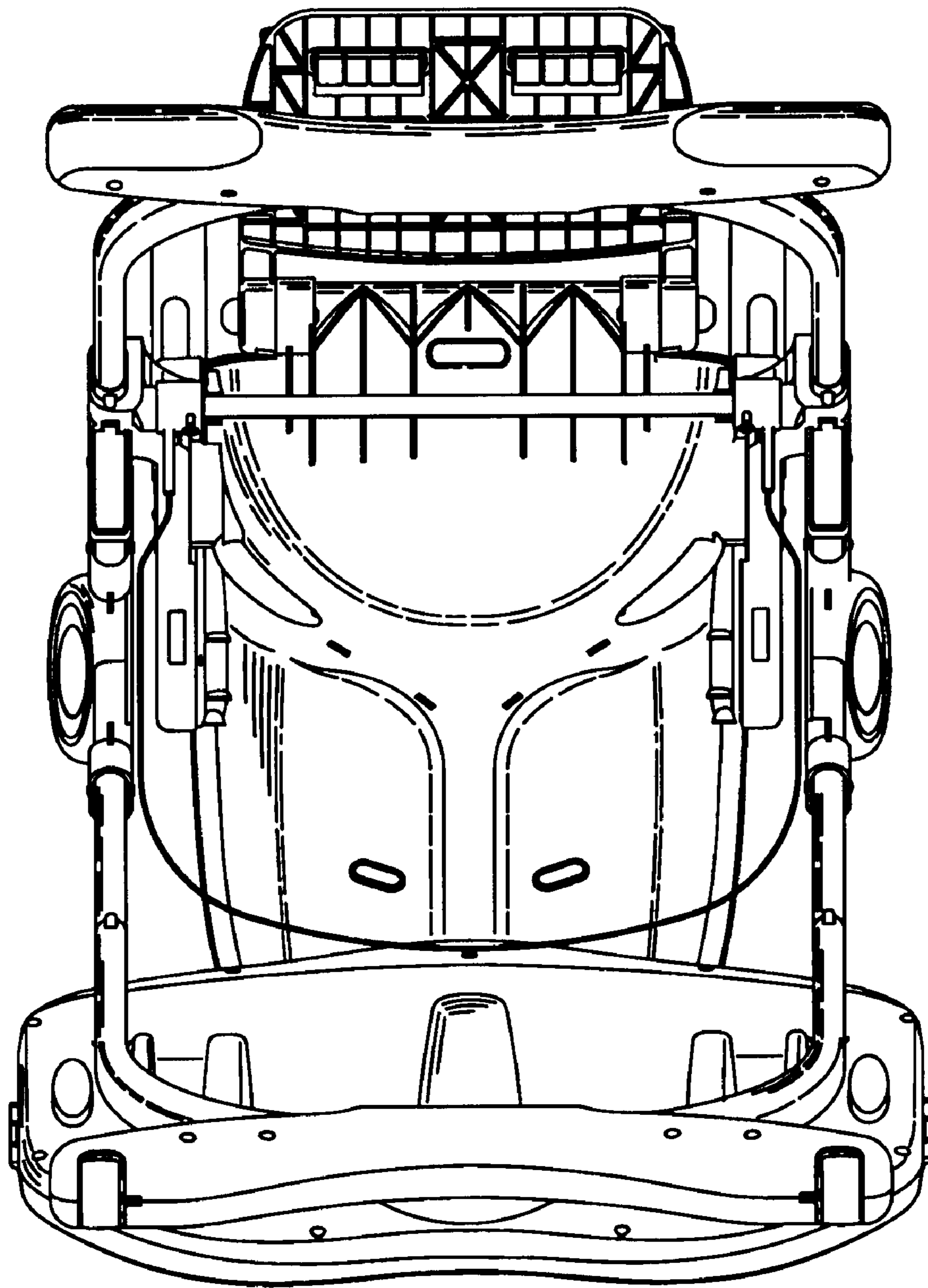


Fig. 14