



US00D579663S

(12) **United States Design Patent**
Hopper

(10) **Patent No.:** **US D579,663 S**

(45) **Date of Patent:** **** Nov. 4, 2008**

(54) **CASE**

D483,963 S * 12/2003 Cassel D6/446
D483,965 S * 12/2003 Cassel D6/448
D520,745 S * 5/2006 Hussaini et al. D3/283

(76) Inventor: **Simon Hopper**, Heng Su, Ling Jiawu
Village, Wenyan Town, Xiao Shen,
Hangzhou (CN) 311358

* cited by examiner

(**) Term: **14 Years**

Primary Examiner—Louis S Zarfaz

Assistant Examiner—Kathleen M Sims

(21) Appl. No.: **29/263,475**

(74) *Attorney, Agent, or Firm*—The Gregory Firm

(22) Filed: **Jul. 24, 2006**

(57) **CLAIM**

(51) **LOC (8) Cl.** **03-01**

The ornamental design for a case, as shown and described.

(52) **U.S. Cl.** **D3/321**

(58) **Field of Classification Search** D3/273,
D3/276, 283, 285–287, 289–290, 294, 318;
190/100, 109, 112, 903; 150/117; D6/432,
D6/441, 445–446, 448, 509–510; D19/75;
312/204; 206/508

DESCRIPTION

See application file for complete search history.

FIG. 1 is a perspective view of a case showing my new design;
FIG. 2 is a top plan view thereof; and,
FIG. 3 is a front elevation view thereof.

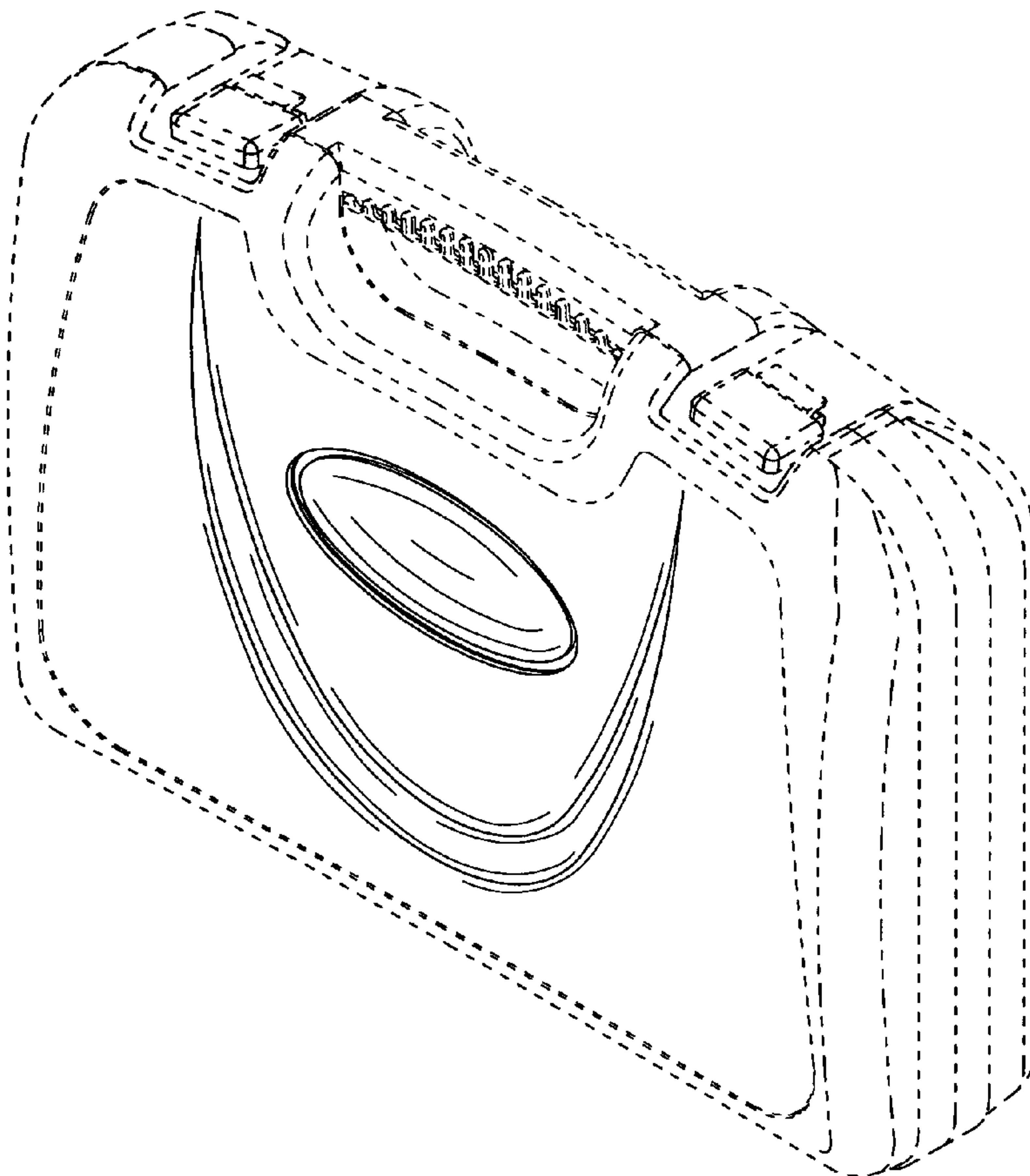
The broken line showing of a case in FIGS. 1–3 is included for
the purpose of illustrating environmental portions of the case
and forms no part of the claimed design.

(56) **References Cited**

U.S. PATENT DOCUMENTS

D439,777 S * 4/2001 Laughton D6/510
D465,364 S * 11/2002 Childs et al. D9/435

1 Claim, 2 Drawing Sheets



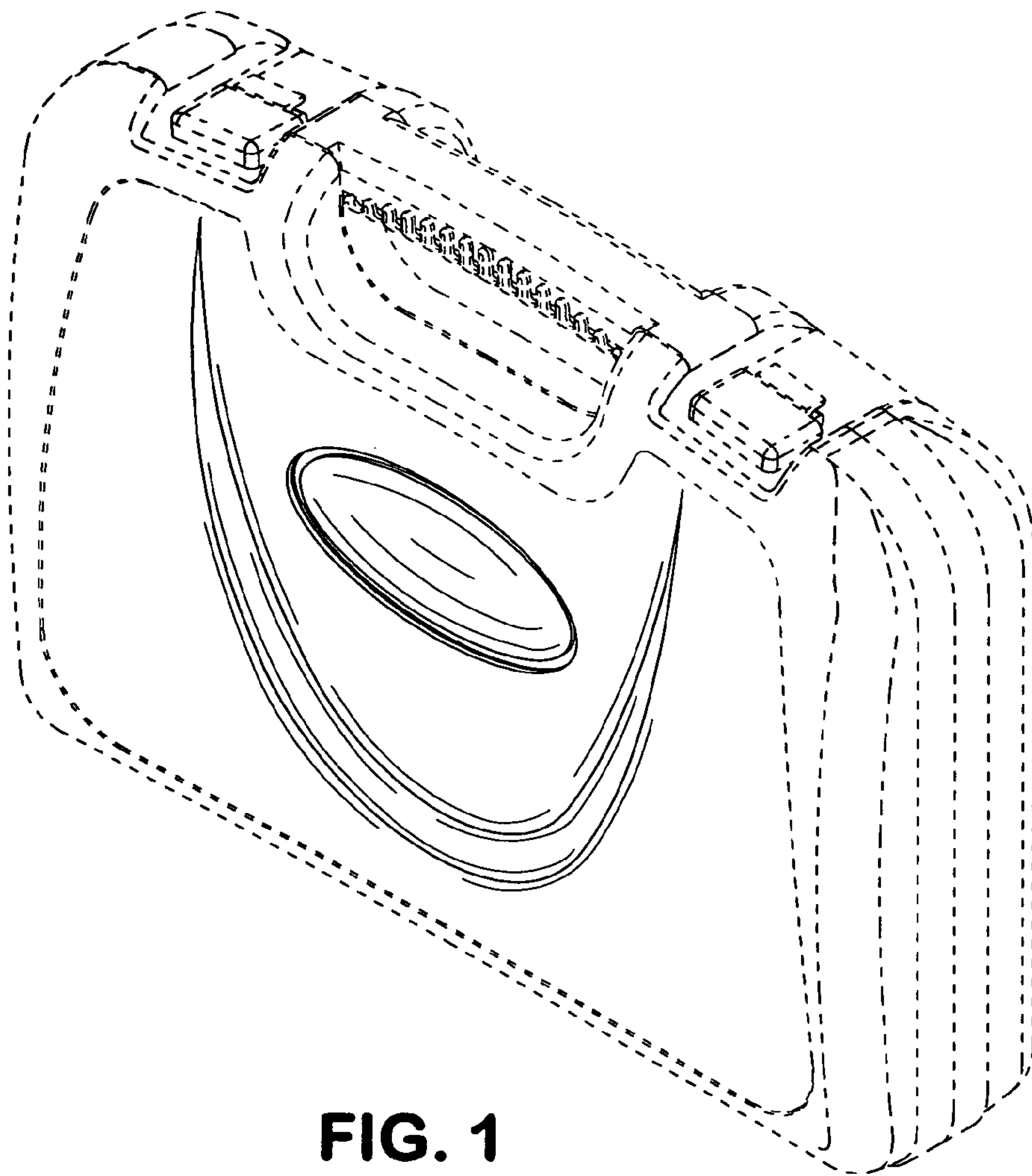


FIG. 1

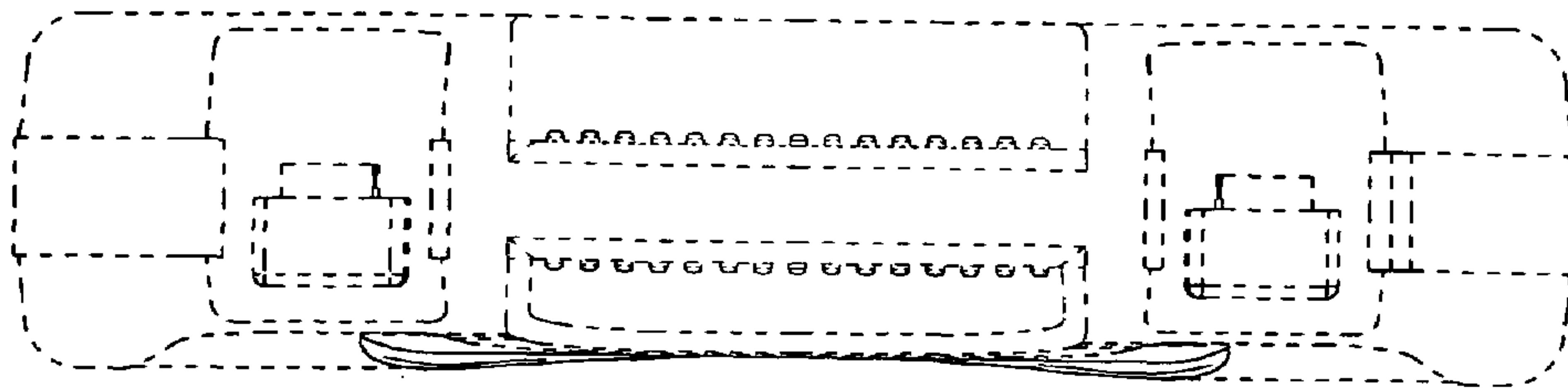


FIG. 2

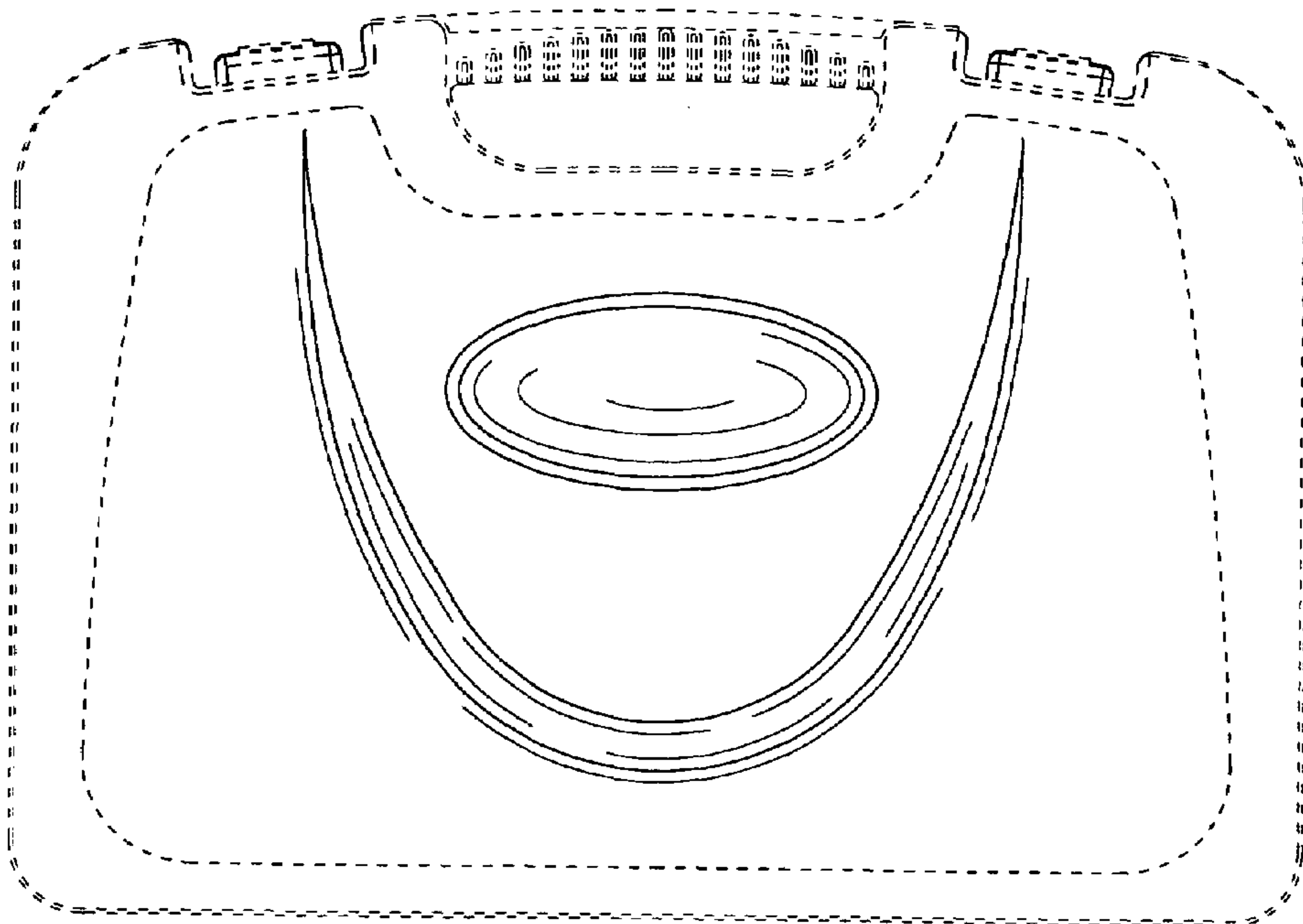


FIG. 3