



US00D579658S

(12) **United States Design Patent**  
**Weng et al.**

(10) **Patent No.:** **US D579,658 S**

(45) **Date of Patent:** **\*\* Nov. 4, 2008**

(54) **TOOLBOX**

(75) Inventors: **Xinyue Weng**, Zhejiang (CN); **Haijun Qiu**, Zhejiang (CN); **Genlong Li**, Zhejiang (CN)

(73) Assignee: **Ningbo Xingu Artist Machinery Manufactures Co. Ltd.**, Lubu Town, Yuyao, Zhejiang (CN)

(\*\*) Term: **14 Years**

(21) Appl. No.: **29/296,505**

(22) Filed: **Oct. 22, 2007**

(30) **Foreign Application Priority Data**

Apr. 23, 2007 (CN) ..... 2007 3 0115457

(51) **LOC (8) Cl.** ..... **03-01**

(52) **U.S. Cl.** ..... **D3/294; D3/272; D3/905**

(58) **Field of Classification Search** ..... D3/272-273, D3/276, 281, 291, 294-295, 302, 905; D6/440, D6/432, 434; D7/605; D12/414.1; 190/19; 206/349, 372-373, 823

See application file for complete search history.

(56) **References Cited**

**U.S. PATENT DOCUMENTS**

1,015,604 A \* 1/1912 Wilt et al. .... 190/11  
D71,800 S \* 1/1927 Jones et al. .... D3/272  
D76,198 S \* 8/1928 McArdle ..... D3/272

1,718,134 A \* 6/1929 Gallion ..... 190/19  
D80,667 S \* 3/1930 Berger ..... D3/272  
D88,346 S \* 11/1932 Fleisig ..... D21/519  
D129,108 S \* 8/1941 Sprague ..... D3/268  
2,439,660 A \* 4/1948 Keil ..... 280/37  
D294,539 S \* 3/1988 Coggins ..... D6/336  
D351,502 S \* 10/1994 Weir et al. .... D3/272  
D419,766 S \* 2/2000 Rekuc ..... D3/272  
D497,252 S \* 10/2004 Perella et al. .... D3/294  
D528,795 S \* 9/2006 Perella et al. .... D3/297  
D529,287 S \* 10/2006 Perella et al. .... D3/294

\* cited by examiner

*Primary Examiner*—Philip Hyder

*Assistant Examiner*—Roselynn Cody

(74) *Attorney, Agent, or Firm*—Global IP Services; Tianhua Gu

(57) **CLAIM**

The ornamental design for a toolbox, as shown and described.

**DESCRIPTION**

FIG. 1 is a perspective view of a toolbox showing my new design; and

FIG. 2 is a front view thereof;

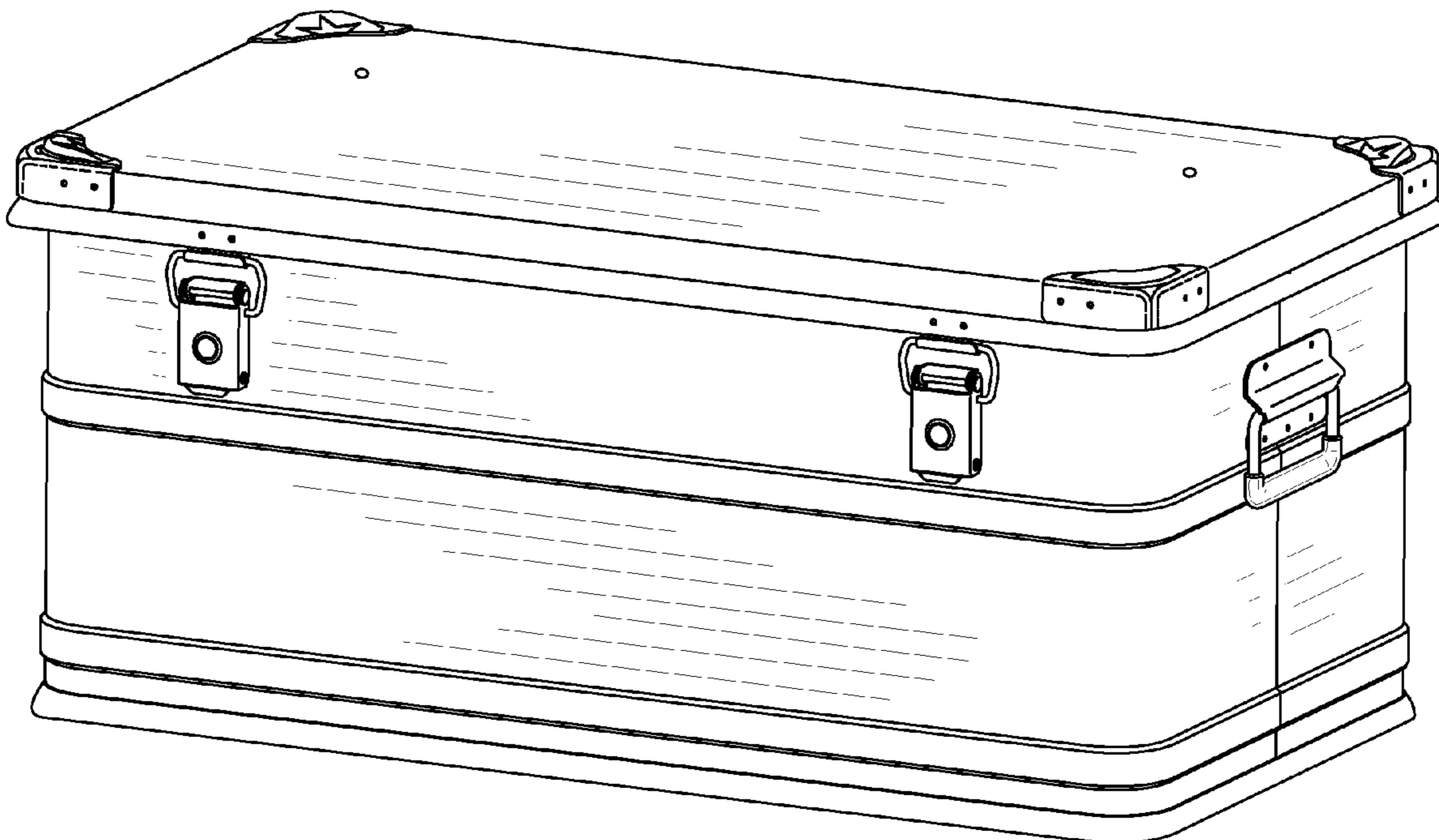
FIG. 3 is a rear view thereof;

FIG. 4 is a left side view thereof;

FIG. 5 is a right side view thereof; and,

FIG. 6 is a top plan view thereof.

**1 Claim, 4 Drawing Sheets**



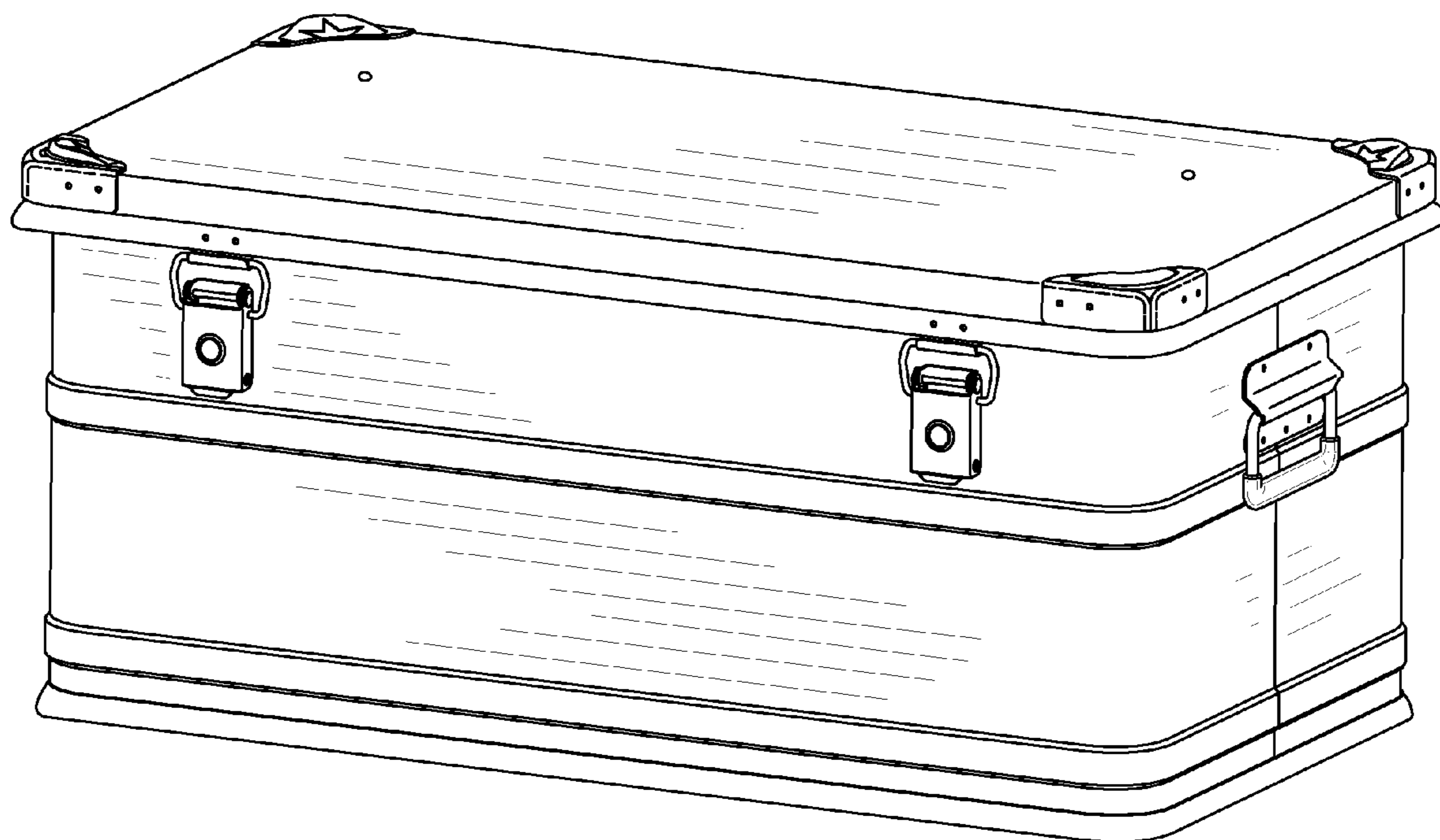


Fig. 1

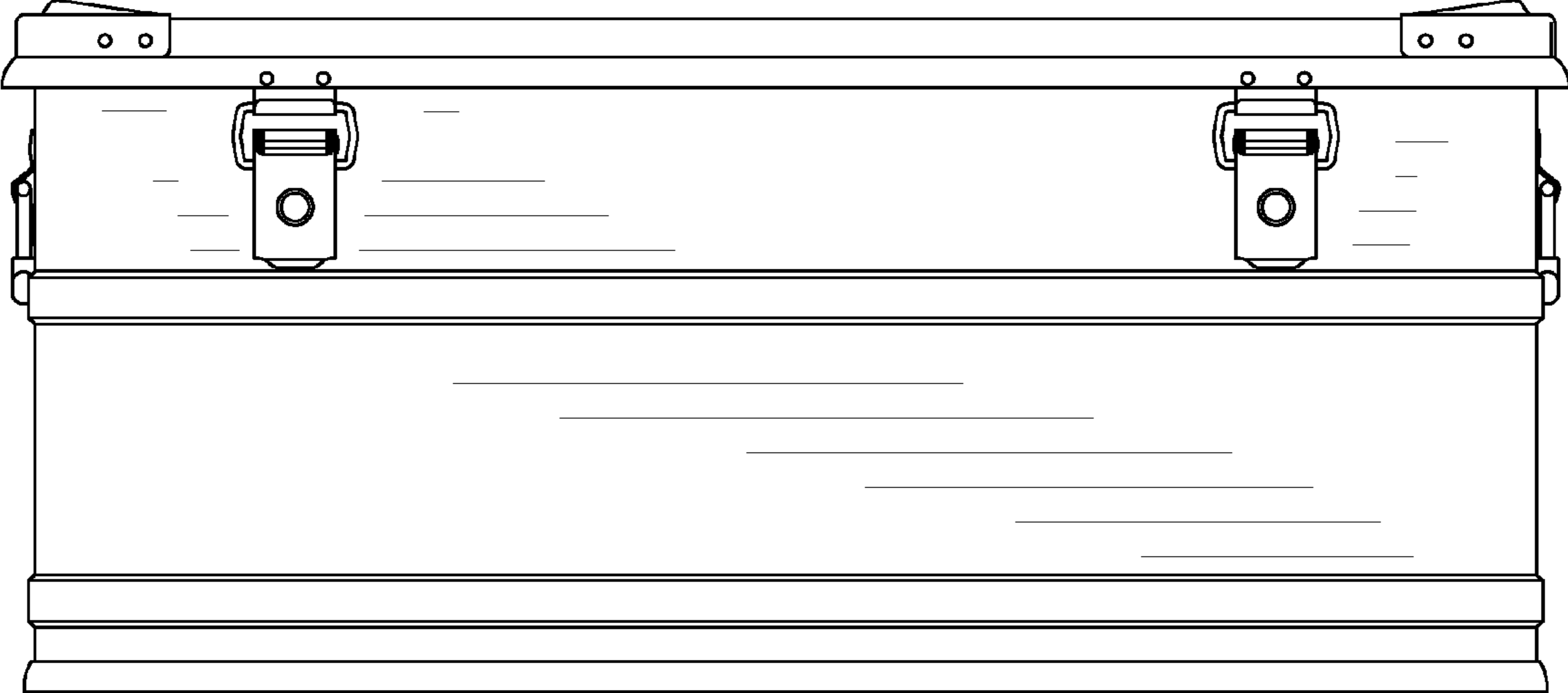


Fig. 2



Fig. 3

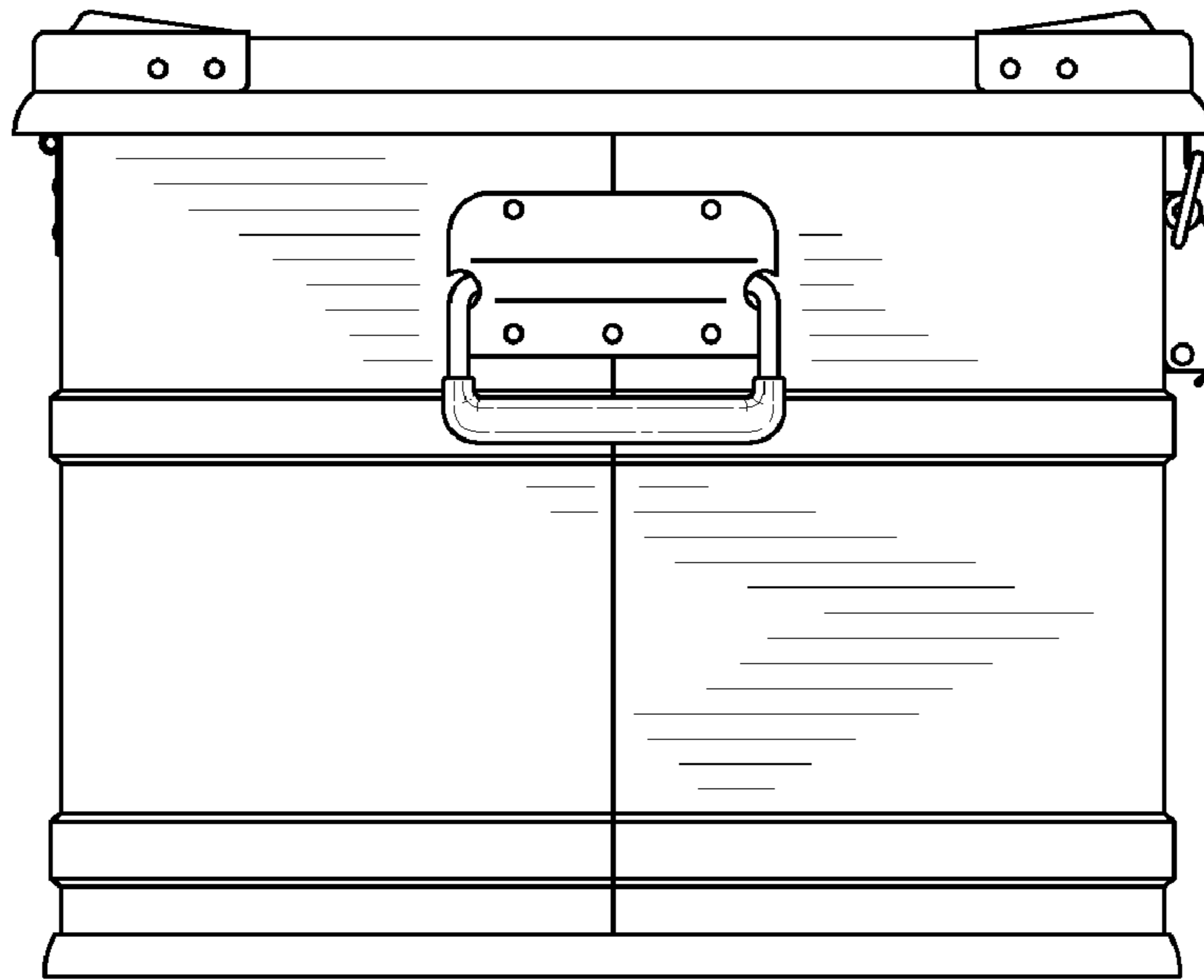


Fig. 4

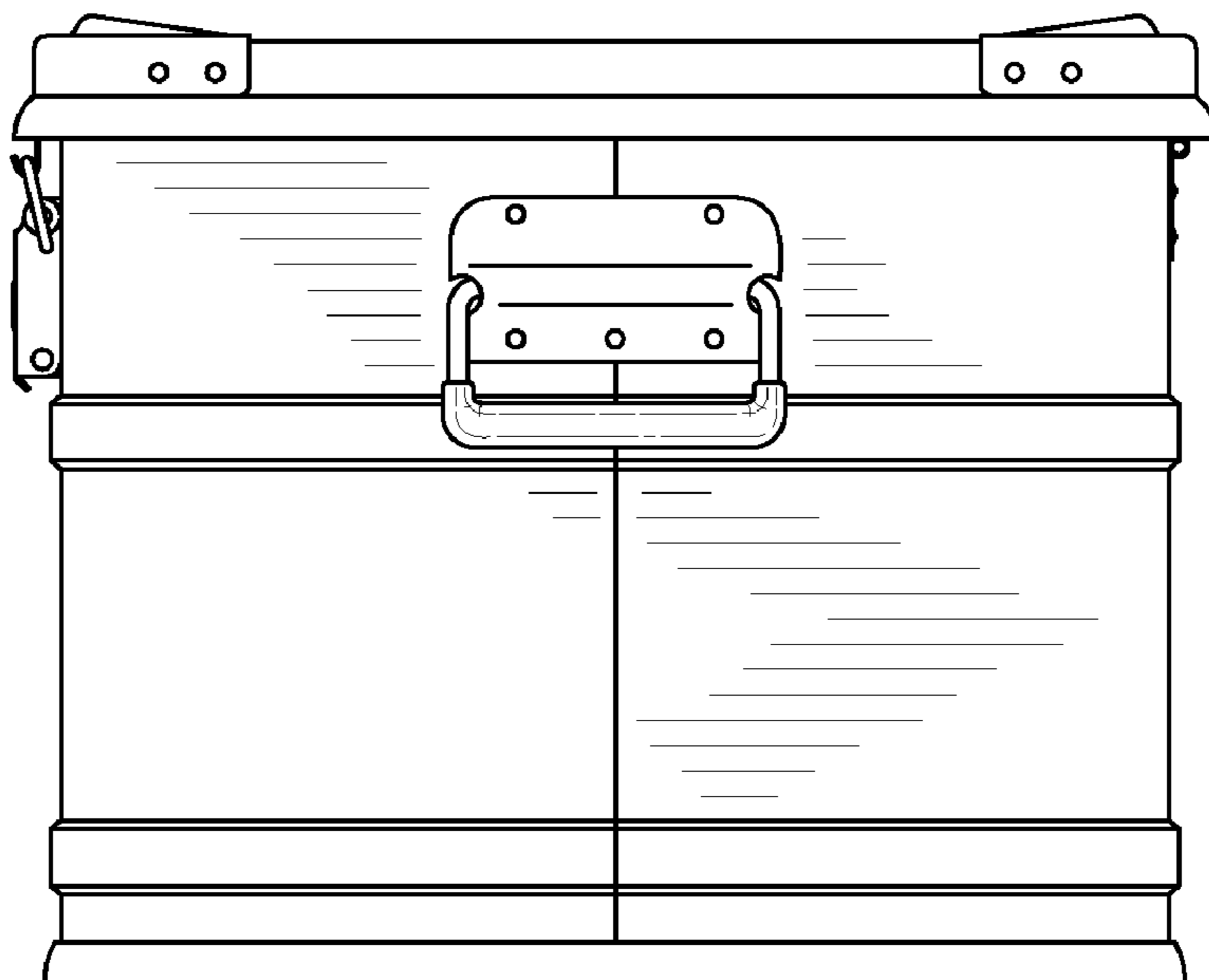


Fig. 5

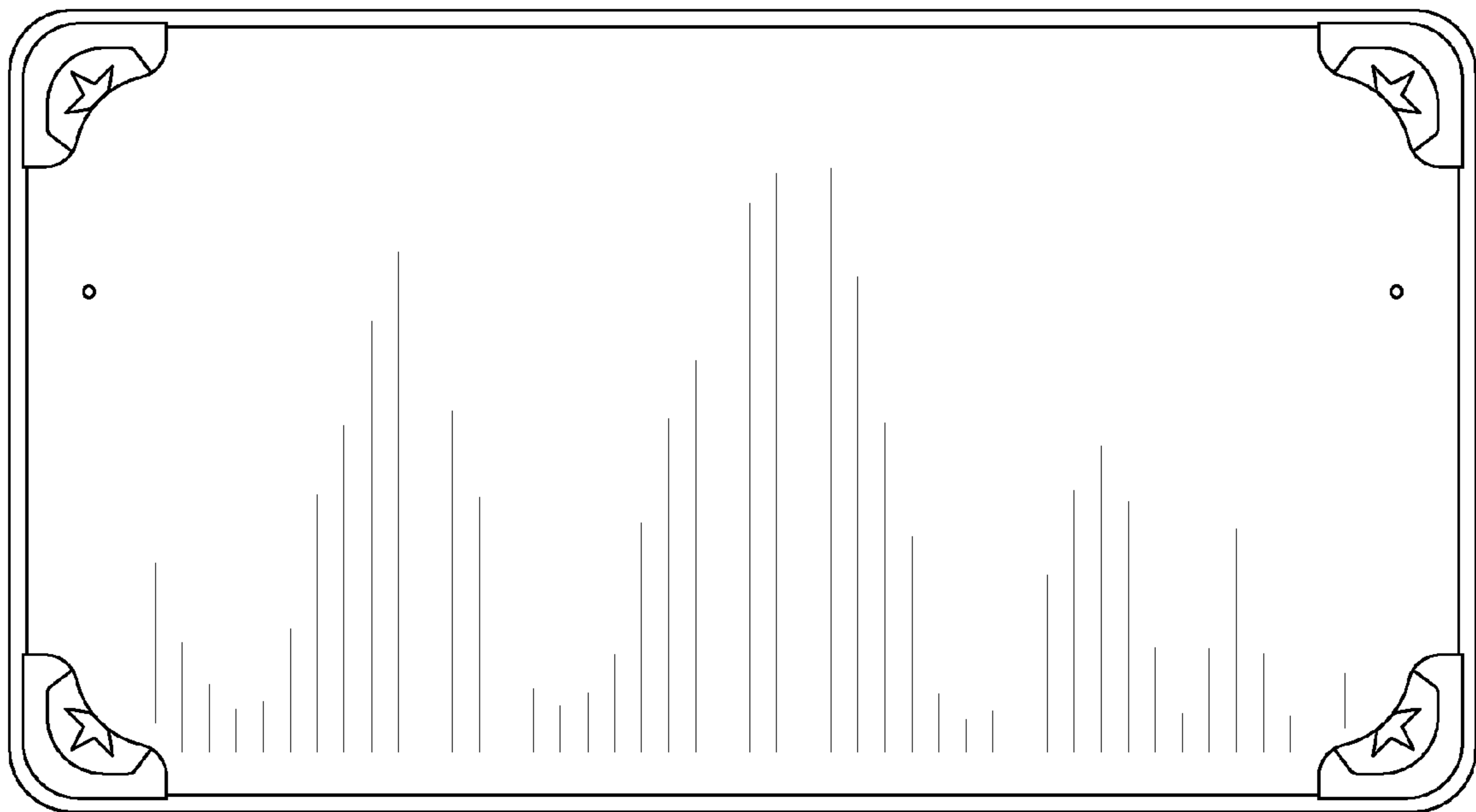


Fig. 6

UNITED STATES PATENT AND TRADEMARK OFFICE  
**CERTIFICATE OF CORRECTION**

PATENT NO. : Des. 579,658 S  
APPLICATION NO. : 29/296505  
DATED : November 4, 2008  
INVENTOR(S) : Xinyue Weng

Page 1 of 1

It is certified that error appears in the above-identified patent and that said Letters Patent is hereby corrected as shown below:

Title Page

Item (73) Assignee should read:

Ningbo Xinyue Artist Machinery Manufactures  
Co., Ltd. No. 7 S. Shunsun St., Jiangnan  
Village, Lubu Town, Yuyao, Zhejiang (CN)

Signed and Sealed this

Seventh Day of April, 2009



JOHN DOLL

*Acting Director of the United States Patent and Trademark Office*