



US00D579645S

(12) **United States Design Patent**
Guers-Neyraud

(10) **Patent No.:** **US D579,645 S**
(45) **Date of Patent:** **** Nov. 4, 2008**

(54) **PORTION OF A BOOT**

D448,144 S * 9/2001 Jacobs D2/911
D543,339 S * 5/2007 Choi D2/946
D548,943 S 8/2007 Choi

(75) Inventor: **Elisabeth Guers-Neyraud**, Paris (FR)

(73) Assignee: **J. Choo Limited**, London (GB)

(**) Term: **14 Years**

(21) Appl. No.: **29/289,517**

(22) Filed: **Jul. 23, 2007**

(30) **Foreign Application Priority Data**

Jan. 24, 2007 (EM) 000660592-018

(51) **LOC (8) Cl.** **02-99**

(52) **U.S. Cl.** **D2/970**

(58) **Field of Classification Search** D2/901,
D2/909, 911, 925, 946, 969, 970, 971; 36/45,
36/50.1, 83, 89, 102, 113, 114, 131
See application file for complete search history.

(56) **References Cited**

U.S. PATENT DOCUMENTS

1,154,109 A * 9/1915 Flannigan 36/50.1
1,165,874 A * 12/1915 Hale 36/50.1
D064,104 S 2/1924 Kazy
D073,044 S 7/1927 Lord
1,684,660 A * 9/1928 Blair 36/50.1
D104,880 S * 6/1937 Rosenfield D2/901
2,426,403 A * 8/1947 Margulis 36/50.1
D164,977 S * 10/1951 Bingham 2/911
D239,341 S * 3/1976 Heckel D2/911

OTHER PUBLICATIONS

U.S. Design Appl. No. 29/289,516, filed on Jul. 23, 2007.
U.S. Design Appl. No. 29/289,289, filed on Jul. 12, 2007.

* cited by examiner

Primary Examiner—Dominic Simone
Assistant Examiner—Rashida C McCoy

(74) *Attorney, Agent, or Firm*—Fross Zelnick Lehrman &
Zissu, P.C.; Lawrence E. Apolzon, Esq.

(57) **CLAIM**

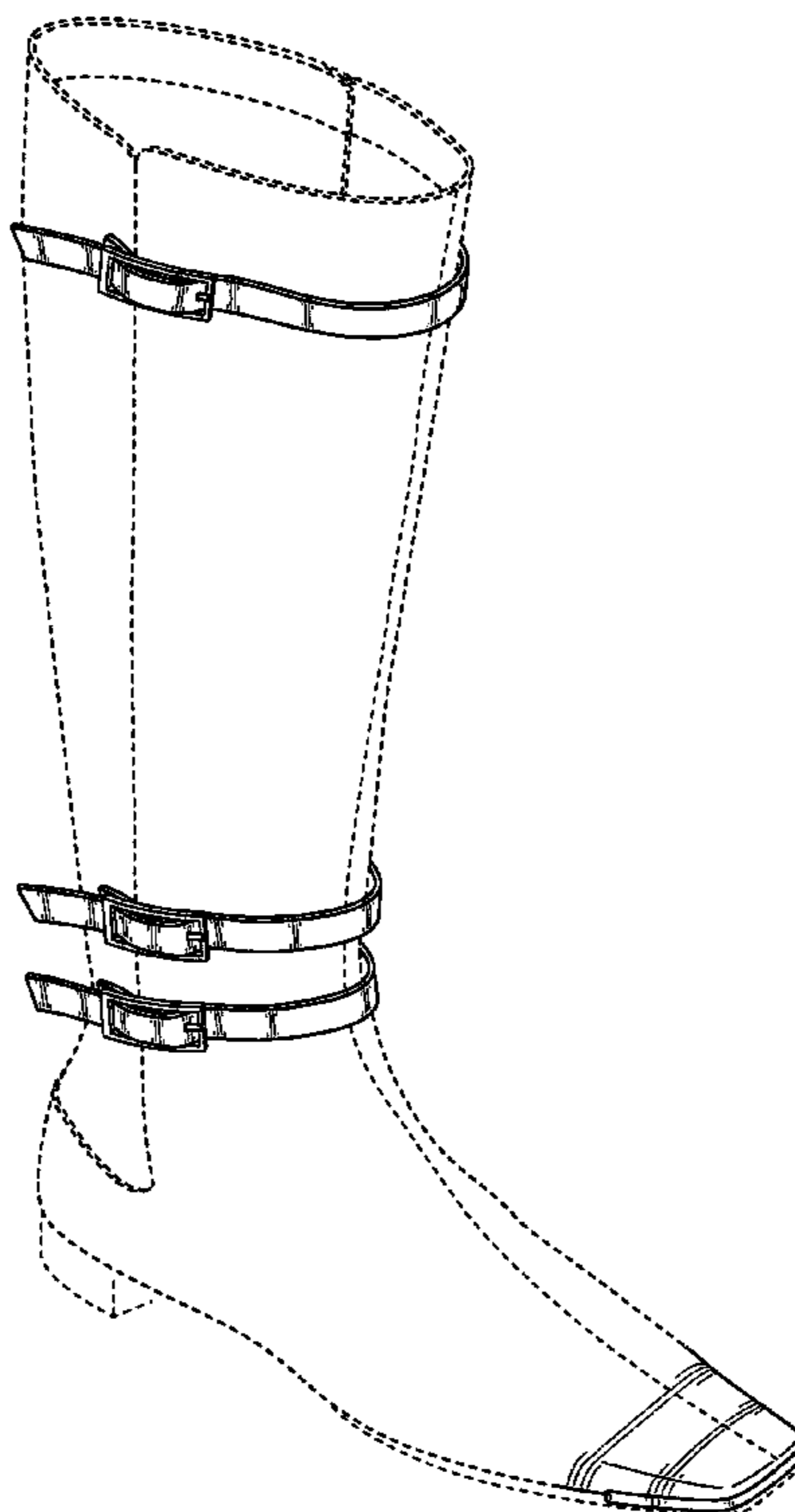
The ornamental design for a portion of a boot, as shown and described.

DESCRIPTION

FIG. 1 is a front perspective view of a portion of a boot, showing my new design;
FIG. 2 is a left side view thereof;
FIG. 3 is a right side view thereof;
FIG. 4 is a front view thereof; and,
FIG. 5 is a top view thereof.

The broken line showing of the heel, sole, portions of the boot is for illustrative purposes only and forms no part of the claimed design.

1 Claim, 5 Drawing Sheets



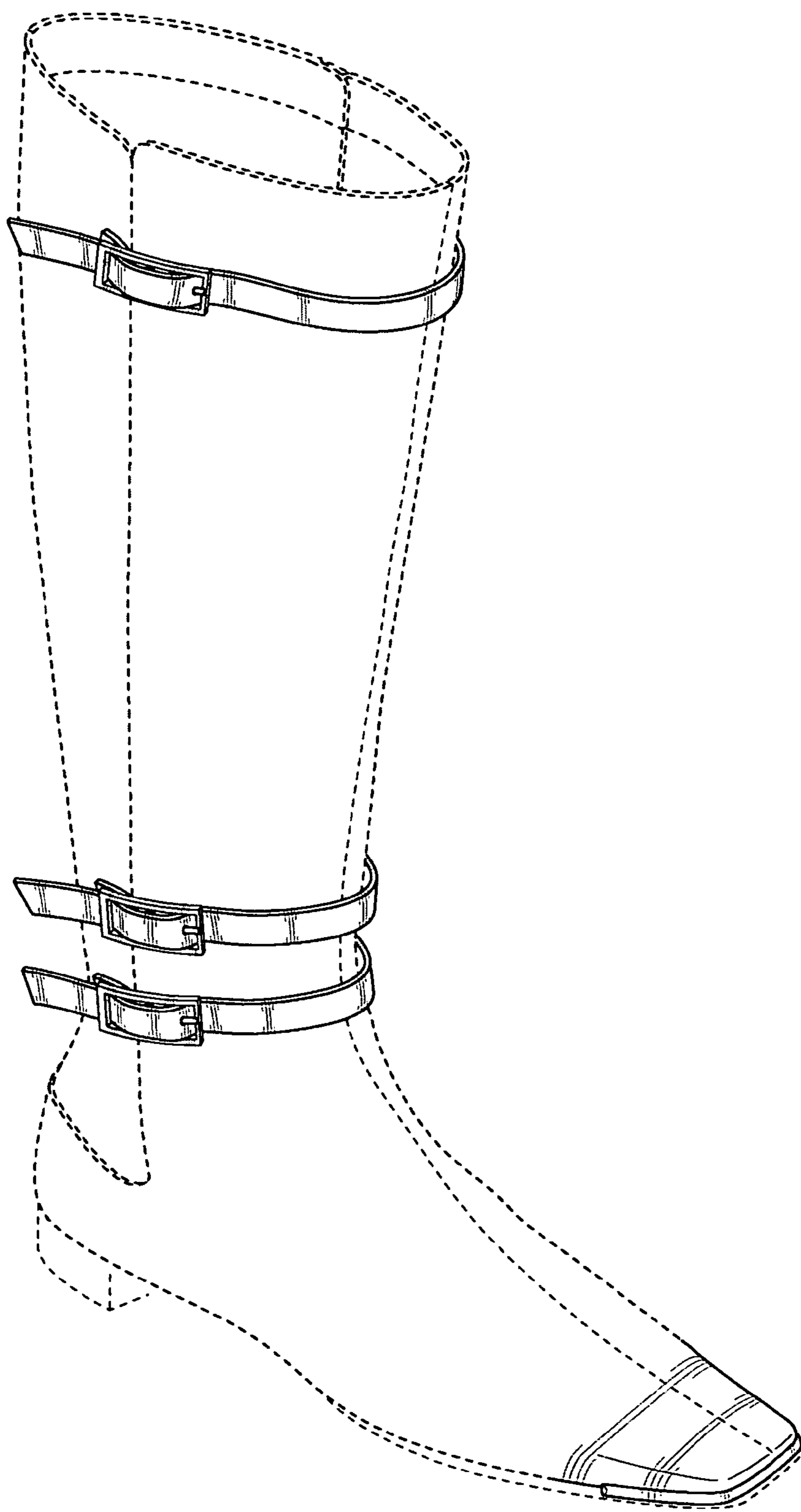


FIG. 1

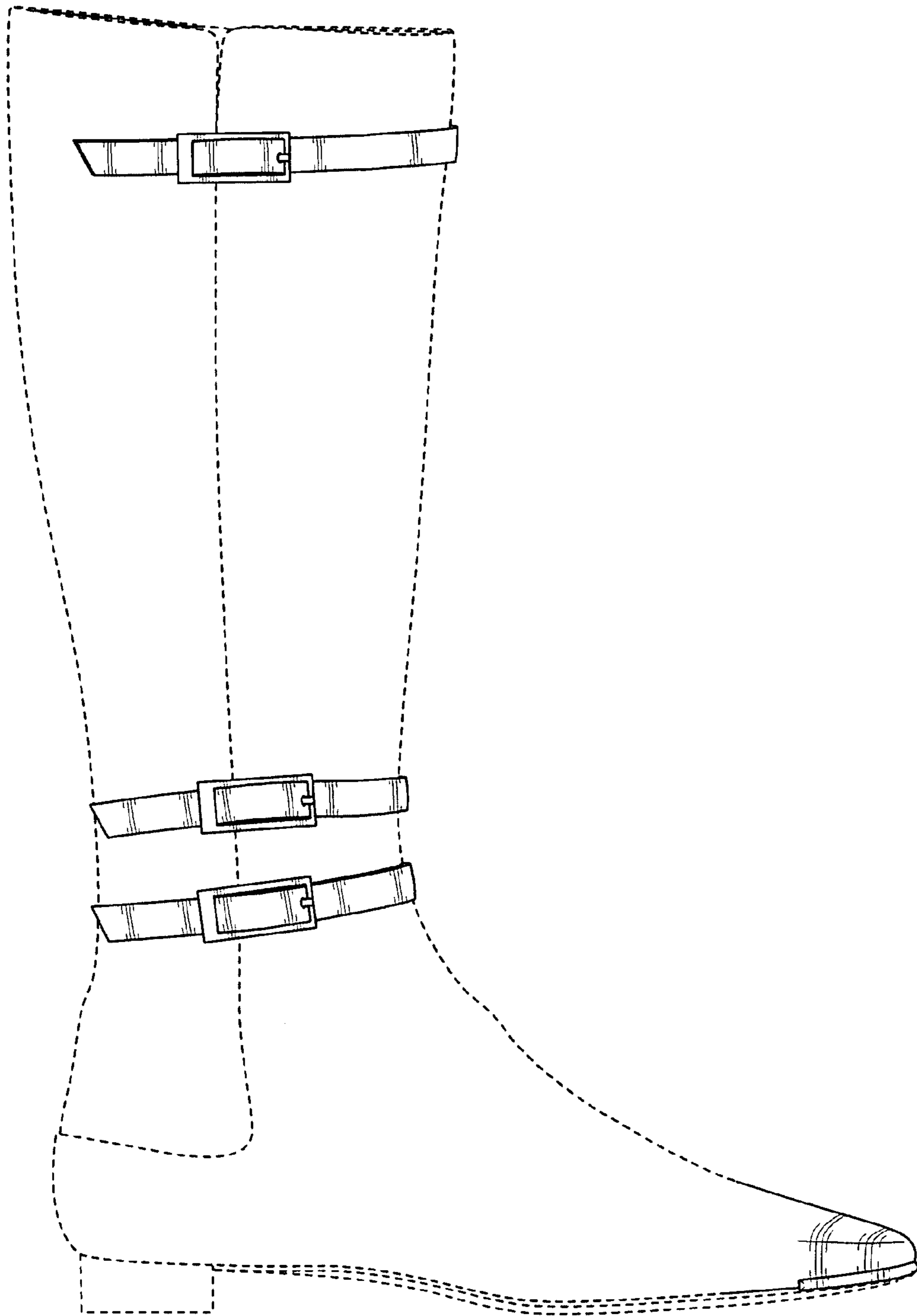


FIG. 2

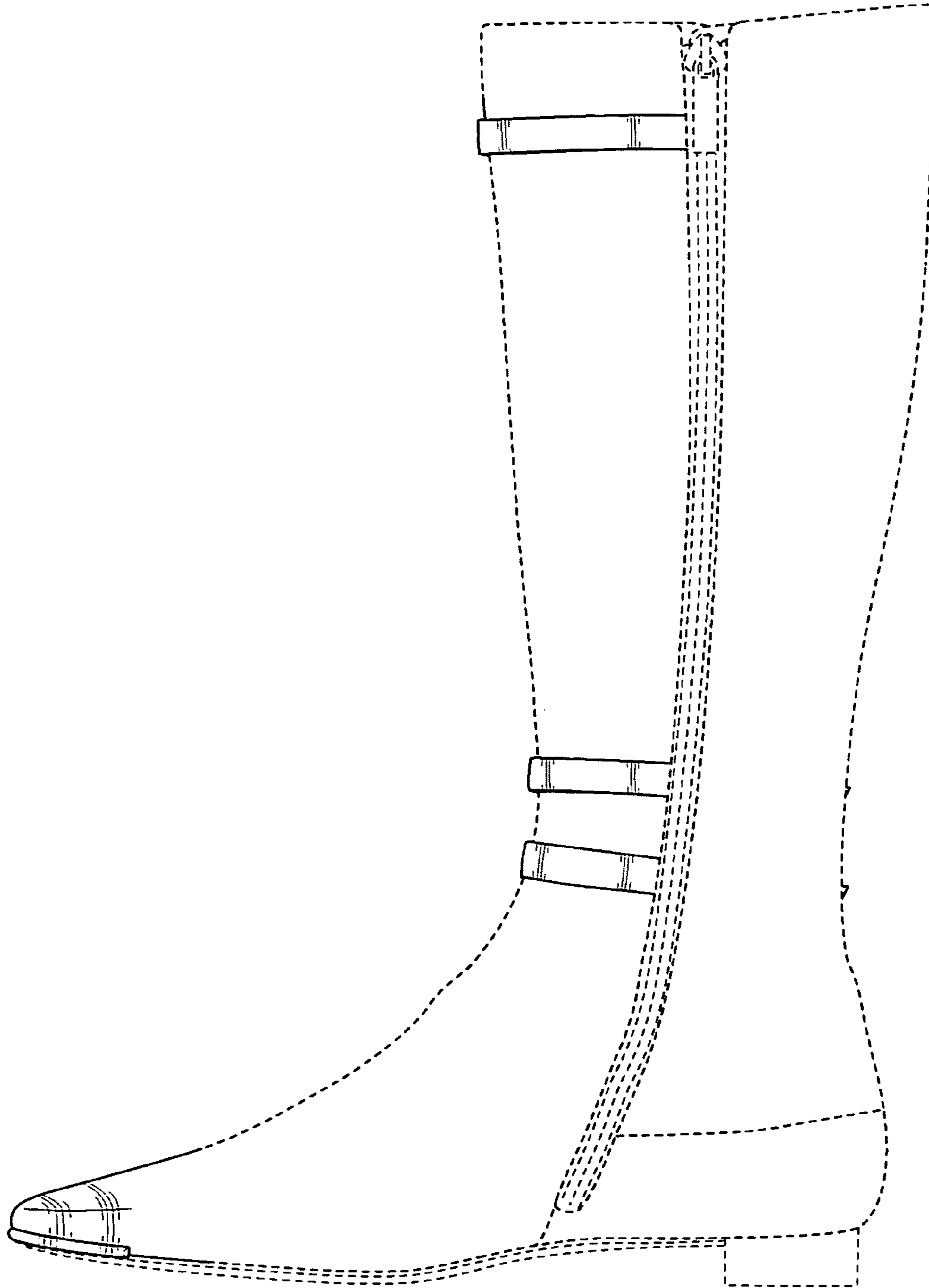


FIG. 3

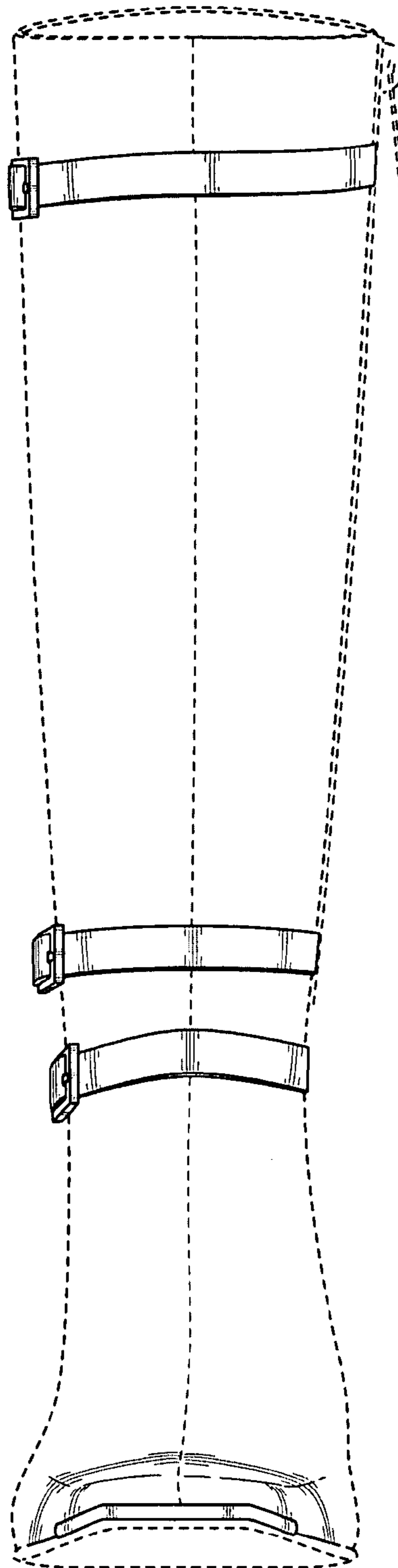


FIG. 4

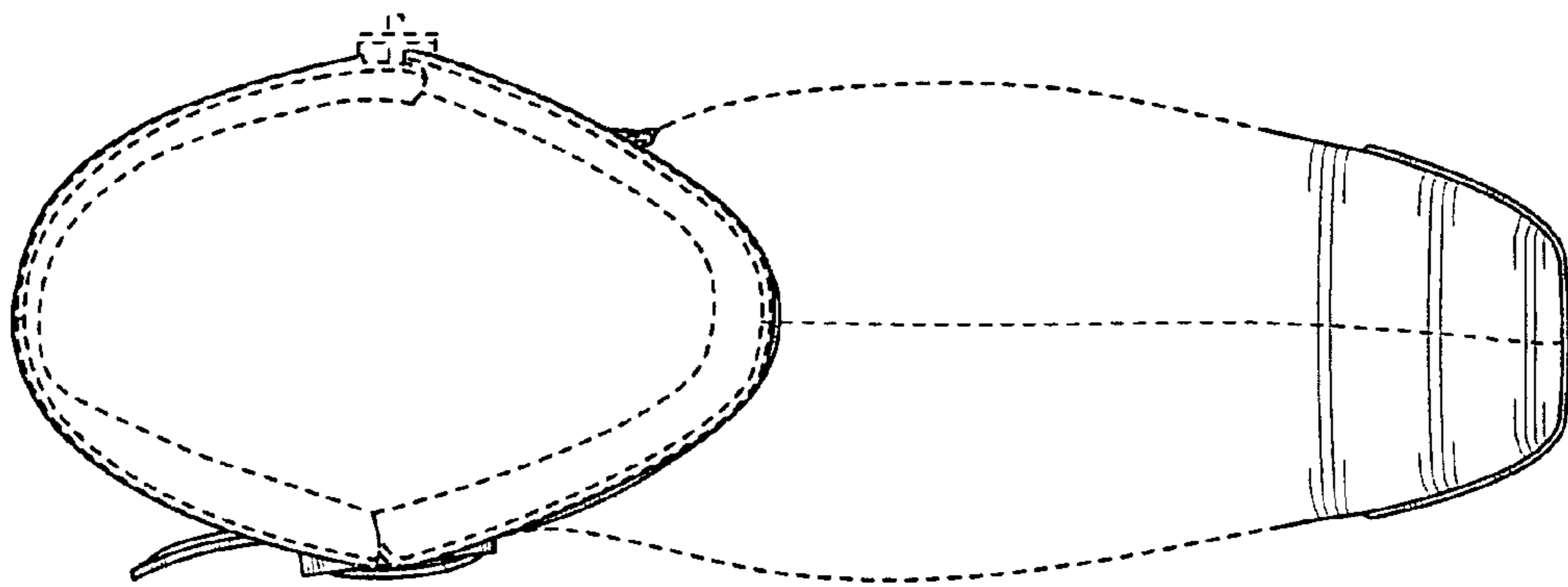


FIG. 5