



US00D579638S

(12) **United States Design Patent**  
**Lin**

(10) **Patent No.:** **US D579,638 S**

(45) **Date of Patent:** **\*\* Nov. 4, 2008**

(54) **BASE OF A ROLLER SKATE SHOE**

(75) Inventor: **Su-Tsai Lin**, Taichung (TW)

(73) Assignee: **E-Dich International Co., Ltd.**,  
Taichung (TW)

(\*\*) Term: **14 Years**

(21) Appl. No.: **29/287,608**

(22) Filed: **Aug. 29, 2007**

(51) **LOC (8) Cl.** ..... **02-04**

(52) **U.S. Cl.** ..... **D2/946; D21/763; D21/771**

(58) **Field of Classification Search** ..... D2/896,  
D2/902, 904, 905, 906, 946, 947, 976; D3/261,  
D3/271.12, 279, 317; D21/760-765, 771,  
D21/779; 36/113, 114, 115, 116, 132, 134,  
36/136; 472/88-91

See application file for complete search history.

(56) **References Cited**

**U.S. PATENT DOCUMENTS**

|              |         |               |       |         |
|--------------|---------|---------------|-------|---------|
| D234,262 S * | 2/1975  | Willhoft      | ..... | D21/763 |
| D261,542 S * | 10/1981 | Landay et al. | ..... | D21/763 |
| D265,414 S * | 7/1982  | Riggs et al.  | ..... | D21/763 |
| D278,925 S * | 5/1985  | Scheller      | ..... | D21/763 |
| D346,417 S * | 4/1994  | Chen          | ..... | D21/763 |

|              |         |          |       |         |
|--------------|---------|----------|-------|---------|
| D353,863 S * | 12/1994 | Chen     | ..... | D21/764 |
| D363,964 S * | 11/1995 | Chen     | ..... | D21/764 |
| D367,510 S * | 2/1996  | Losi, II | ..... | D21/764 |
| D381,054 S * | 7/1997  | Cheng    | ..... | D21/764 |
| D426,864 S * | 6/2000  | Chang    | ..... | D21/779 |
| D465,538 S * | 11/2002 | Chen     | ..... | D21/771 |
| D484,558 S * | 12/2003 | Lo       | ..... | D21/764 |

\* cited by examiner

*Primary Examiner*—Prabhakar Deshmukh

*Assistant Examiner*—Elizabeth J Oswecki

(57) **CLAIM**

The ornamental design for a base of a roller skate shoe, as shown and described.

**DESCRIPTION**

FIG. 1 is a perspective view of a base of roller skate shoe showing my new design;

FIG. 2 is a front view thereof;

FIG. 3 is a back view thereof;

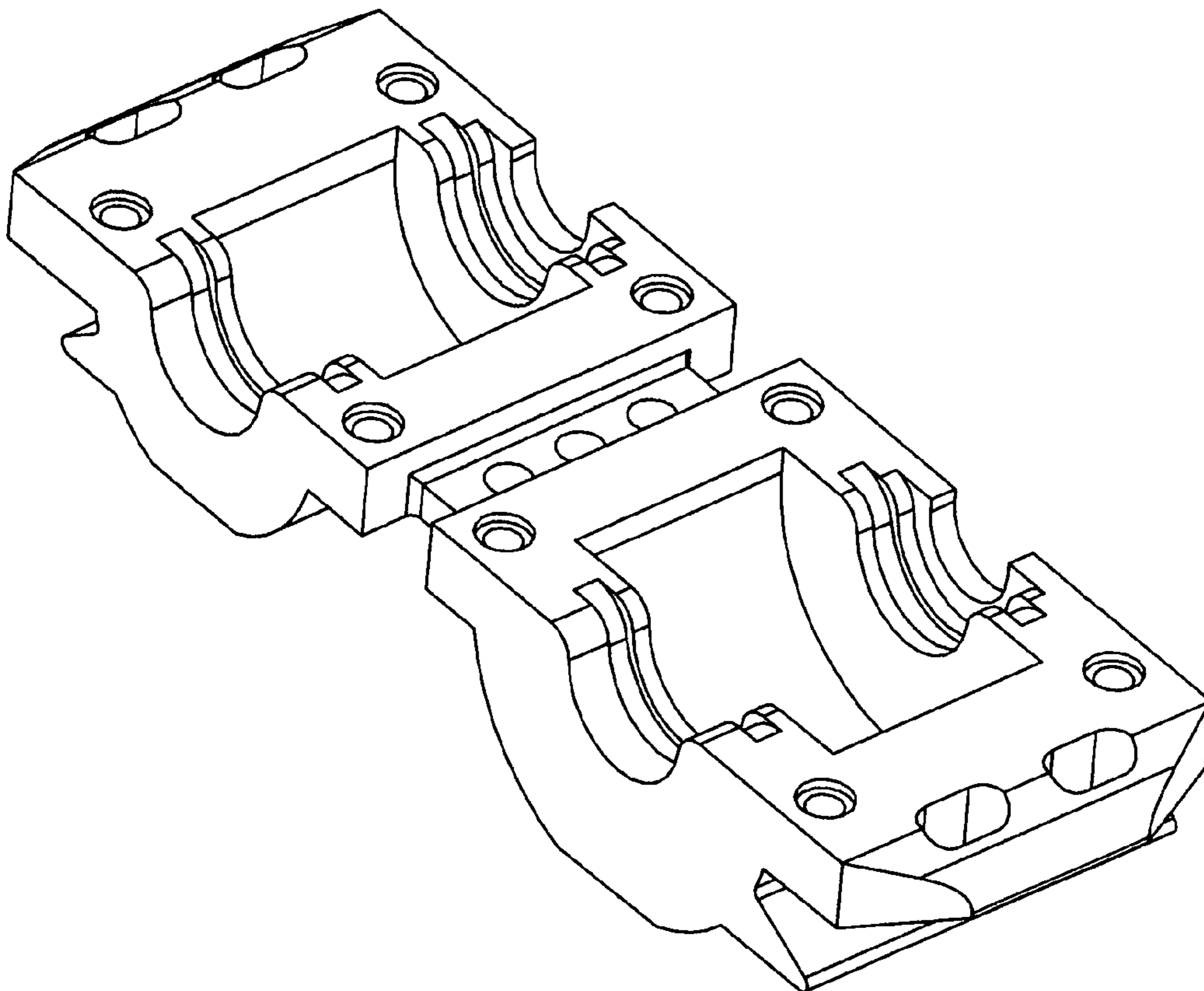
FIG. 4 is a left view thereof;

FIG. 5 is a right view thereof;

FIG. 6 is a top view thereof; and,

FIG. 7 is a bottom view thereof.

**1 Claim, 5 Drawing Sheets**



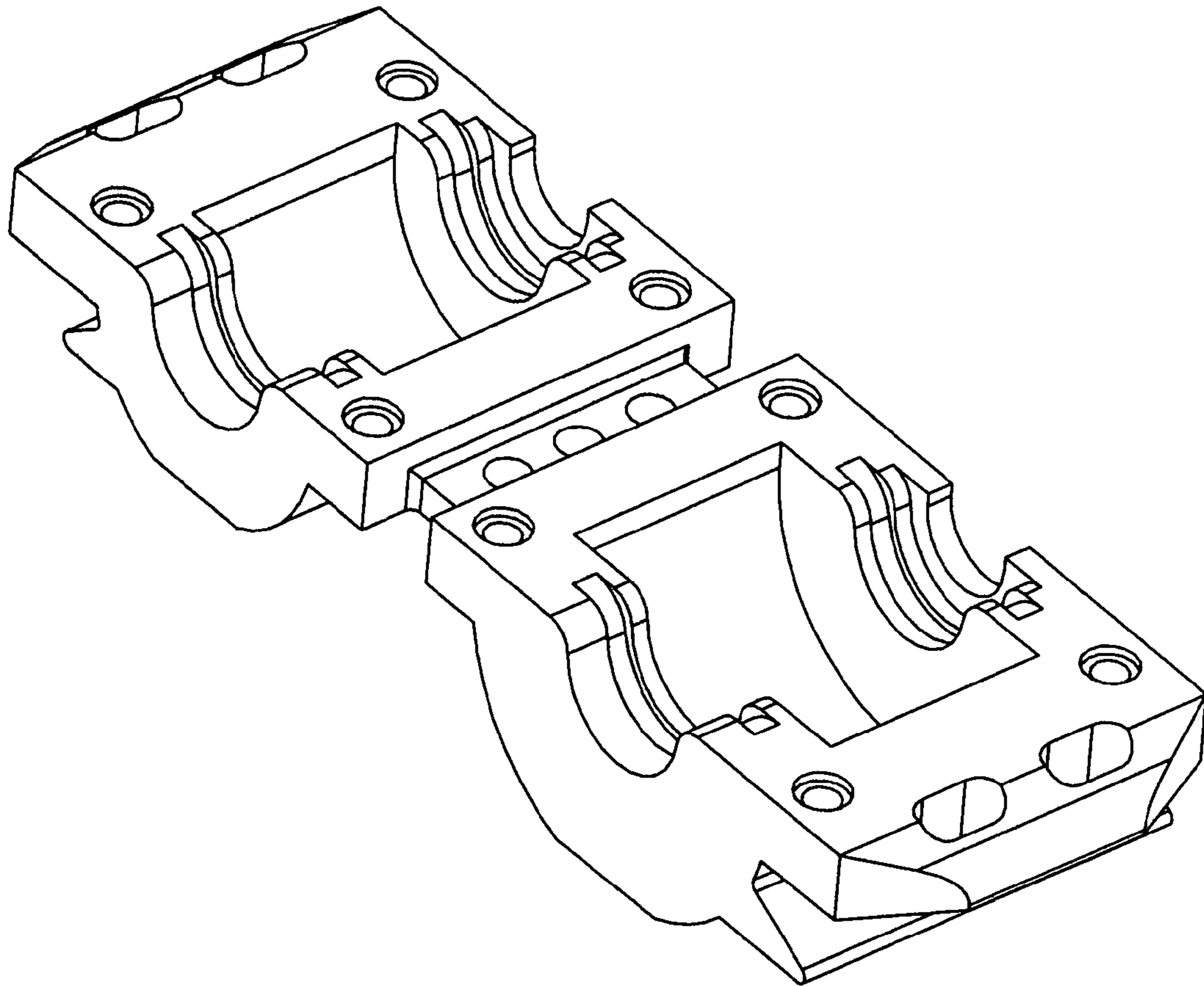


FIG.1

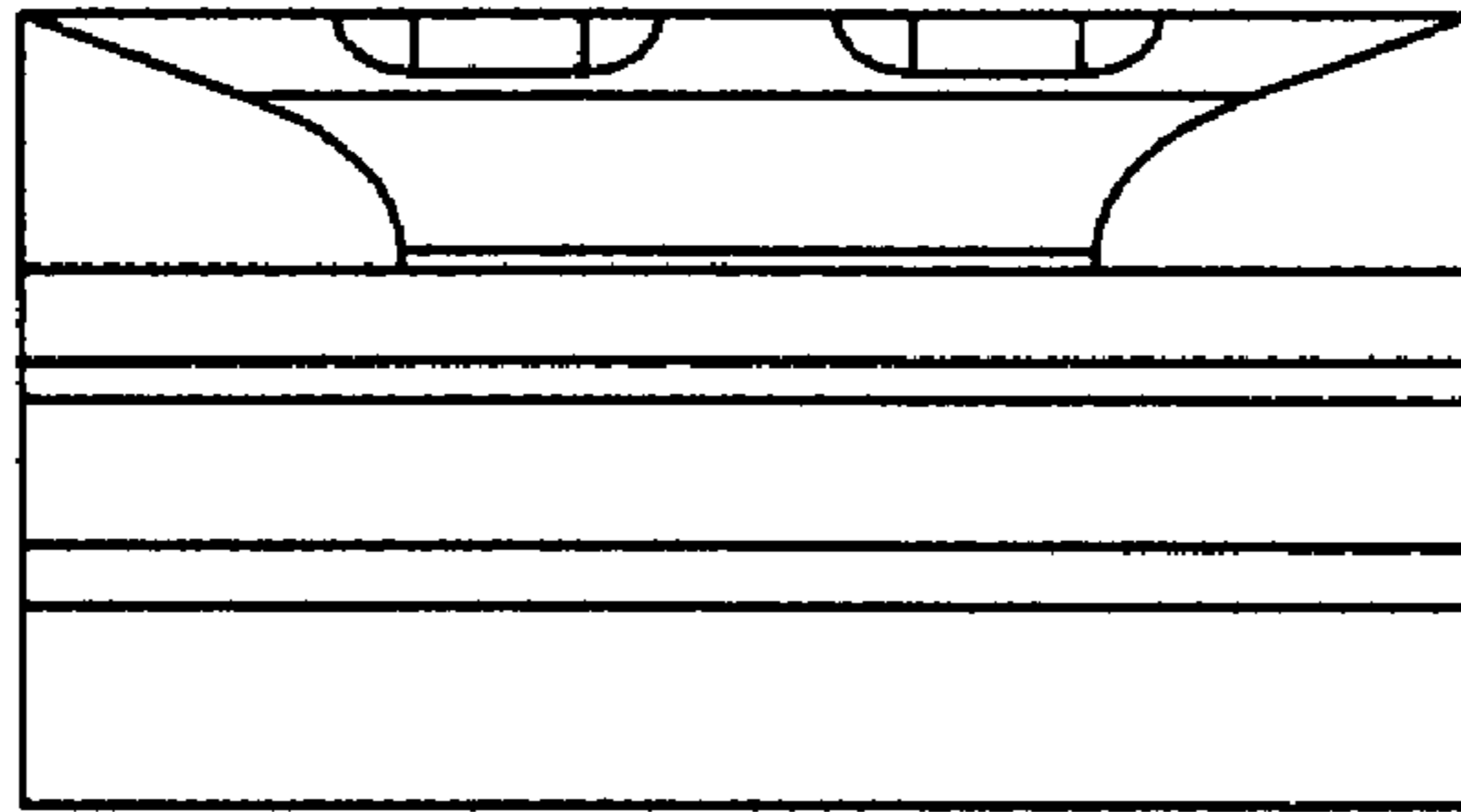


FIG. 2

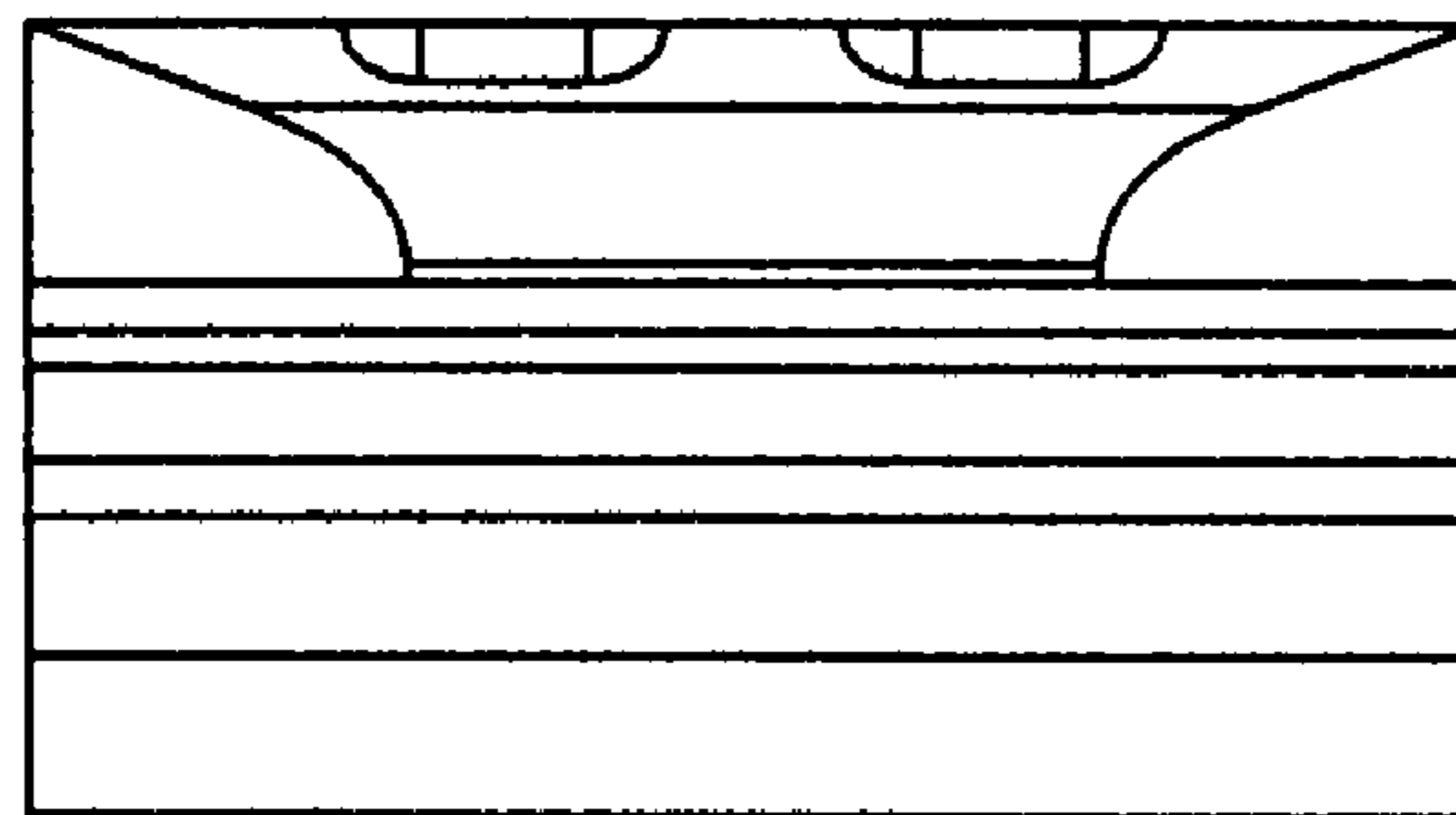


FIG. 3

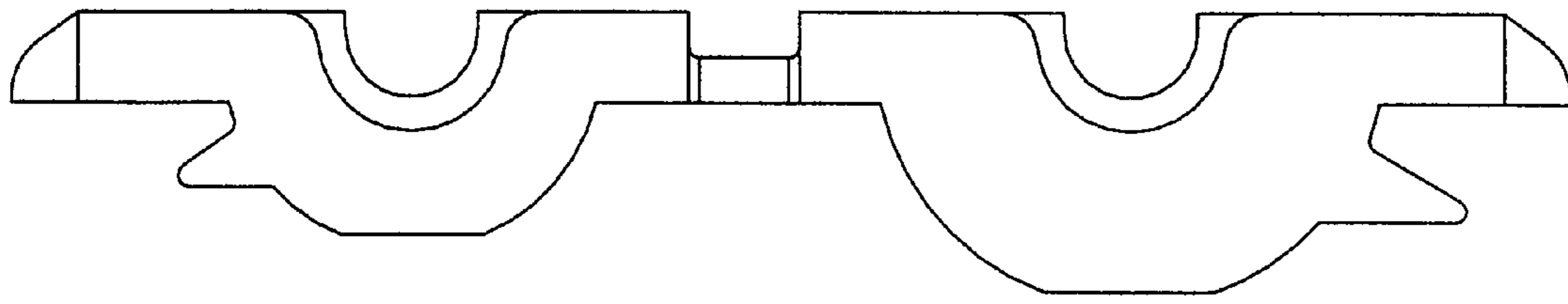


FIG. 4

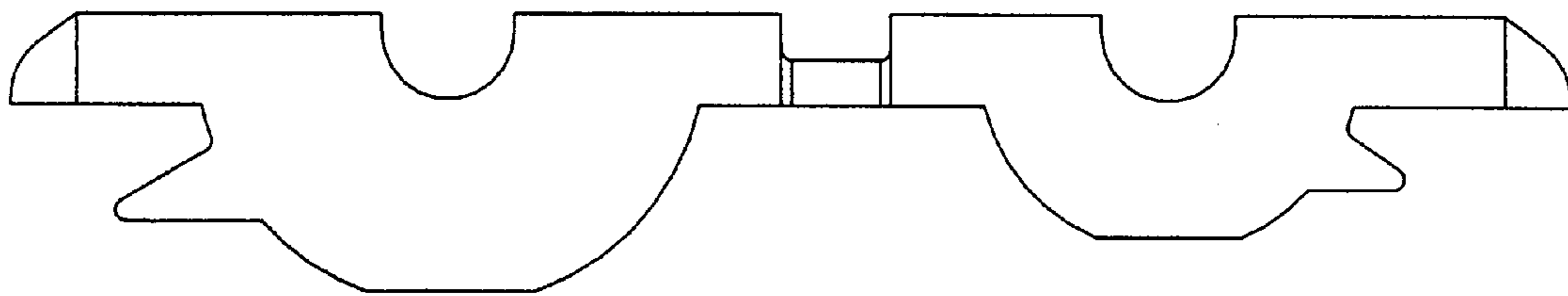


FIG. 5

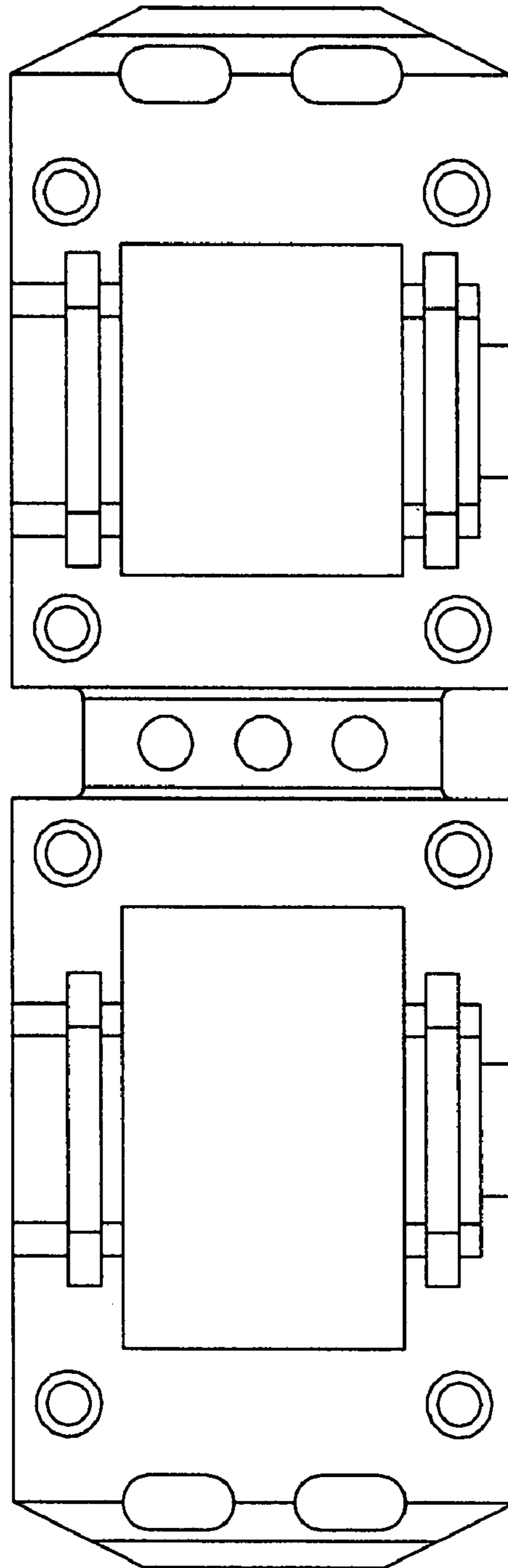


FIG. 6

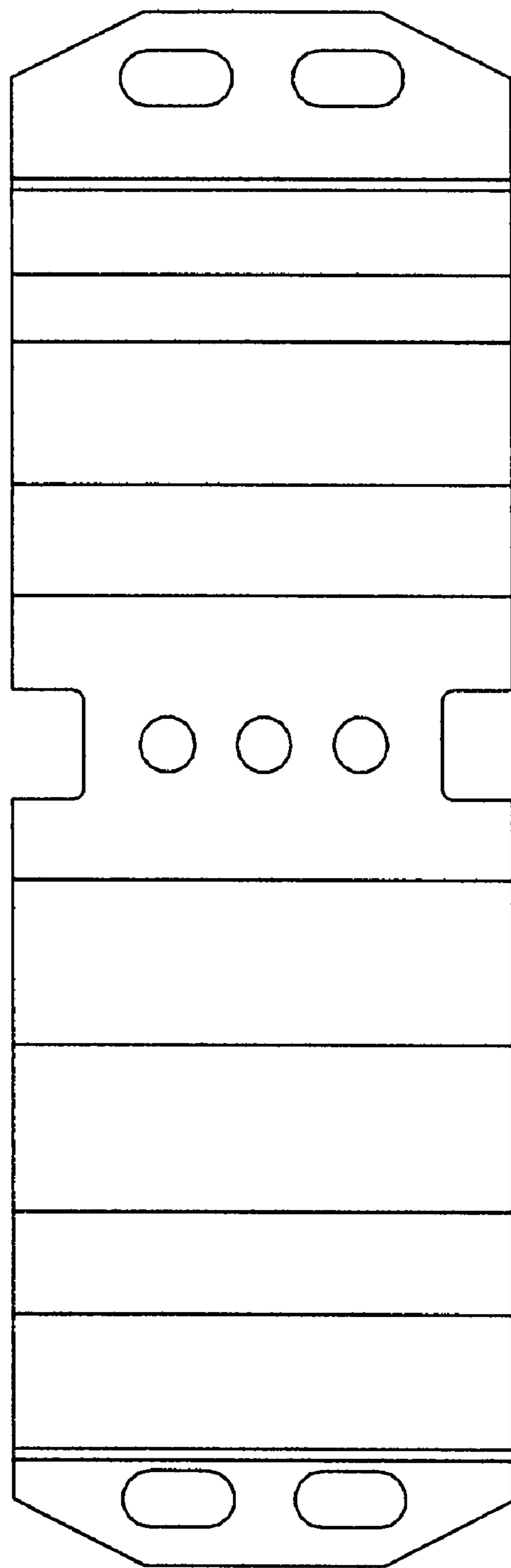


FIG. 7