



US00D579625S

(12) **United States Design Patent**
Kang et al.

(10) **Patent No.:** **US D579,625 S**
(45) **Date of Patent:** **** Oct. 28, 2008**

(54) **PROTECTIVE ENCLOSURE**

(75) Inventors: **Donwoong Kang**, Syracuse, NY (US);
Scott W. Osiecki, Skaneateles, NY (US)

(73) Assignee: **John D. Brush & Co., Inc.**, Rochester,
NY (US)

(**) Term: **14 Years**

(21) Appl. No.: **29/306,580**

(22) Filed: **Apr. 11, 2008**

Related U.S. Application Data

(62) Division of application No. 29/277,724, filed on Mar.
8, 2007, now Pat. No. Des. 571,524.

(51) **LOC (8) Cl.** **06-04**

(52) **U.S. Cl.** **D99/28**

(58) **Field of Classification Search** D99/28,
D99/34-43, 99; D18/3.1-3.3; D14/385,
D14/448, 173, 307, 901, 146, 144, 151; 235/375-384,
235/100; 705/35, 43; 109/2, 24.1, 50, 53,
109/66, 83; 106/644; 52/659, 73; 902/8,
902/9, 21, 30; 340/5.41; 348/150; D20/1,
D20/2; D25/16; 361/681, 683, 686, 687,
361/694; D6/573, 634, 448; D3/201, 291,
D3/294, 276, 272-273; 194/202, 379, 381;
206/8, 815

See application file for complete search history.

(56) **References Cited**

U.S. PATENT DOCUMENTS

D93,372 S * 9/1934 Zacher D20/1

(Continued)

Primary Examiner—Robert M. Spear

Assistant Examiner—Susan E Krakower

(74) *Attorney, Agent, or Firm*—Woods Oviatt Gilman, LLP

(57) **CLAIM**

The ornamental design for a protective enclosure, as shown
and described.

DESCRIPTION

FIG. 1 is a right front perspective view of a first embodiment
of a protective enclosure according to the present invention;

FIG. 2 is a front view of the protective enclosure shown in
FIG. 1;

FIG. 3 is a right side view of the protective enclosure shown
in FIG. 1;

FIG. 4 is a bottom view of the protective enclosure shown in
FIG. 1;

FIG. 5 is a rear perspective view of the protective enclosure
shown in FIG. 1;

FIG. 6 is a rear view of the protective enclosure shown in FIG.
1;

FIG. 7 is a top view of the protective enclosure shown in FIG.
1;

FIG. 8 is a right front perspective view of a second embodi-
ment of a protective enclosure according to the present inven-
tion;

FIG. 9 is a front view of the protective enclosure shown in
FIG. 8;

FIG. 10 is a right side view of the protective enclosure shown
in FIG. 8;

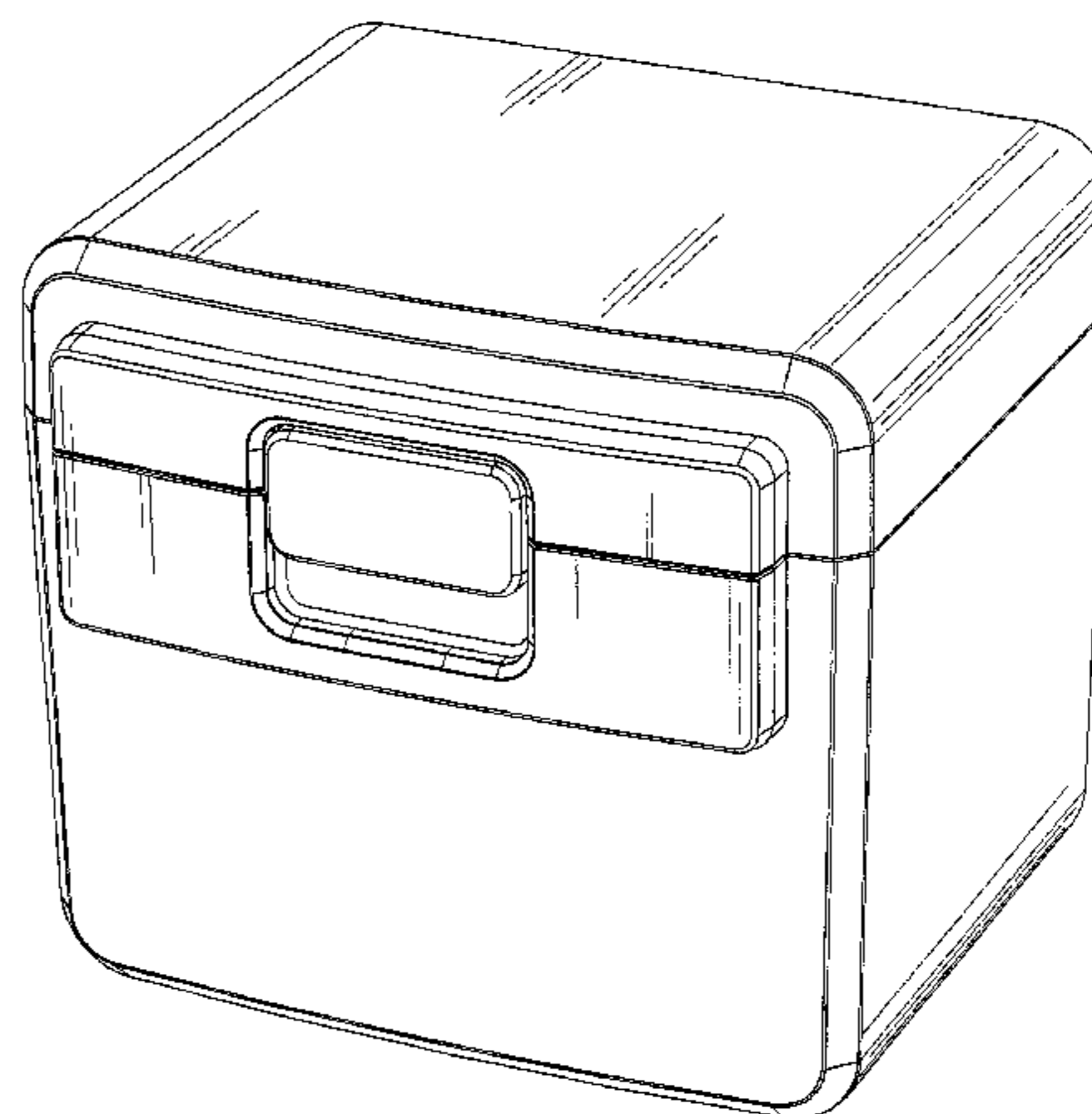
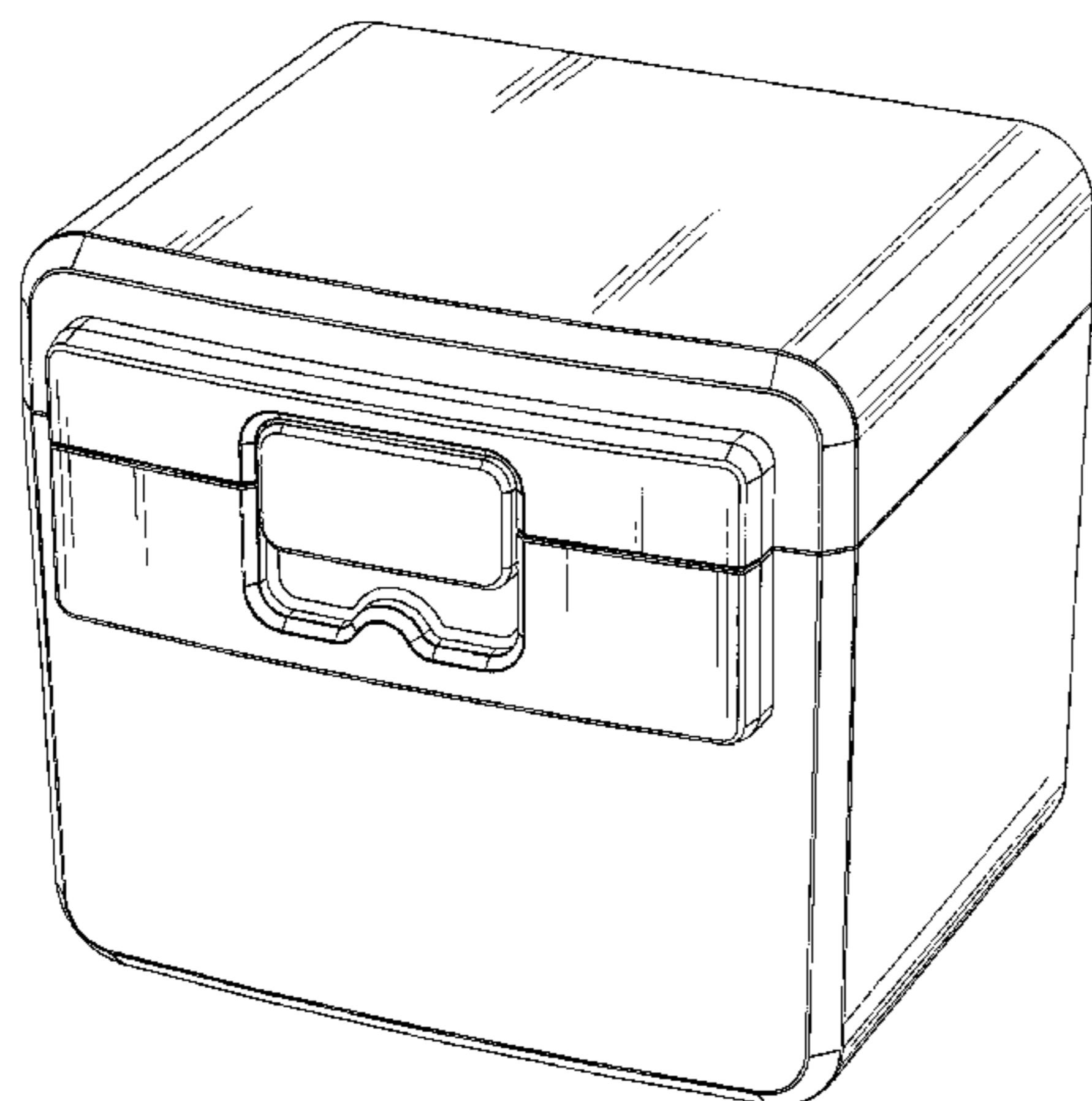
FIG. 11 is a bottom view of the protective enclosure shown in
FIG. 8;

FIG. 12 is a rear perspective view of the protective enclosure
shown in FIG. 8;

FIG. 13 is a rear view of the protective enclosure shown in
FIG. 8; and,

FIG. 14 is a top view of the protective enclosure shown in
FIG. 8.

1 Claim, 14 Drawing Sheets



US D579,625 S

Page 2

U.S. PATENT DOCUMENTS

D236,291 S	8/1975	Schurman		D446,011 S *	8/2001	Ogilvie et al.	D3/273
D266,114 S	9/1982	Berkheij		D454,689 S	3/2002	Gonda et al.		
D268,063 S *	2/1983	Chase	D461,617 S	8/2002	Gardner		
D273,908 S	5/1984	Hoogeveen		D465,330 S	11/2002	Parker		
D289,582 S	5/1987	Brush et al.		D474,596 S	5/2003	Osiecki et al.		
D291,139 S	7/1987	Warwicker		D482,840 S	11/2003	Magee et al.		
D293,279 S *	12/1987	Evans	D489,158 S	4/2004	Magee et al.		
D302,491 S *	8/1989	Brush et al.	D504,990 S *	5/2005	Perella et al.	D99/28
5,069,358 A *	12/1991	Avery, Jr.	D520,237 S	5/2006	Cheng		
D335,378 S *	5/1993	Mariol	D528,735 S	9/2006	Osiecki et al.		
5,377,514 A *	1/1995	Robbins et al.	D541,045 S	4/2007	Peart et al.		
D371,906 S	7/1996	Peters		D558,977 S	1/2008	Peart et al.		
D372,360 S *	8/1996	Burns et al.	D563,692 S *	3/2008	DeCarlo et al.	D6/448
D374,347 S	10/1996	Burns et al.		D569,073 S *	5/2008	Osiecki et al.	D99/28
D388,231 S *	12/1997	Magee et al.	D570,074 S *	5/2008	Osiecki et al.	D99/28
D393,526 S	4/1998	Robey et al.		D570,114 S *	6/2008	Netz	D3/294
D399,632 S *	10/1998	Davis et al.	D571,524 S *	6/2008	Kang et al.	D99/28
D445,234 S *	7/2001	Isaacs et al.	D572,425 S *	7/2008	Themistos	D99/28

* cited by examiner

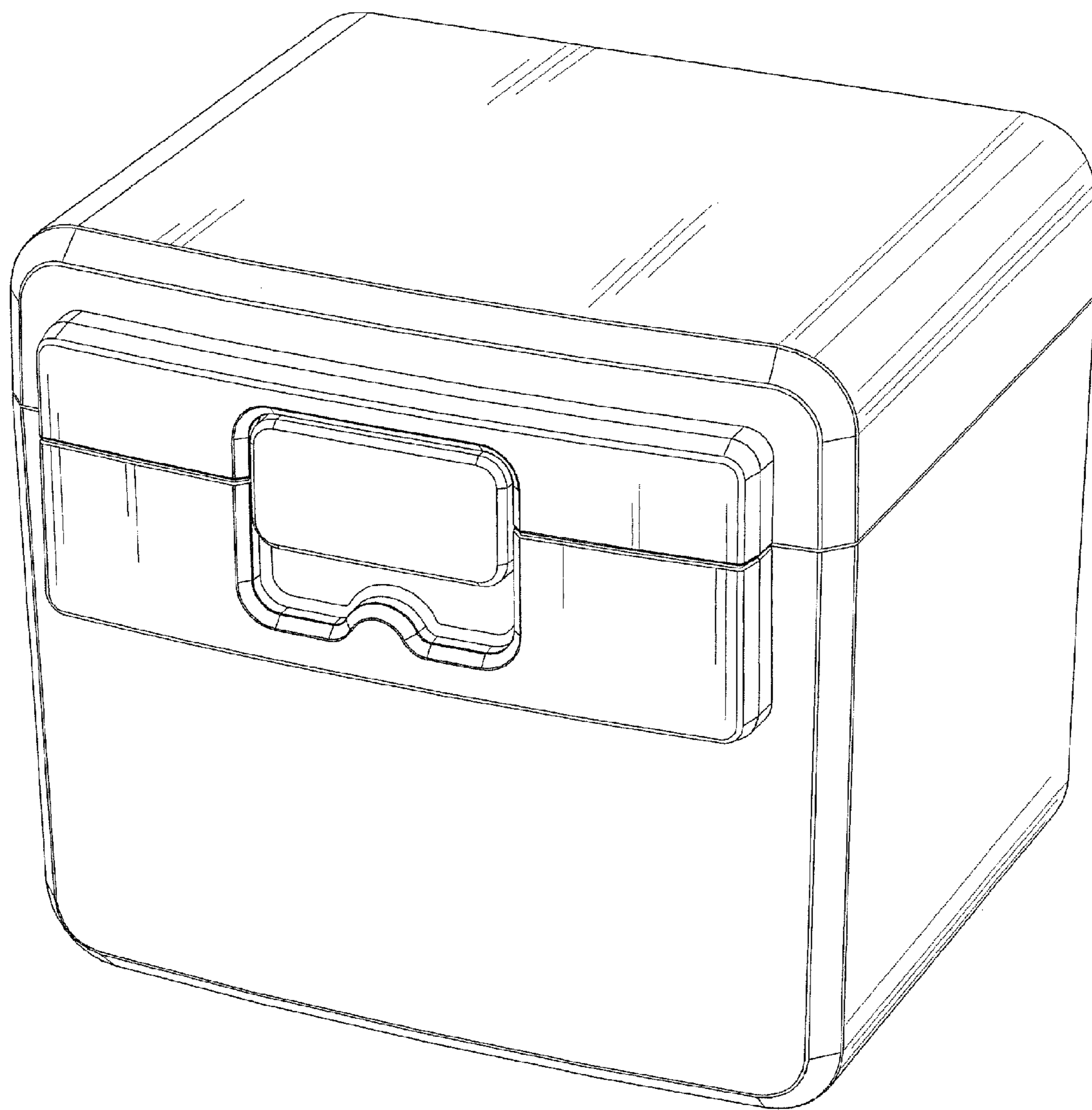


FIG. 1

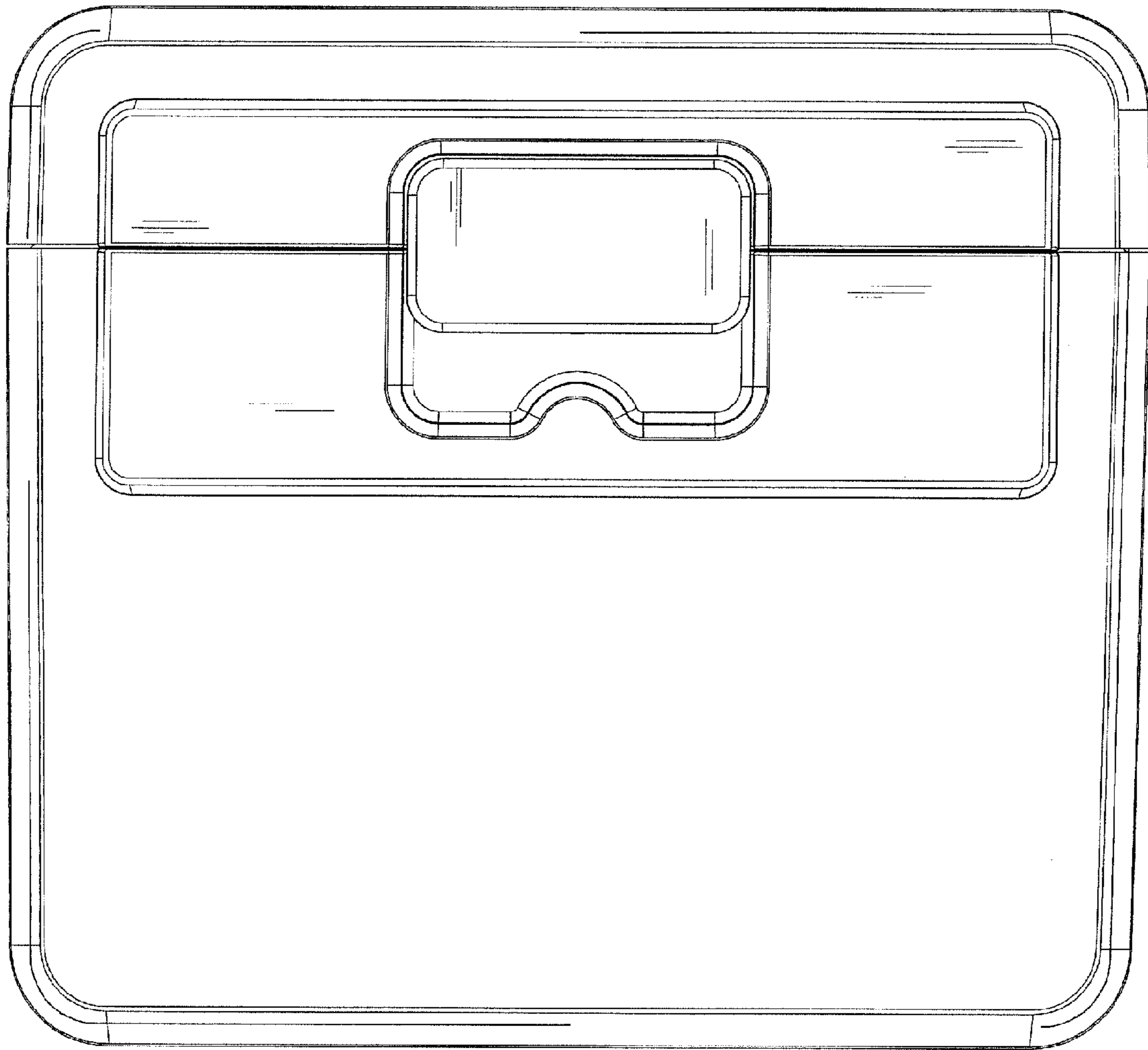


FIG. 2

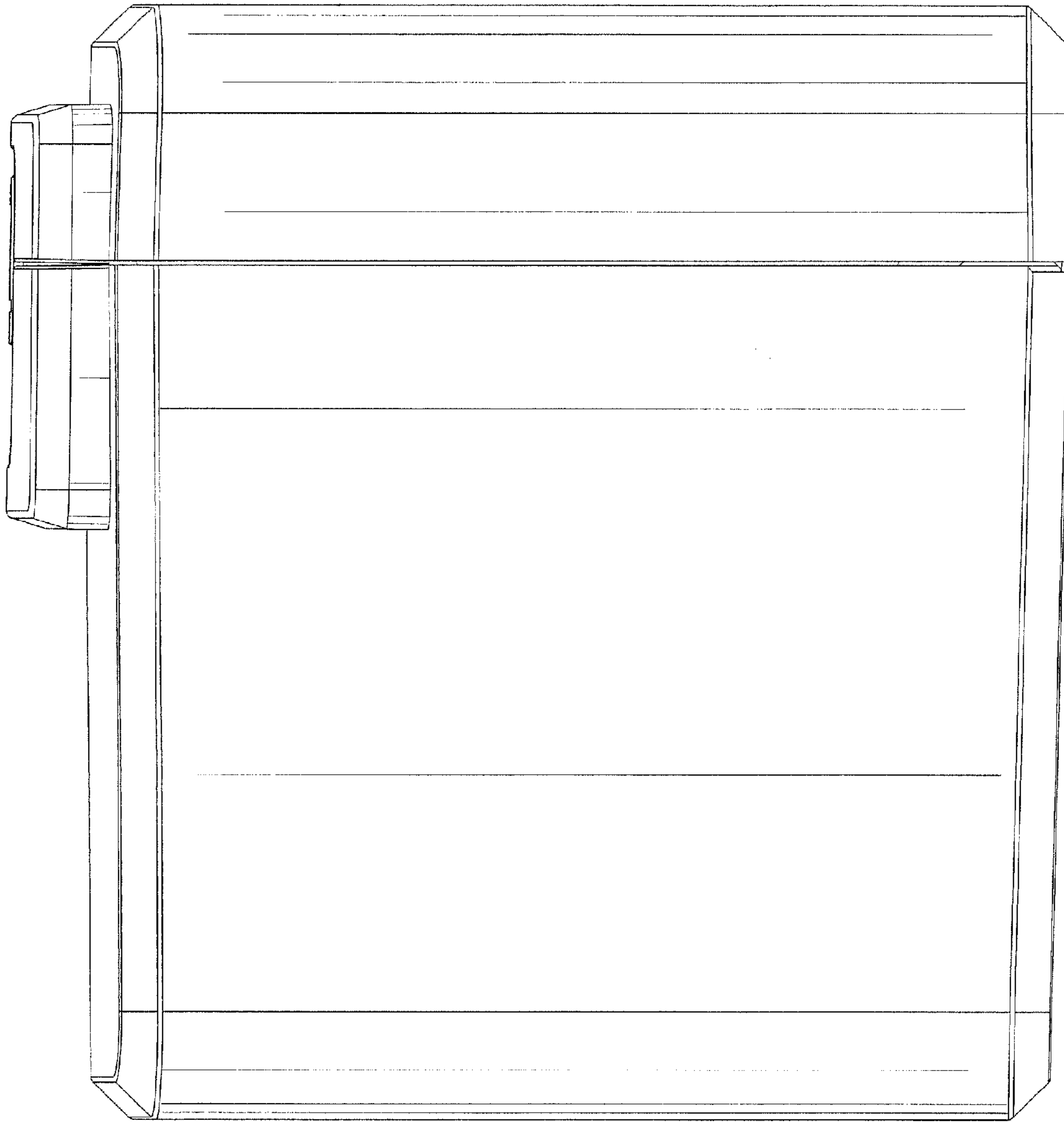


FIG. 3

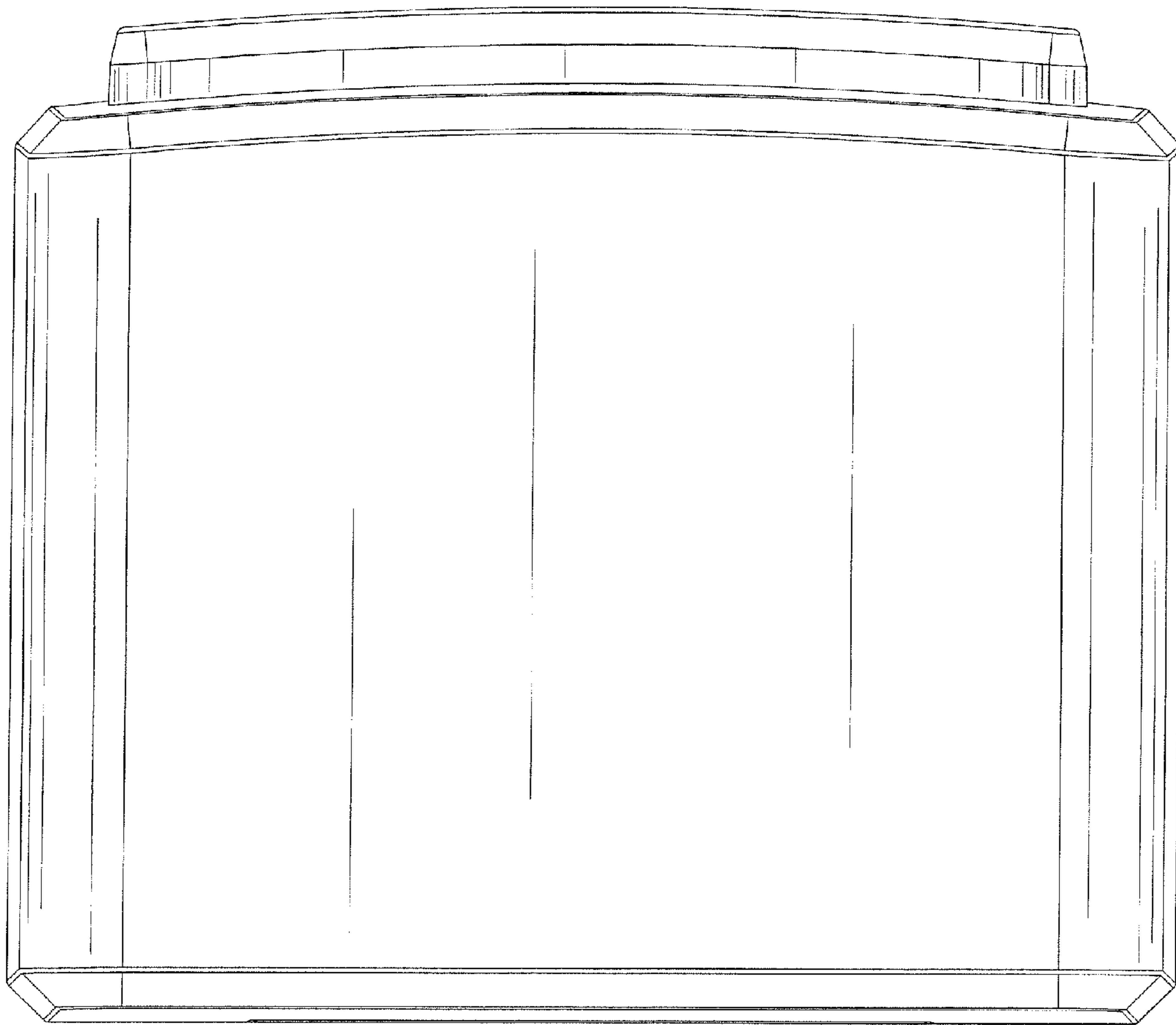


FIG. 4

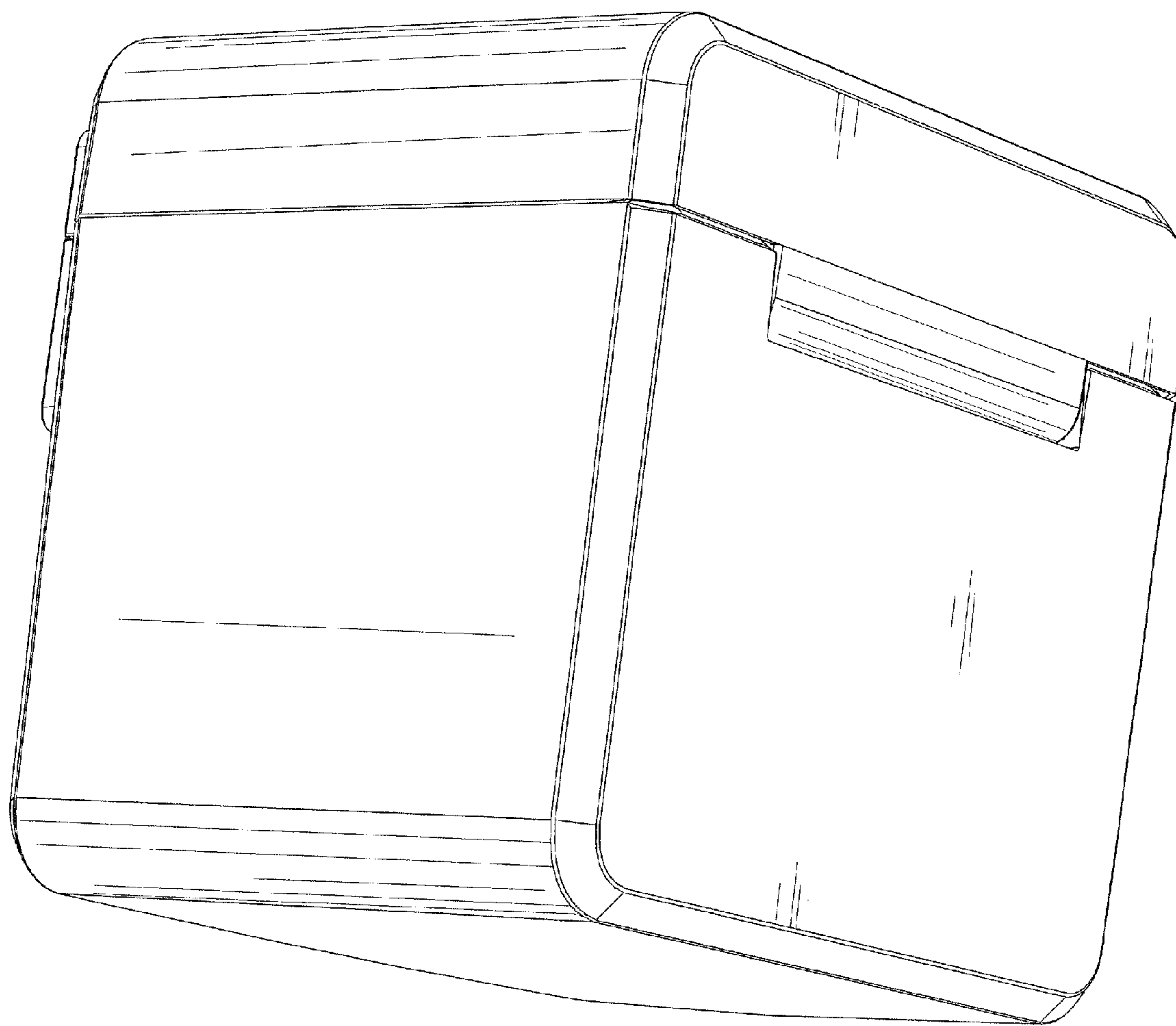


FIG. 5

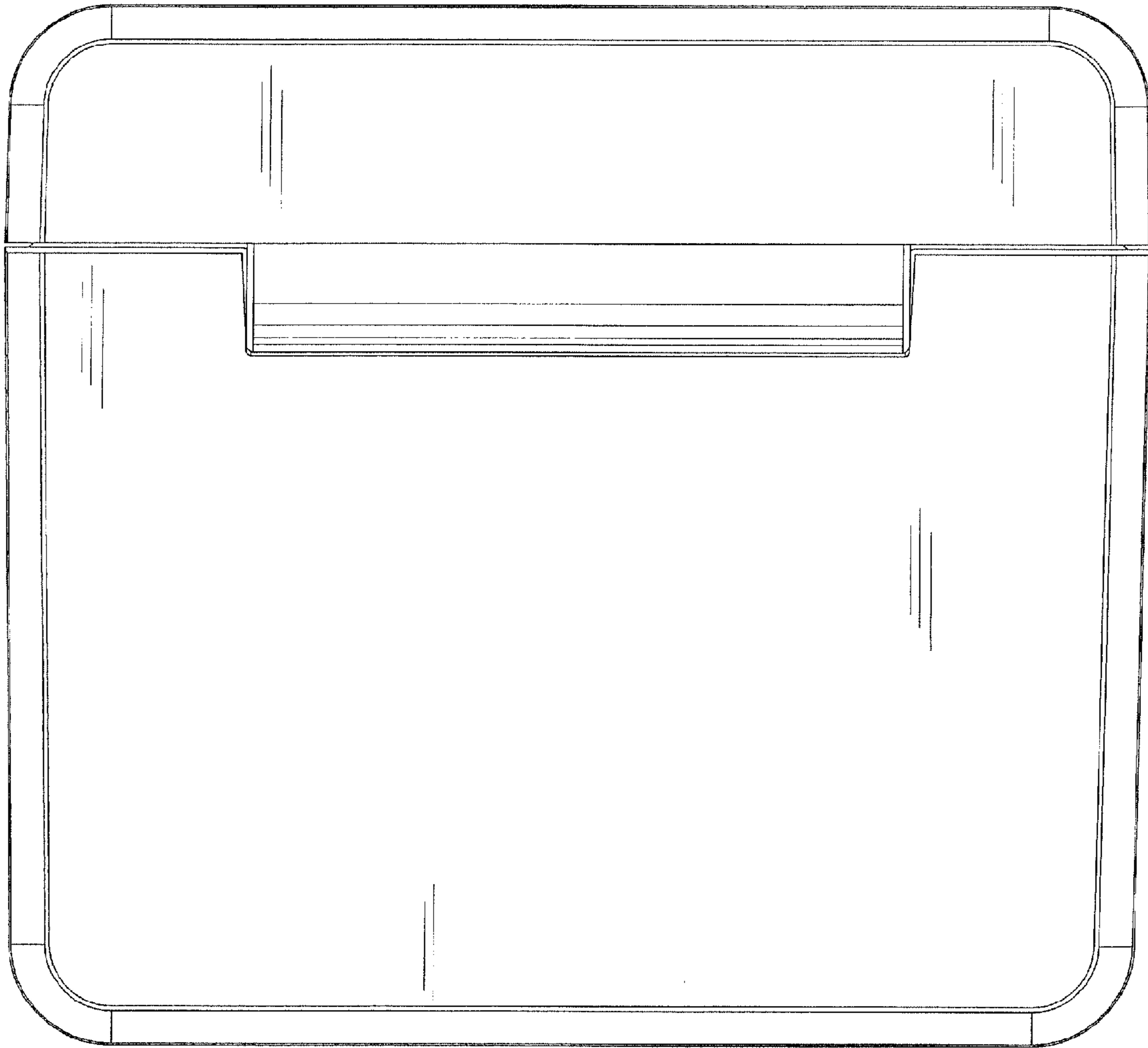


FIG. 6

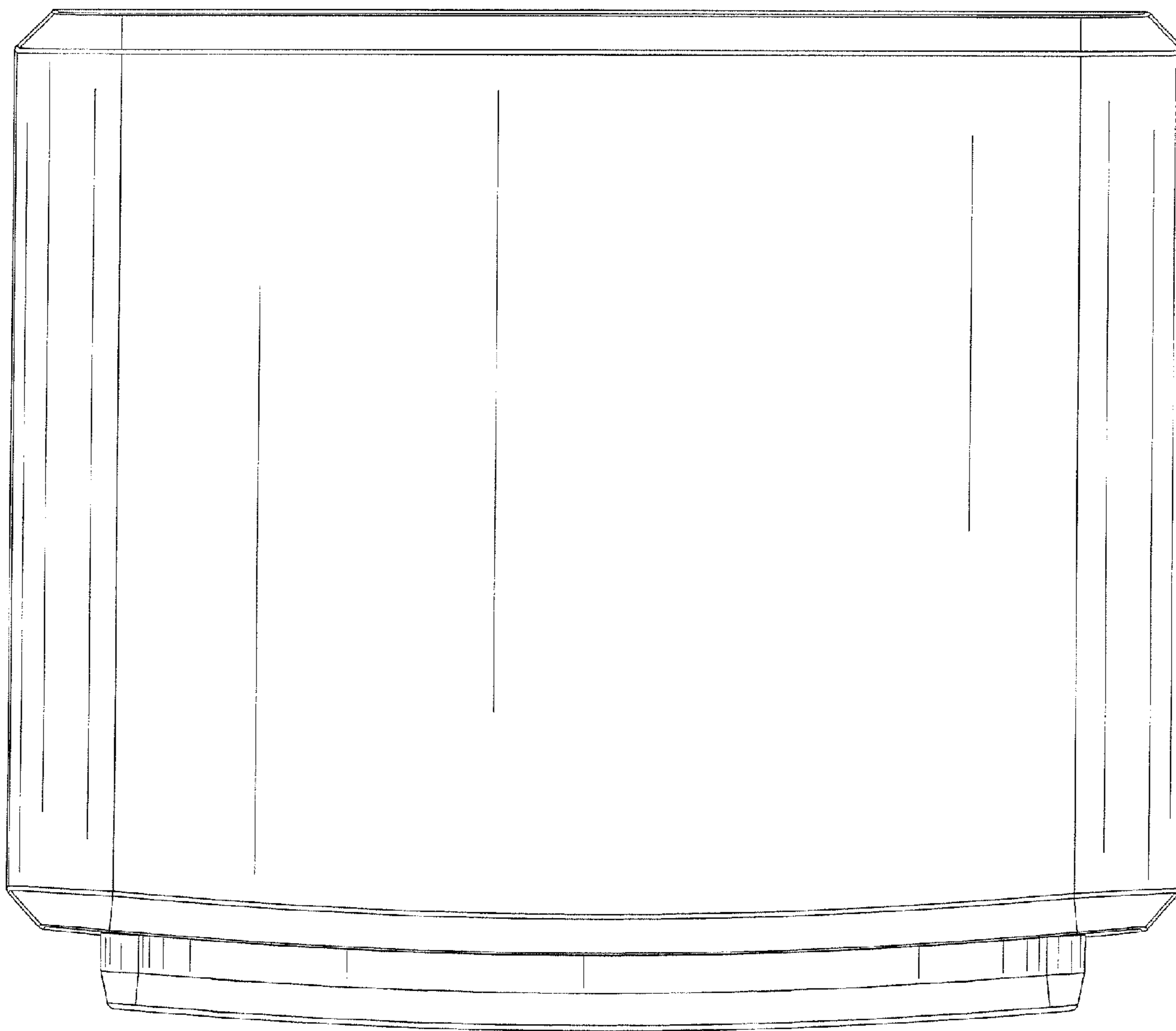


FIG. 7

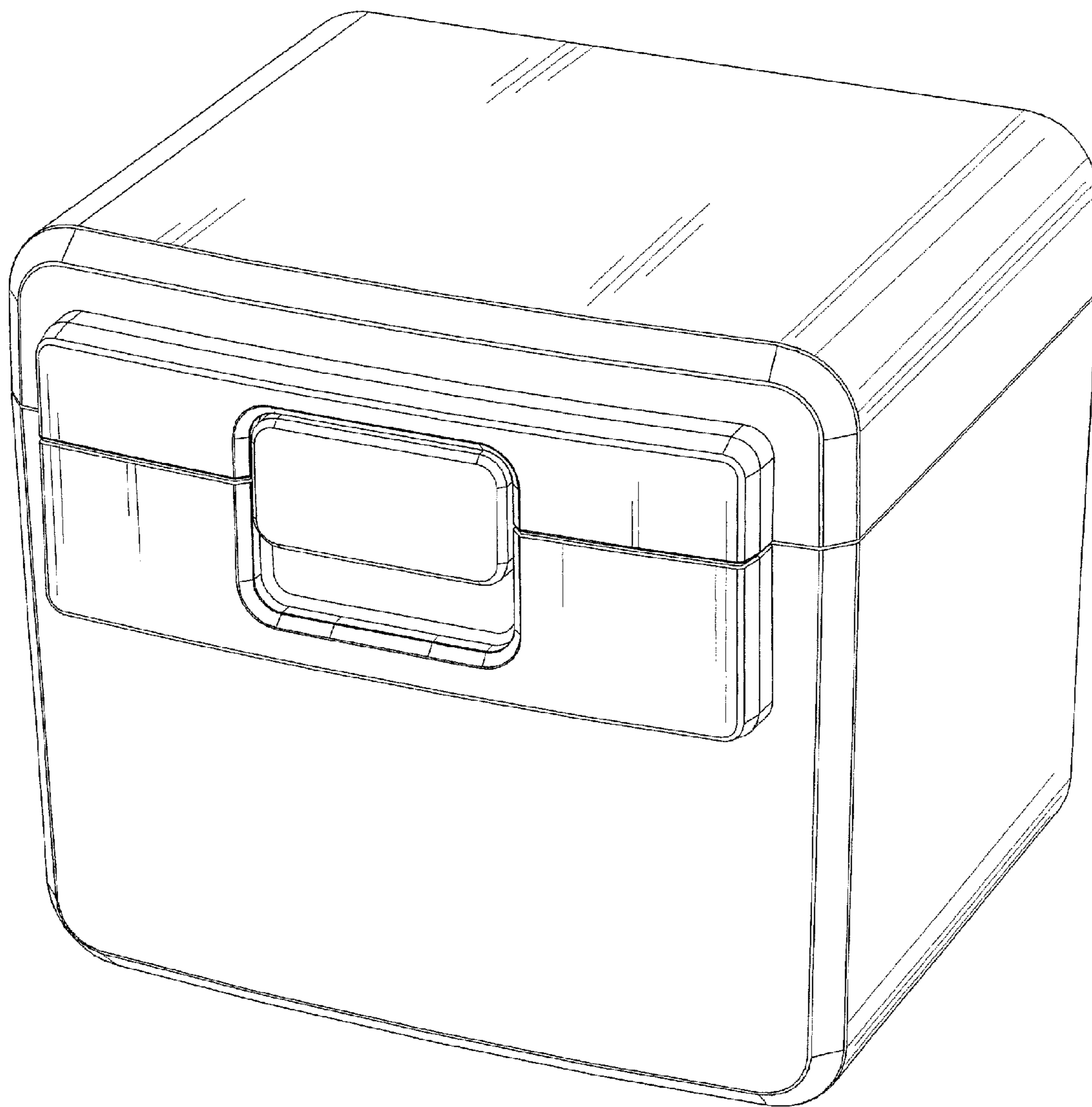


FIG. 8

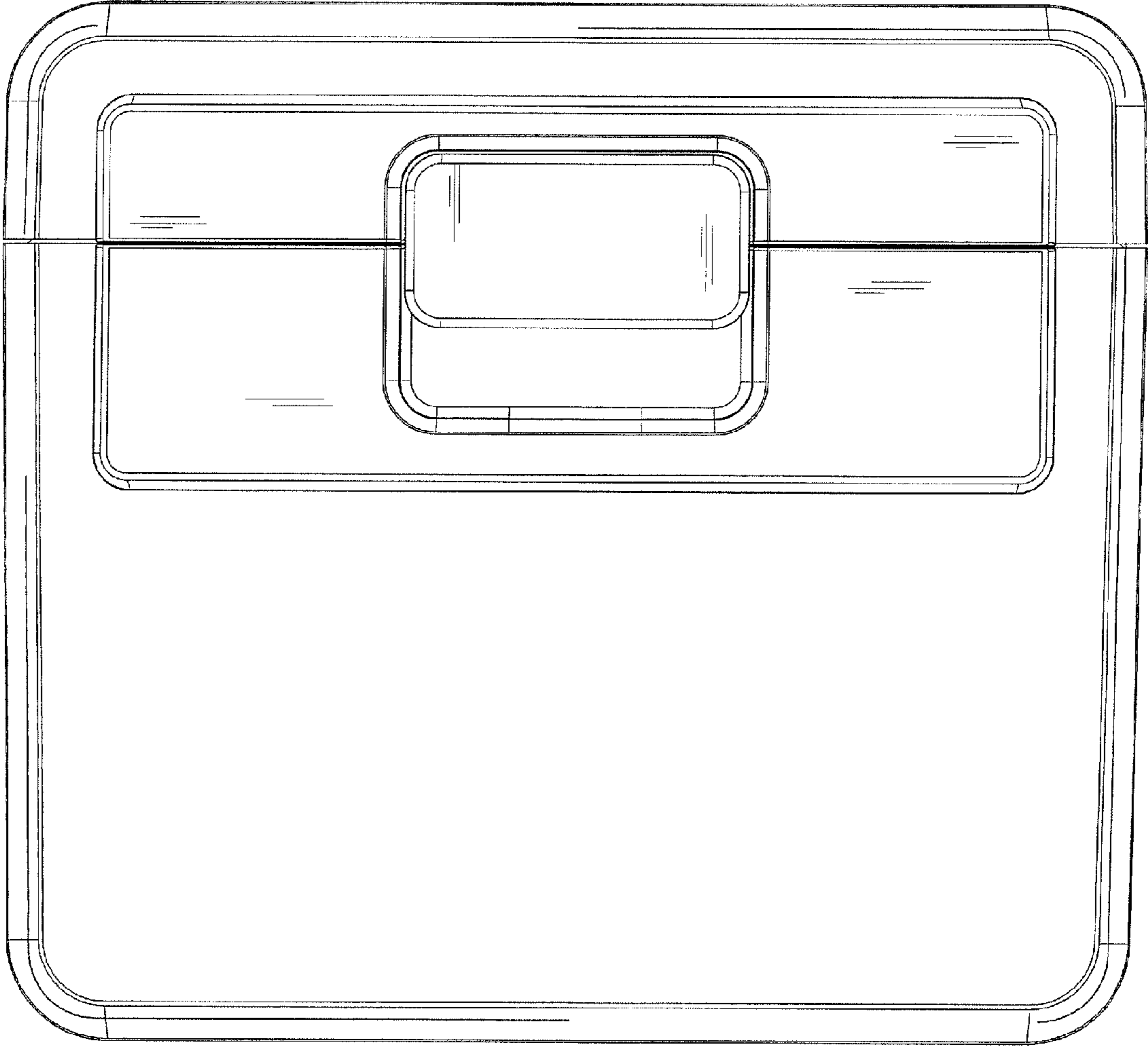


FIG. 9

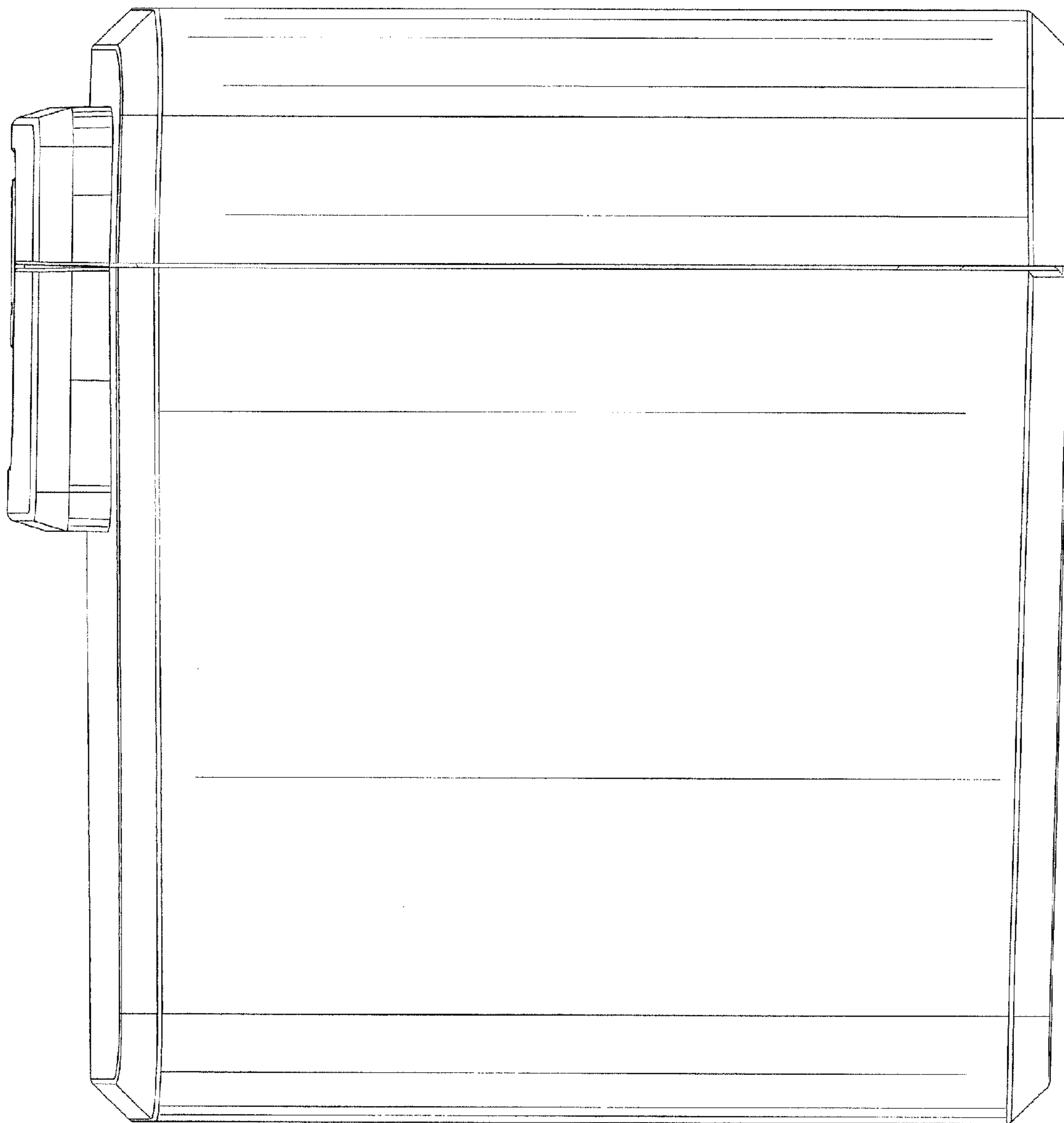


FIG. 10

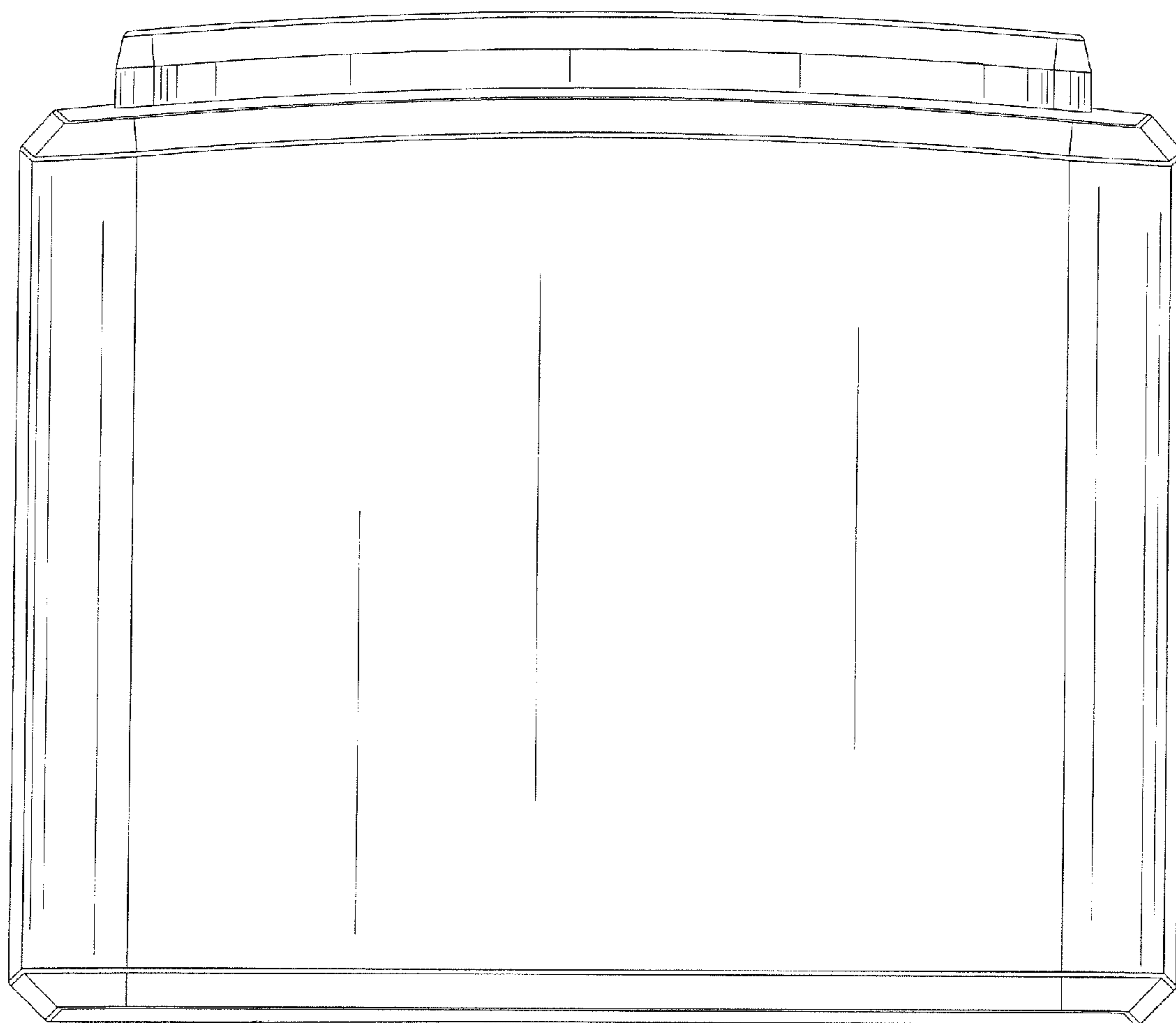


FIG. 11

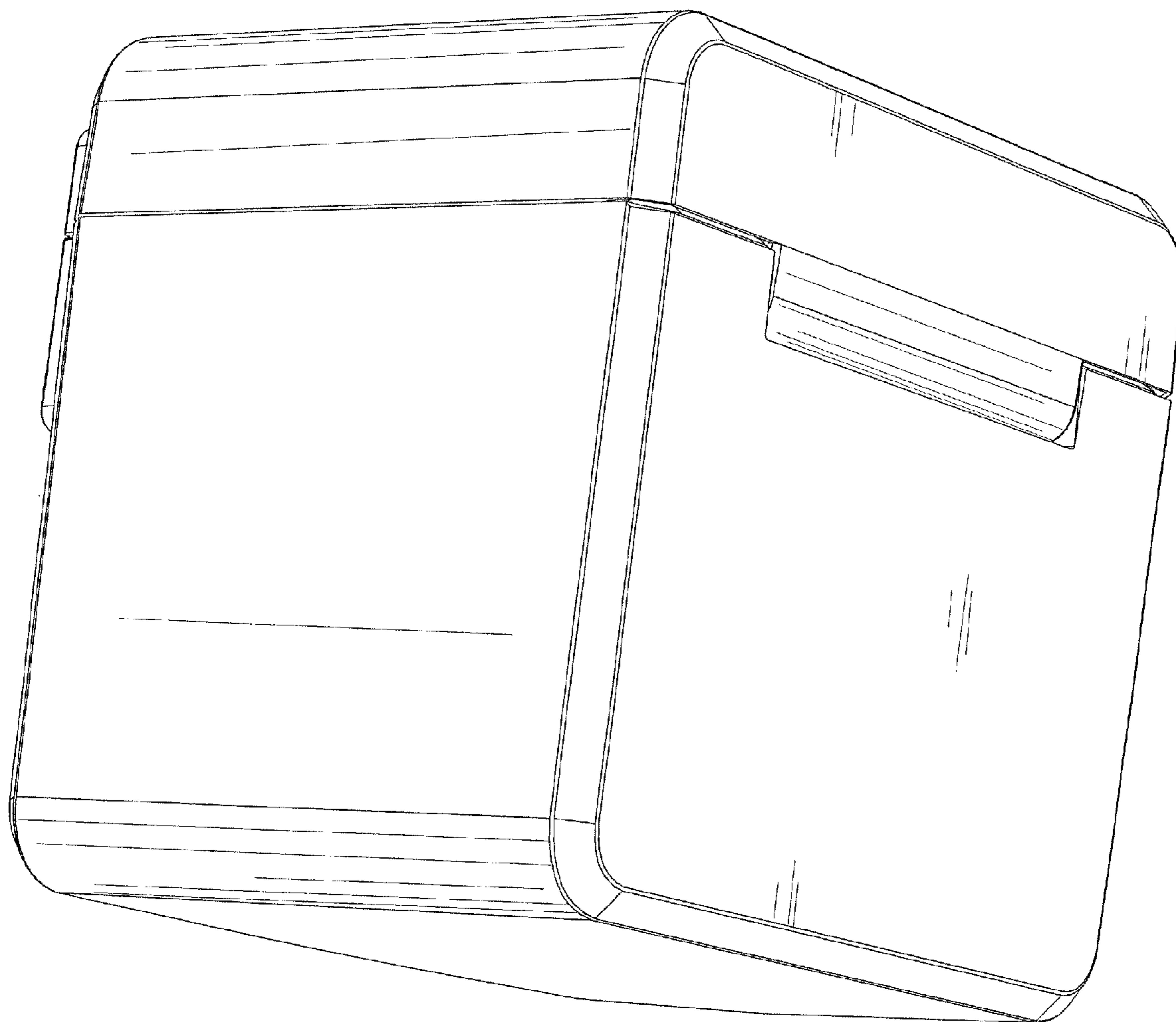


FIG. 12

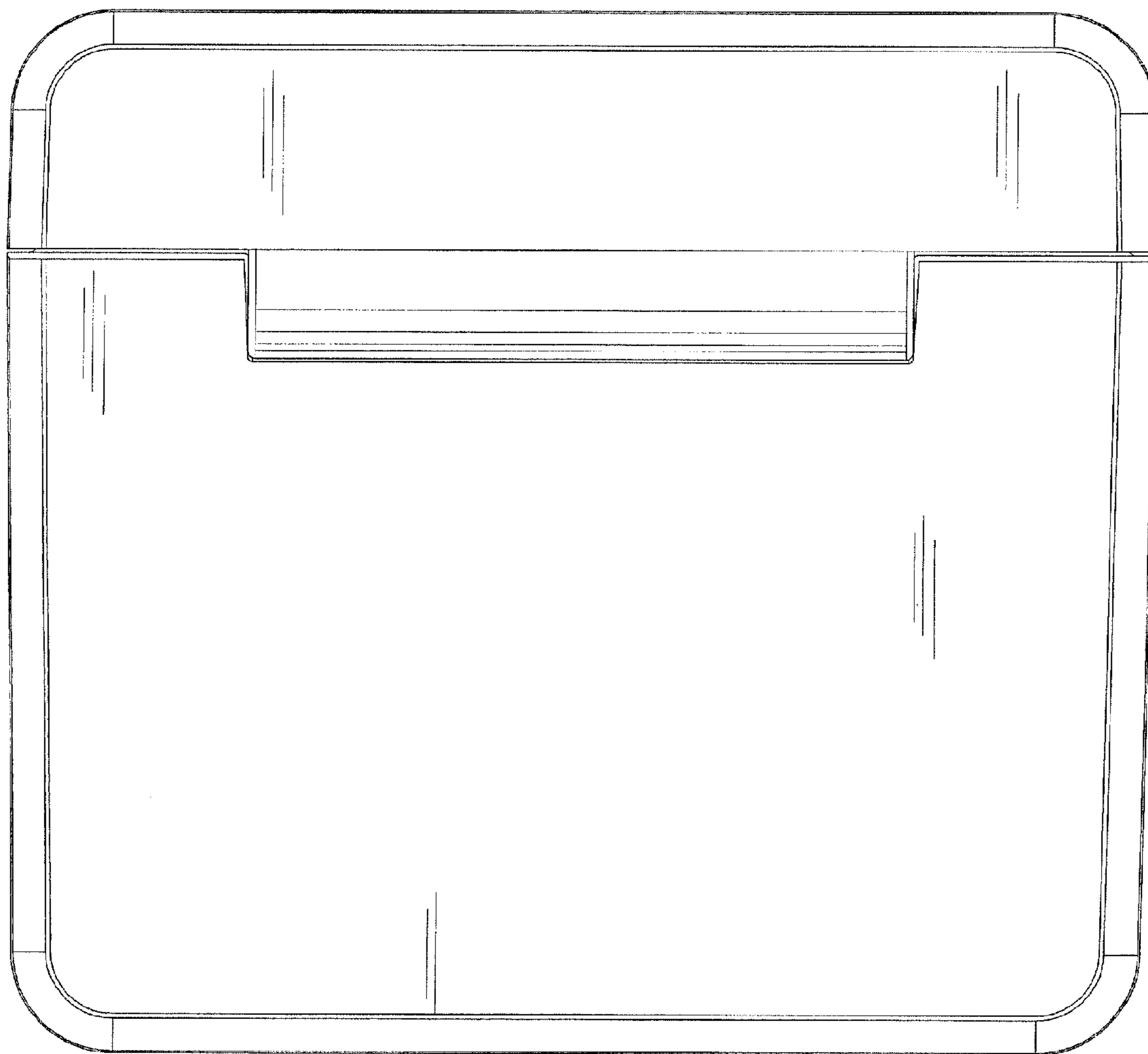


FIG. 13

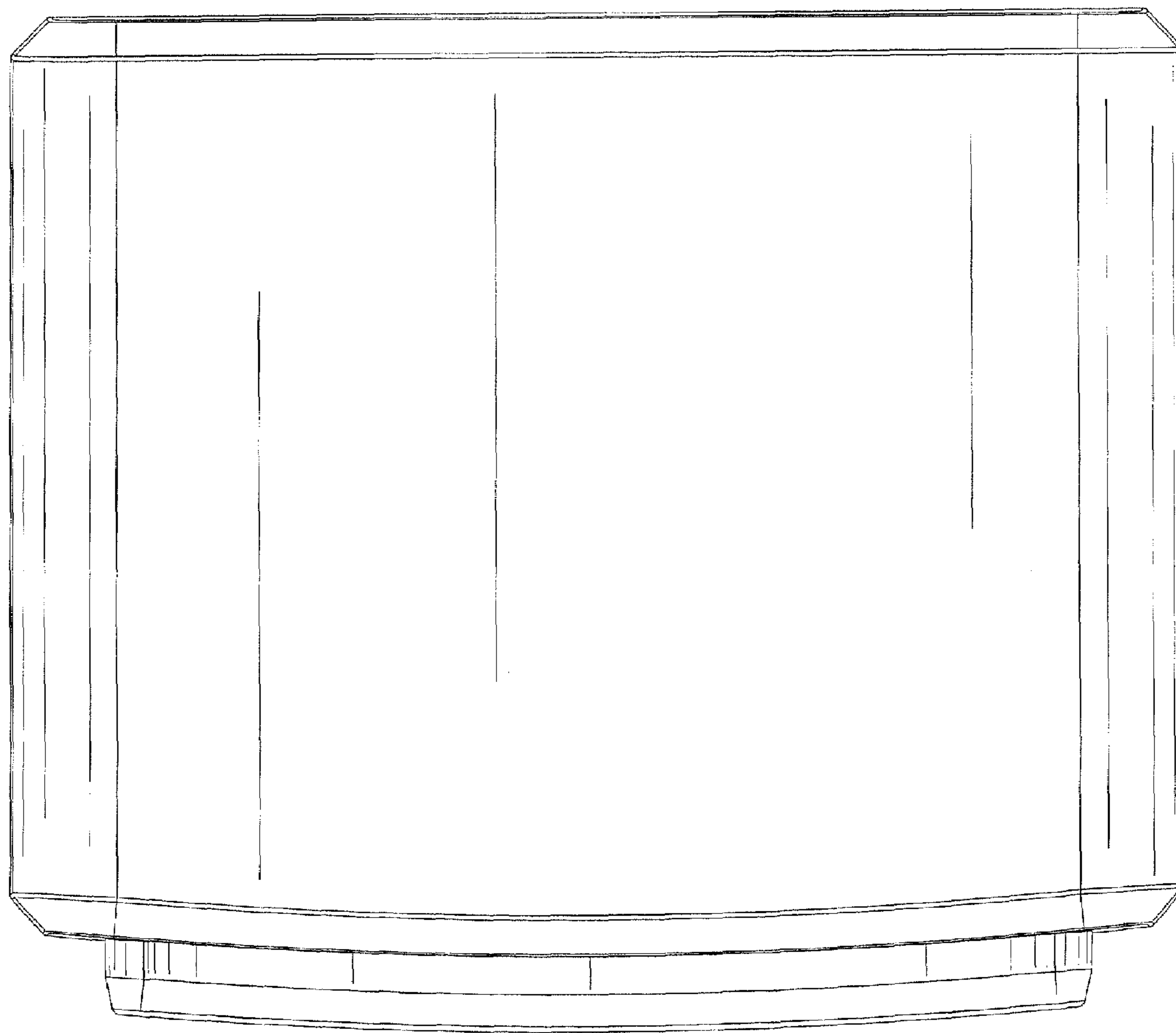


FIG. 14