



US00D579624S

(12) **United States Design Patent**
McVicar et al.

(10) **Patent No.:** **US D579,624 S**

(45) **Date of Patent:** **** Oct. 28, 2008**

(54) **FORK LIFT TRUCK**

(75) Inventors: **Martin McVicar**, Clontibret (IE);
Robert Moffett, Clontibret (IE); **Mark Whyte**, Castleblayney (IE)

(73) Assignee: **Combi-Lift Limited**, Monaghan (IE)

(**) Term: **14 Years**

(21) Appl. No.: **29/297,715**

(22) Filed: **Nov. 16, 2007**

(51) **LOC (8) Cl.** **12-05**

(52) **U.S. Cl.** **D34/34**

(58) **Field of Classification Search** D34/34;
414/11, 917, 728, 785; 212/8 R, 294, 295,
212/901, 187; 254/8 R, 2 R; 187/200, 244,
187/243

See application file for complete search history.

(56) **References Cited**

U.S. PATENT DOCUMENTS

5,560,451 A * 10/1996 Hincks 187/237
D379,020 S * 4/1997 Avitan D34/34

D539,504 S * 3/2007 Quinlan et al. D34/35

* cited by examiner

Primary Examiner—Cynthia E Ramirez

(74) *Attorney, Agent, or Firm*—Withrow & Terranova, PLLC

(57) **CLAIM**

The ornamental design for fork lift truck, as shown and described in FIGS. 1–6.

DESCRIPTION

FIG. 1 is a front perspective view of a fork lift truck with the wheels in the sideways mode showing our new design;

FIG. 2 is a rear perspective view with the wheels in forward mode;

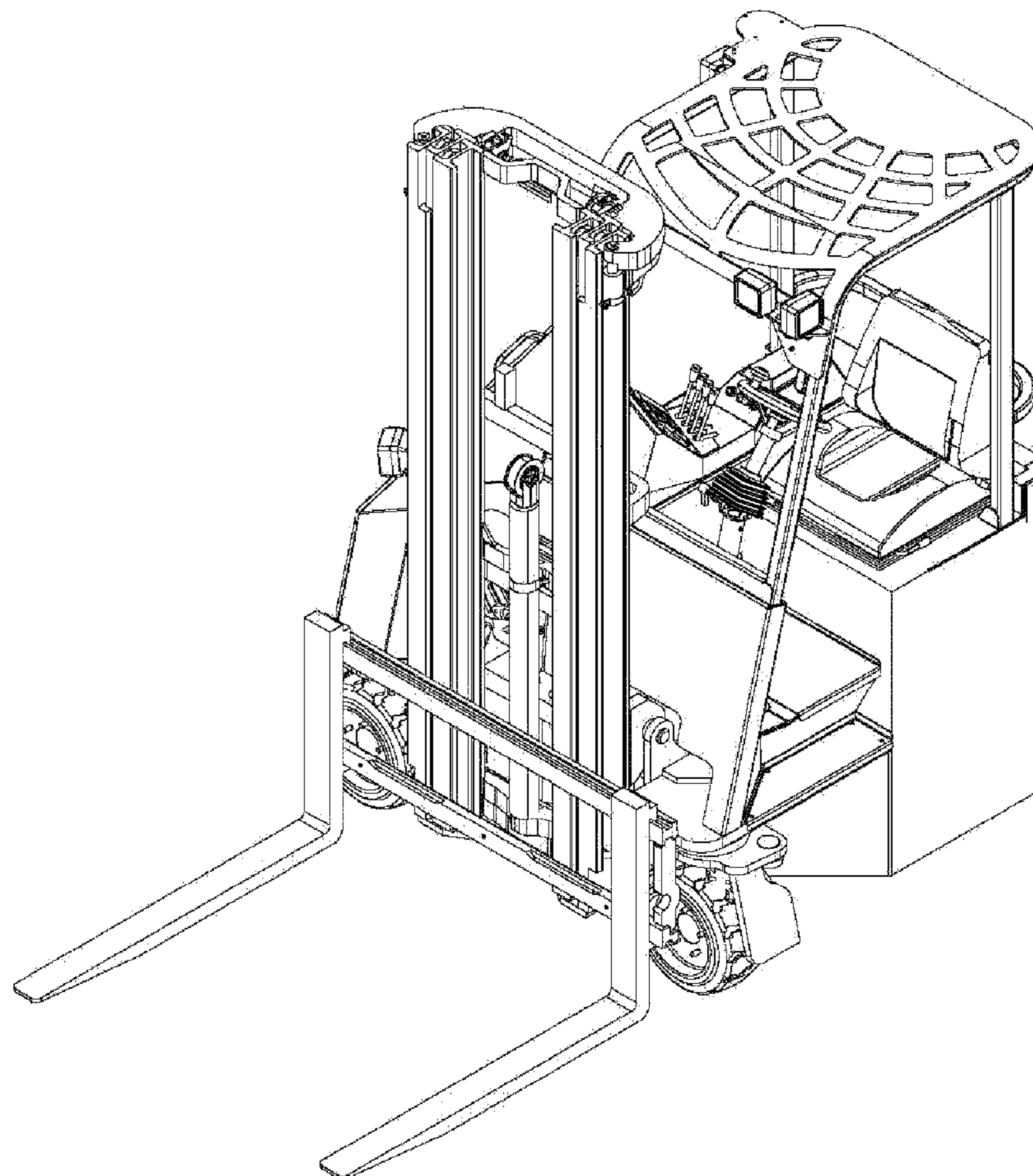
FIG. 3 is a left side elevation with the wheels in forward mode;

FIG. 4 is a right side elevation with the wheels in forward mode;

FIG. 5 is a rear elevation with the wheels in forward mode; and,

FIG. 6 is a front elevation with the wheels in forward mode.

1 Claim, 6 Drawing Sheets



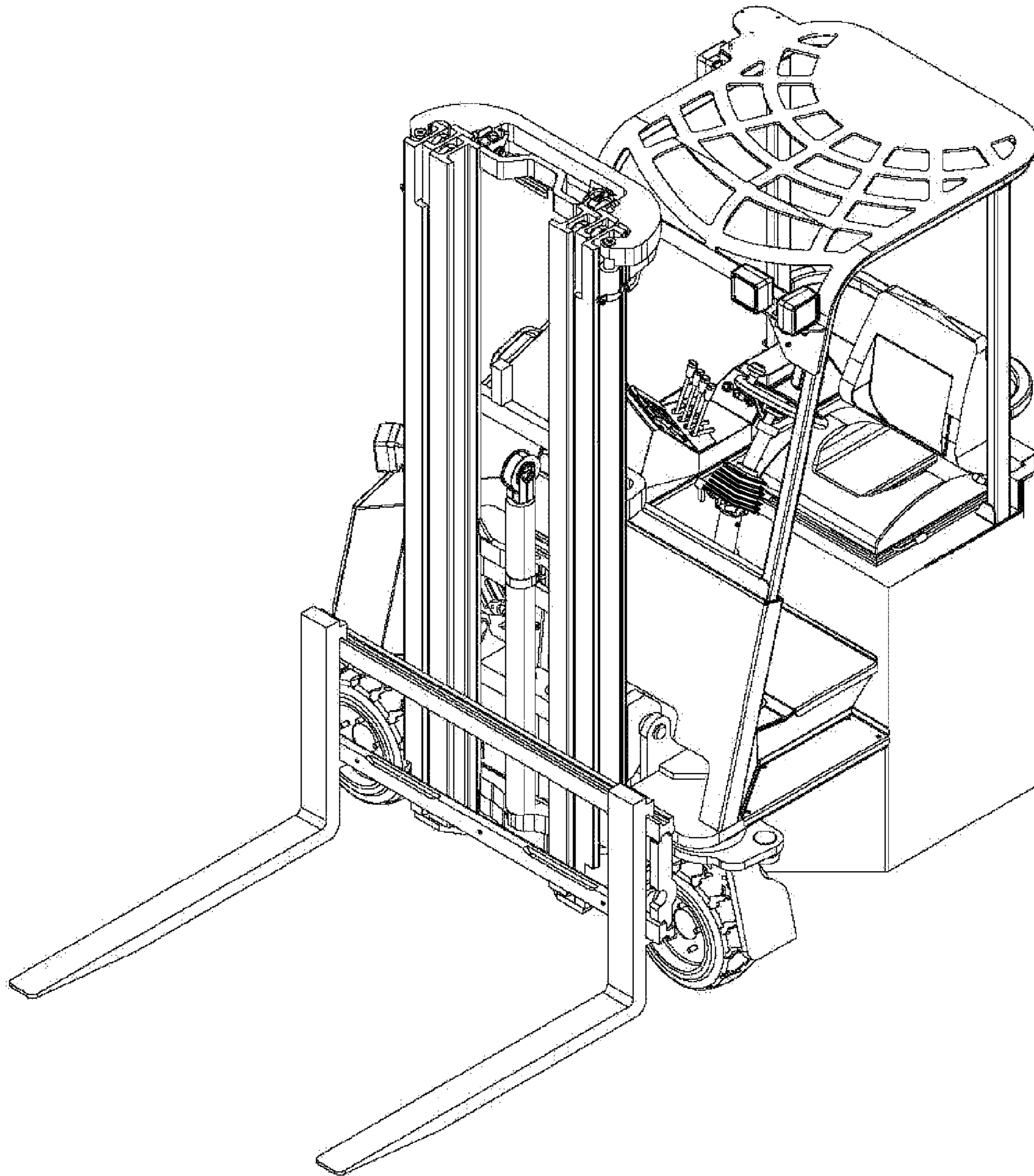


FIG. 1

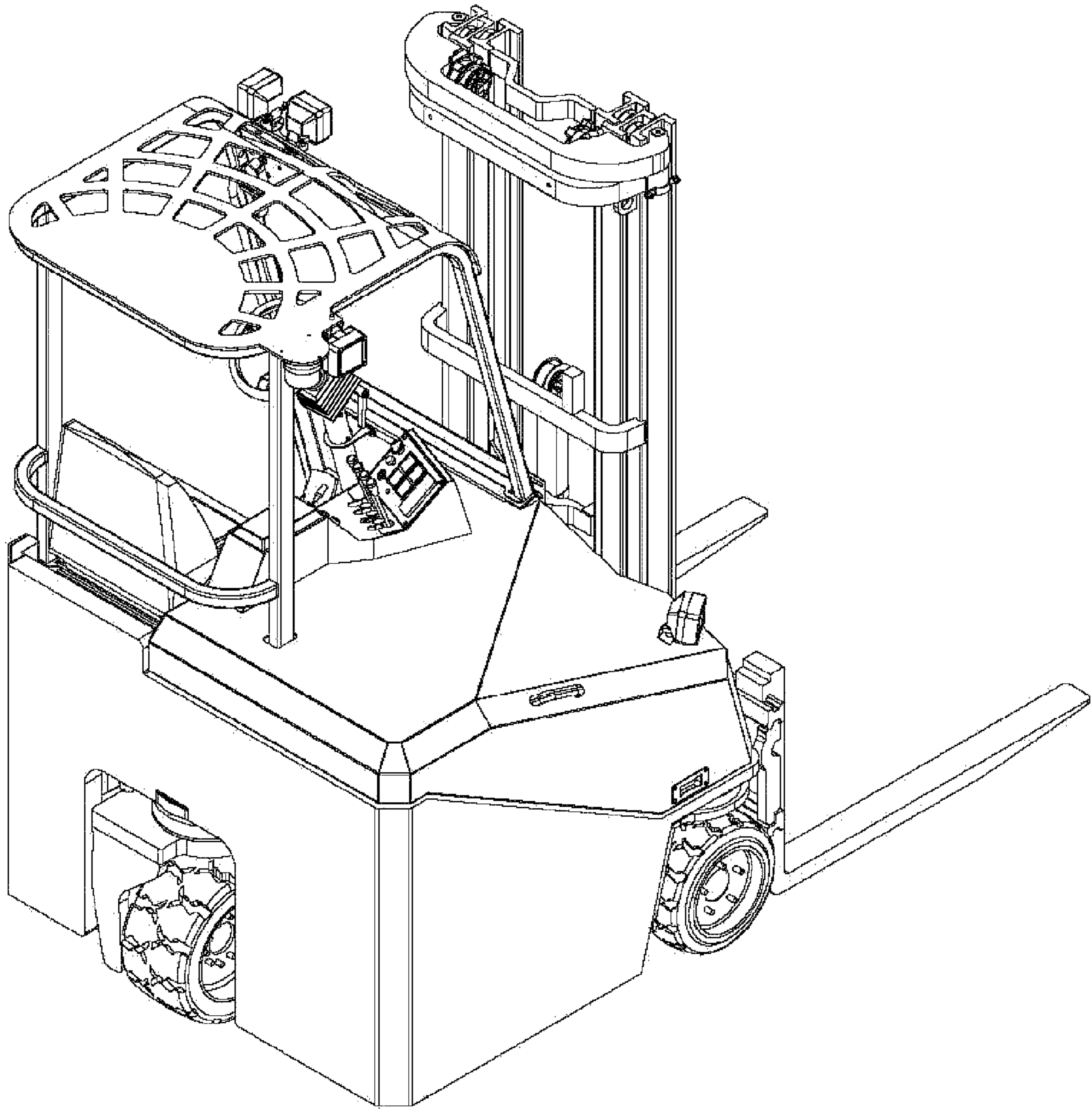


FIG. 2

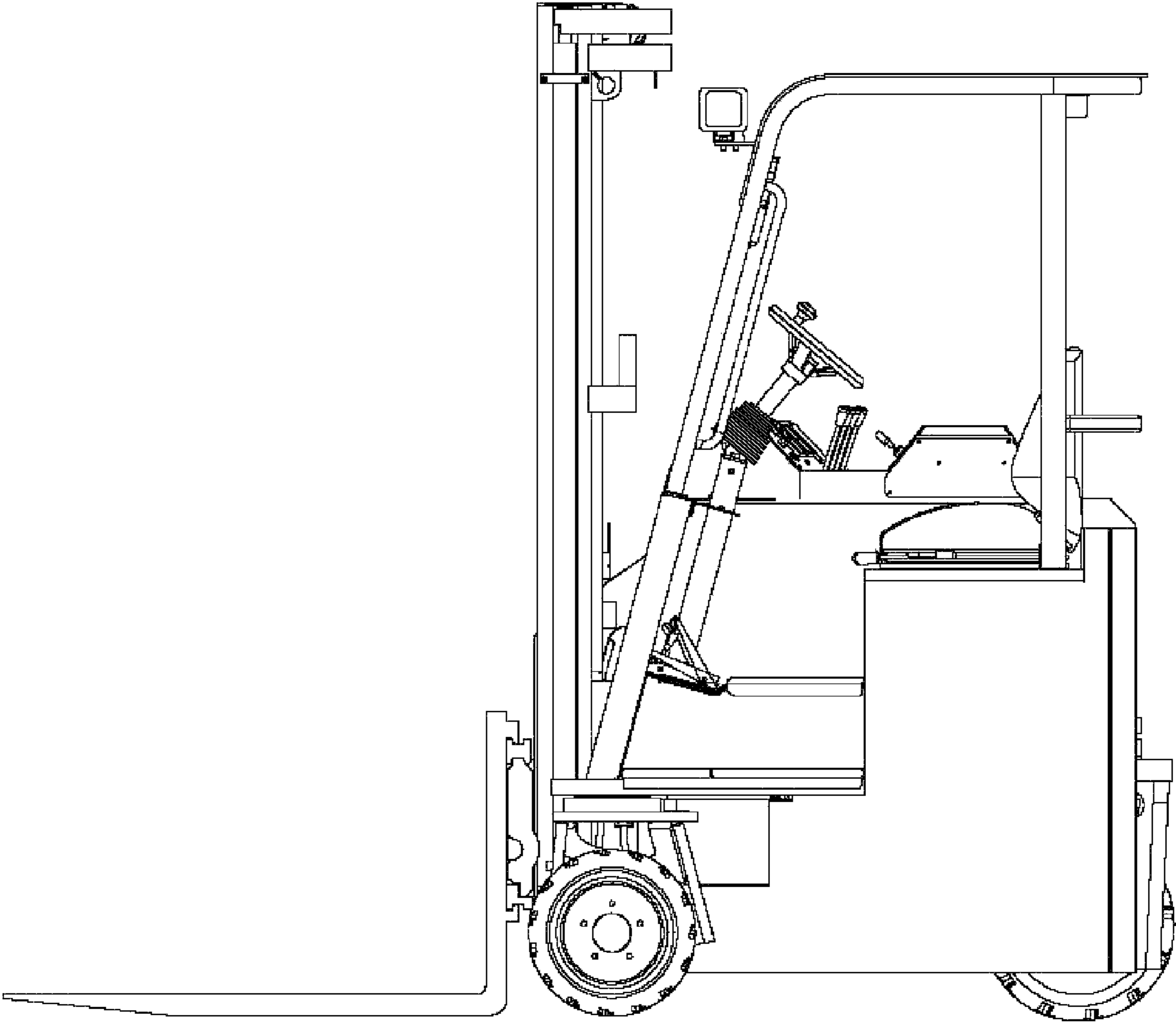


FIG. 3

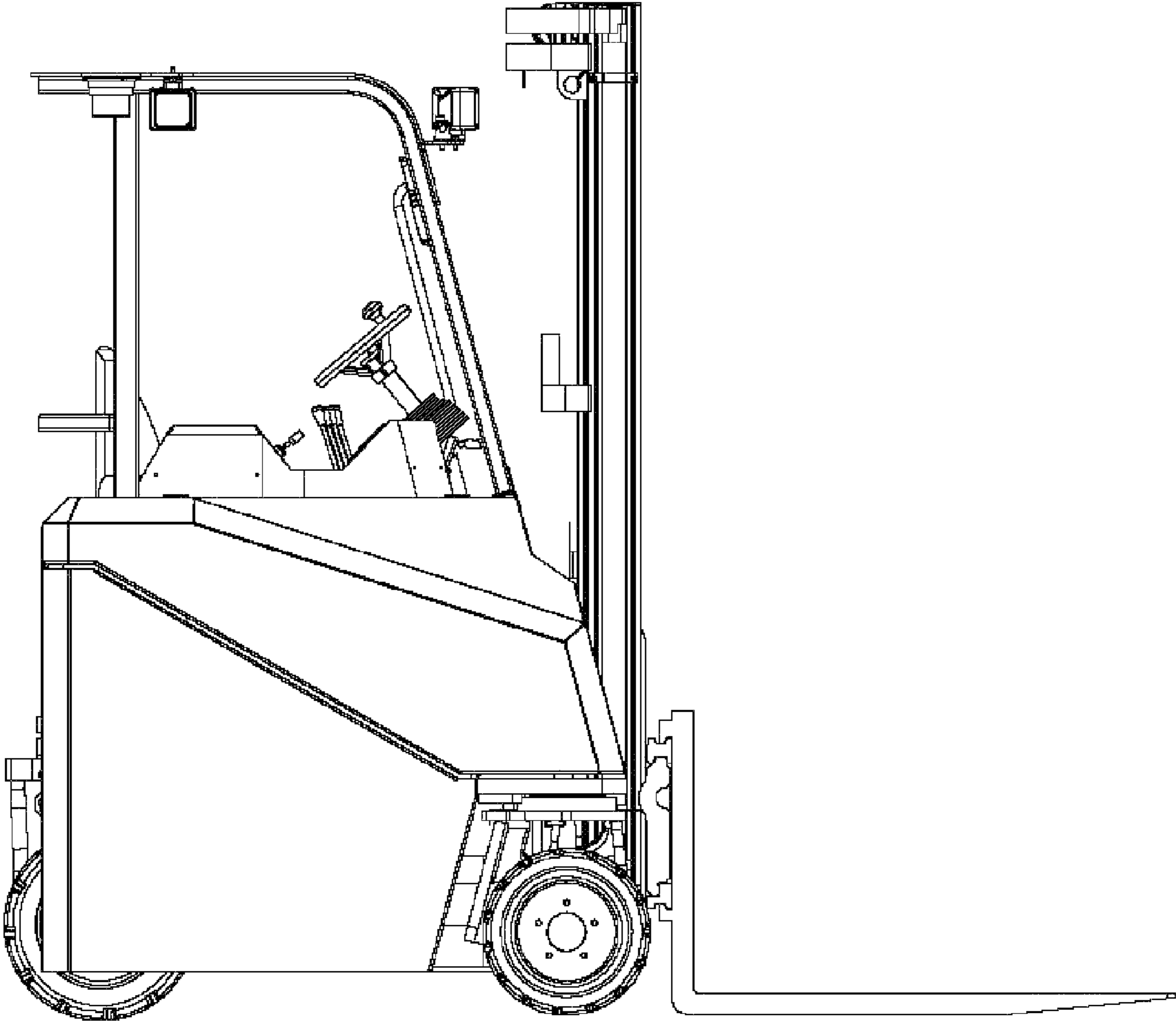


FIG. 4

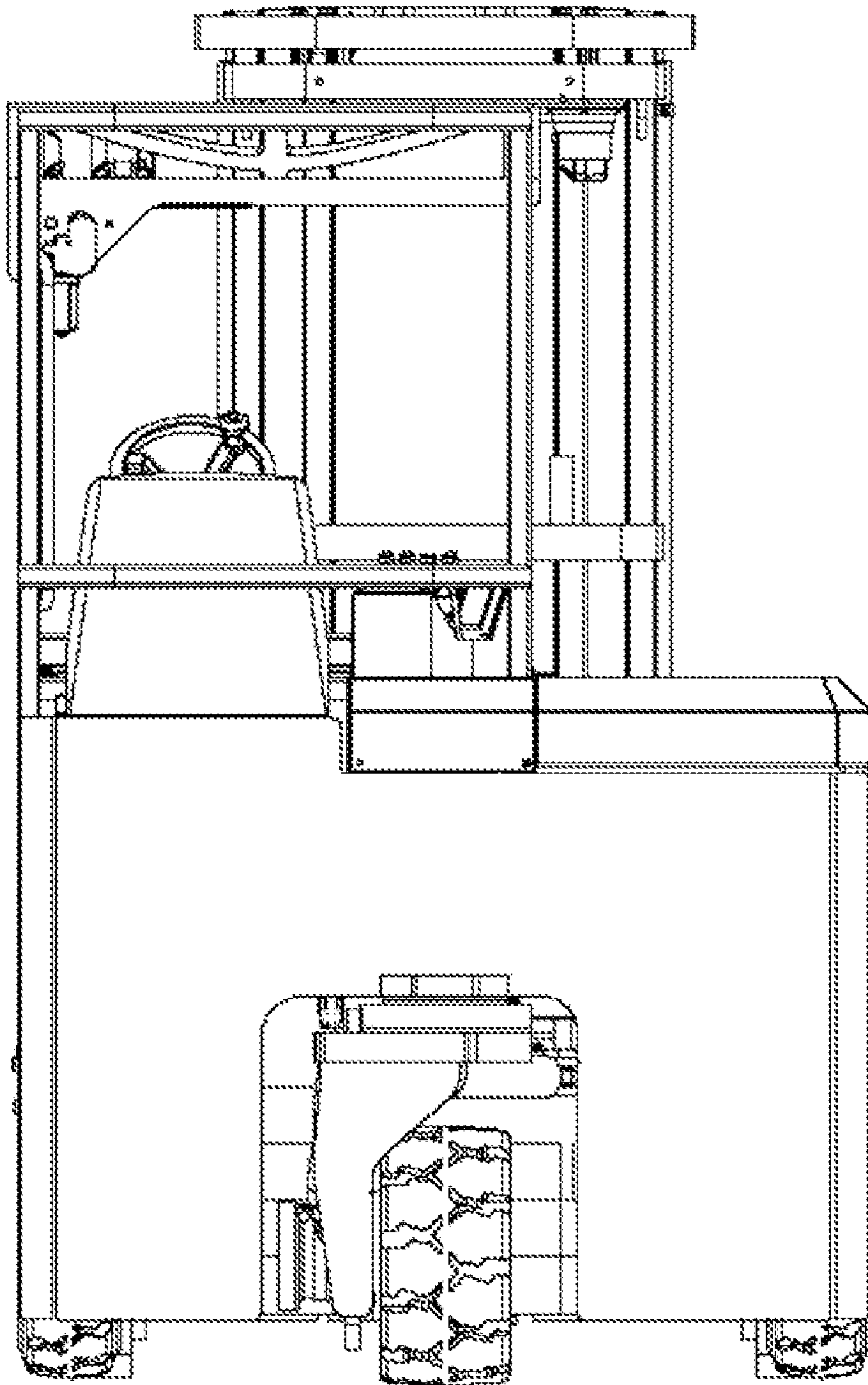


FIG. 5

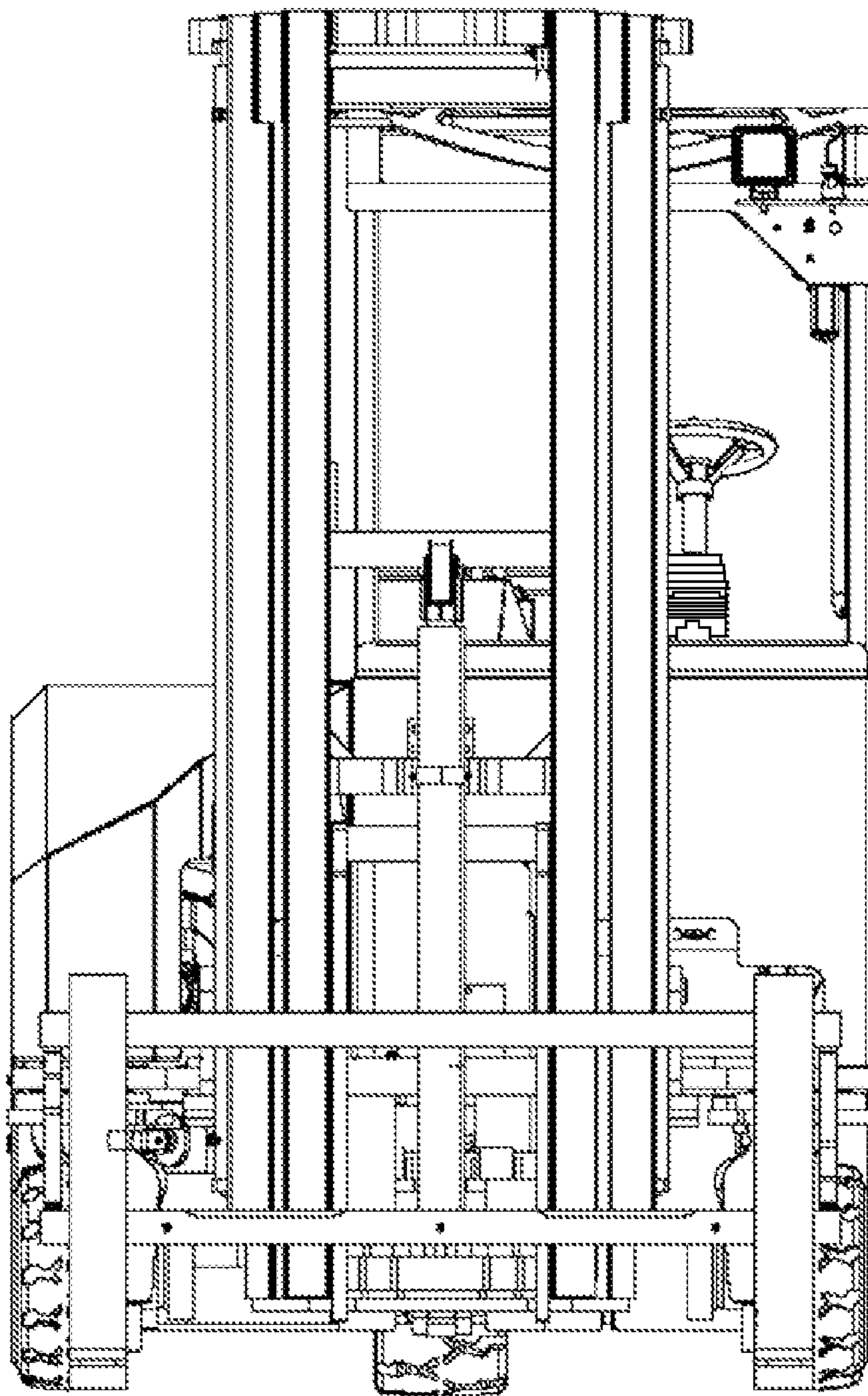


FIG. 6