



US00D579622S

(12) **United States Design Patent**
Kim

(10) **Patent No.:** **US D579,622 S**

(45) **Date of Patent:** **** Oct. 28, 2008**

(54) **FORKLIFT TRUCK**

(75) Inventor: **Nam Jun Kim**, Gyeongsangnam (KR)

(73) Assignee: **Clark Material Handling Asia** (KR)

(**) Term: **14 Years**

(21) Appl. No.: **29/293,518**

(22) Filed: **Nov. 29, 2007**

(51) **LOC (8) Cl.** **12-05**

(52) **U.S. Cl.** **D34/34**

(58) **Field of Classification Search** D34/34;
414/465, 529, 785, 607, 572; 187/222, 237,
187/238, 89.12, 89.14, 89.17

See application file for complete search history.

(56) **References Cited**

U.S. PATENT DOCUMENTS

D389,982 S *	1/1998	Kim	D34/34
D393,134 S *	3/1998	Mariano	D34/34
D393,516 S *	4/1998	Hahn et al.	D34/34
D395,532 S *	6/1998	Kim	D34/34
D396,928 S *	8/1998	Hahn et al.	D34/34
D412,385 S *	7/1999	Murakami et al.	D34/34
D448,136 S *	9/2001	Yurushi et al.	D34/34
D469,236 S *	1/2003	Mitsuyoshi et al.	D34/34
D470,990 S *	2/2003	Han et al.	D34/34

D471,340 S *	3/2003	Shibata et al.	D34/34
D492,831 S *	7/2004	Kouyama	D34/34
D526,460 S *	8/2006	Goto et al.	D34/34
D557,474 S *	12/2007	Kouyama et al.	D34/34
D565,825 S *	4/2008	Shibata et al.	D34/34
D570,575 S *	6/2008	Stark	D34/34

* cited by examiner

Primary Examiner—Cynthia E Ramirez

(74) *Attorney, Agent, or Firm*—Harness, Dickey & Pierce, P.L.C.

(57) **CLAIM**

The ornamental design for a forklift truck, as shown and described.

DESCRIPTION

FIG. 1 is a front perspective view of a forklift truck embodying my new design;

FIG. 2 is a rear view thereof;

FIG. 3 is a front view thereof;

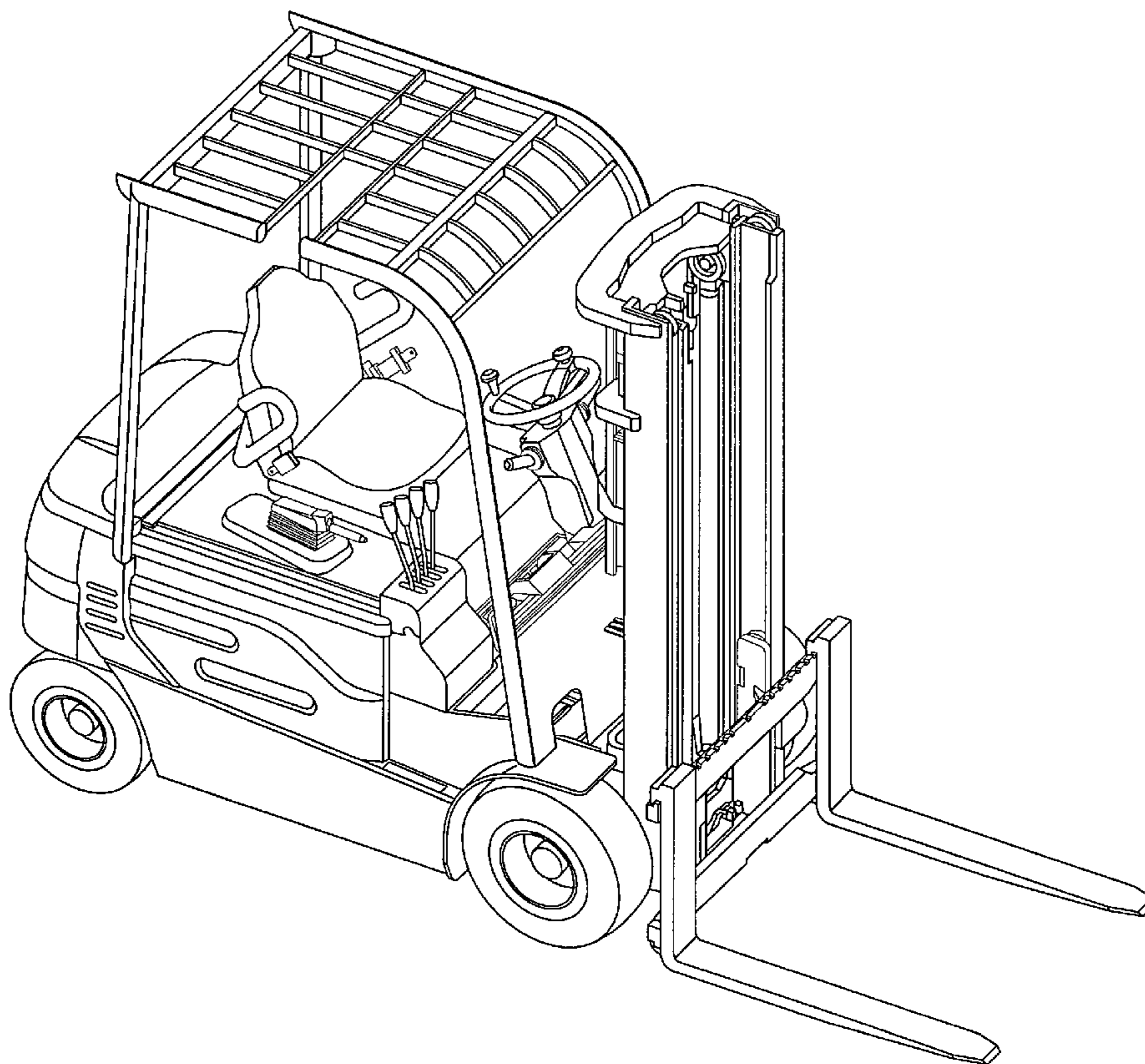
FIG. 4 is a left side view thereof;

FIG. 5 is a right side view thereof;

FIG. 6 is a top view thereof; and,

FIG. 7 is a bottom view thereof.

1 Claim, 7 Drawing Sheets



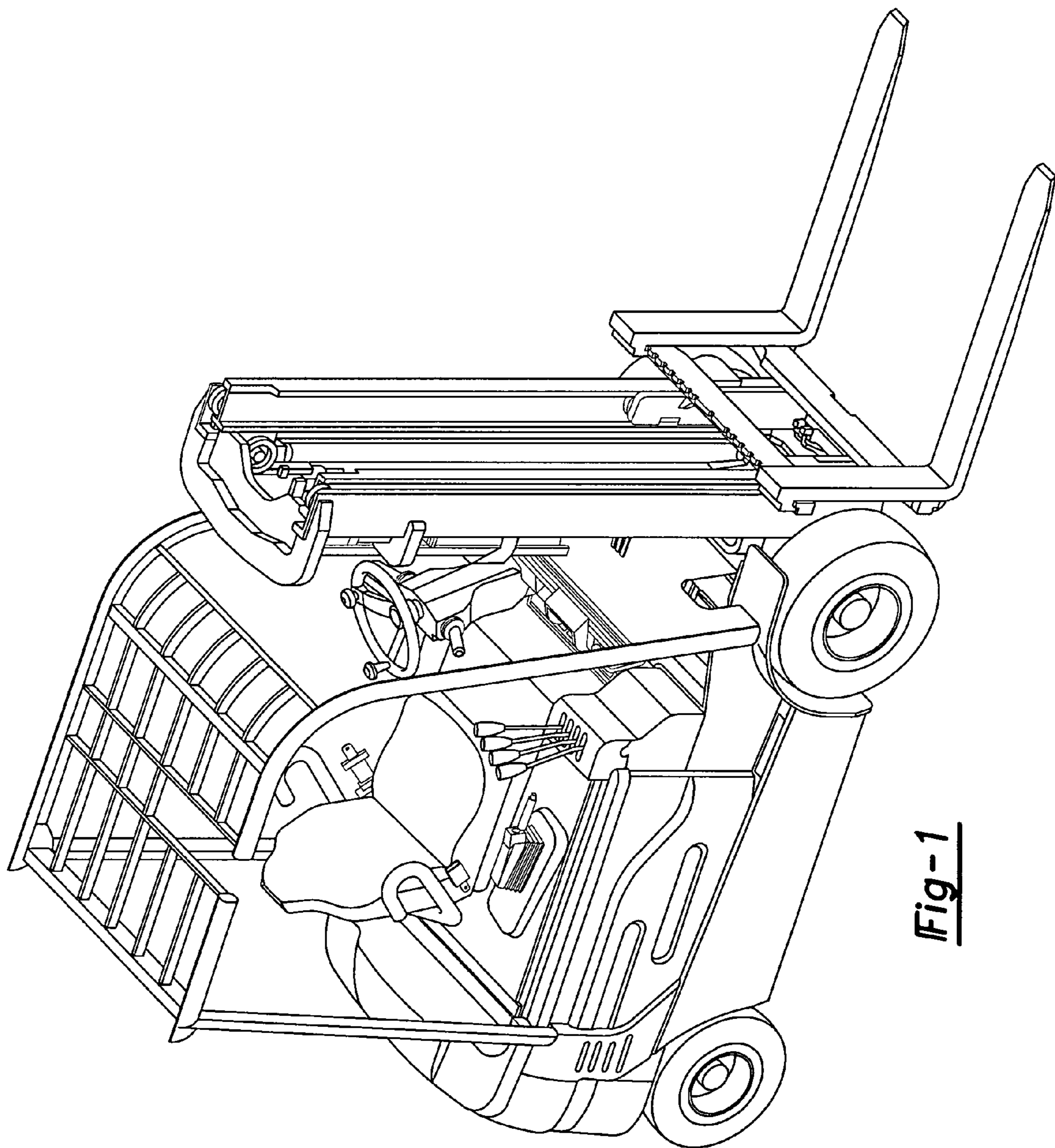


Fig-1

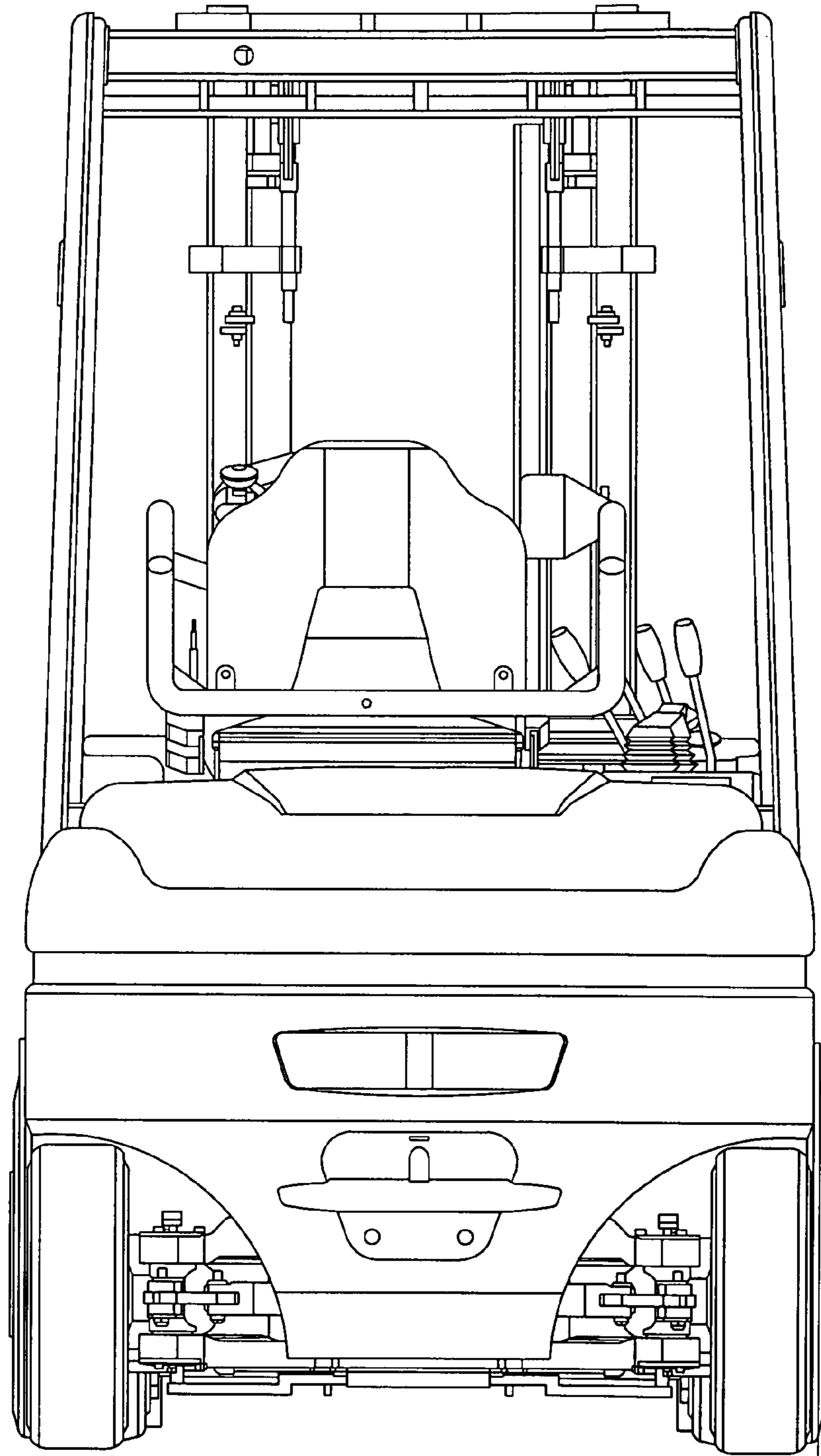


Fig-2

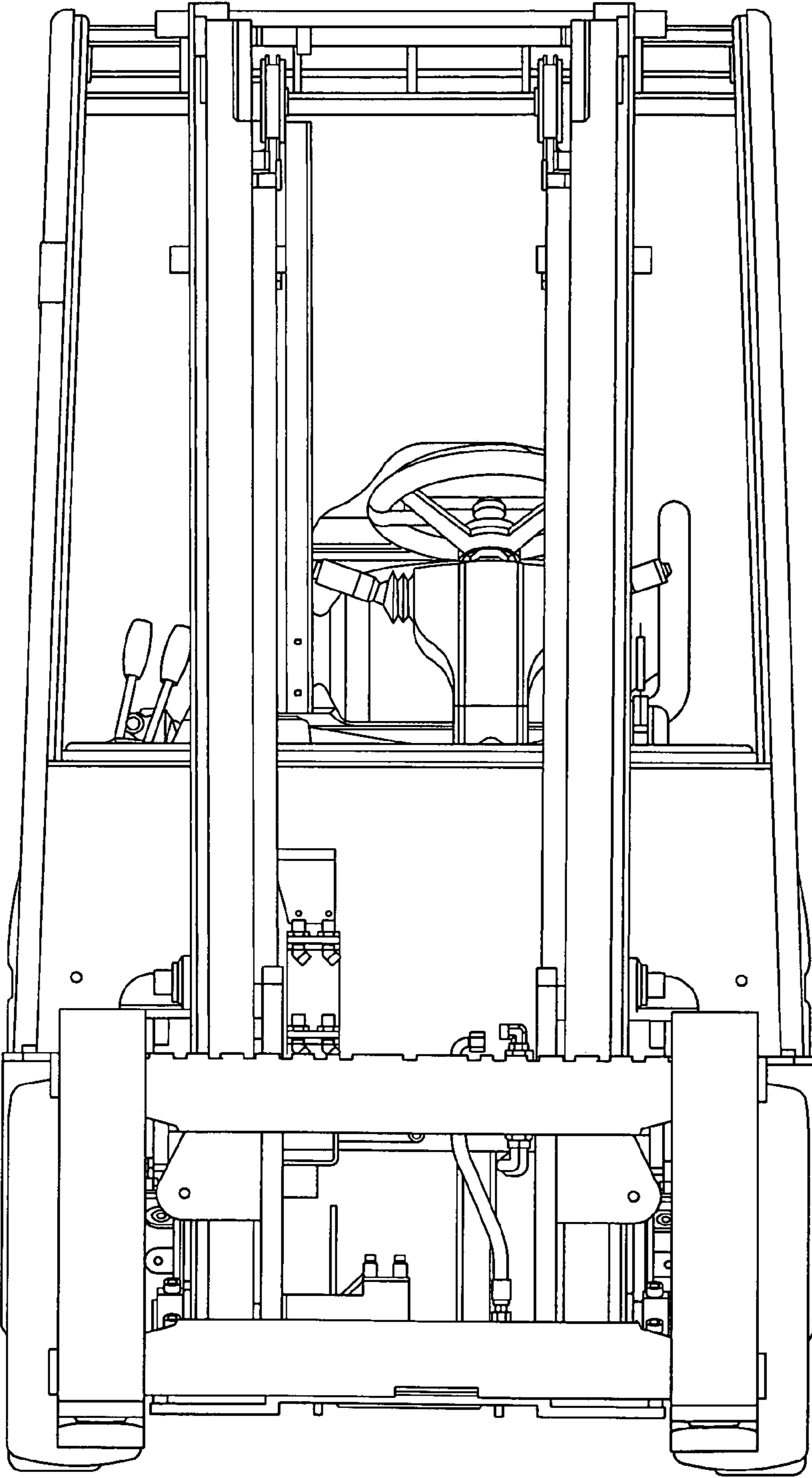


Fig-3

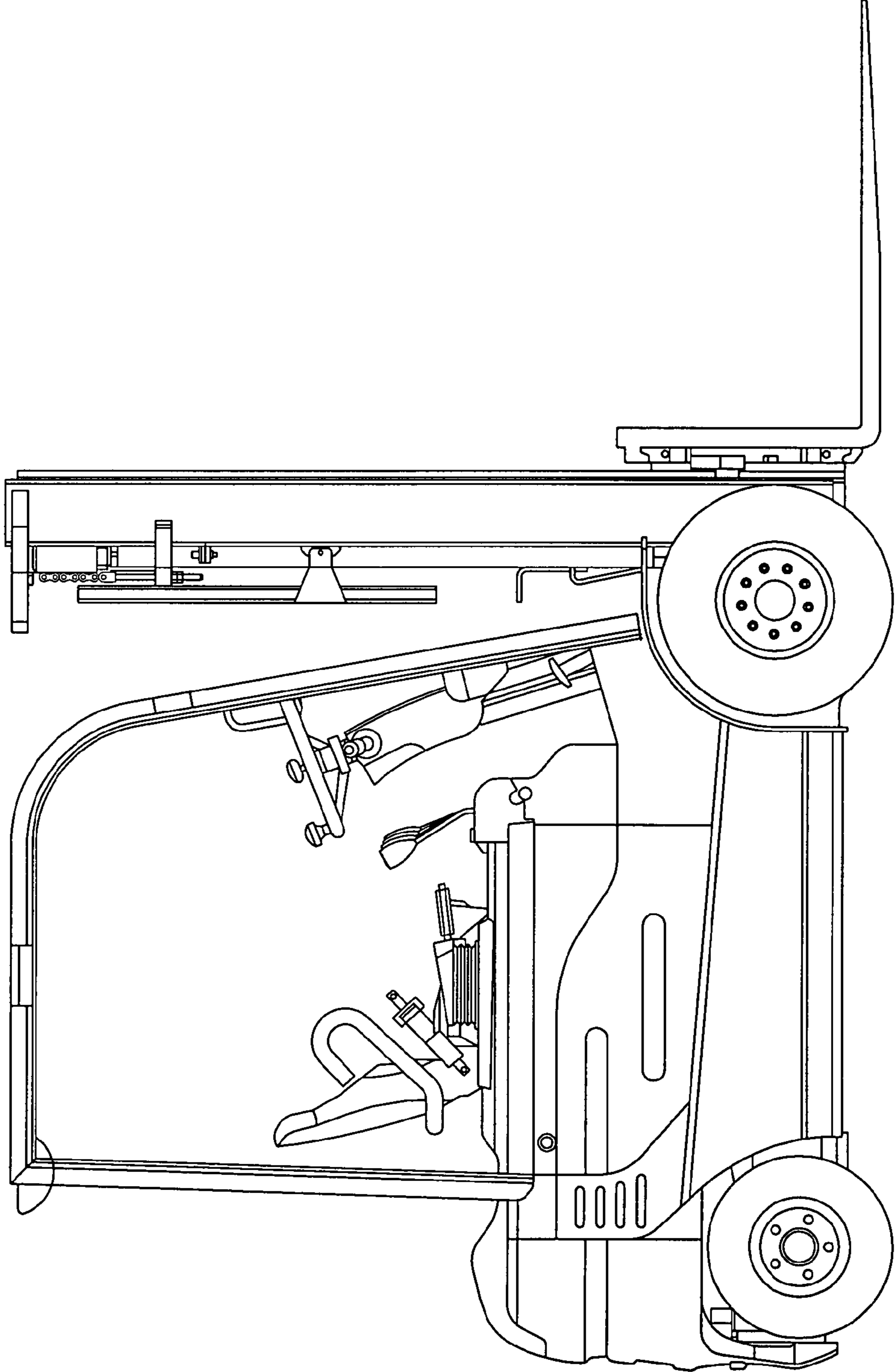


Fig-4

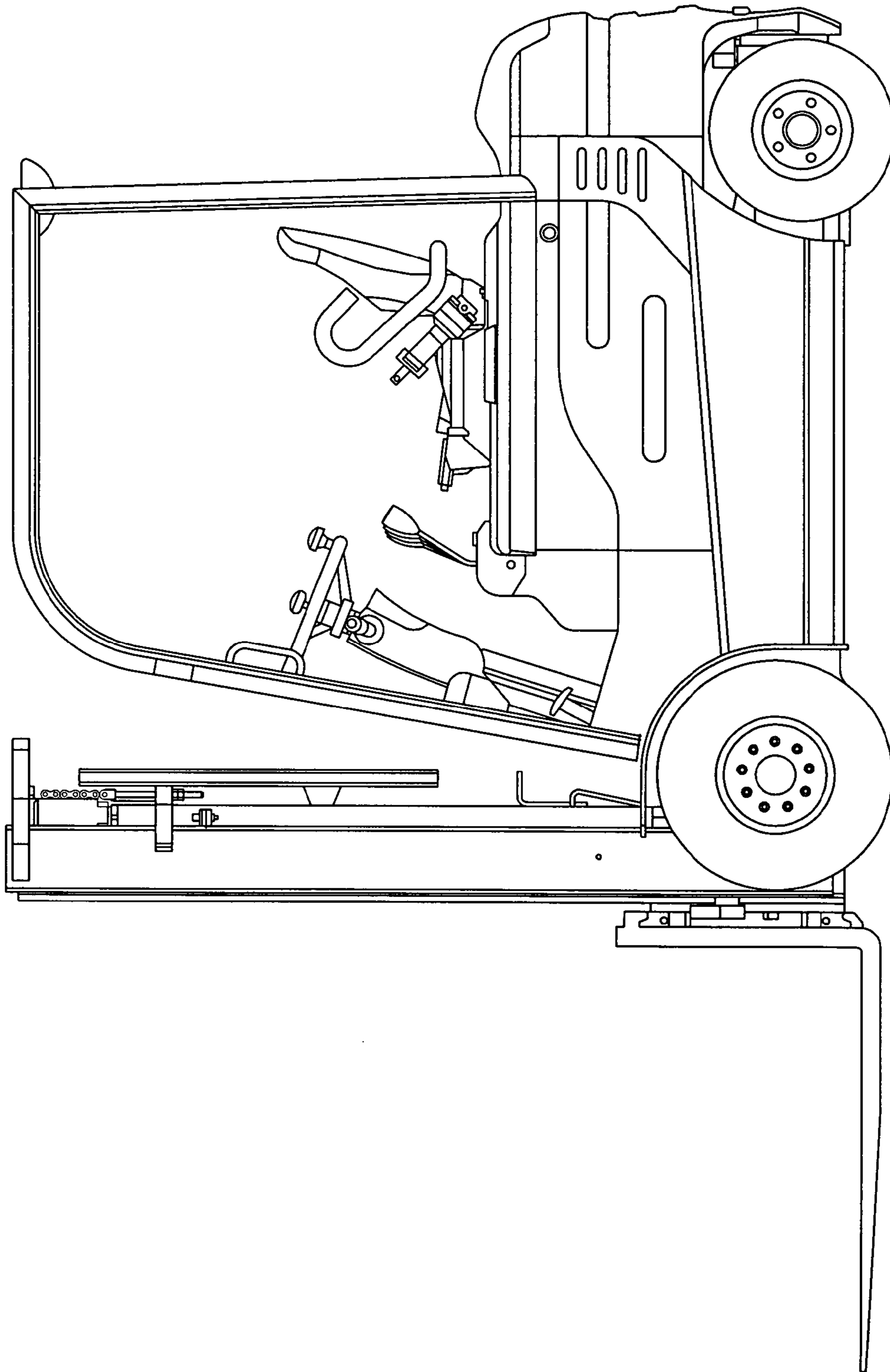


Fig-5

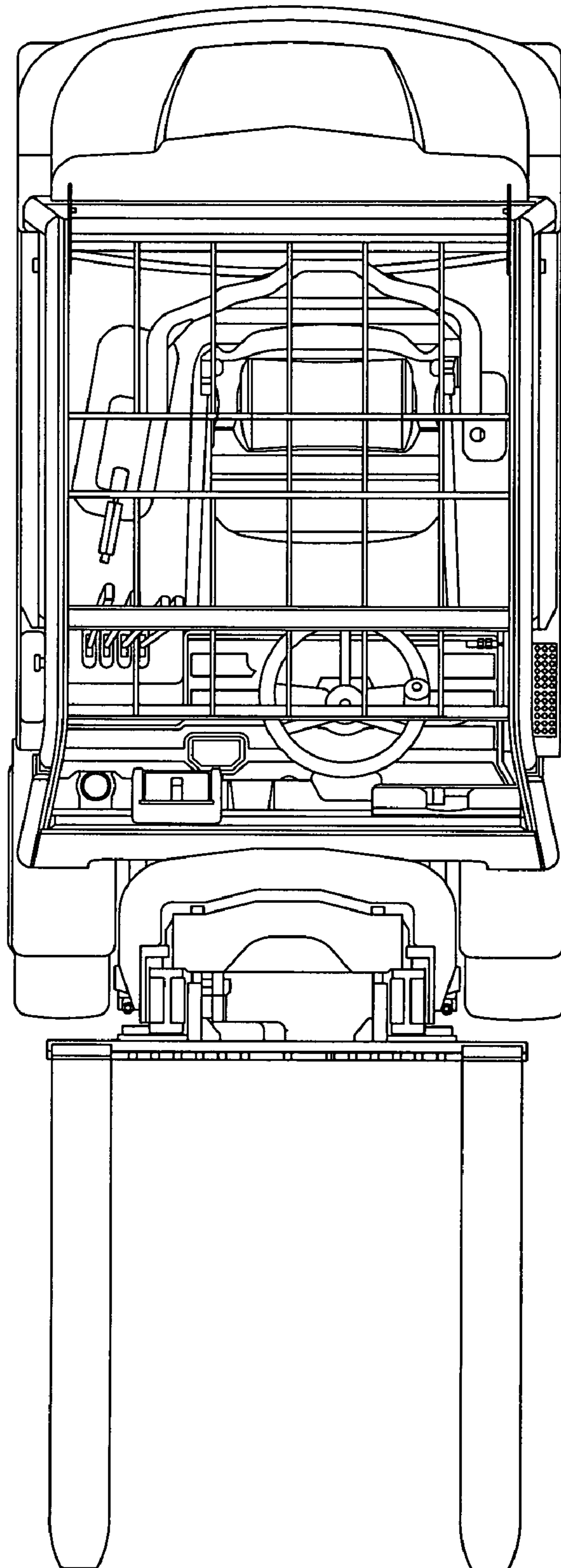


Fig-6

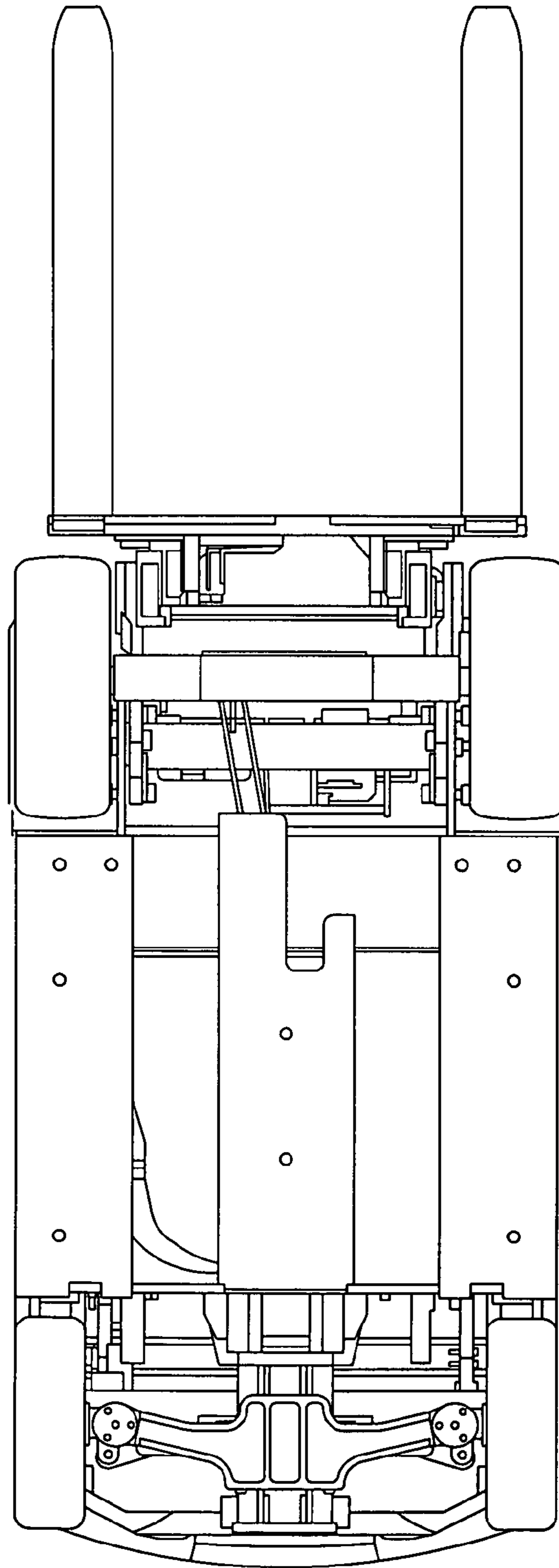


Fig-7

UNITED STATES PATENT AND TRADEMARK OFFICE
CERTIFICATE OF CORRECTION

PATENT NO. : Des. 579,622 S
APPLICATION NO. : 29/293518
DATED : October 28, 2008
INVENTOR(S) : Nam Jun Kim

Page 1 of 1

It is certified that error appears in the above-identified patent and that said Letters Patent is hereby corrected as shown below:

The patentee has correctly perfected its claim to priority by, *inter alia*, timely filing a certified copy of the priority document. Therefore, the front page of the patent is amended to add:

Title Page, (30) Foreign Application Priority Data:
Jun. 26, 2007 (KR)30-2007-0027458

Signed and Sealed this

Third Day of February, 2009



JOHN DOLL
Acting Director of the United States Patent and Trademark Office