



US00D579620S

(12) **United States Design Patent**
Mori et al.

(10) **Patent No.:** **US D579,620 S**

(45) **Date of Patent:** **** Oct. 28, 2008**

(54) **FORKLIFT TRUCK**

(75) Inventors: **Hiroki Mori**, Kariya (JP); **Tomomichi Miura**, Kariya (JP); **Masanori Shinoda**, Kariya (JP); **Takahito Miyake**, Kariya (JP)

(73) Assignee: **Kabushiki Kaisha Toyota Jidoshokki**, Kariya-shi (JP)

(**) Term: **14 Years**

(21) Appl. No.: **29/266,915**

(22) Filed: **Sep. 29, 2006**

(30) **Foreign Application Priority Data**

| | | | |
|---------------|------|-------|-------------|
| Mar. 31, 2006 | (JP) | | 2006-008556 |
| Mar. 31, 2006 | (JP) | | 2006-008557 |
| Mar. 31, 2006 | (JP) | | 2006-008558 |
| Mar. 31, 2006 | (JP) | | 2006-008559 |
| Mar. 31, 2006 | (JP) | | 2006-008560 |

(51) **LOC (8) Cl.** **12-05**

(52) **U.S. Cl.** **D34/34; D34/35**

(58) **Field of Classification Search** D34/34,
D34/35, 37; 180/89.12, 89.13, 89.17; 187/222,
187/237, 238, 414

See application file for complete search history.

(56) **References Cited**

U.S. PATENT DOCUMENTS

| | | | | | |
|----------|-----|---------|-----------------|-------|--------|
| D412,385 | S * | 7/1999 | Murakami et al. | | D34/34 |
| D427,409 | S * | 6/2000 | Sato et al. | | D34/34 |
| D444,607 | S * | 7/2001 | Yurushi et al. | | D34/34 |
| D448,136 | S * | 9/2001 | Yurushi et al. | | D34/34 |
| D452,598 | S * | 12/2001 | Sato | | D34/34 |
| D464,784 | S * | 10/2002 | Sato | | D34/35 |
| D466,669 | S * | 12/2002 | Kraimer et al. | | D34/34 |

| | | | | | |
|----------|-----|---------|----------------|-------|--------|
| D468,885 | S * | 1/2003 | Salin et al. | | D34/34 |
| D471,340 | S * | 3/2003 | Shibata et al. | | D34/34 |
| D471,689 | S * | 3/2003 | Shibata et al. | | D34/34 |
| D492,831 | S * | 7/2004 | Kouyama | | D34/34 |
| D518,268 | S * | 3/2006 | Stark | | D34/34 |
| D526,460 | S * | 8/2006 | Goto et al. | | D34/34 |
| D551,423 | S * | 9/2007 | Kodama et al. | | D34/34 |
| D555,872 | S * | 11/2007 | Brown et al. | | D34/27 |
| D557,474 | S * | 12/2007 | Kouyama et al. | | D34/34 |

FOREIGN PATENT DOCUMENTS

JP 1053353-2 11/1999

* cited by examiner

Primary Examiner—Cynthia E Ramirez

(74) *Attorney, Agent, or Firm*—Morgan & Finnegan, LLP

(57) **CLAIM**

The ornamental design for a forklift truck, as shown and described.

DESCRIPTION

FIG. 1 is a front perspective view of a forklift truck showing our new design;

FIG. 2 is a rear perspective view thereof;

FIG. 3 is a front view thereof;

FIG. 4 is a rear view thereof;

FIG. 5 is a top plan view thereof;

FIG. 6 is a right side elevational view thereof; and,

FIG. 7 is a left side elevational view thereof.

The bottom plan view is omitted since this article is a heavy item. The broken lines are shown for illustrative purposes only and form no part of the claimed design. The dot-dashed lines denote the boundary of the claim, and form no part of the claimed design.

1 Claim, 6 Drawing Sheets

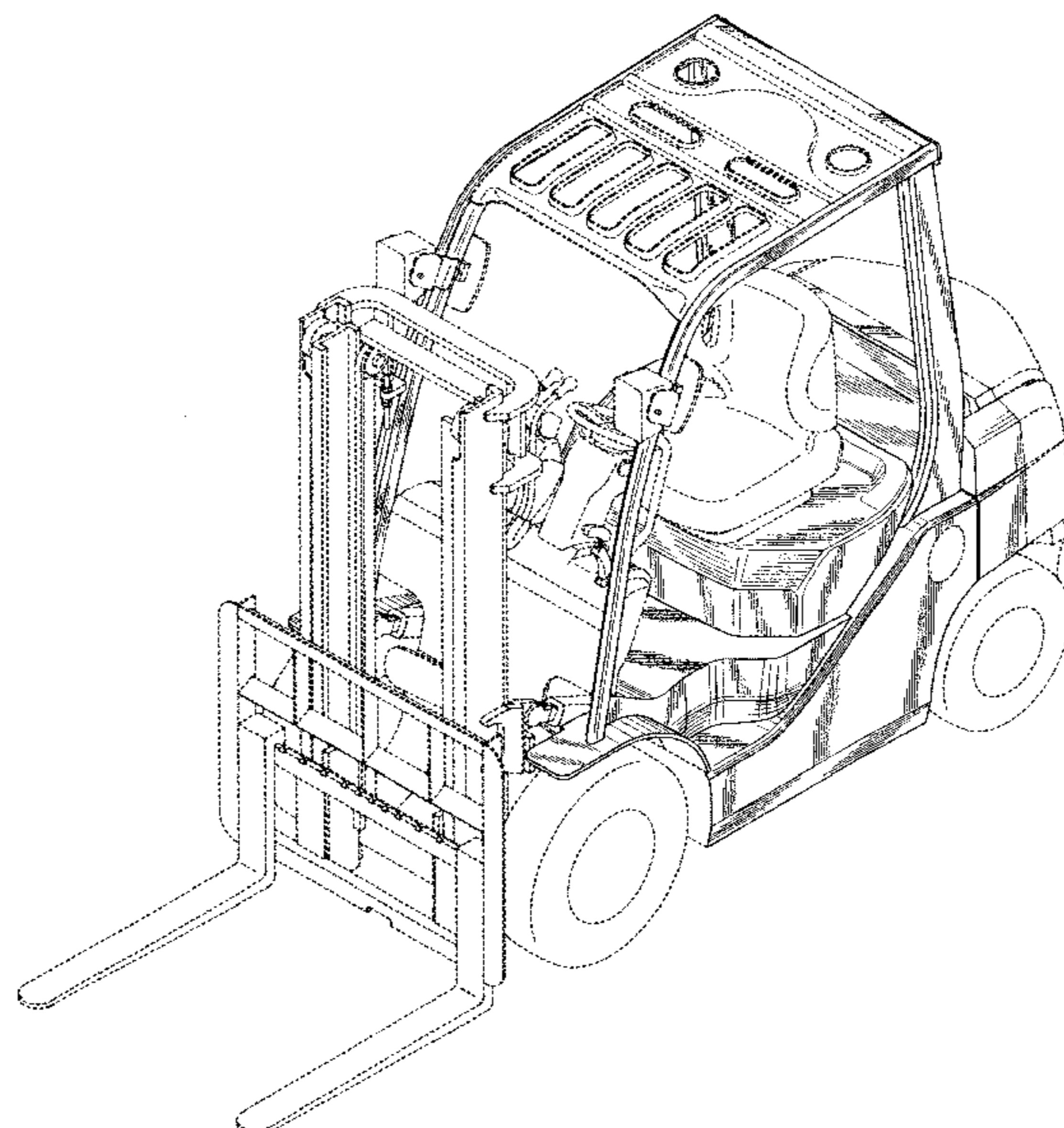


FIG. 1

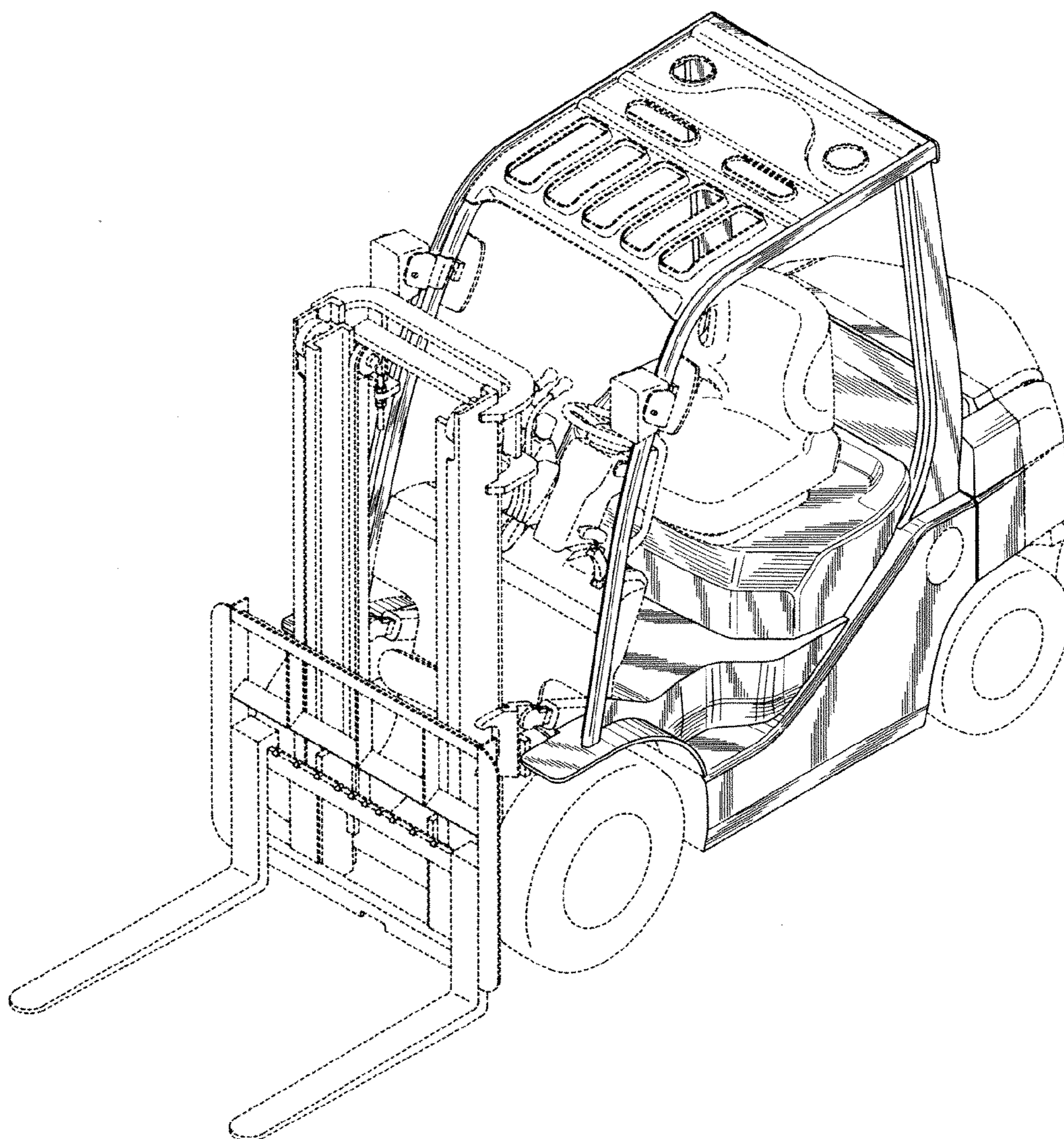


FIG. 2

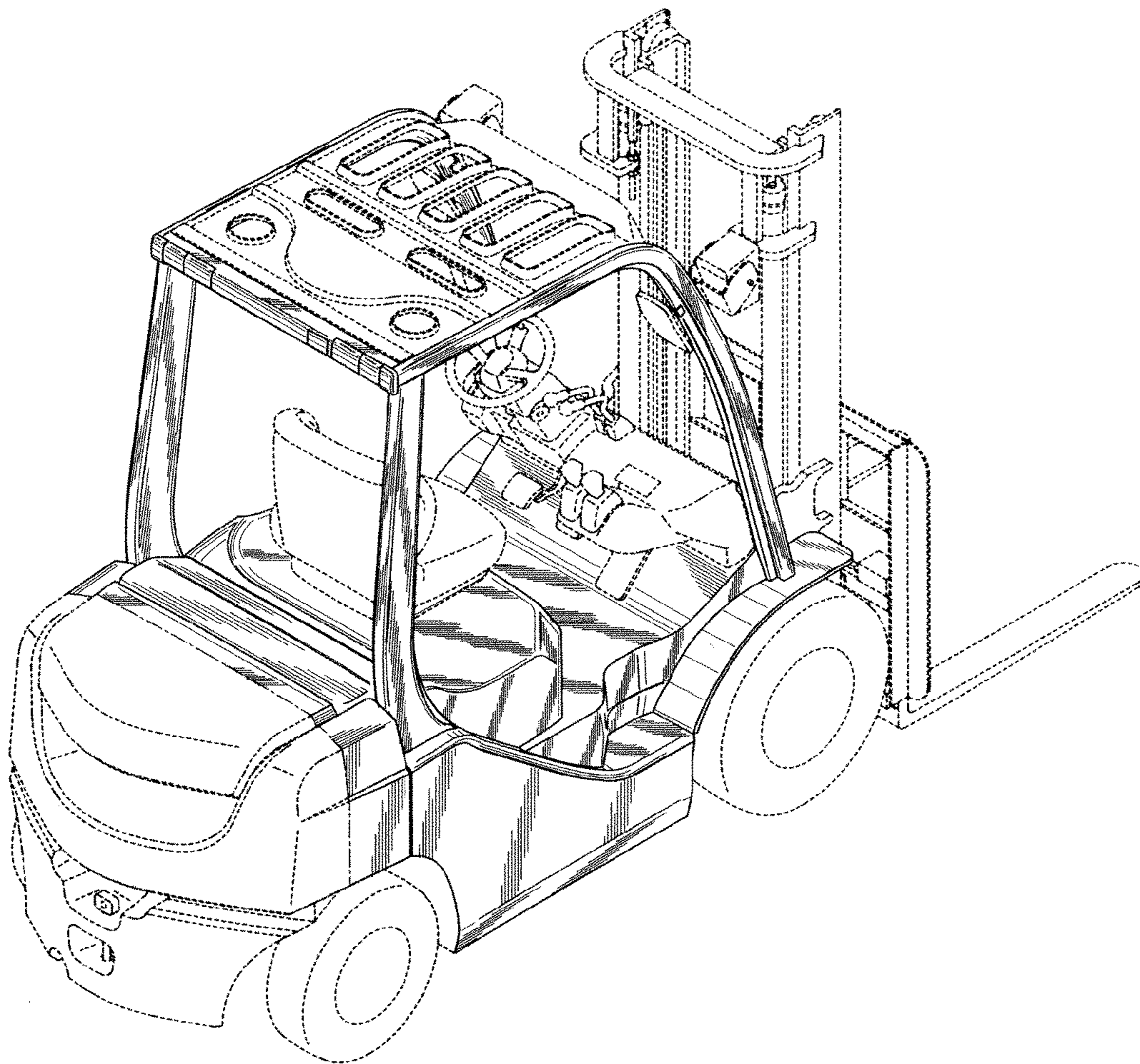


FIG. 3

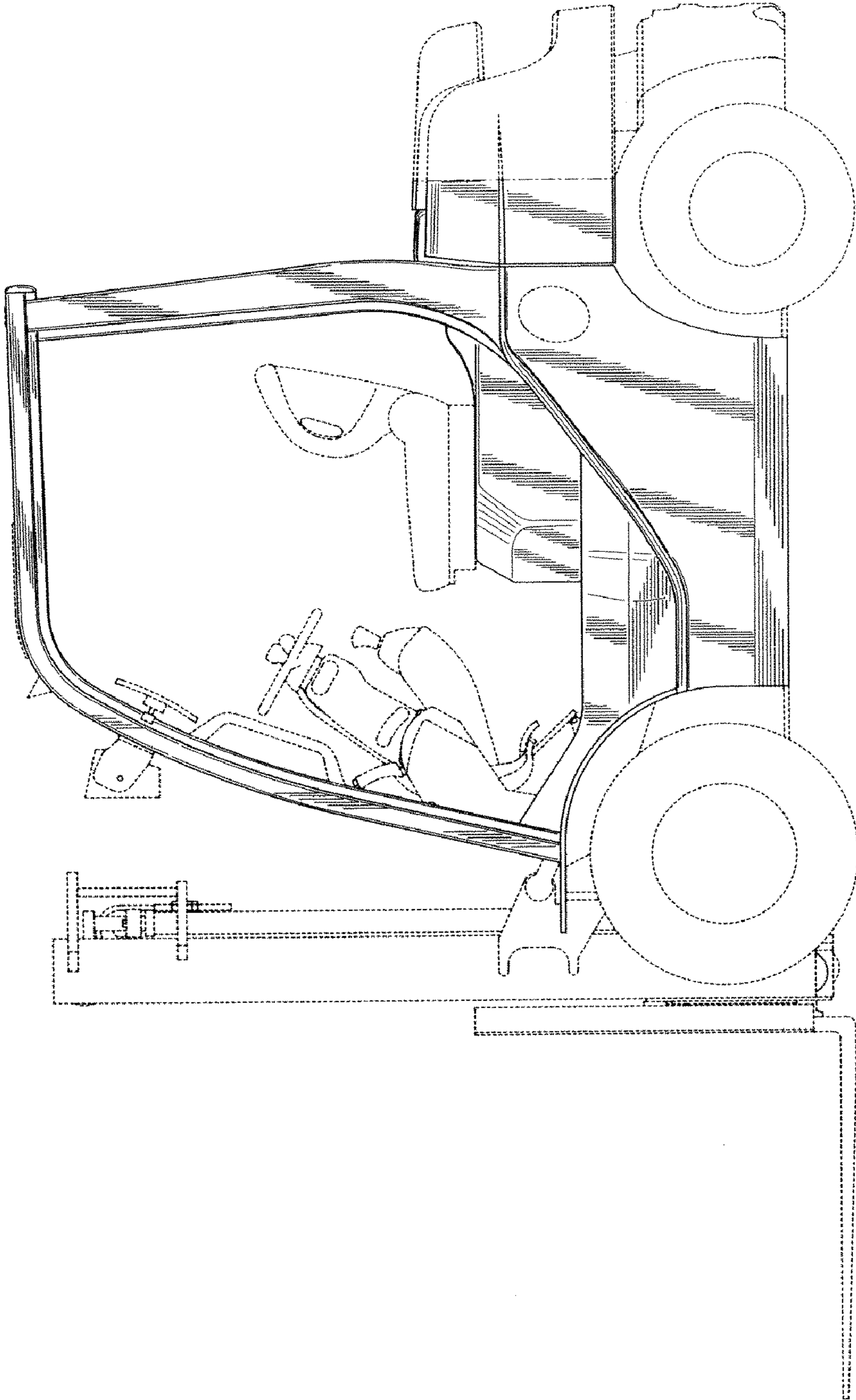


FIG. 4

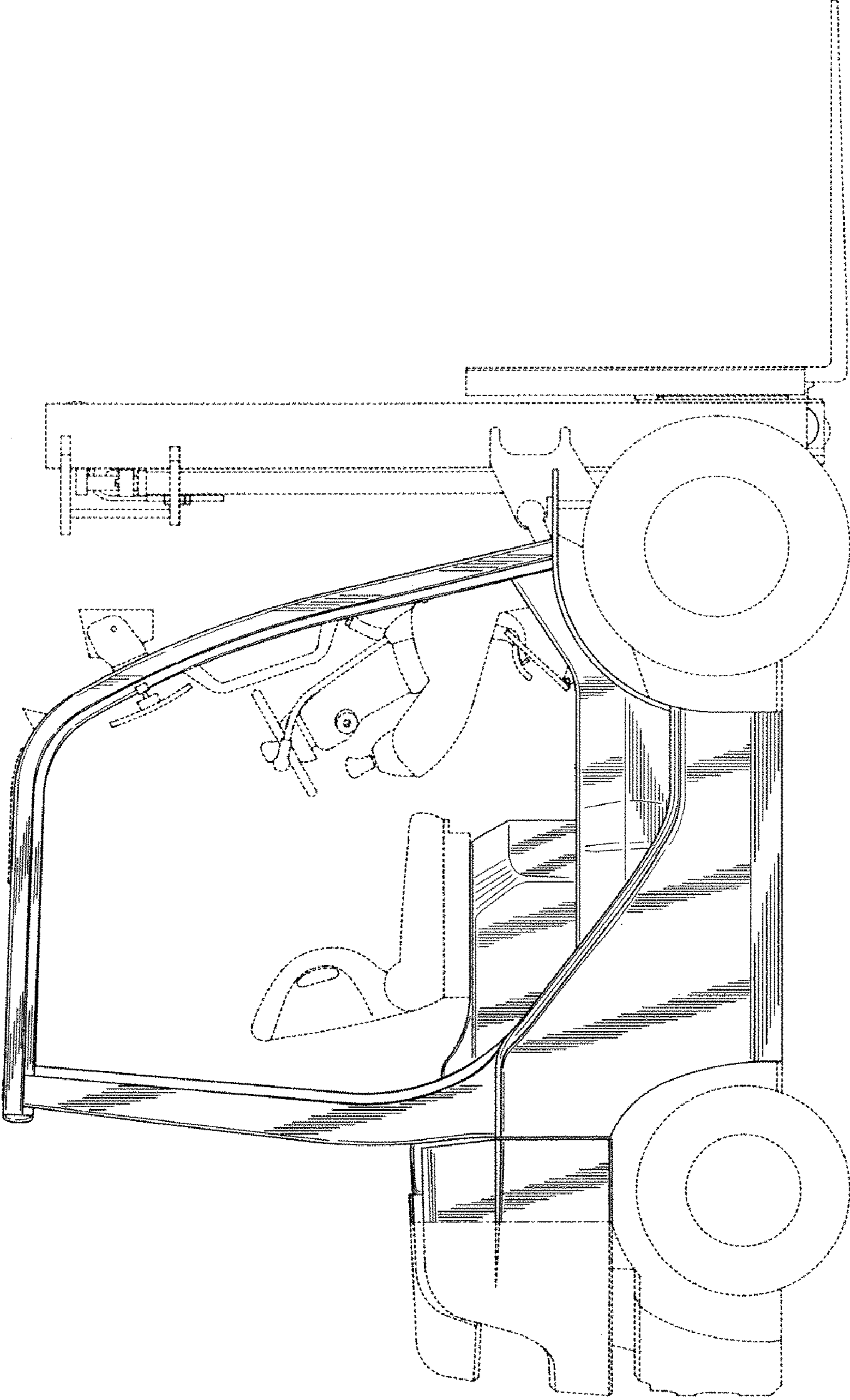


FIG. 5

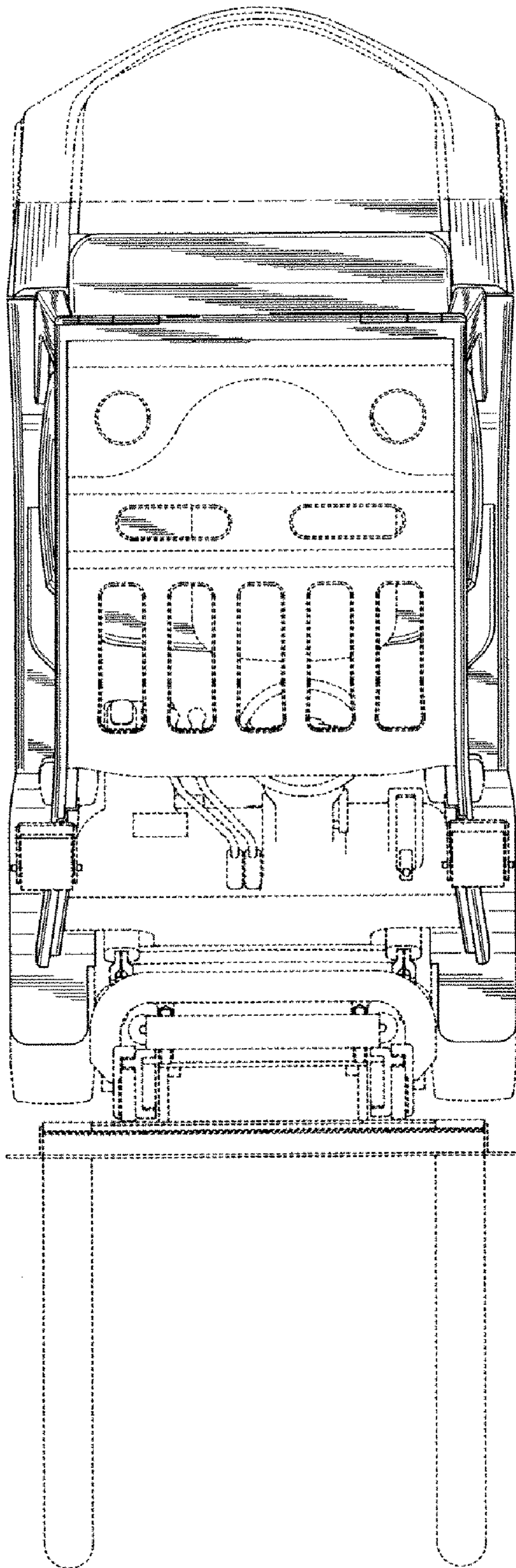


FIG. 7

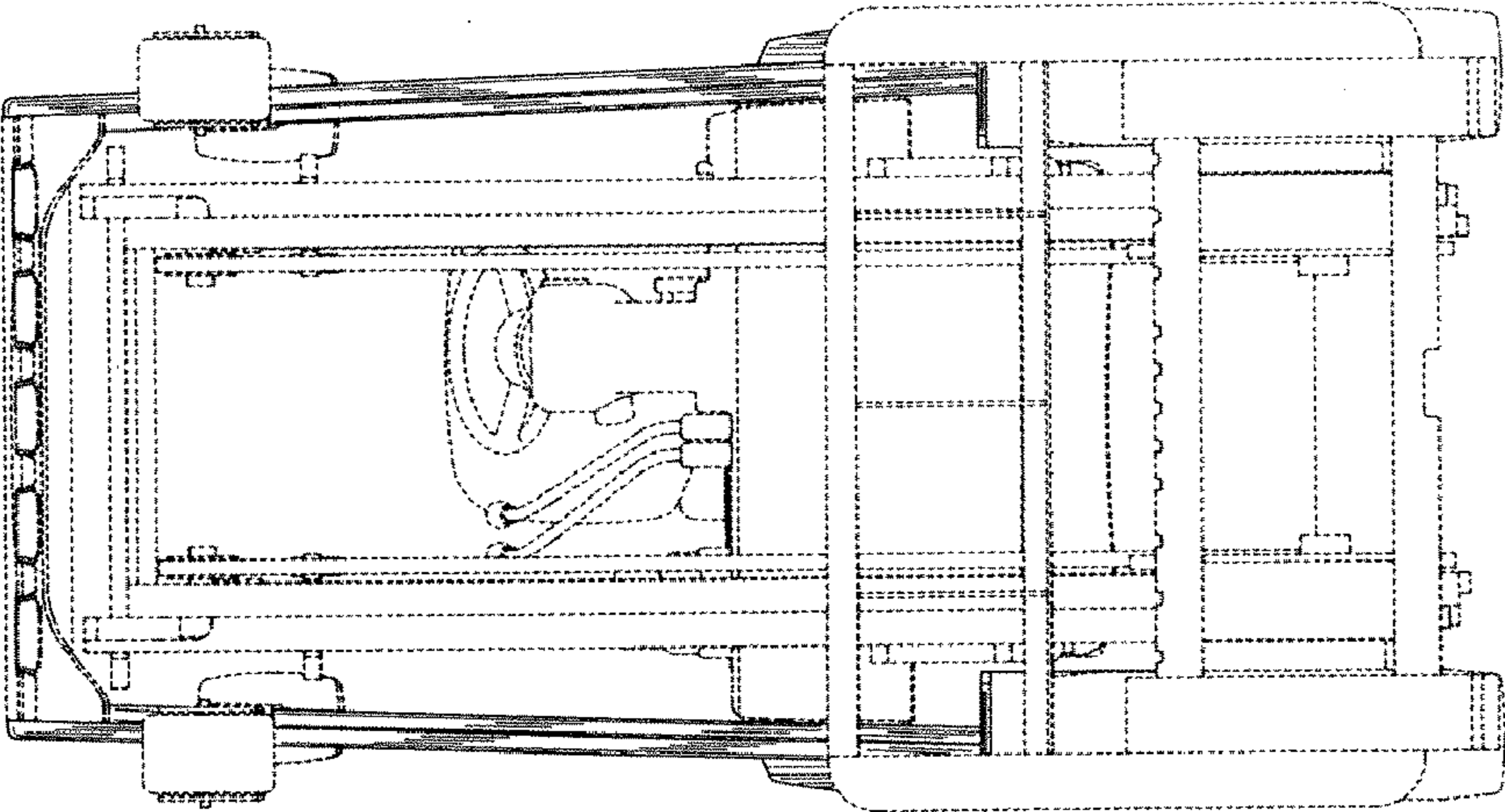


FIG. 6

