



US00D579617S

(12) **United States Design Patent**
Malczewski et al.

(10) **Patent No.:** **US D579,617 S**
(45) **Date of Patent:** **** Oct. 28, 2008**

(54) **RECYCLE CENTER**

(75) Inventors: **Edmund A. Malczewski**, Milwaukee, WI (US); **Casey M. Dembowiak**, Greenfield, WI (US)

(73) Assignee: **Riverwest Engineering & Design, Inc.**, Milwaukee, WI (US)

(**) Term: **14 Years**

(21) Appl. No.: **29/296,156**

(22) Filed: **Oct. 15, 2007**

(51) **LOC (8) Cl.** **09-09**

(52) **U.S. Cl.** **D34/1**

(58) **Field of Classification Search** D34/1,
D34/5, 6, 7, 8, 9, 10, 11; 220/908-913
See application file for complete search history.

(56) **References Cited**

U.S. PATENT DOCUMENTS

63,383 A	4/1867	Hanks
100,123 A	2/1870	Crofoot
102,616 A	5/1870	Sweigert
447,686 A	3/1891	Holladay
653,035 A	7/1900	Noble
1,022,862 A	4/1912	McMillen
2,470,977 A	5/1949	Chidsey, Jr.
3,502,291 A	3/1970	Ackerman et al.
3,659,816 A	5/1972	Wilson
3,948,474 A	4/1976	Pomroy
4,593,873 A	6/1986	Nelson
4,613,104 A	9/1986	Garrott
4,697,771 A	10/1987	Majors
4,711,367 A	12/1987	Albertson
4,723,741 A	2/1988	Doering

4,793,628 A	12/1988	Haley, Sr.
D304,873 S	11/1989	Ruehland
4,953,815 A	9/1990	Beymer et al.
5,044,644 A *	9/1991	Duran et al. 280/47.35
5,076,458 A	12/1991	Weiner et al.
5,203,618 A *	4/1993	Oshall 312/290
D337,402 S *	7/1993	Buelle D34/1
D352,581 S	11/1994	Fredericks

(Continued)

Primary Examiner—Cynthia E Ramirez

(74) *Attorney, Agent, or Firm*—Boyle Fredrickson S.C.

(57) **CLAIM**

The ornamental design for a recycle center, as shown and described.

DESCRIPTION

FIG. 1 is an isometric view of a recycle center in accordance with the present invention;

FIG. 2 is a top plan view of the recycle center of FIG. 1;

FIG. 3 is a front elevational view of the recycle center of FIG. 1;

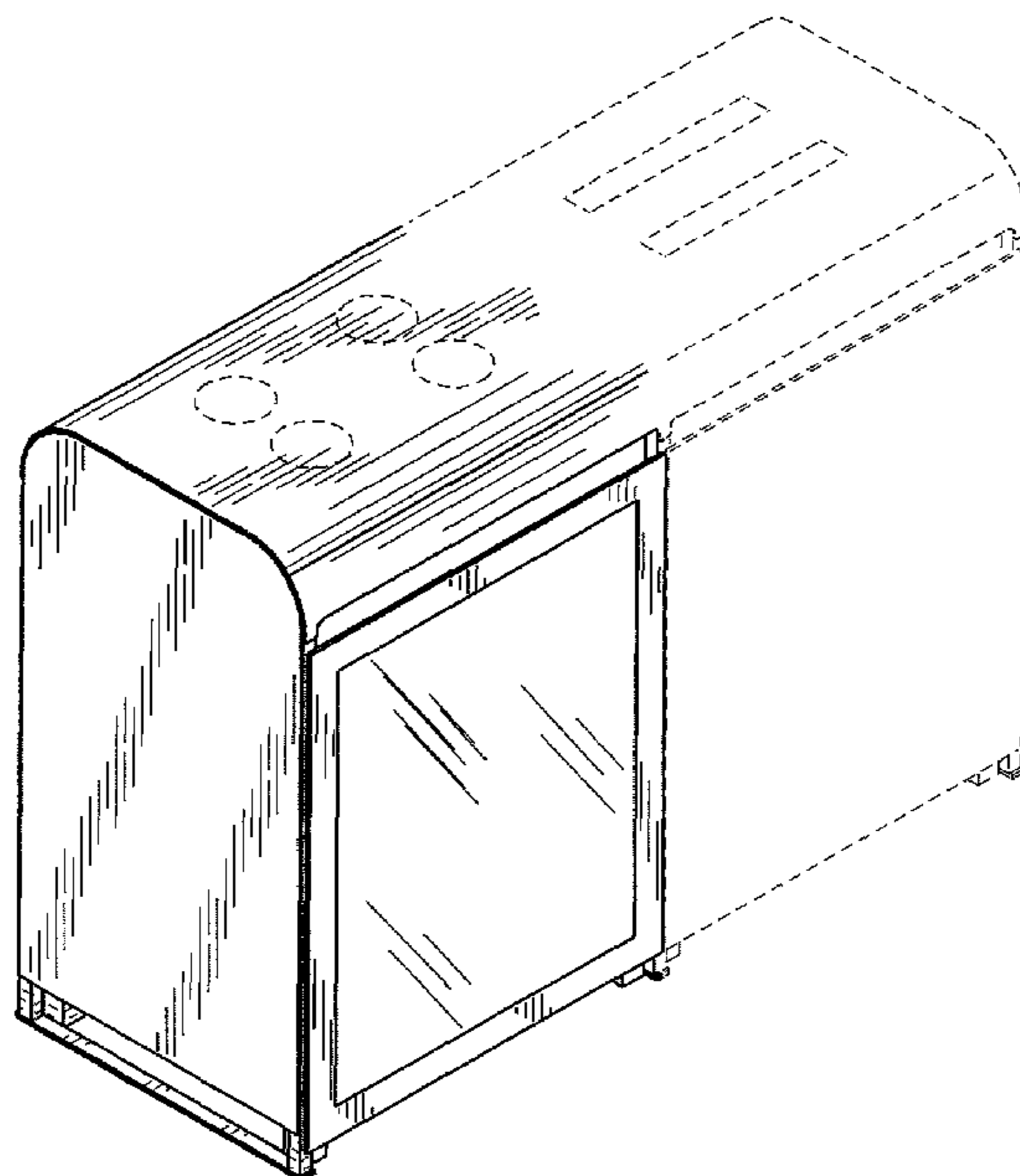
FIG. 4 is a bottom plan view of the recycle center of FIG. 1; FIG. 5 is a side elevational view of a first side of the recycle center of FIG. 1;

FIG. 6 is a side elevational view of a second side of the recycle center of FIG. 1; and,

FIG. 7 is a rear elevational view of the recycle center of FIG. 1.

The broken line in the drawings is included for illustrative purpose only and forms no part of the claimed design.

1 Claim, 3 Drawing Sheets



US D579,617 S

Page 2

U.S. PATENT DOCUMENTS			
5,360,189	A	11/1994	Hart
5,390,813	A	2/1995	Anderson et al.
5,398,838	A	3/1995	Dosunmu
D358,012	S	5/1995	Faulkner et al.
5,411,229	A	5/1995	Hoefkes
5,570,862	A	11/1996	Nugent
D388,922	S	* 1/1998	Peters D34/1
5,799,908	A	9/1998	Downs
5,819,974	A	10/1998	Caldwell
5,887,696	A	3/1999	Goetz
D423,168	S	4/2000	Studstill
6,076,782	A	6/2000	Alderman
D428,229	S	* 7/2000	Olivetti D34/1
6,116,549	A	9/2000	Santa Cruz et al.
6,334,593	B2	1/2002	Inoue
6,491,264	B1	12/2002	Valesquez
6,550,792	B1	4/2003	Salmon et al.
D481,509	S	10/2003	Perelli
6,676,141	B1	1/2004	Hadley
D507,089	S	* 7/2005	Enayati et al. D34/1
7,032,868	B2	4/2006	Mutert
D521,204	S	5/2006	Lauer
D531,373	S	10/2006	DesLaurier
7,188,745	B2	3/2007	Schermel
D546,521	S	7/2007	Mutert
D552,320	S	10/2007	Presnell et al.

* cited by examiner

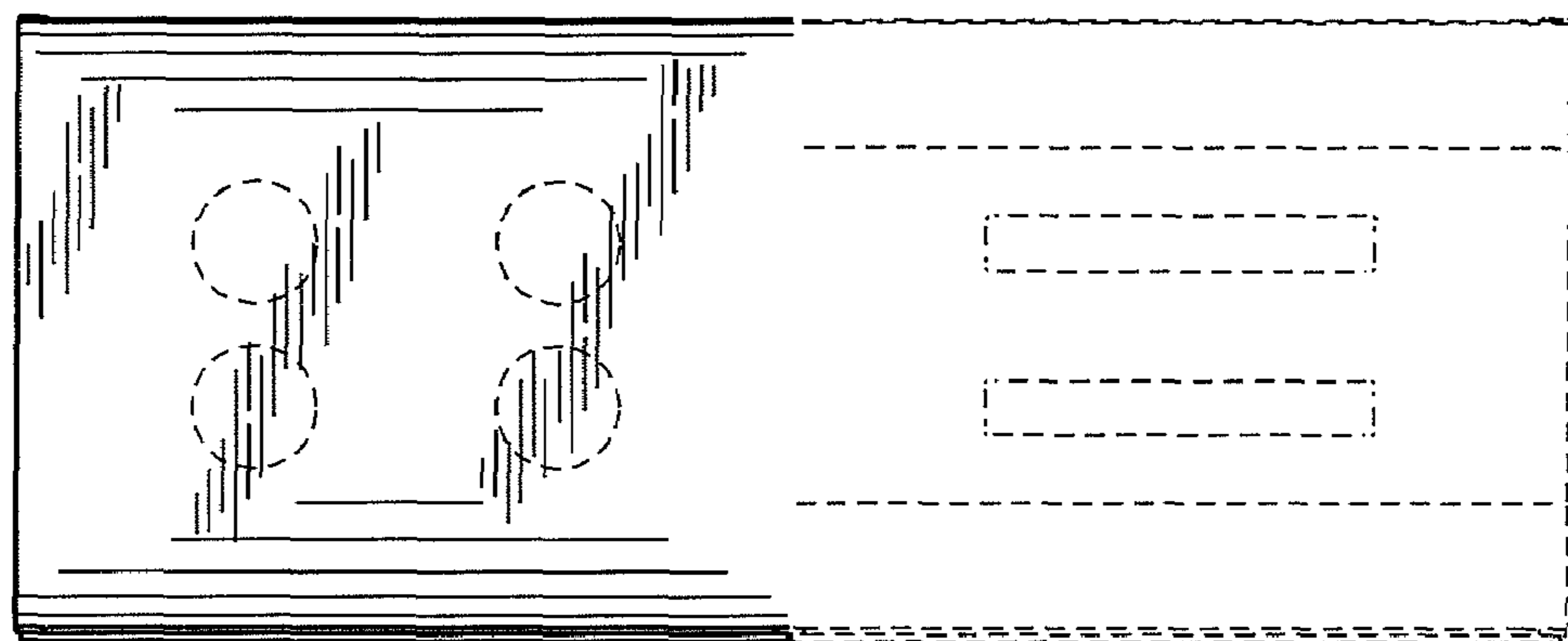
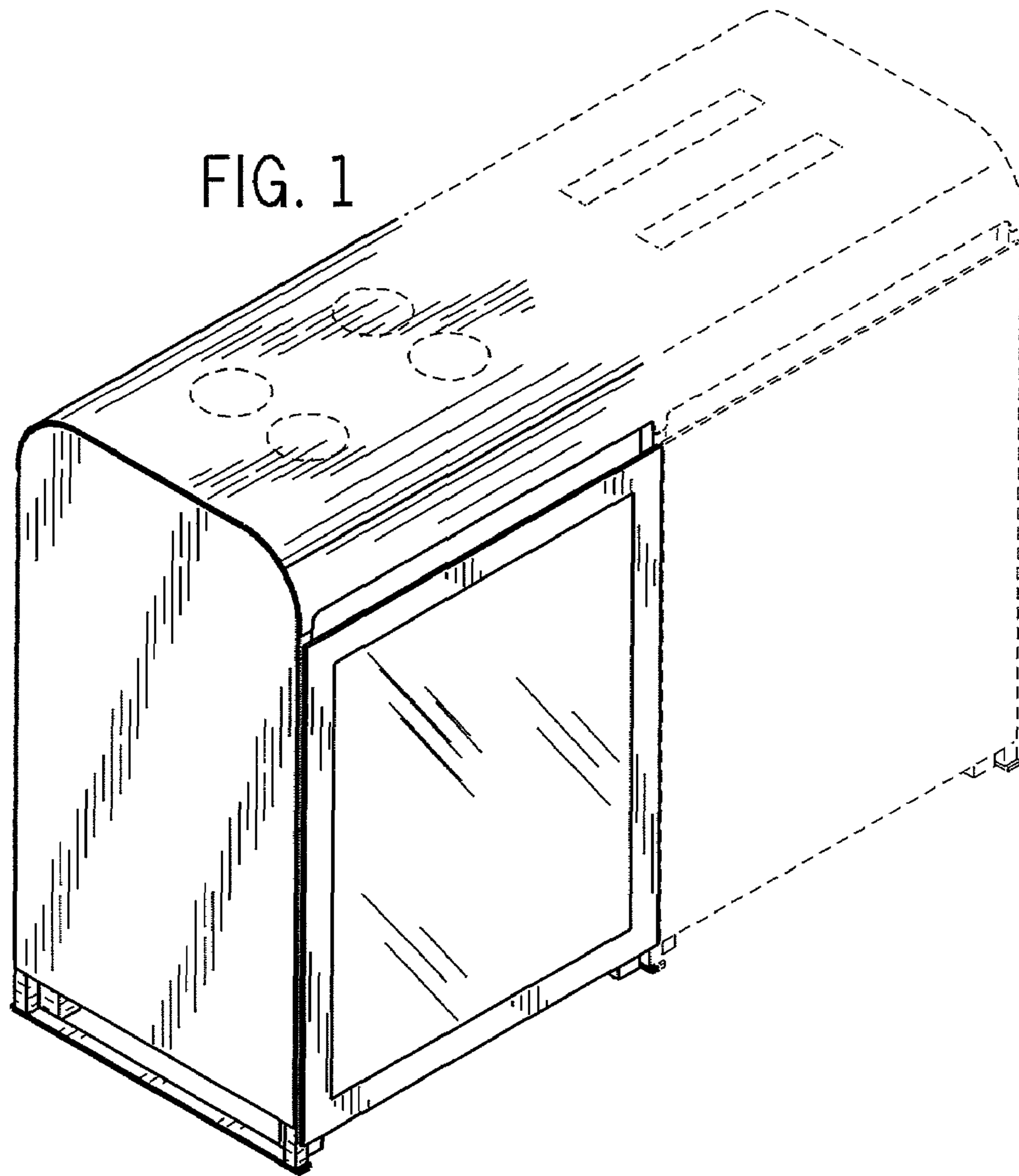


FIG. 2

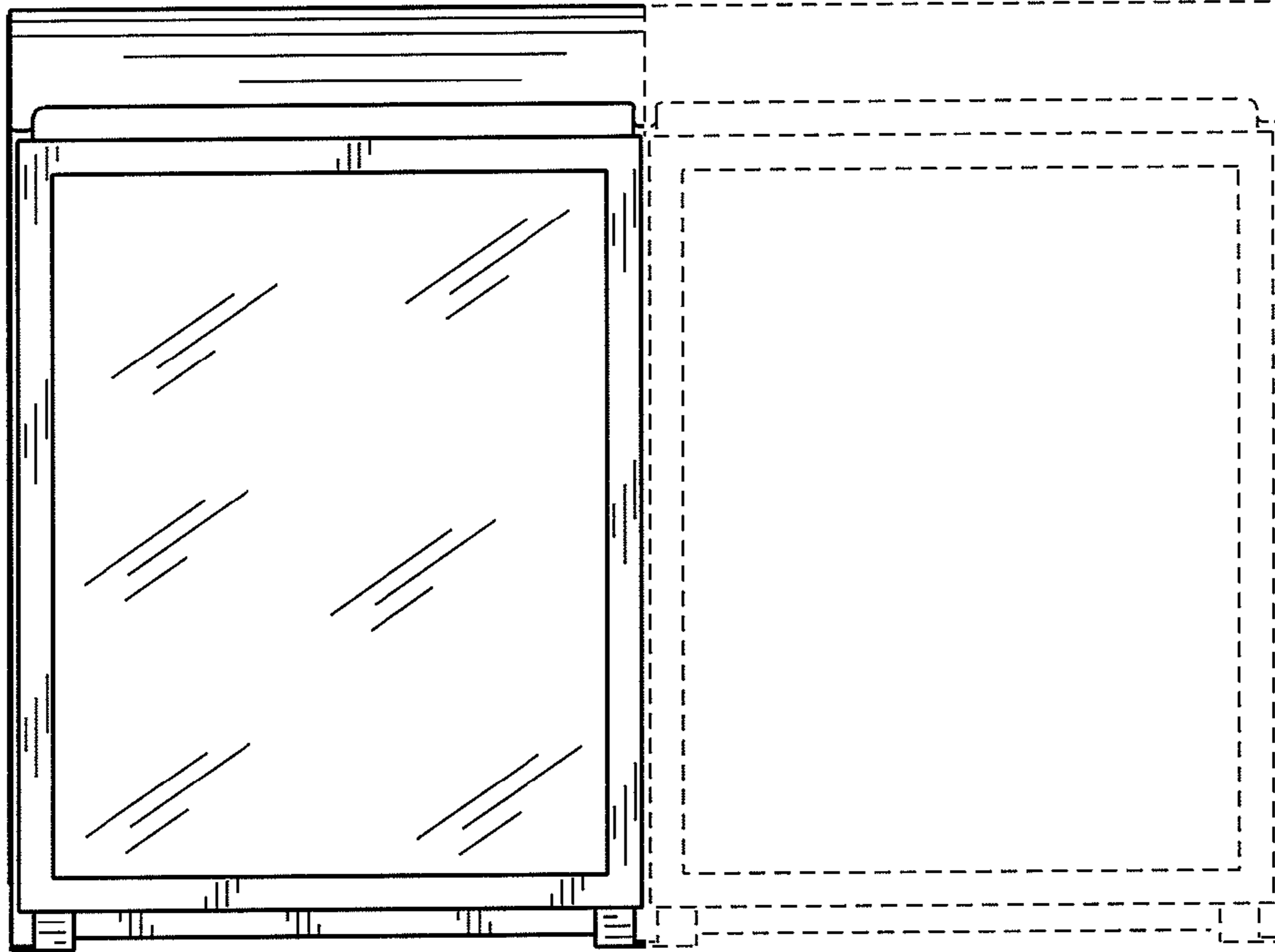


FIG. 3

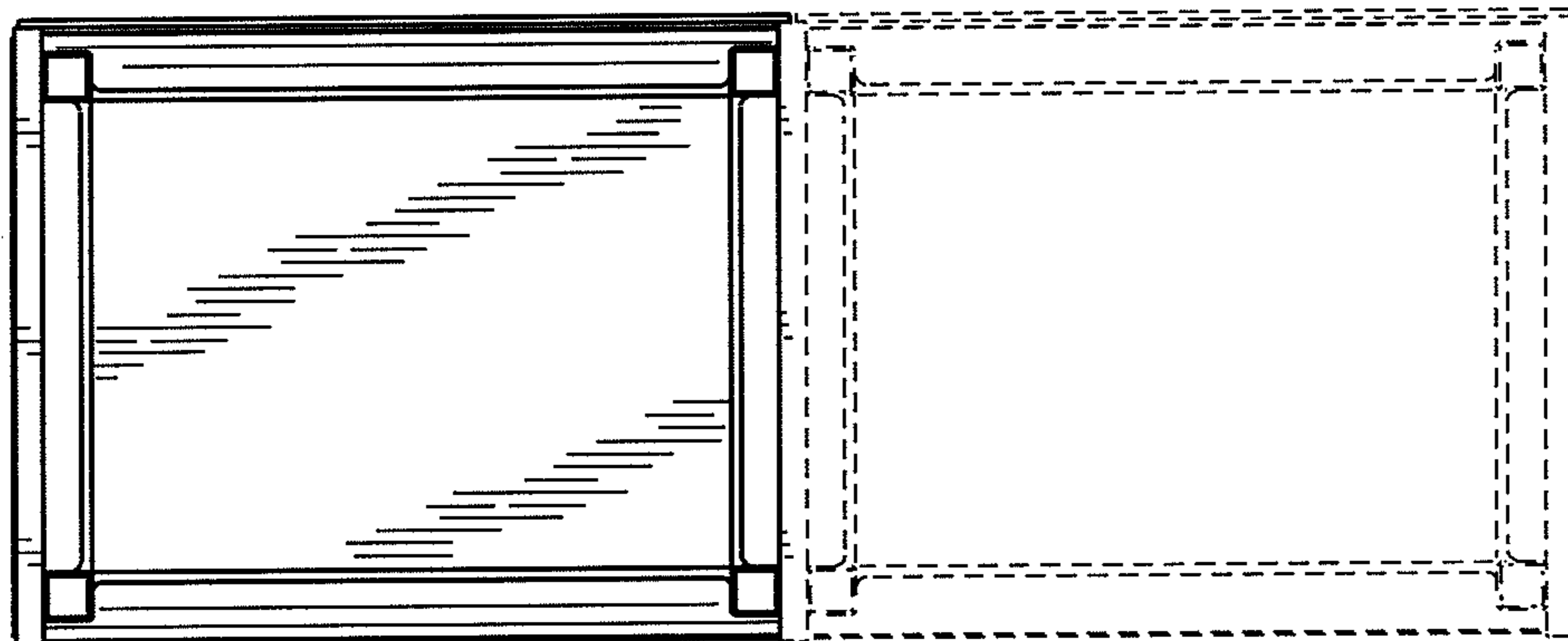


FIG. 4

FIG. 5

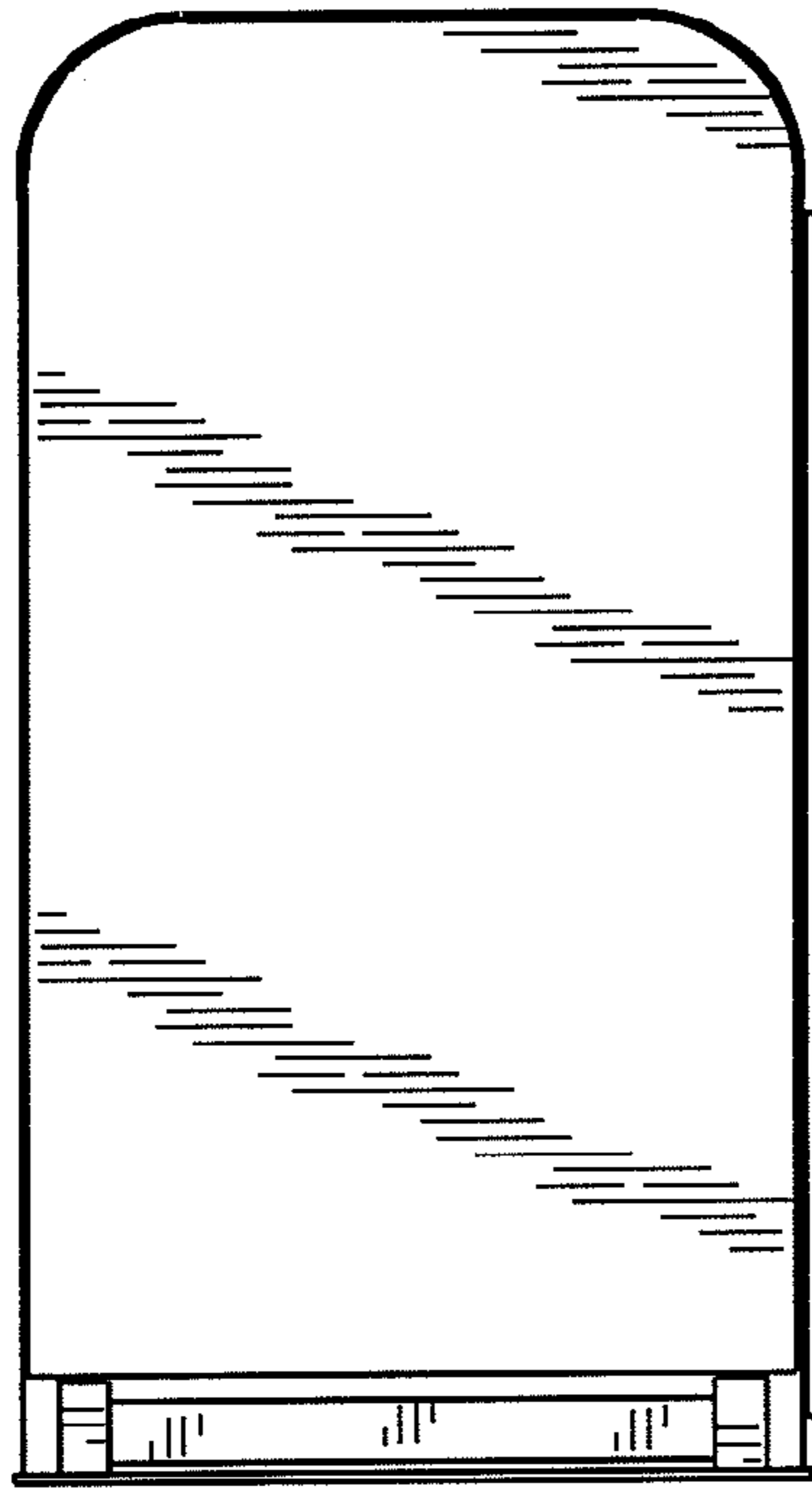


FIG. 6

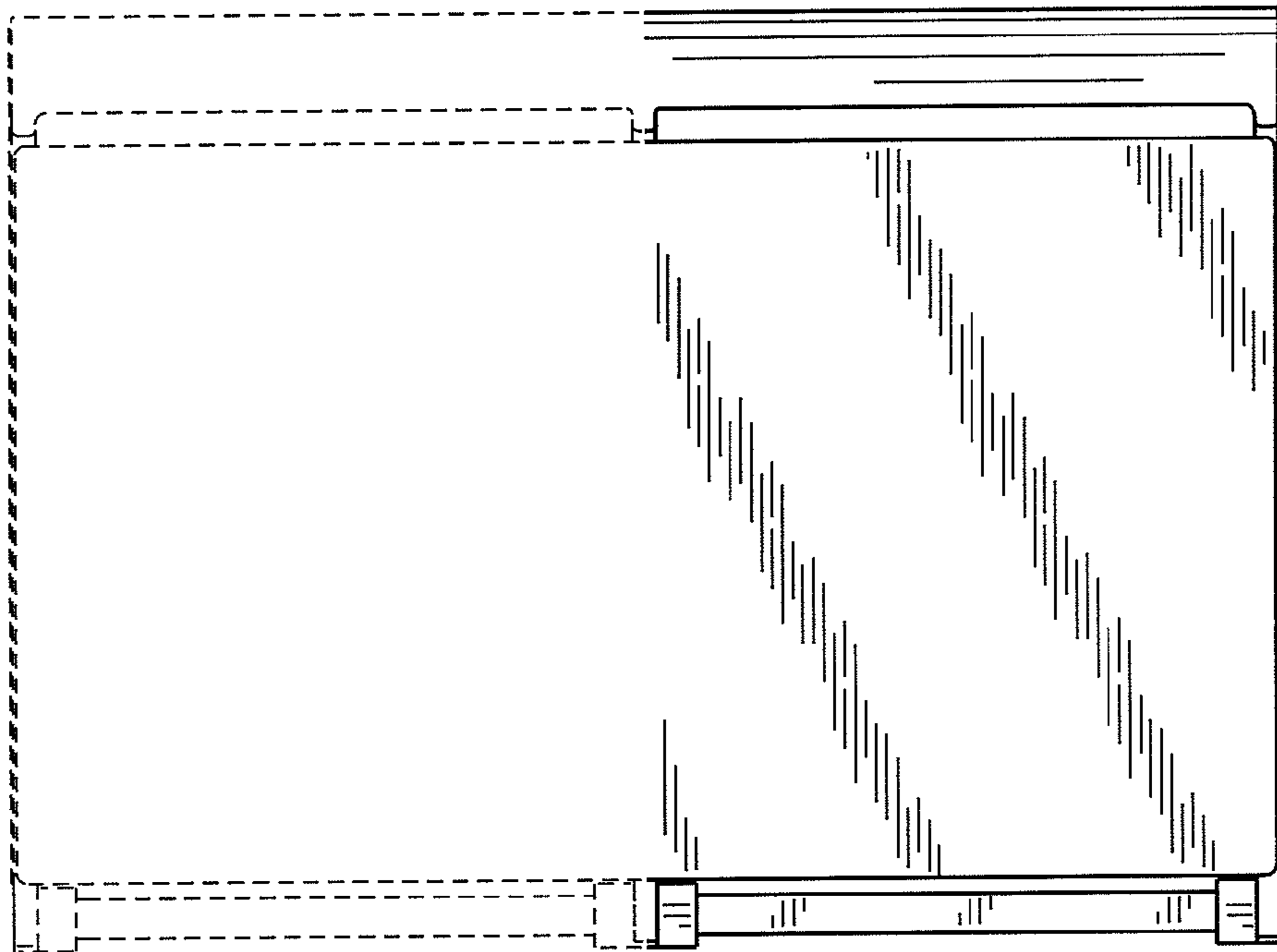
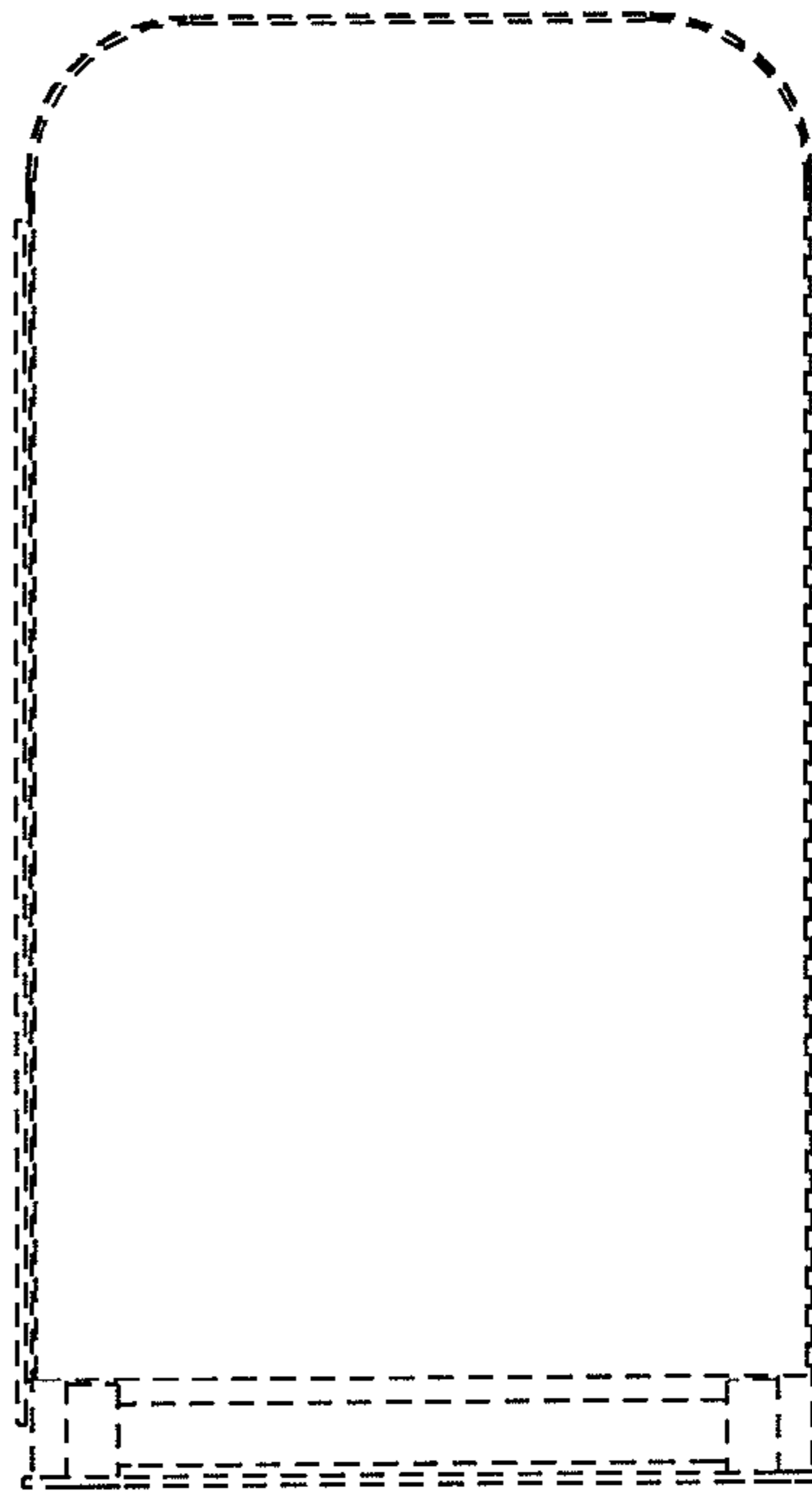


FIG. 7