

US00D579614S

(12) **United States Design Patent**  
**Tanaka et al.**

(10) **Patent No.:** **US D579,614 S**  
(45) **Date of Patent:** **\*\* Oct. 28, 2008**

(54) **COMBINATION HANDLE AND INSERT  
PLATE FOR A HANDY MOP**

(75) Inventors: **Yoshinori Tanaka**, Kawaga (JP);  
**Masaho Hayashi**, Tokyo (JP);  
**Toshihiko Uenishi**, Tokyo (JP)

(73) Assignee: **Uni-Charm Corporation**,  
Kawanoe-Shi, Ehime (JP)

(\*\*) Term: **14 Years**

(21) Appl. No.: **29/243,384**

(22) Filed: **Nov. 22, 2005**

**Related U.S. Application Data**

(63) Continuation of application No. 10/399,675, filed on  
Apr. 15, 2003.

(30) **Foreign Application Priority Data**

Dec. 27, 2000 (JP) ..... 2000-328865  
Oct. 16, 2001 (JP) ..... 2001-317660

(51) **LOC (8) Cl.** ..... **04-01**

(52) **U.S. Cl.** ..... **D32/52; D32/48**

(58) **Field of Classification Search** ..... D32/48-52,  
D32/40, 46; 401/201, 266; 15/236.01, 236.02,  
15/236.07, 144.1, 210.1, 244.1, 220.4, 147,  
15/228, 229.1-229.4, 229.7-229.8, 145,  
15/147.1-147.2; D8/107

See application file for complete search history.

(56) **References Cited**

**U.S. PATENT DOCUMENTS**

748,367 A \* 12/1903 Haight ..... 15/210.1  
1,437,145 A 11/1922 Johnson  
1,437,245 A 11/1922 Hinchcliff  
2,262,888 A \* 11/1941 Dodge ..... 15/147.2  
2,877,482 A 3/1959 Roy  
D207,258 S \* 3/1967 Rippl ..... D15/32  
3,385,416 A \* 5/1968 Frechette ..... 400/227  
3,495,918 A \* 2/1970 Leland ..... 401/201

4,010,511 A 3/1977 Komatsu  
4,248,660 A \* 2/1981 Johnson ..... 156/579  
4,827,556 A 5/1989 Corsetti  
5,010,615 A 4/1991 Carter  
5,426,810 A \* 6/1995 Ronas ..... 15/229.13  
6,047,435 A 4/2000 Suzuki et al.  
6,079,075 A 6/2000 Velez-Juan  
D441,007 S \* 4/2001 Simons et al. .... D17/22  
D479,375 S \* 9/2003 Gringer et al. .... D32/48  
6,813,801 B2 \* 11/2004 Tanaka et al. .... 15/229.3  
6,978,509 B2 12/2005 Lin et al.  
2004/0034956 A1 2/2004 Tanaka et al.  
2005/0005381 A1 1/2005 Tanaka et al.  
2005/0144749 A1 7/2005 Yamada

**FOREIGN PATENT DOCUMENTS**

CN 2192139 Y 3/1995  
FR 1148943 12/1957  
FR 1487987 7/1967  
HU P9403843 8/1995  
HU P9700252 10/1997

(Continued)

**OTHER PUBLICATIONS**

Supplementary European Search Report dated Aug. 3, 2006 issued  
for corresponding European Patent Application No. EP0273346.

*Primary Examiner*—Pamela J. Burgess

(74) *Attorney, Agent, or Firm*—Darby & Darby P.C.

(57) **CLAIM**

The ornamental design for a combination handle and insert  
plate for a handy mop, as shown and described.

**DESCRIPTION**

FIG. 1 is a perspective view of a combination handle and  
insert plate for a handy mop;

FIG. 2 is a front view thereof;

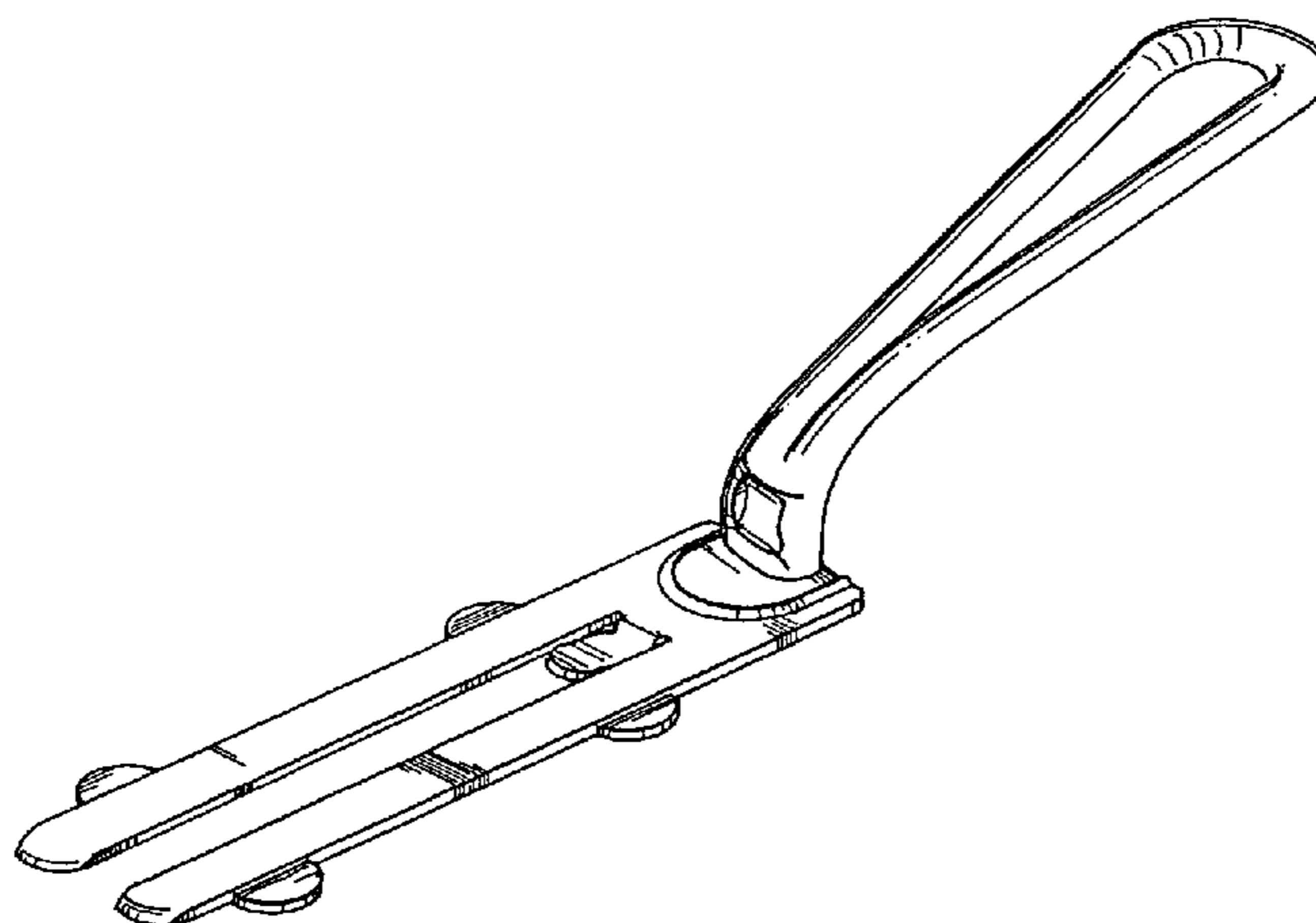
FIG. 3 is a back view thereof;

FIG. 4 is a side view thereof;

FIG. 5 is a top view thereof; and,

FIG. 6 is a bottom view thereof.

**1 Claim, 2 Drawing Sheets**



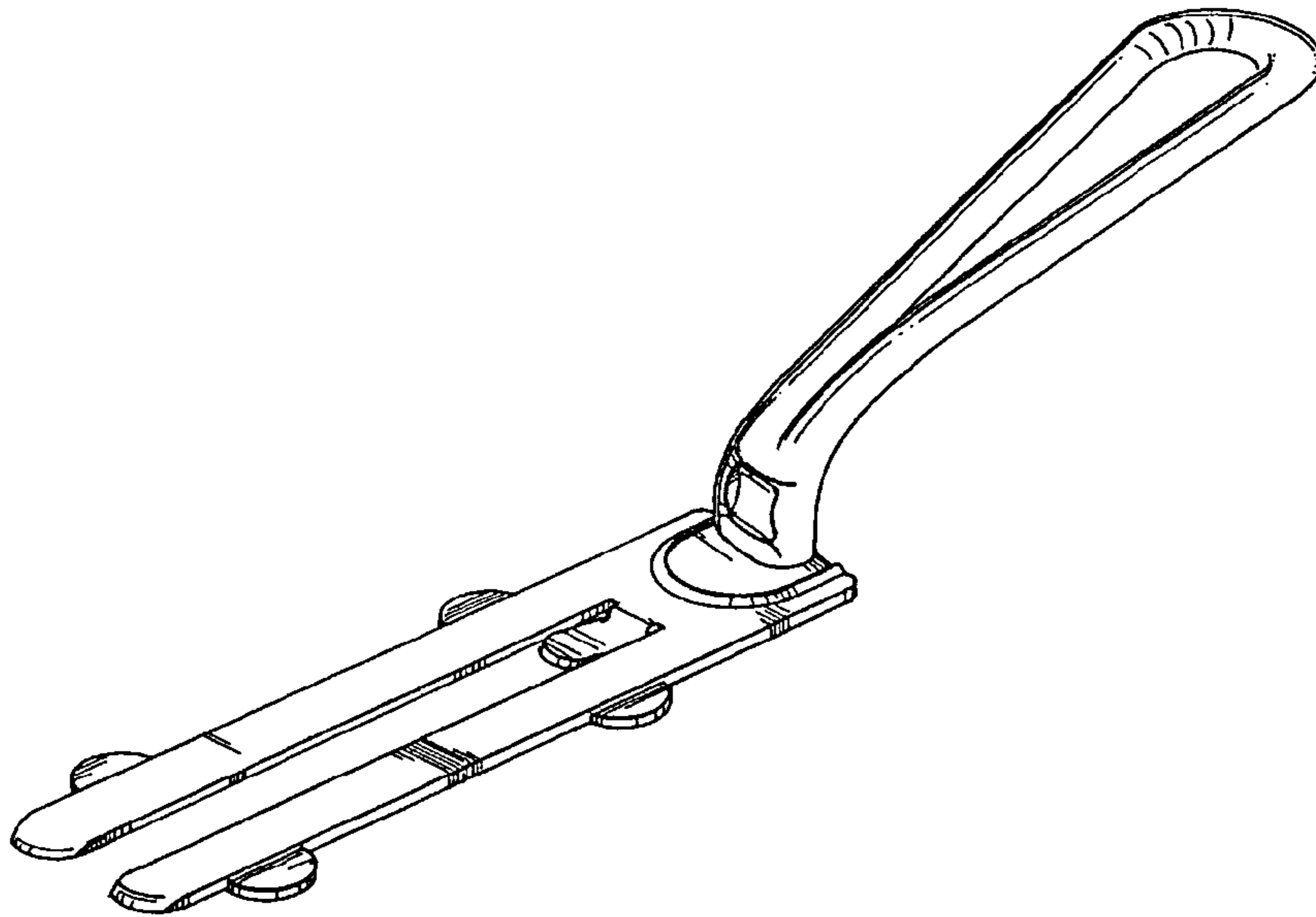
# US D579,614 S

Page 2

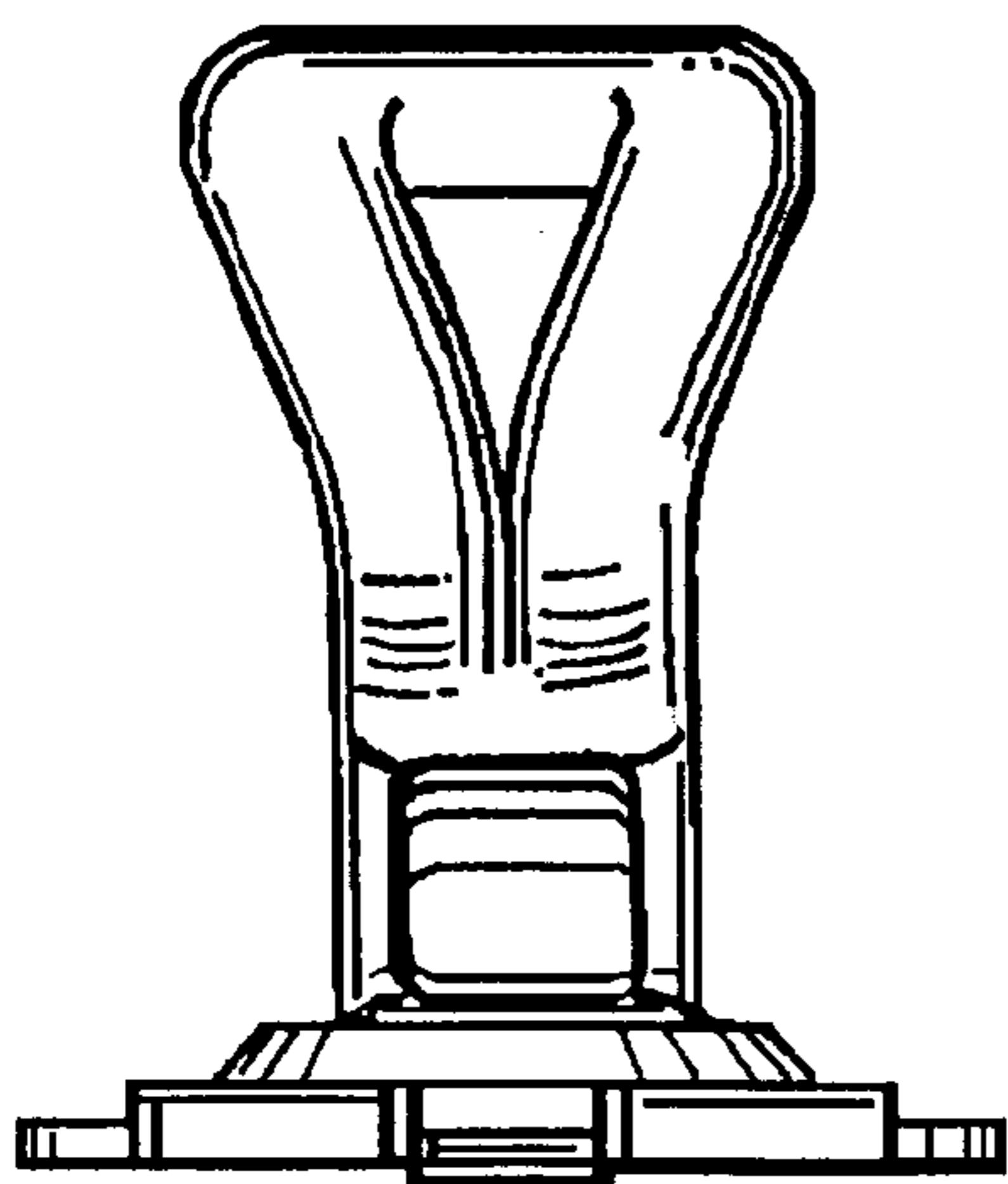
---

FOREIGN PATENT DOCUMENTS					
			JP	1-79456	5/1989
			JP	2-4541	1/1990
			JP	2-4541 U	1/1990
			JP	3043196	2/1991
			JP	5-95457	12/1993
			JP	6-337	1/1994
			JP	63-26131 Y2	11/1994
			JP	7-24257 U	5/1995
			JP	7-24257 U	5/1995
			JP	08-336493	12/1996
			JP	10-43116	2/1998
			JP	10-117985 A	5/1998
			JP	10-225409	8/1998
			JP	10-328107 A1	12/1998
			JP	10-328107 A1	12/1998
			JP	11-000298	1/1999
			JP	11-089766	4/1999
			JP	11-276402 A	10/1999
			JP	2000-201875	7/2000
			JP	2002-165742	6/2002
			WO	02/34101	5/2002
				* cited by examiner	
JP	39-608	1/1964			
JP	39-6833	3/1964			
JP	39-20632	7/1964			
JP	40-18878	7/1965			
JP	41-14463	7/1966			
JP	41-14464	7/1966			
JP	49-69262	9/1972			
JP	58-194770	12/1983			
JP	58-194770 A1	12/1983			
JP	60-63157 U	5/1985			
JP	60-63158 A1	5/1985			
JP	61-177575	8/1986			
JP	61-177576	8/1986			
JP	62-47351 A1	3/1987			
JP	62-184851	8/1987			
JP	63-121065	5/1988			
JP	1-66267 U	4/1989			
JP	1-66267 U	4/1989			
JP	1-79454	5/1989			
JP	1-79455	5/1989			

**FIG. 1**



**FIG. 2**



**FIG. 3**

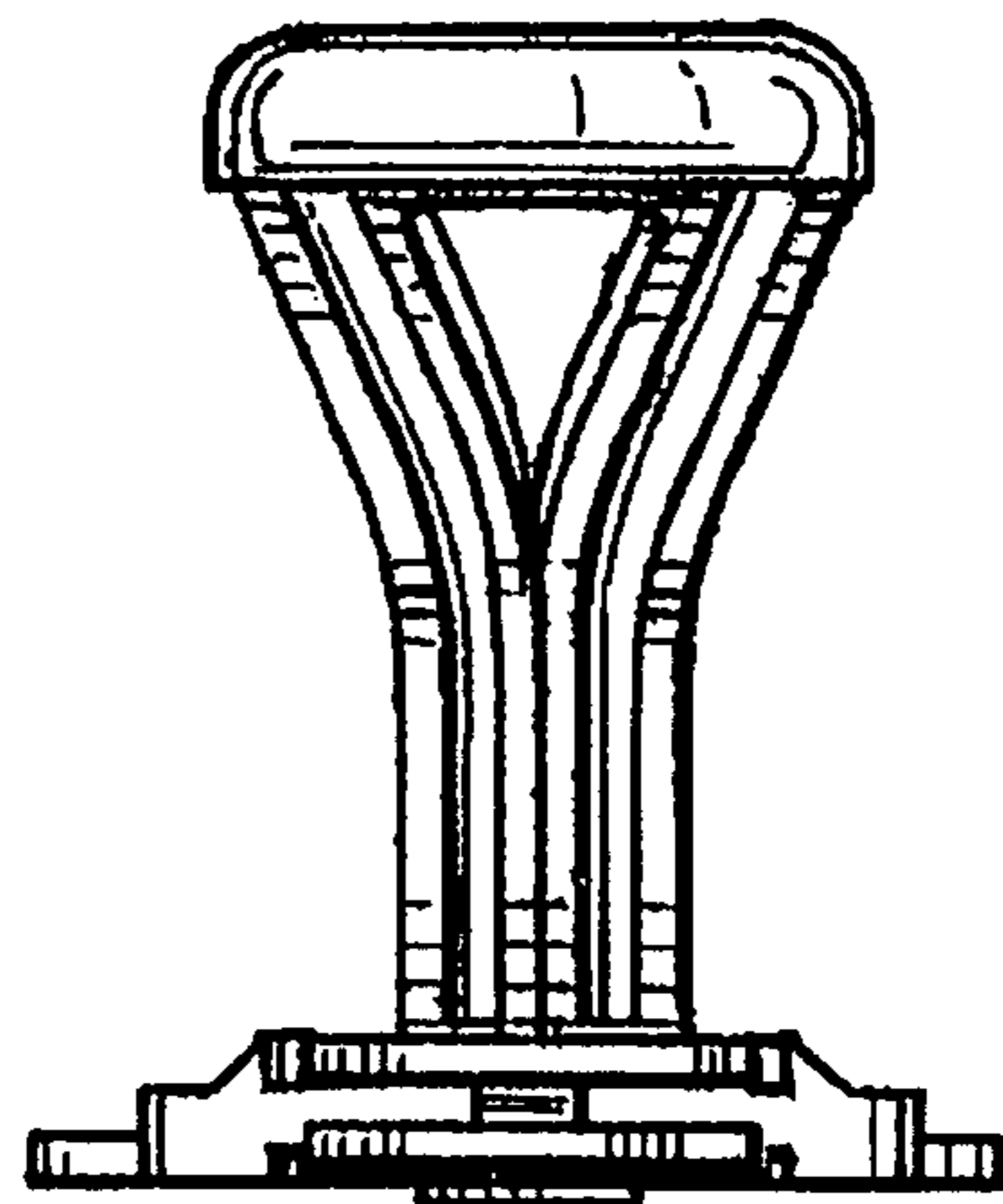


FIG. 4

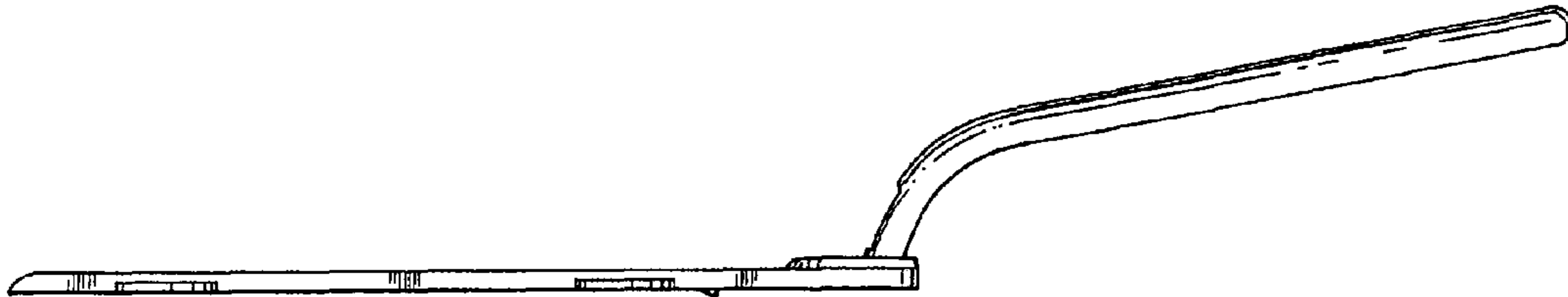


FIG. 5

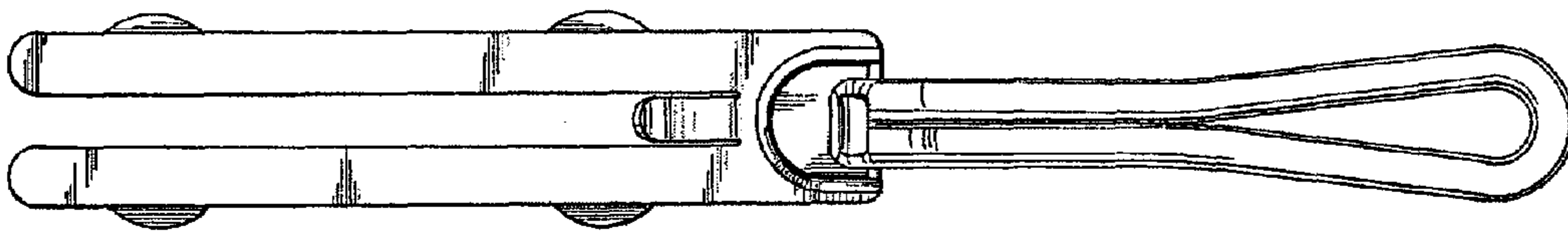


FIG. 6

