



US00D579612S

(12) **United States Design Patent**
Rutkowski et al.

(10) **Patent No.:** **US D579,612 S**

(45) **Date of Patent:** **** Oct. 28, 2008**

(54) **FRAME FOR A DRAIN CLEANING MACHINE**

2008/0098544 A1* 5/2008 Rutkowski et al. 15/104.33

(75) Inventors: **Michael J. Rutkowski**, Brunswick, OH (US); **Jon R. Dunkin**, Elyria, OH (US); **Larry F. Babb**, Grafton, OH (US)

OTHER PUBLICATIONS

Ridgid web page (index of drum machines): <http://www.ridgid.com/Tools/Drum-Machines/index.htm>.

* cited by examiner

(73) Assignee: **Emerson Electric Co.**, St. Louis, MO (US)

Primary Examiner—Louis S Zarfaz
Assistant Examiner—Kathleen M Sims

(**) Term: **14 Years**

(57) **CLAIM**

(21) Appl. No.: **29/279,306**

The ornamental design for a frame for a drain cleaning machine, as shown and described.

(22) Filed: **Apr. 26, 2007**

(51) **LOC (8) Cl.** **15-05**

(52) **U.S. Cl.** **D32/25**

(58) **Field of Classification Search** D32/1, D32/4, 15-16, 25, 17-18, 21; 15/320-322, 15/340.1-340.2, 104.33; D23/213, 225; D34/12-27; 417/360, 364; 239/147, 149
See application file for complete search history.

DESCRIPTION

FIG. 1 is a front perspective view of a frame for a drain cleaning machine with its environment showing our new design;

FIG. 2 is a second front perspective view thereof without environmental matter;

FIG. 3 is a rear perspective view thereof;

FIG. 4 is a front view thereof;

FIG. 5 is a back view thereof;

FIG. 6 is a left side view thereof;

FIG. 7 is a right side view thereof; and,

FIG. 8 is a top plan view thereof.

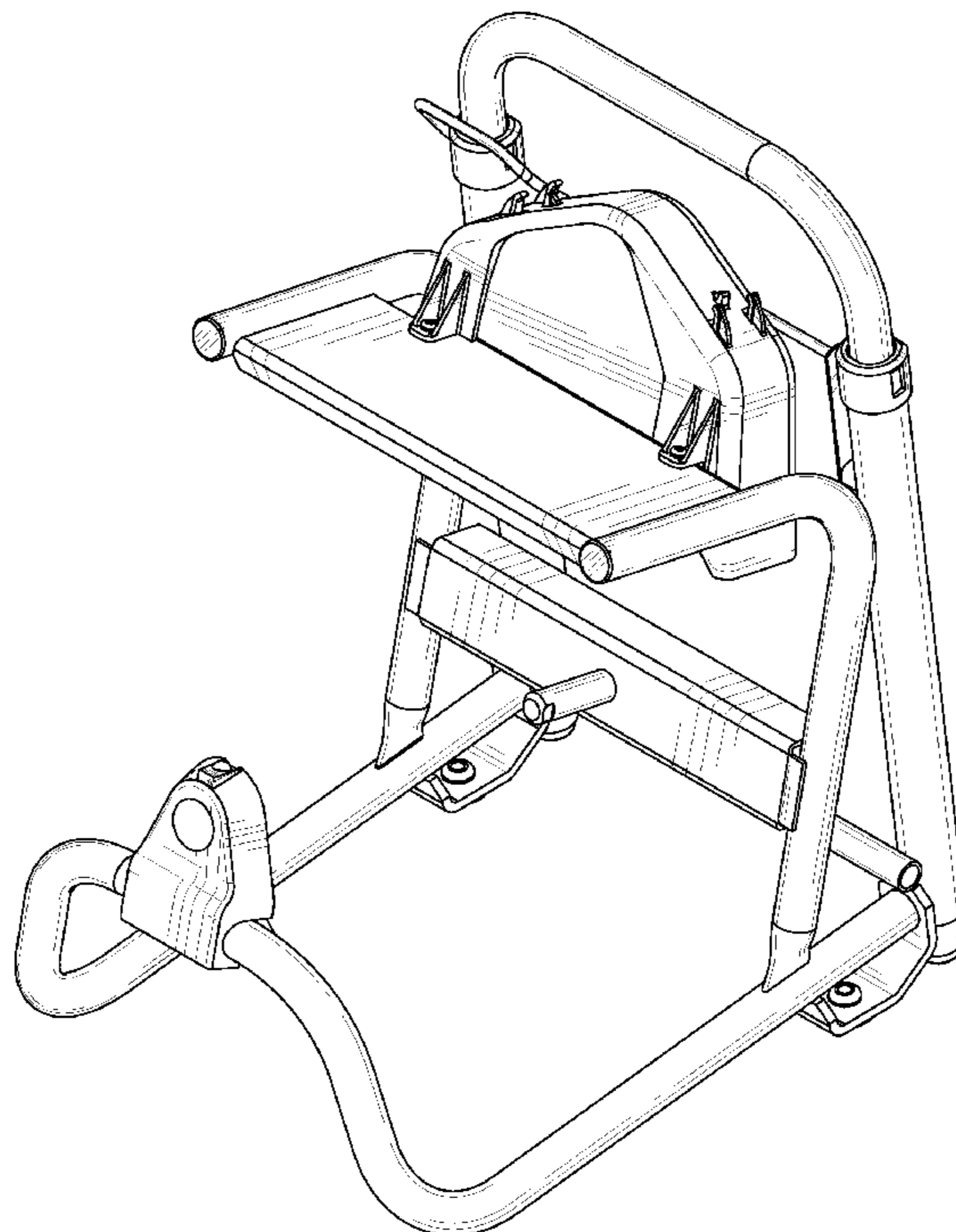
The broken line showing of a drain cleaning machine in FIG. 1 is included for the purpose of illustrating environment of the frame for a drain cleaning machine and forms no part of the claimed design.

(56) **References Cited**

U.S. PATENT DOCUMENTS

3,246,354	A *	4/1966	Cooney et al.	15/104.33
D287,178	S	12/1986	Babb et al.	
5,031,276	A	7/1991	Babb et al.	
5,193,242	A *	3/1993	Irwin	15/104.33
5,390,389	A *	2/1995	Rutkowski et al.	15/104.33
5,996,159	A *	12/1999	Irwin	15/104.33
6,381,798	B1	5/2002	Rutkowski et al.	
6,412,136	B1 *	7/2002	Rutkowski	15/104.33
6,546,582	B2 *	4/2003	Silverman	15/104.33
7,222,383	B2 *	5/2007	Hale	15/104.33

1 Claim, 6 Drawing Sheets



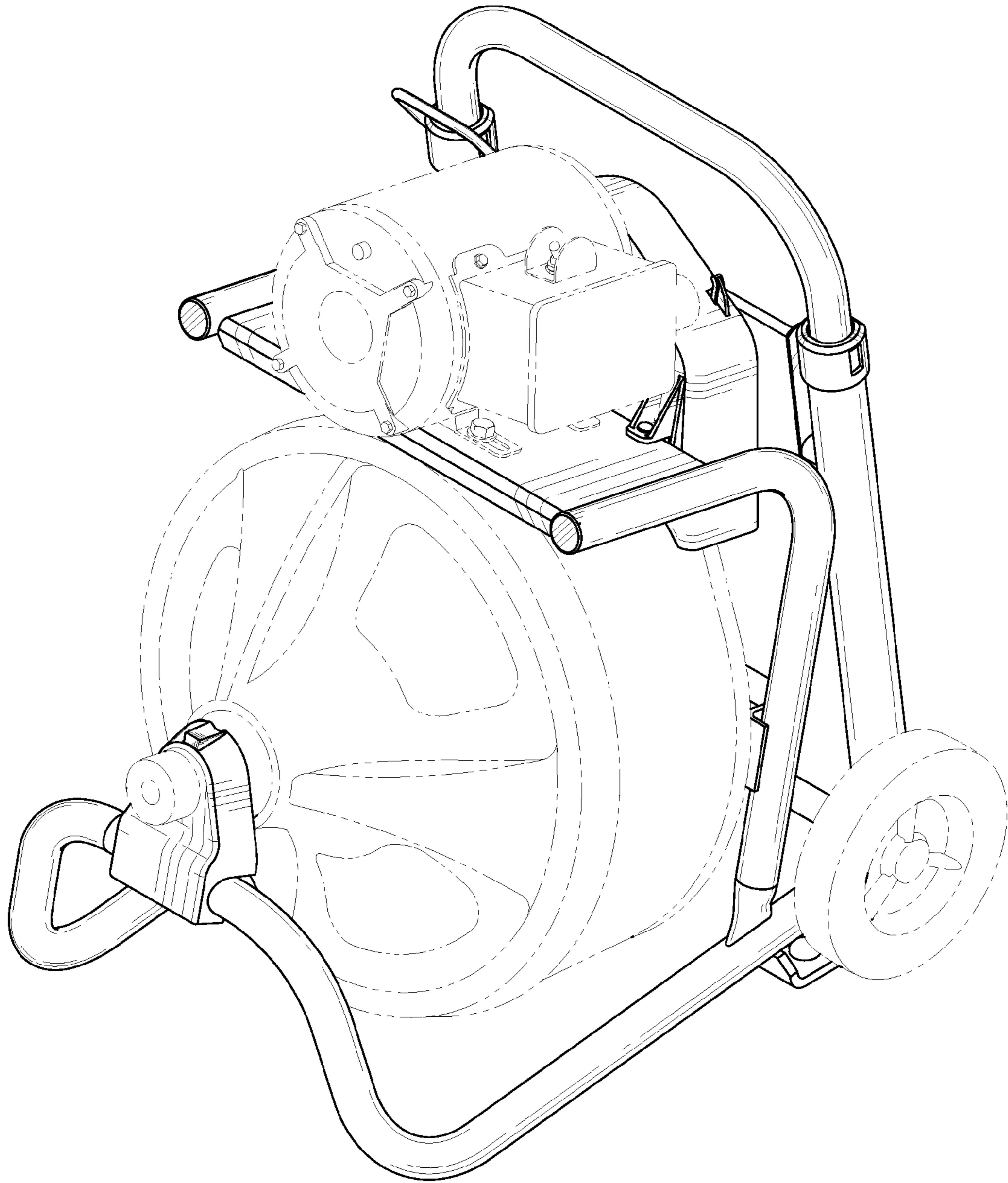


Fig 1

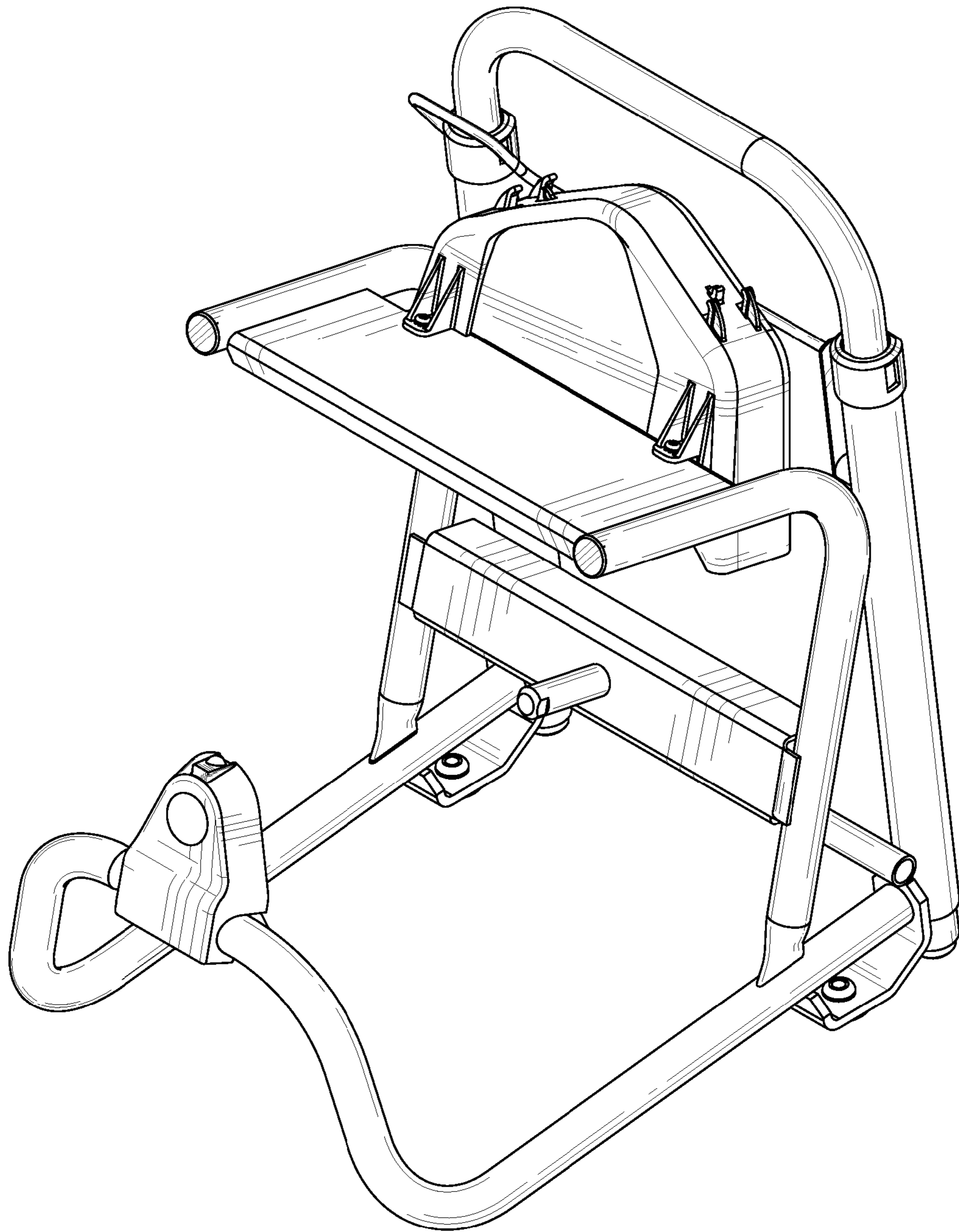


Fig 2

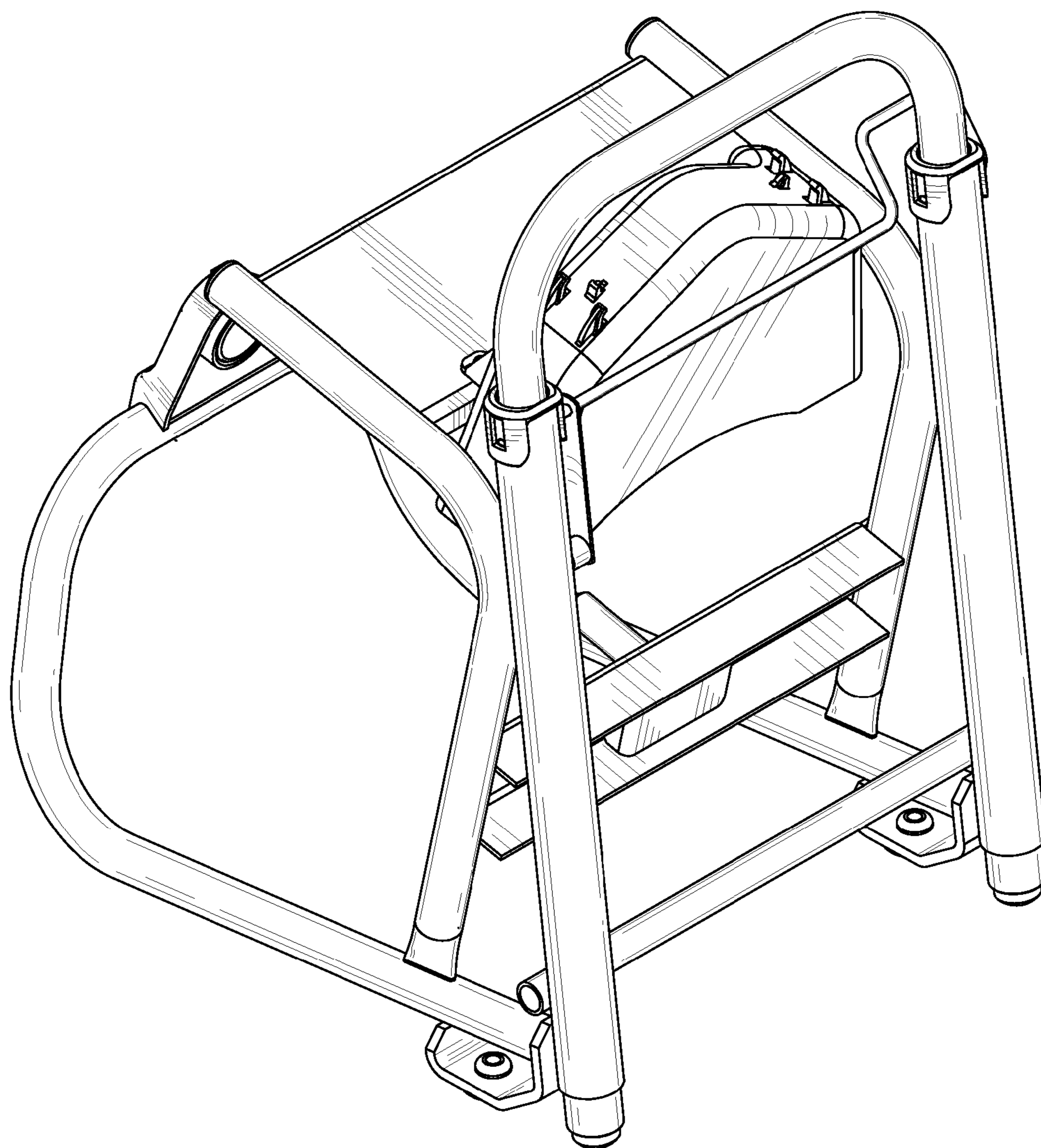


Fig 3

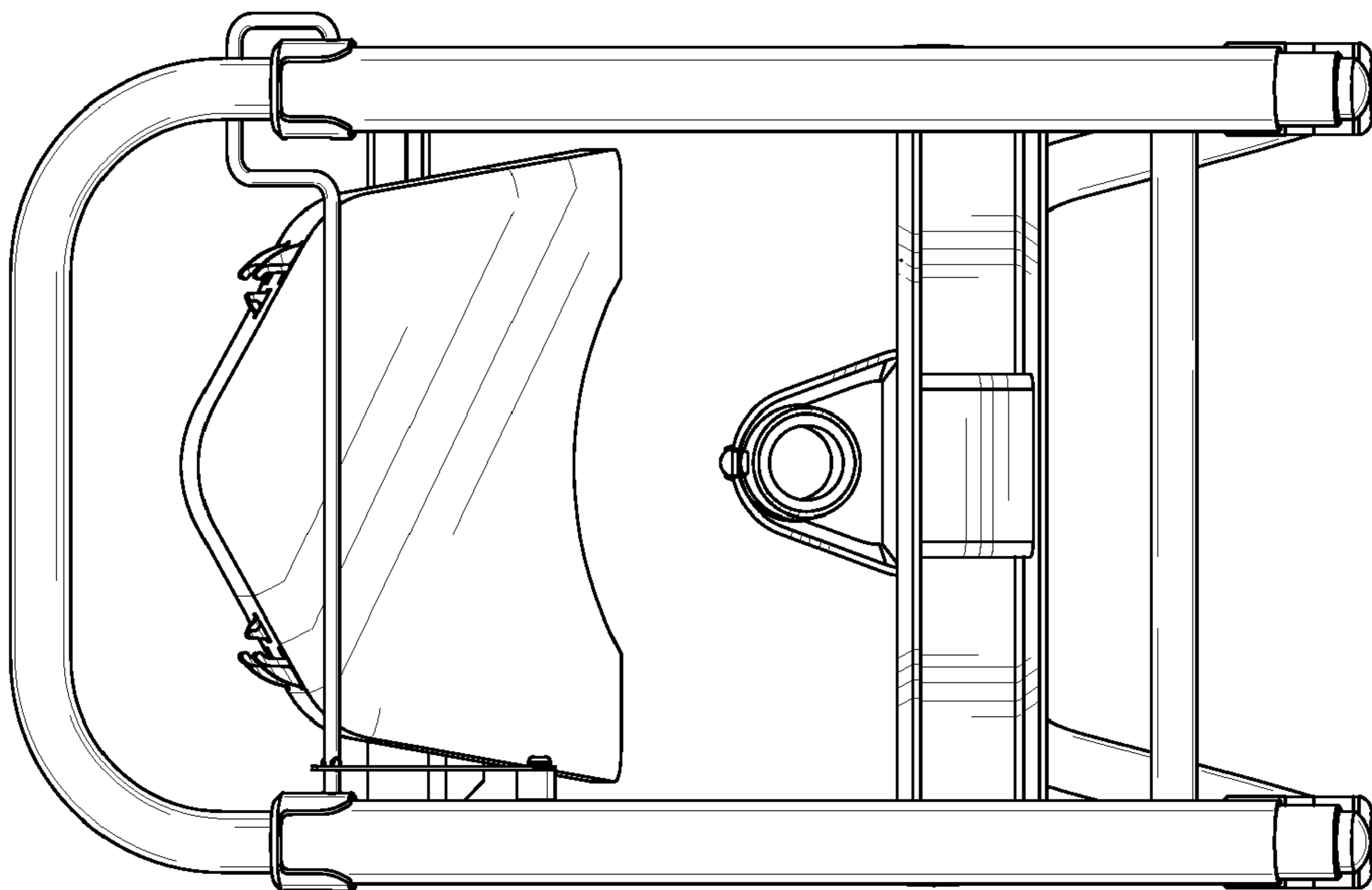


Fig 5

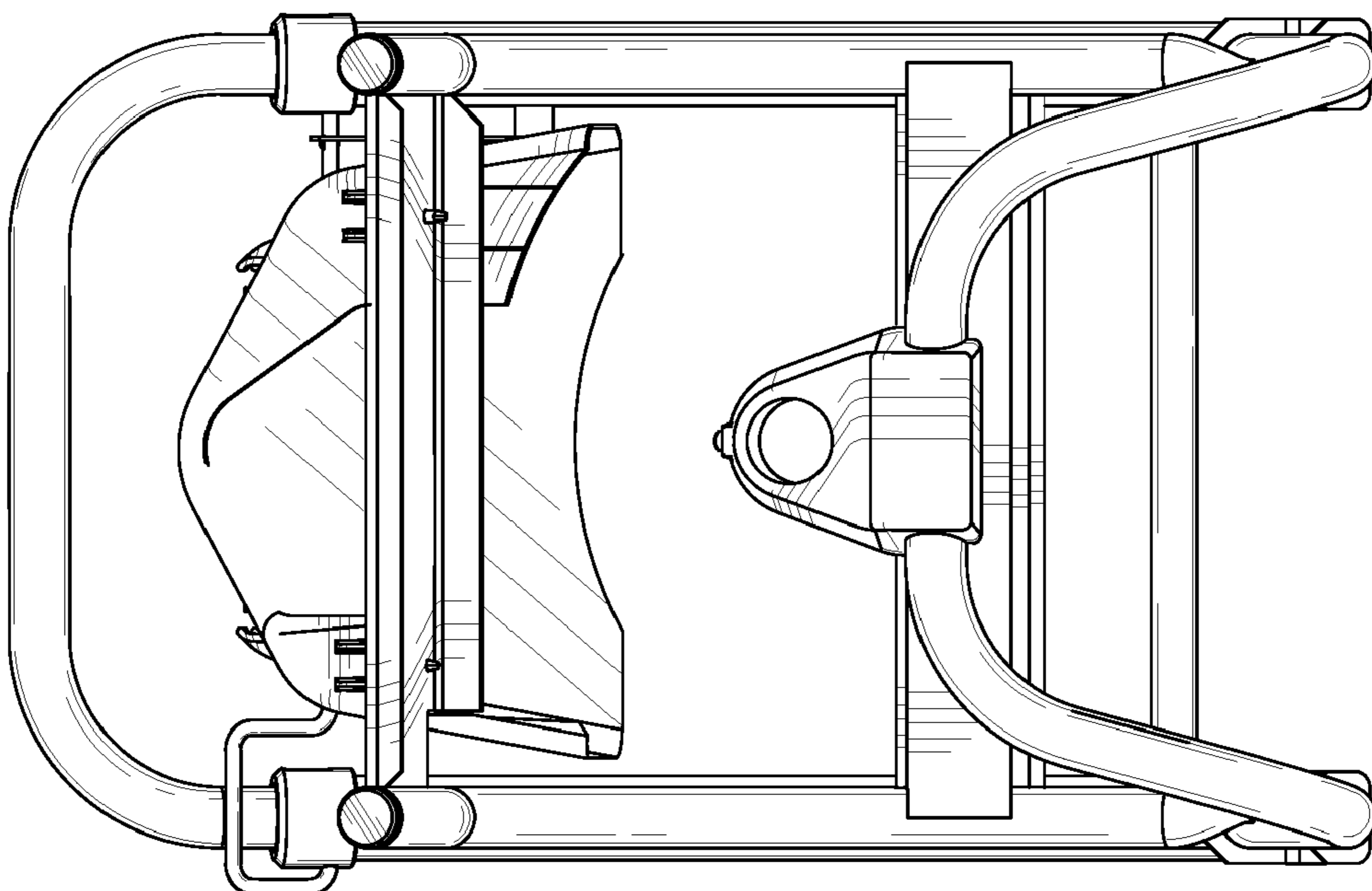


Fig 4

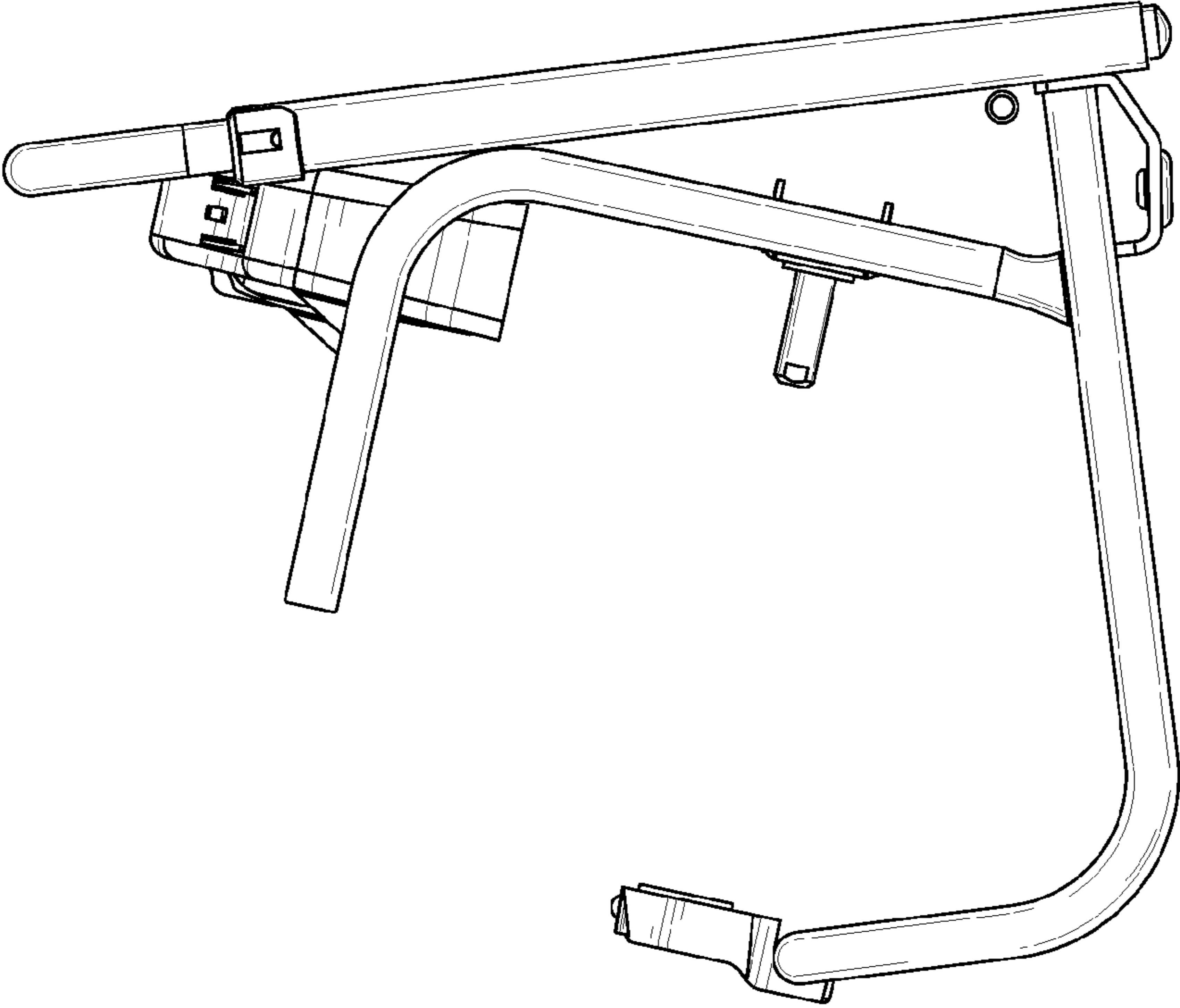


Fig 7

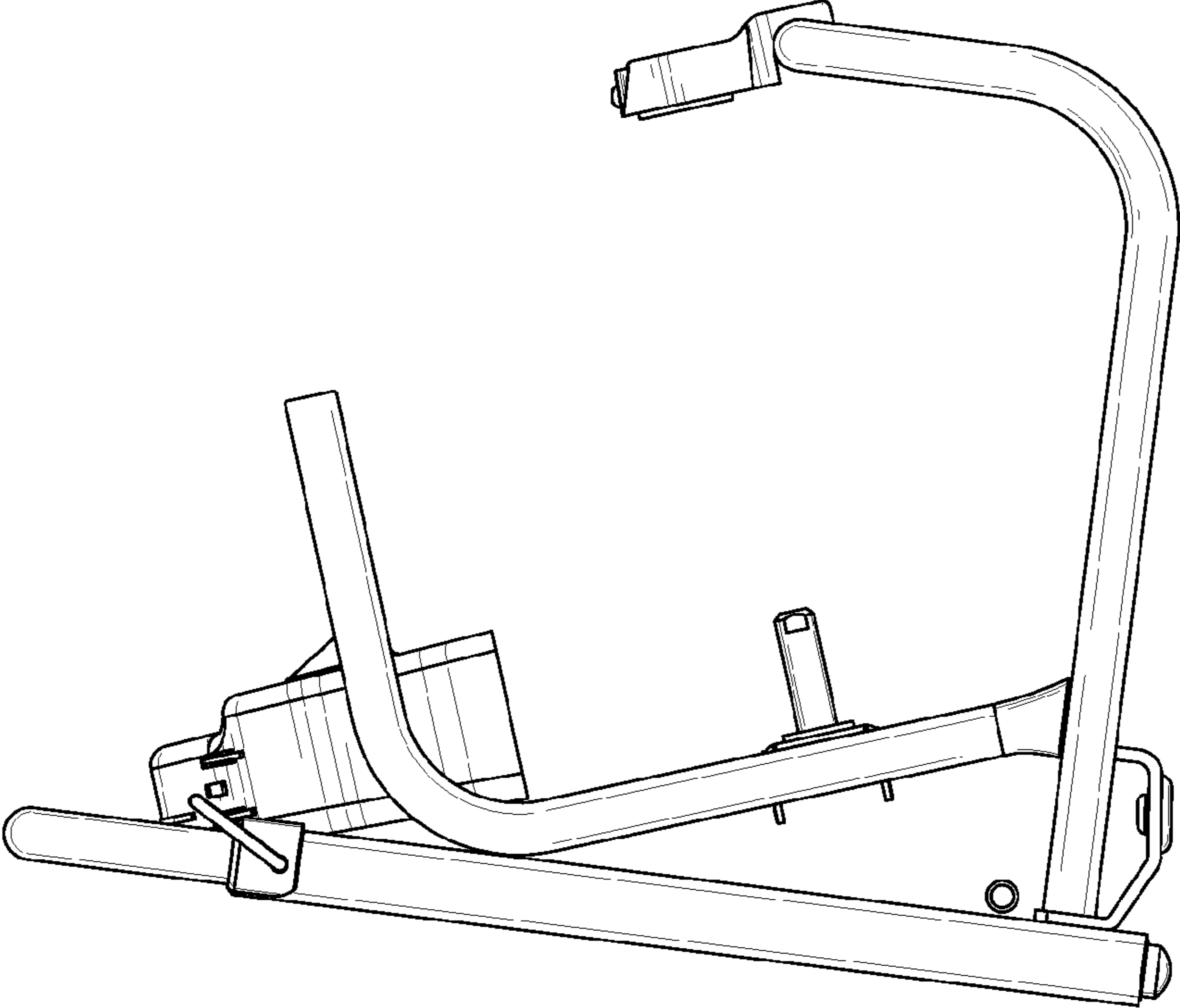


Fig 6

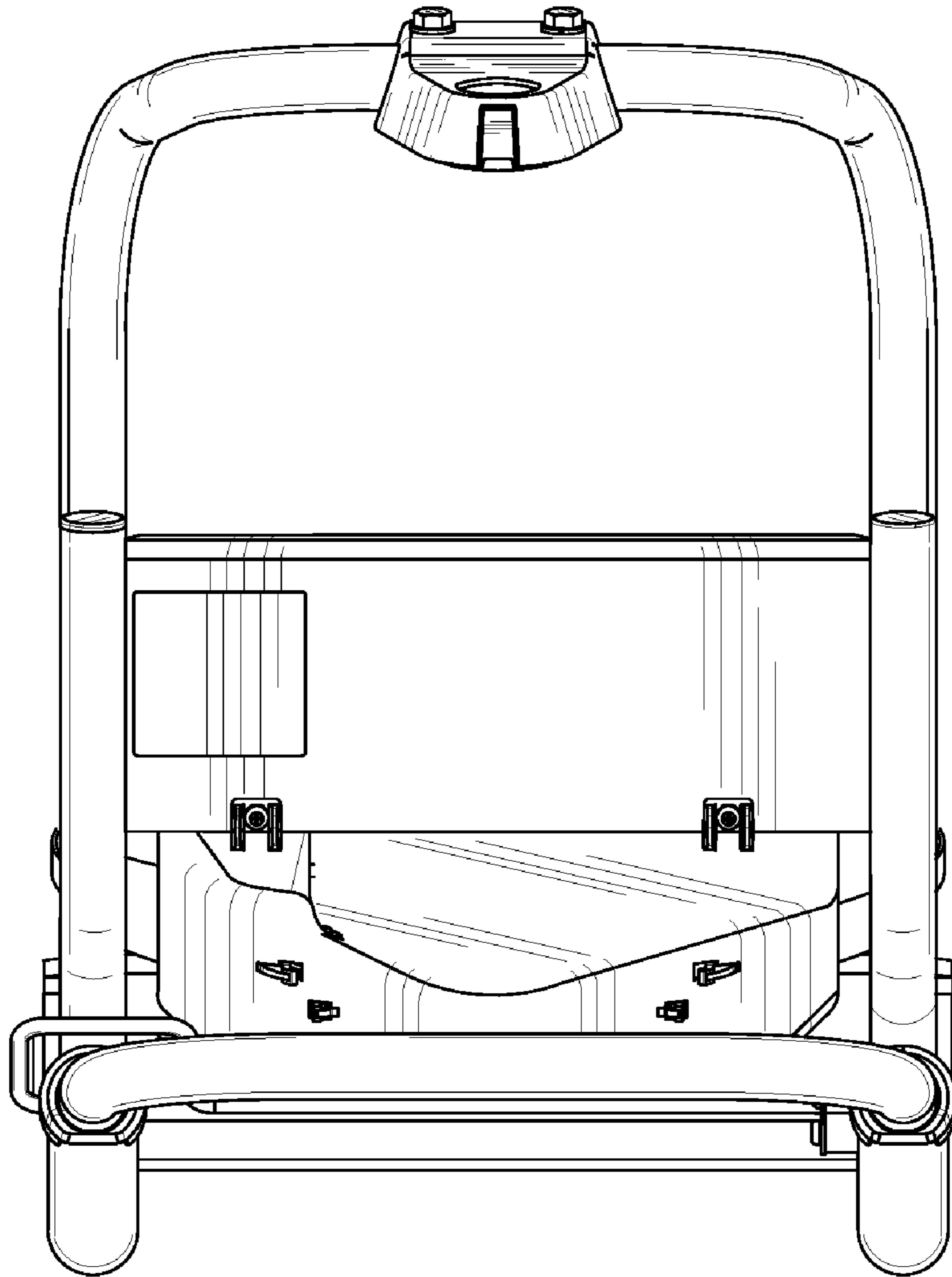


Fig 8