



US00D579611S

(12) **United States Design Patent**  
**Warner**

(10) **Patent No.:** **US D579,611 S**  
(45) **Date of Patent:** **\*\* Oct. 28, 2008**

(54) **CLEANING MACHINE**

(75) Inventor: **Simon Warner**, West Yorkshire (GB)

(73) Assignee: **Freshbins UK Limited**, Hemel Hempstead (GB)

(\*\*) Term: **14 Years**

(21) Appl. No.: **29/274,305**

(22) Filed: **Apr. 13, 2007**

(30) **Foreign Application Priority Data**

Mar. 14, 2007 (EM) ..... 000689948-0001

(51) **LOC (8) Cl.** ..... **15-05**

(52) **U.S. Cl.** ..... **D32/15**

(58) **Field of Classification Search** ..... D32/1,  
D32/15-16, 21; 15/49.1, 320-322, 340.1,  
15/340.4, 56

See application file for complete search history.

(56) **References Cited**

**U.S. PATENT DOCUMENTS**

4,485,513 A \* 12/1984 Eskelinen ..... 15/56  
D374,749 S \* 10/1996 Burke et al. .... D32/21  
5,964,229 A \* 10/1999 Brendel ..... 134/52  
6,336,239 B1 \* 1/2002 Cooper ..... 15/56

\* cited by examiner

*Primary Examiner*—Louis S Zarfaz  
*Assistant Examiner*—Kathleen M Sims  
(74) *Attorney, Agent, or Firm*—Dickstein Shapiro LLP

(57) **CLAIM**

The ornamental design for a cleaning machine, as shown and described.

**DESCRIPTION**

FIG. 1 is a perspective view showing the front, top and left side of a cleaning machine showing my new design;

FIG. 2 is a front view thereof;

FIG. 3 is a top view thereof, where the rear and right side thereof are also shown;

FIG. 4 is a perspective view, showing the rear, top and left side thereof, with the lift assembly thereof in a stowed position;

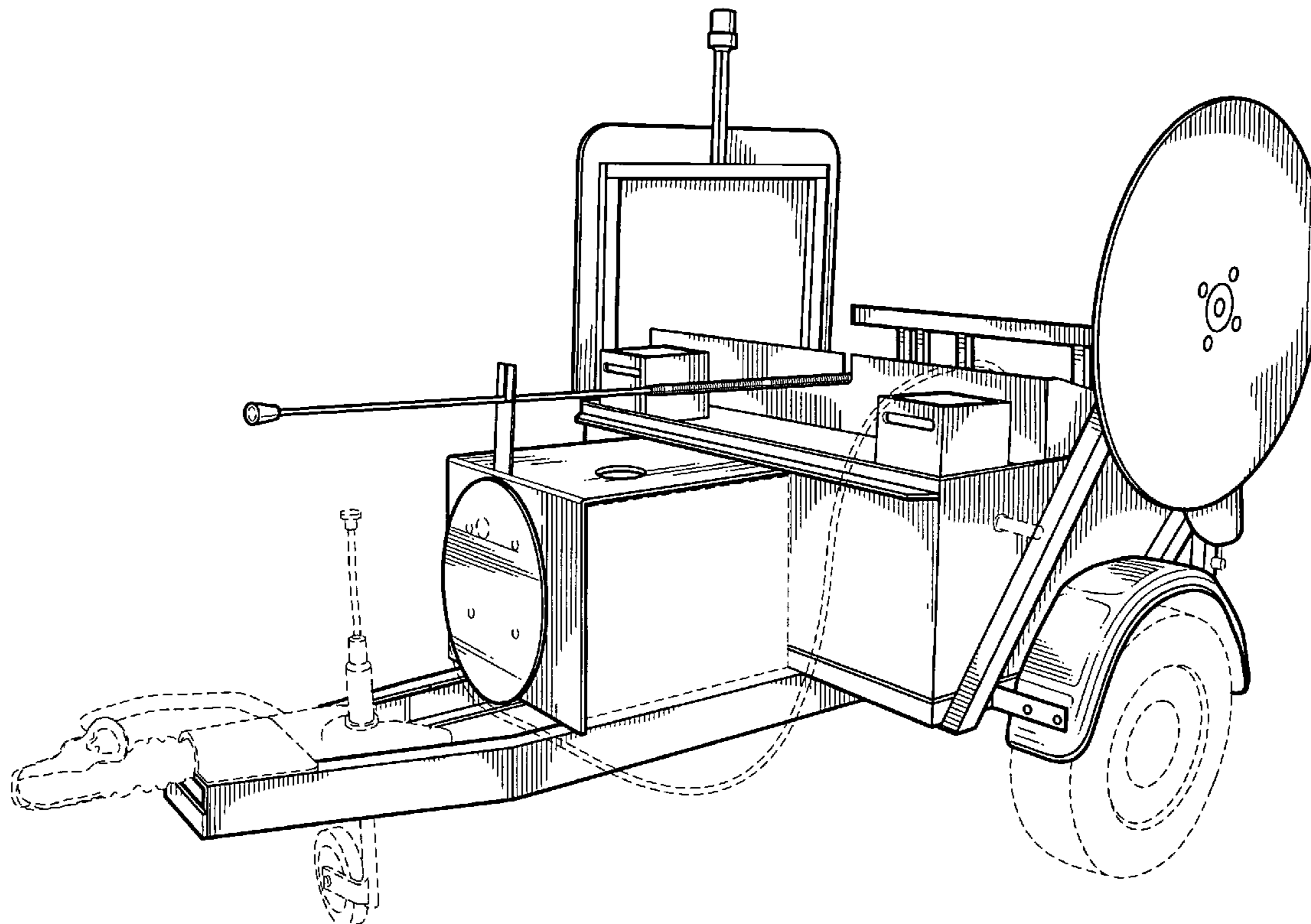
FIG. 5 is a perspective view, showing the rear, top and right side thereof, with the lift assembly in a stowed position;

FIG. 6 is a perspective view, showing the rear, top and left side thereof, with the lift assembly in a raised position; and,

FIG. 7 is a perspective view showing the rear, top and right side thereof, with the lift assembly in a raised position.

The broken line showing of details in FIGS. 1-7 is included for the purpose of illustrating portions of the cleaning machine that form no part of the claimed design.

**1 Claim, 7 Drawing Sheets**



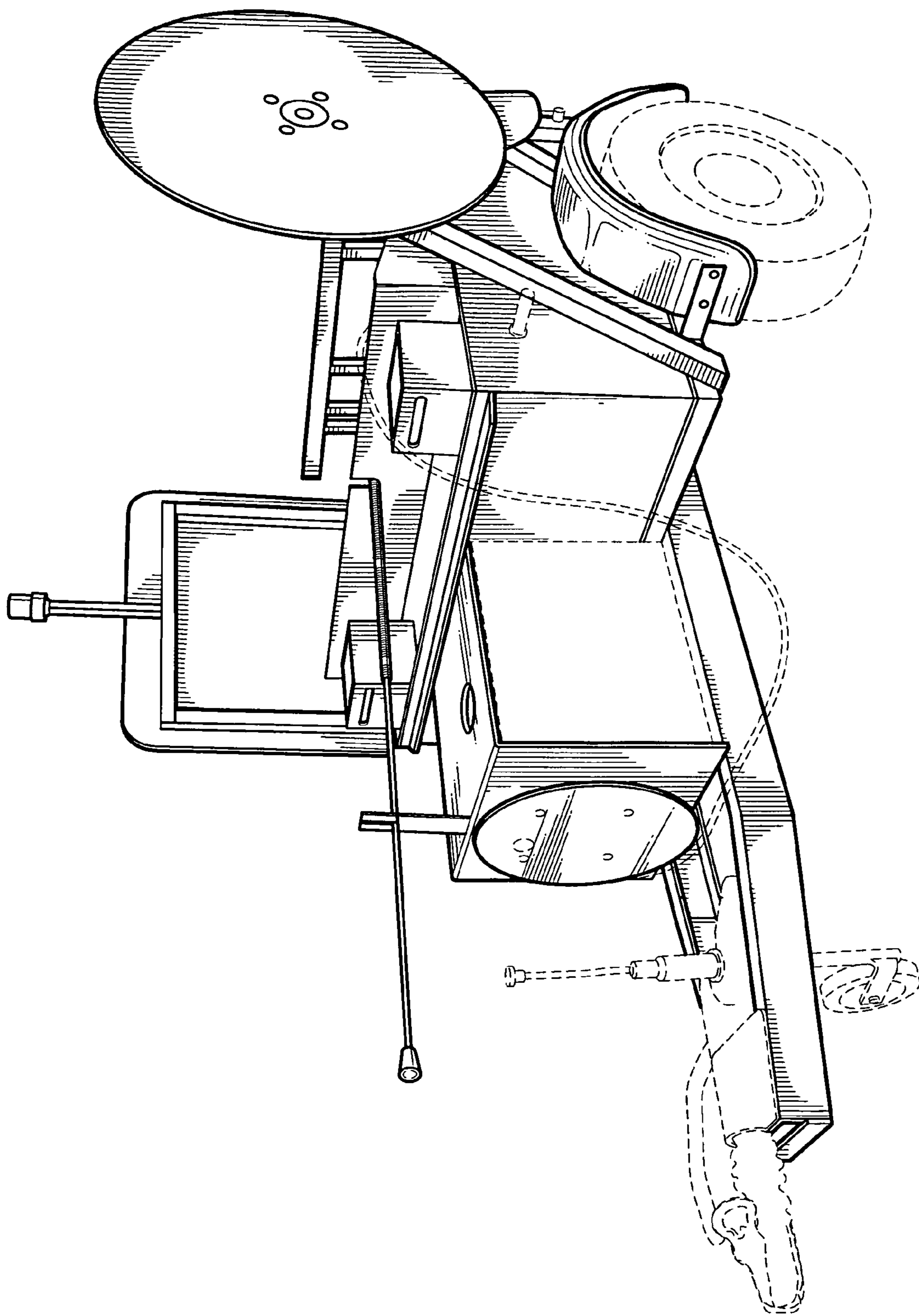


FIG. 1

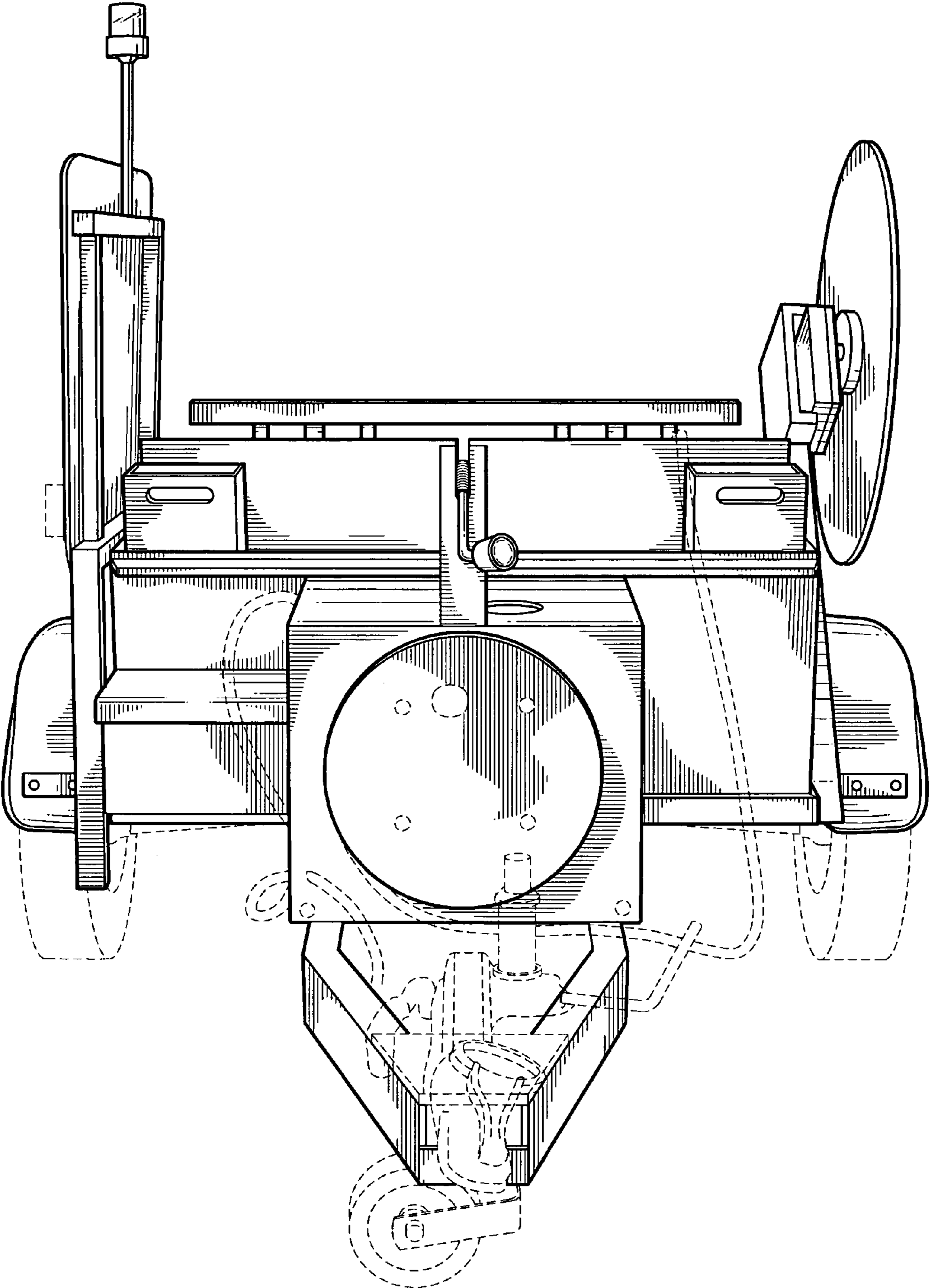


FIG. 2

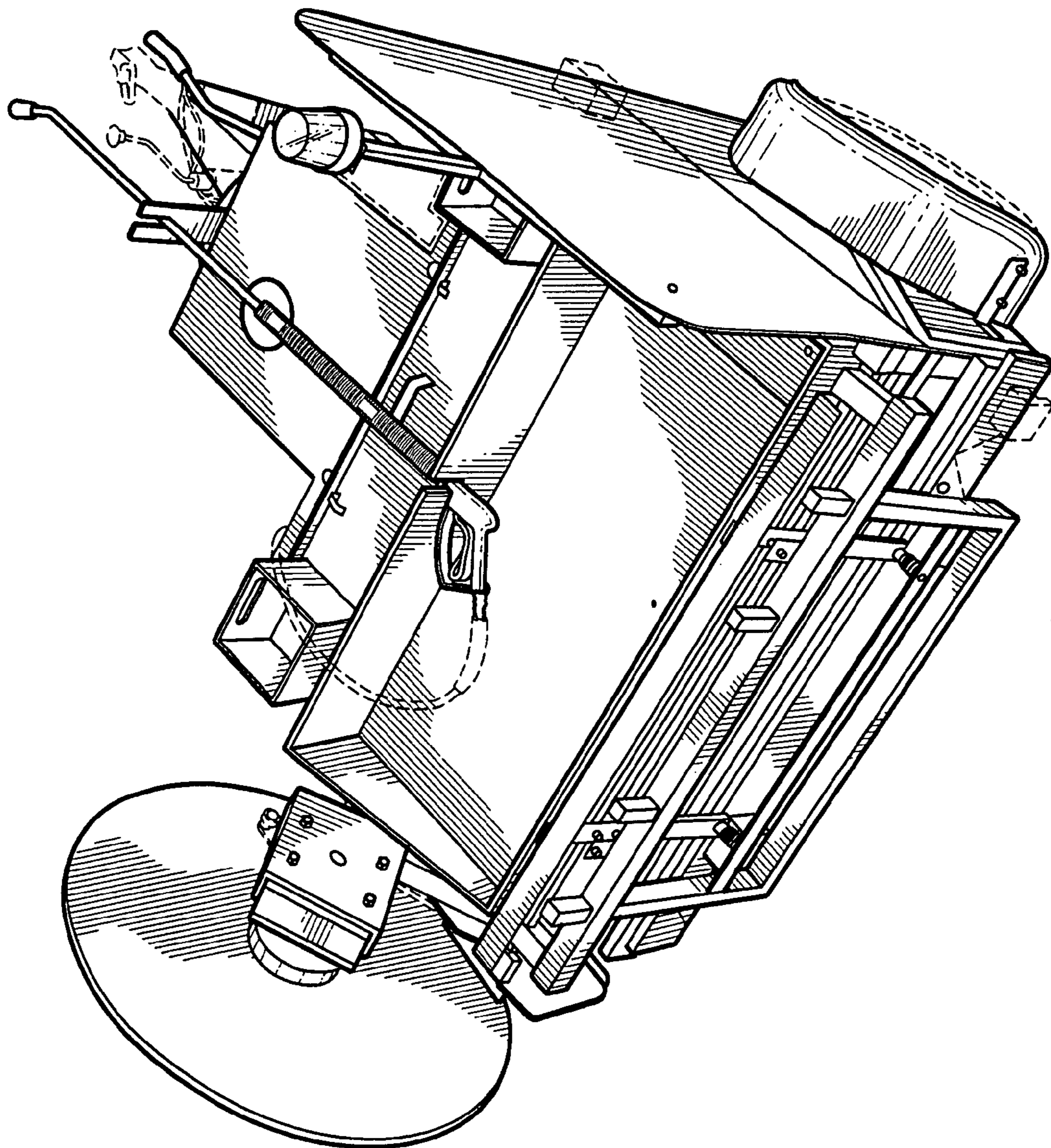


FIG. 3

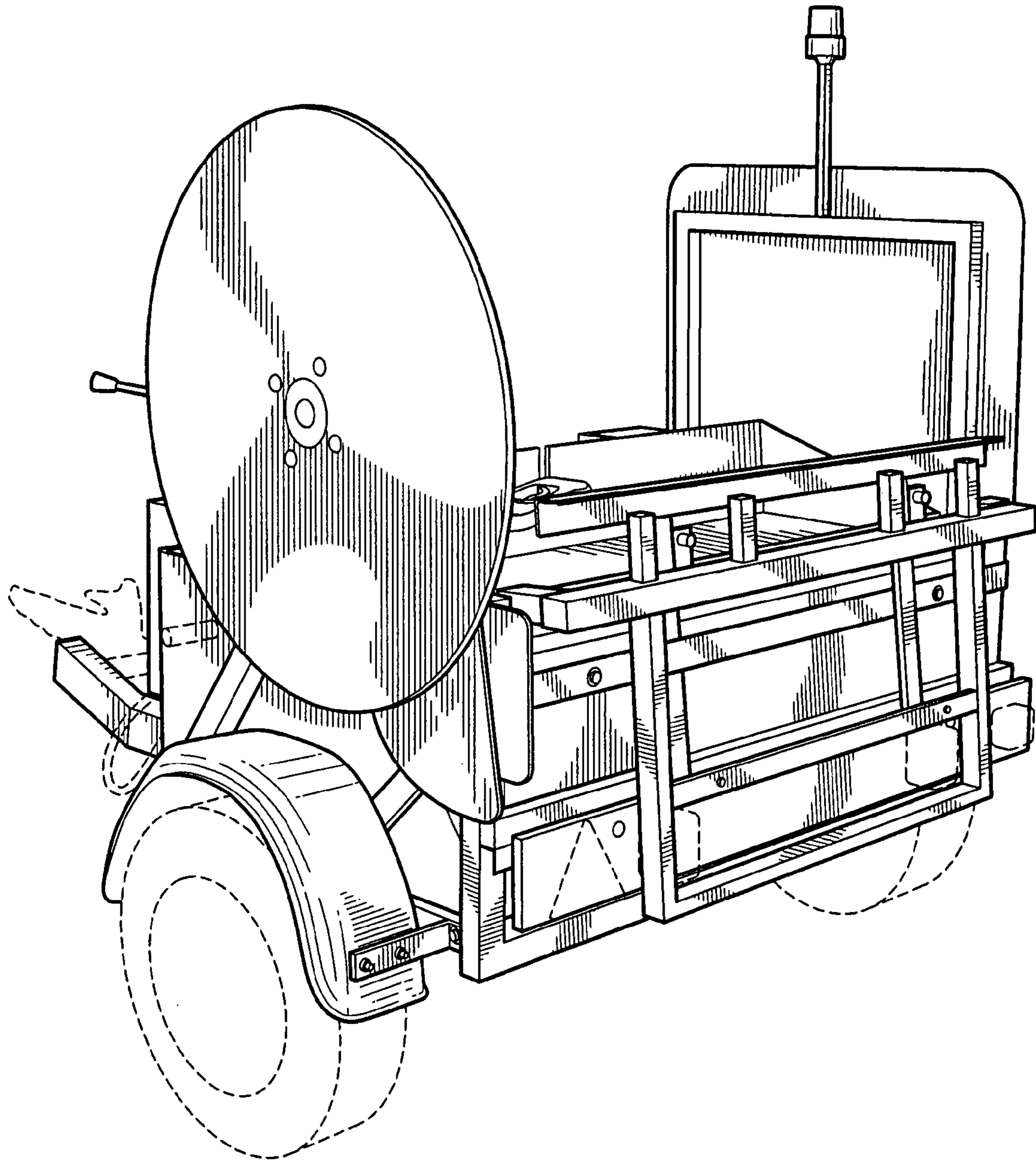


FIG.4

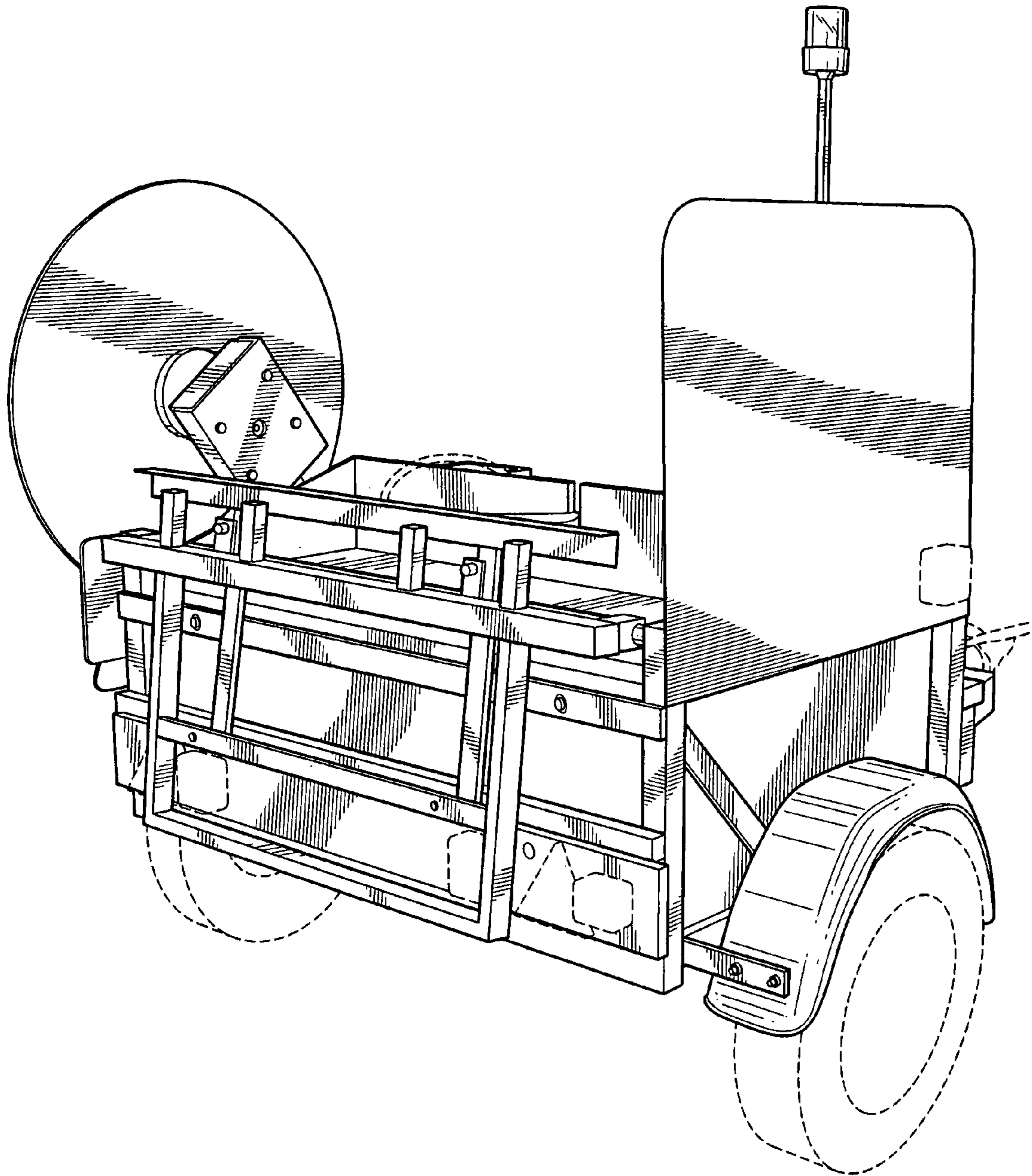


FIG. 5

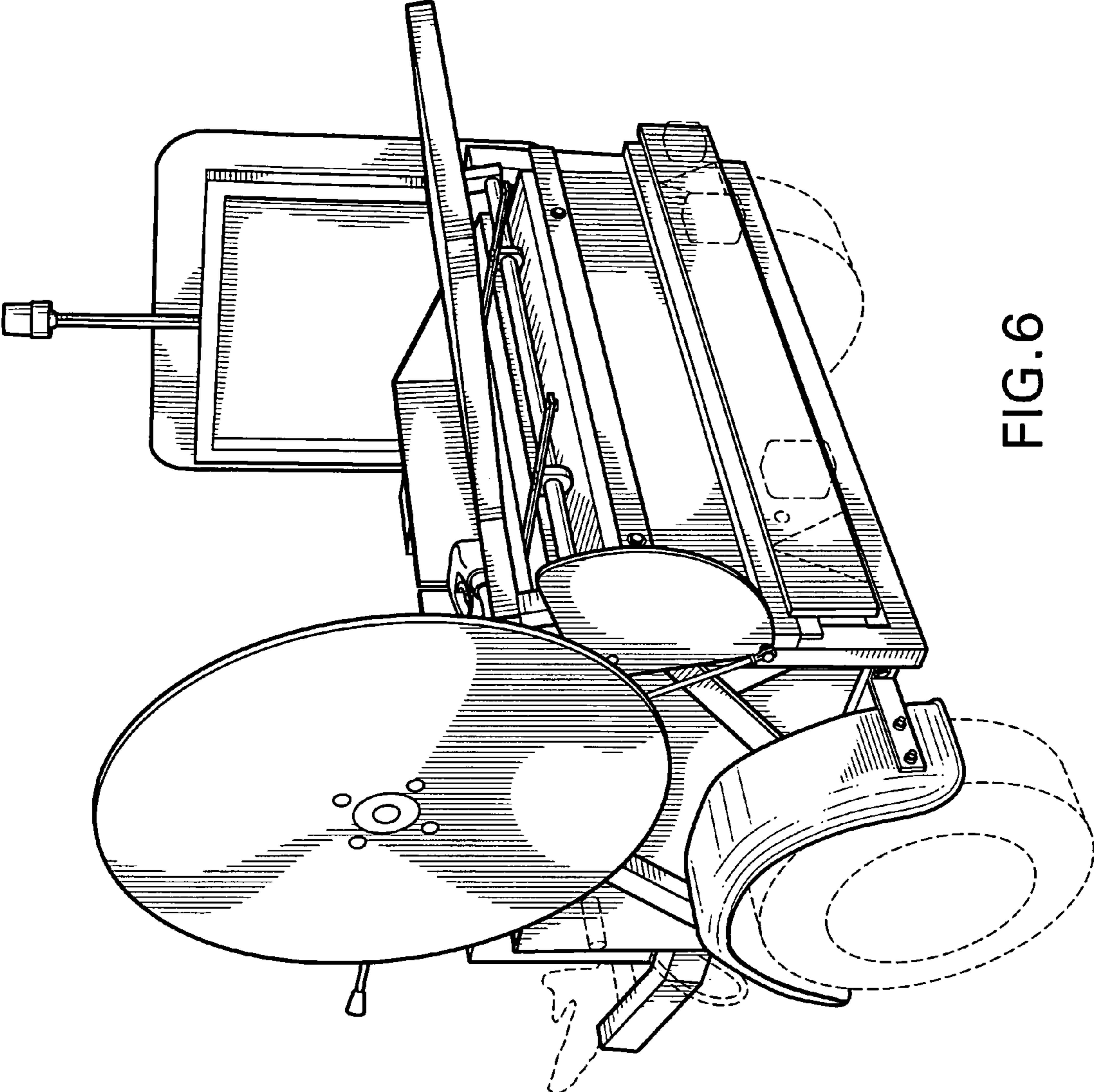


FIG. 6

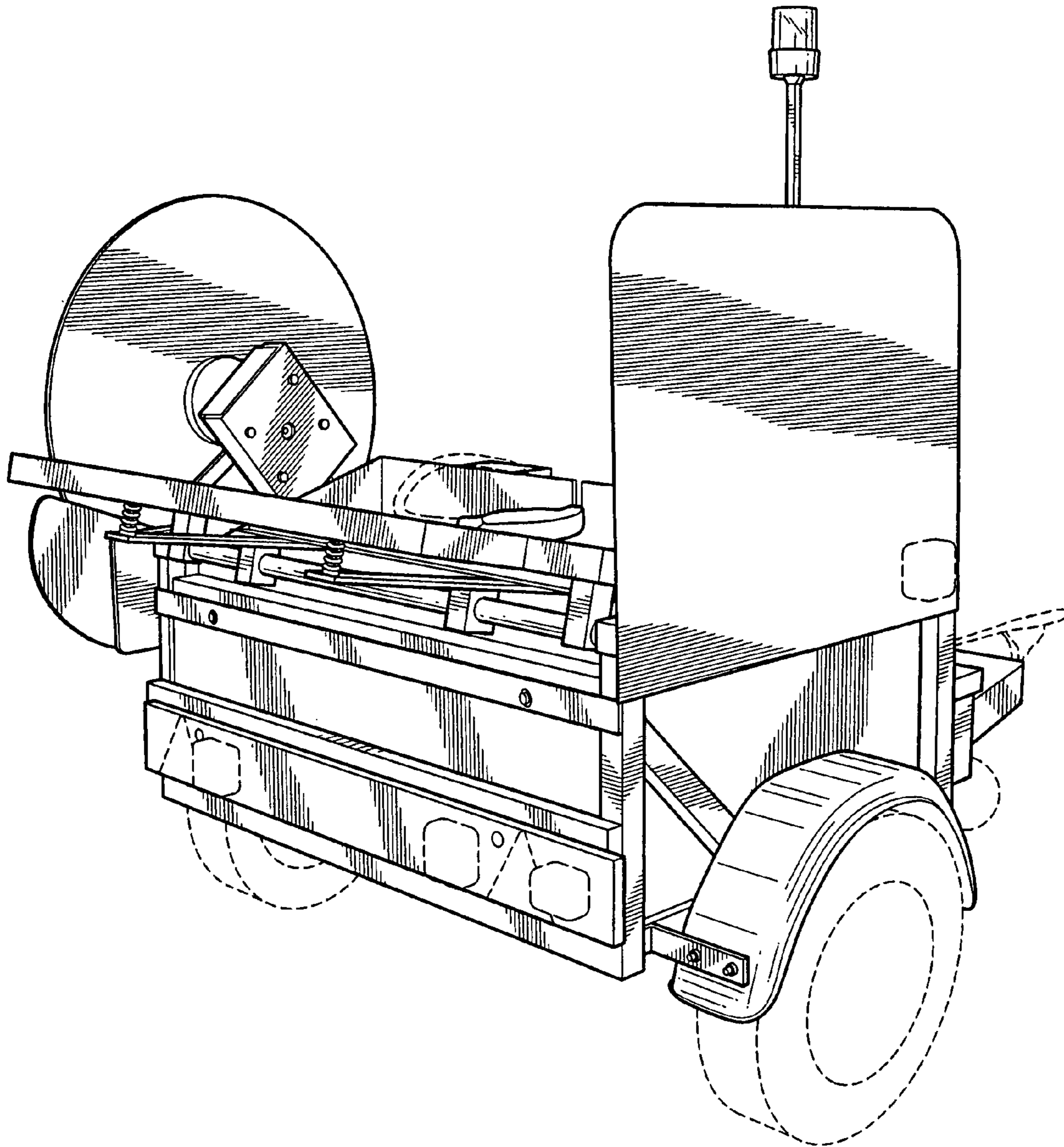


FIG. 7