

US00D579609S

(12) **United States Design Patent**
Hirokawa et al.

(10) **Patent No.:** **US D579,609 S**
(45) **Date of Patent:** **** Oct. 28, 2008**

- (54) **FREESTANDING PET BARRIER**
- (75) Inventors: **Satoshi Hirokawa**, Toyama (JP); **Orie Tani**, Toyama (JP)
- (73) Assignee: **Richell U.S.A., Inc.**, Arlington, TX (US)
- (**) Term: **14 Years**
- (21) Appl. No.: **29/261,146**
- (22) Filed: **Jun. 8, 2006**

JP	929649	7/1995
JP	07-285775	10/1995
JP	1087801	10/2000
JP	1087802	10/2000
JP	1087937	10/2000
JP	2001-008604	1/2001
JP	1122773	10/2001
JP	1137270	3/2002
JP	1169549	4/2003
JP	1169773	4/2003
JP	1170082	4/2003
JP	3467626	5/2003
JP	1174314	6/2003

Related U.S. Application Data

- (63) Continuation of application No. 11/280,790, filed on Nov. 16, 2005.

- (51) **LOC (8) Cl.** **30-02**
- (52) **U.S. Cl.** **D30/114; D6/332**
- (58) **Field of Classification Search** D30/108, D30/118, 119, 160, 199, 116, 161; D6/332; D23/406; 5/513; 40/539, 605, 606.01, 607.01; 49/50, 55-58; 119/28.5, 161-170, 482, 491, 119/496, 499, 502, 512-513, 705, 712; 126/544; 231/7

See application file for complete search history.

(56) **References Cited**

U.S. PATENT DOCUMENTS

711,322	A *	10/1902	Kaufman	126/544
1,598,438	A *	8/1926	Hallowell	40/606.01
2,471,691	A *	5/1949	Hurst	5/100
2,896,277	A *	7/1959	Halligan	49/55
4,172,334	A *	10/1979	Nielsen	40/607.01
4,611,431	A *	9/1986	Lauro	49/55
5,396,732	A *	3/1995	Andersen	49/55
5,787,524	A *	8/1998	Butnik	5/93.1
6,206,212	B1 *	3/2001	Loew	211/189
2006/0107901	A1 *	5/2006	Hirokawa et al.	119/452
2006/0260195	A1 *	11/2006	Witman et al.	49/57

FOREIGN PATENT DOCUMENTS

JP	48-29652	9/1973
JP	54-98754	7/1979
JP	07-173891	7/1995

OTHER PUBLICATIONS

Richell Corporation, Pet sitter gate picture taken from sales catalog, 2003-2004, issued in Feb. 2003.
 Patent abstract and partial translation, JP07-173891.
 Patent abstract and partial translation, JP07-285775.
 Patent abstract and partial translation, JP2001-008604.
 Patent abstract and machine translation, JP2004-242649.
 Partial translation, JP3467626.

* cited by examiner

Primary Examiner—Cathy Anne MacCormac
 (74) *Attorney, Agent, or Firm*—Conley Rose, P.C.

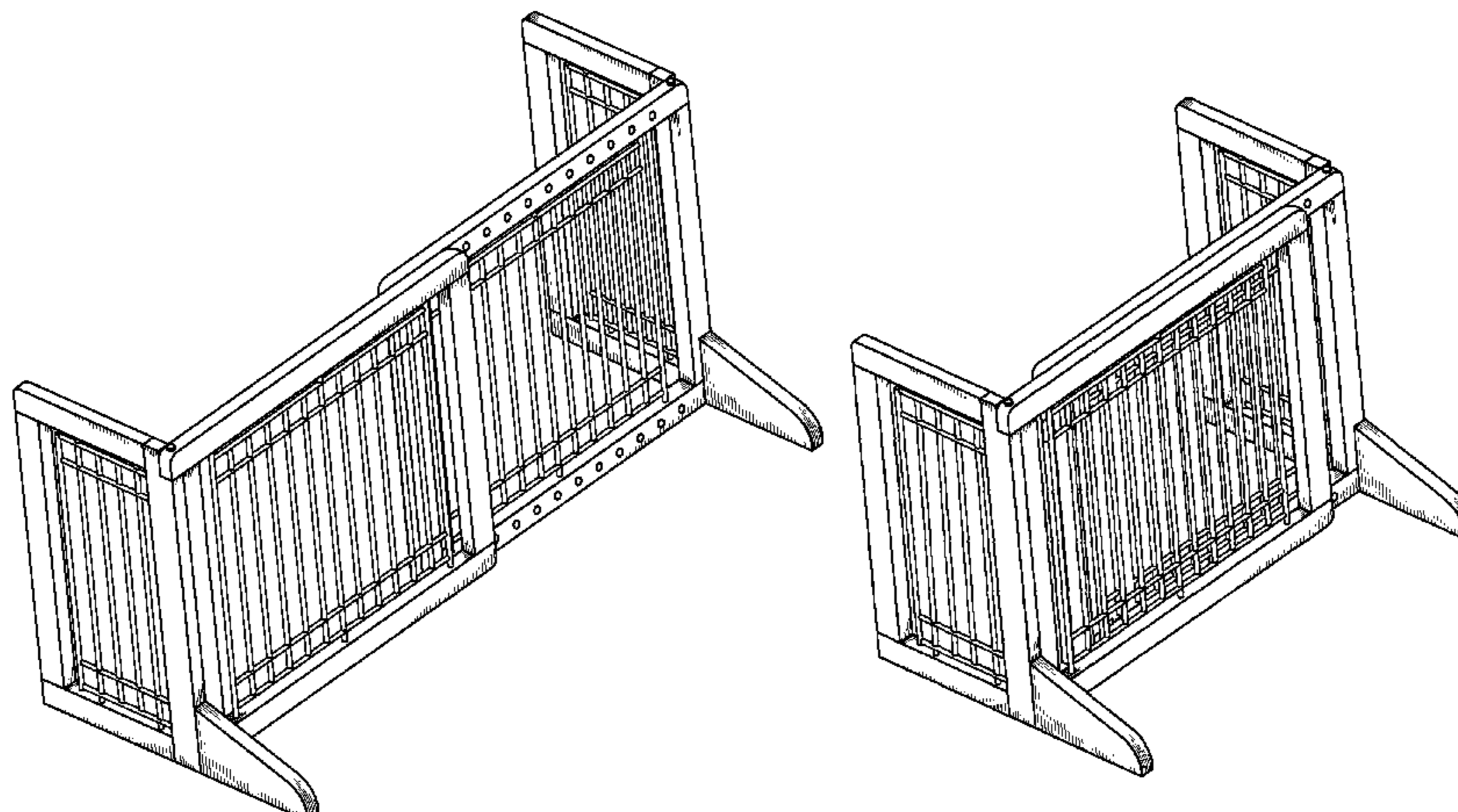
(57) **CLAIM**

The ornamental design for a freestanding pet barrier, as shown and described.

DESCRIPTION

FIG. 1 is a front perspective view of a freestanding pet barrier in accordance with our new design;
 FIG. 2 is a front elevational view thereof;
 FIG. 3 is a top plan view thereof;
 FIG. 4 is a bottom plan view thereof;
 FIG. 5 is a left elevational view thereof;
 FIG. 6 is a right elevational view thereof; and,
 FIG. 7 is another front perspective view thereof, in an alternate position.

1 Claim, 4 Drawing Sheets



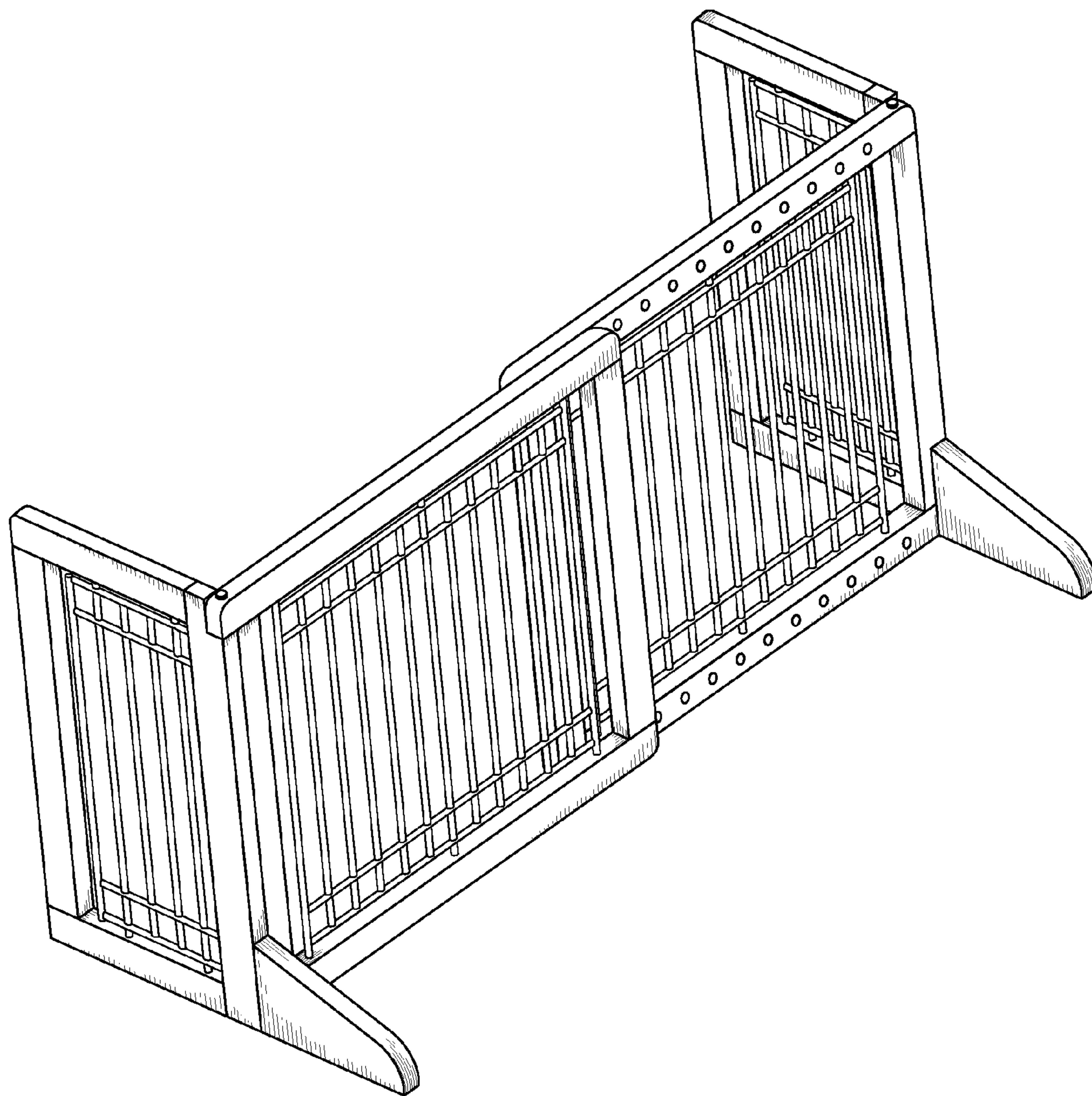


FIG. 1

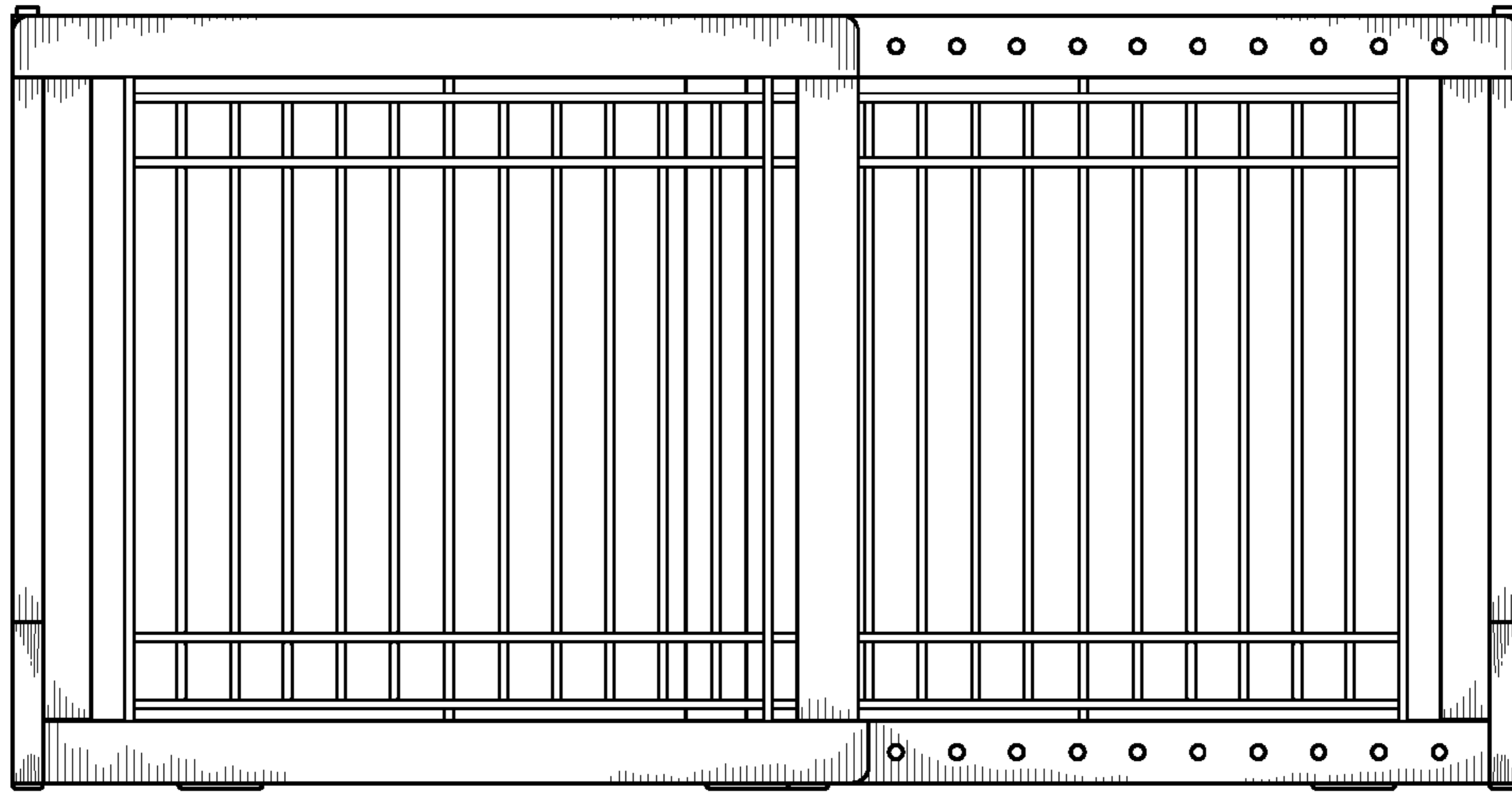


FIG. 2

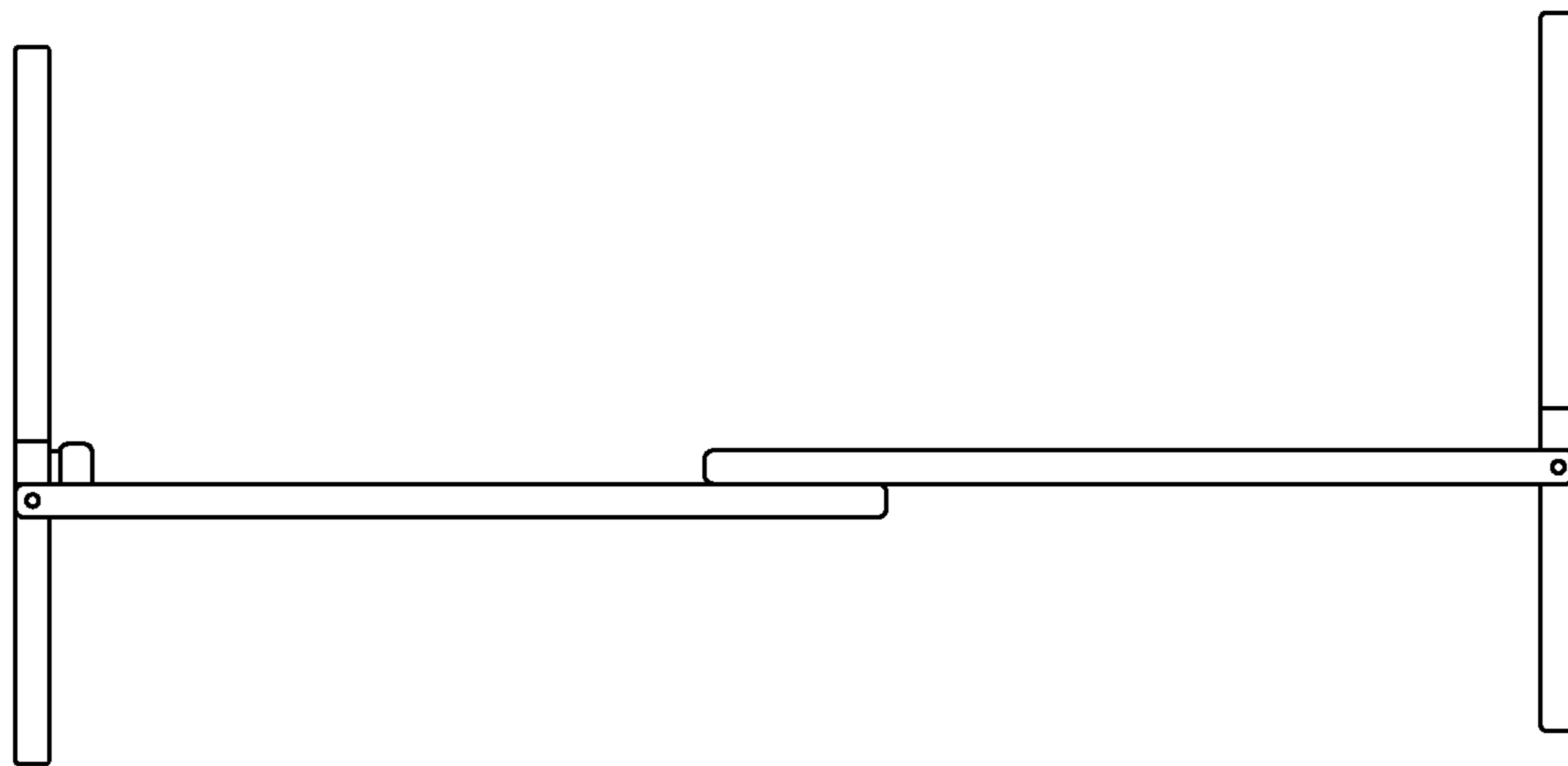


FIG. 3

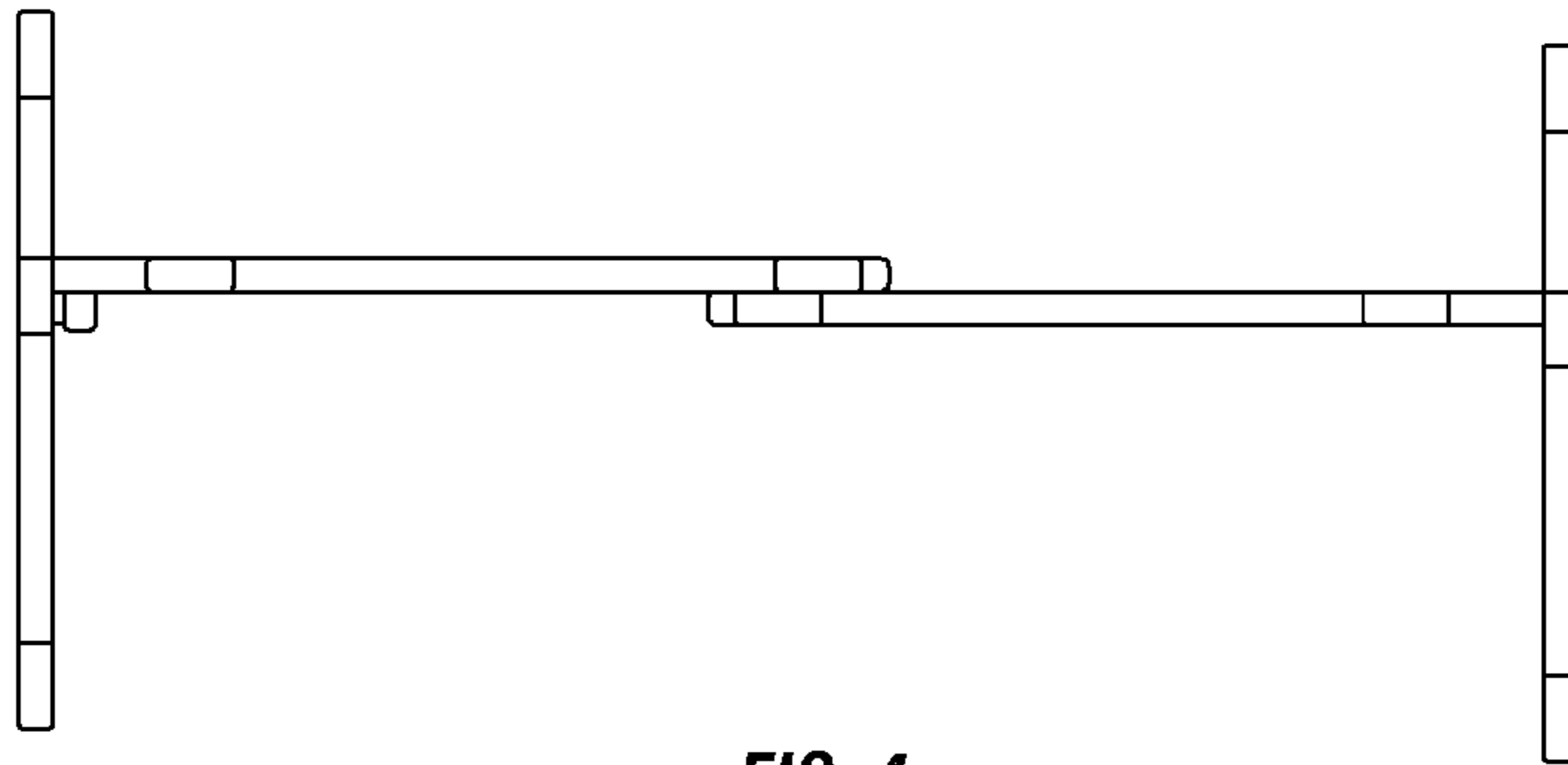


FIG. 4

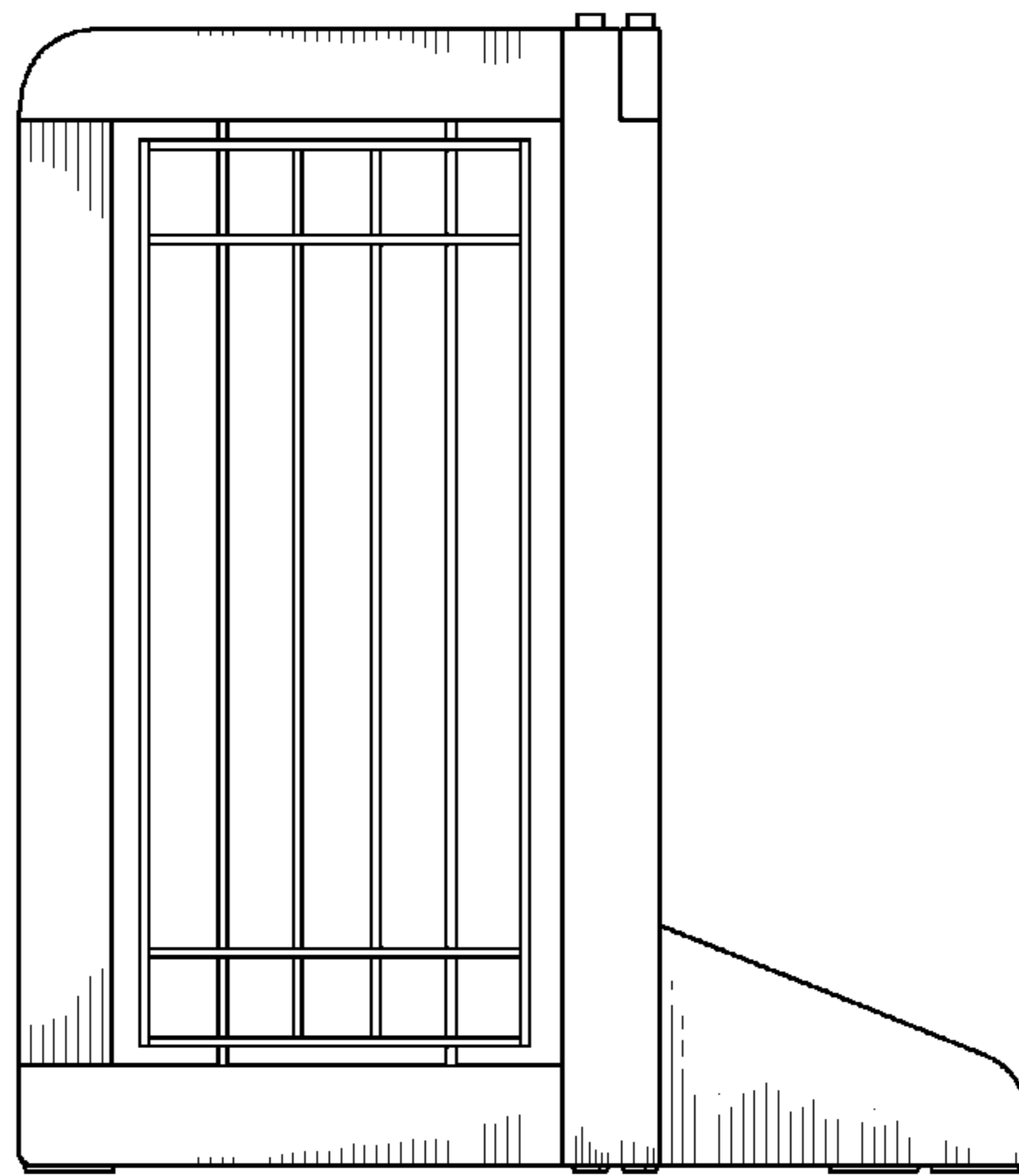


FIG. 5

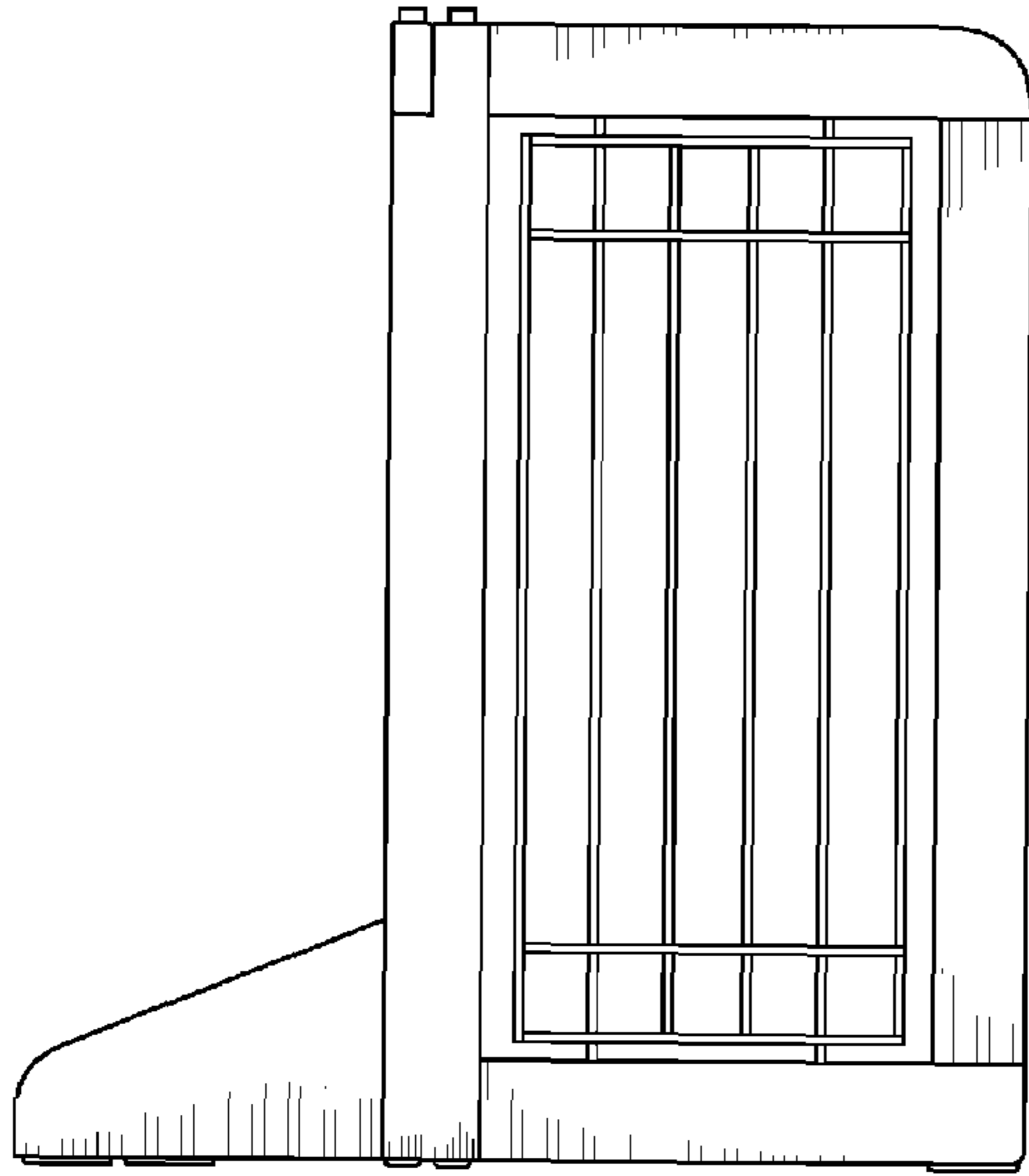


FIG. 6

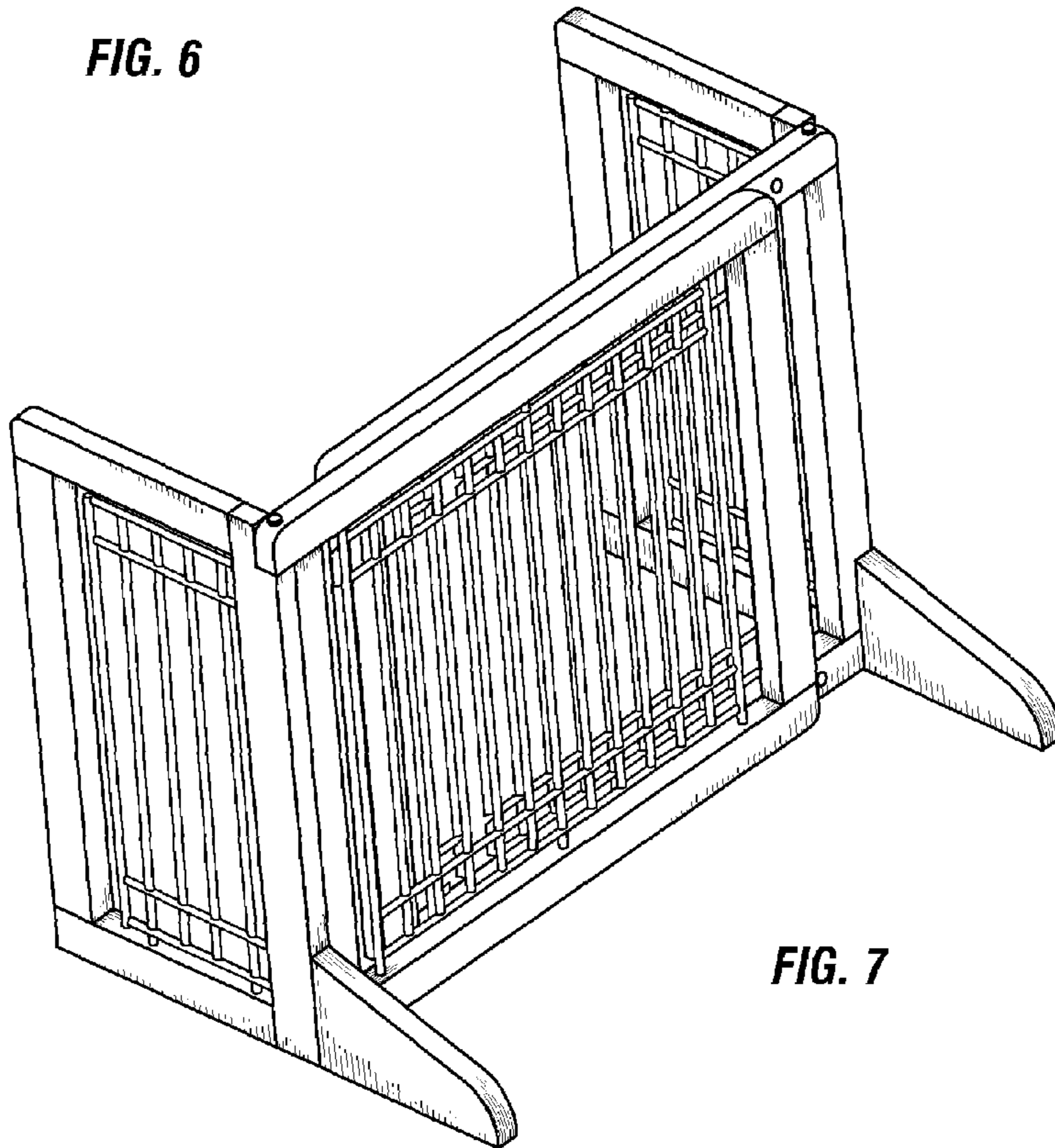


FIG. 7