



US00D579608S

(12) **United States Design Patent**
Burrow et al.

(10) **Patent No.:** **US D579,608 S**
(45) **Date of Patent:** **** Oct. 28, 2008**

(54) **COMBINED FRAGRANCE EMITTING PATCH AND COMPACT**

(75) Inventors: **Ricky Ray Burrow**, Doylestown, PA (US); **Mary Genovese**, Farmingdale, NJ (US); **Elysha Huntington**, New York, NY (US); **Vincent Parent**, Belle Mead, NJ (US)

(73) Assignee: **McNeil-PPC-USA**, Skillman, NJ (US)

(**) Term: **14 Years**

(21) Appl. No.: **29/295,225**

(22) Filed: **Sep. 24, 2007**

(51) **LOC (8) Cl.** **28-03**

(52) **U.S. Cl.** **D28/78**

(58) **Field of Classification Search** D28/73, D28/76-84; 132/286-288, 293-307, 312-318; 220/DIG. 26; 206/581, 823

See application file for complete search history.

(56) **References Cited**

U.S. PATENT DOCUMENTS

D299,561 S *	1/1989	Bakic	D28/78
D303,163 S *	8/1989	Bakic	D28/78
D303,581 S *	9/1989	Bakic	D28/78
D306,503 S *	3/1990	Bakic	D28/78
5,845,658 A *	12/1998	Sussman	132/287
6,058,942 A *	5/2000	Eng	132/200
D551,804 S *	9/2007	Allen et al.	D28/78
2004/0182413 A1 *	9/2004	de Laforcade	132/293
2006/0027481 A1 *	2/2006	Gelardi et al.	206/581

* cited by examiner

Primary Examiner—Jennifer Rivard

(57) **CLAIM**

The ornamental design for a combined fragrance emitting patch and compact, as shown and described.

DESCRIPTION

FIG. 1 is a top plan view of a combined fragrance emitting patch and compact showing the compact in a closed configuration;

FIG. 2 is a bottom plan view of the combined fragrance emitting patch and compact shown in FIG. 1;

FIG. 3 is a front elevation view of the combined fragrance emitting patch and compact shown in FIG. 1;

FIG. 4 is a rear elevation view of the combined fragrance emitting patch and compact shown in FIG. 1;

FIG. 5 is a side elevation view of the combined fragrance emitting patch and compact shown in FIG. 1;

FIG. 6 is a top plan view of the combined fragrance emitting patch and compact shown in FIG. 1 showing the compact in an open configuration with the fragrance emitting patch arranged within the compact;

FIG. 7 bottom plan view of the combined fragrance emitting patch and compact shown in FIG. 1 showing the compact in an open configuration;

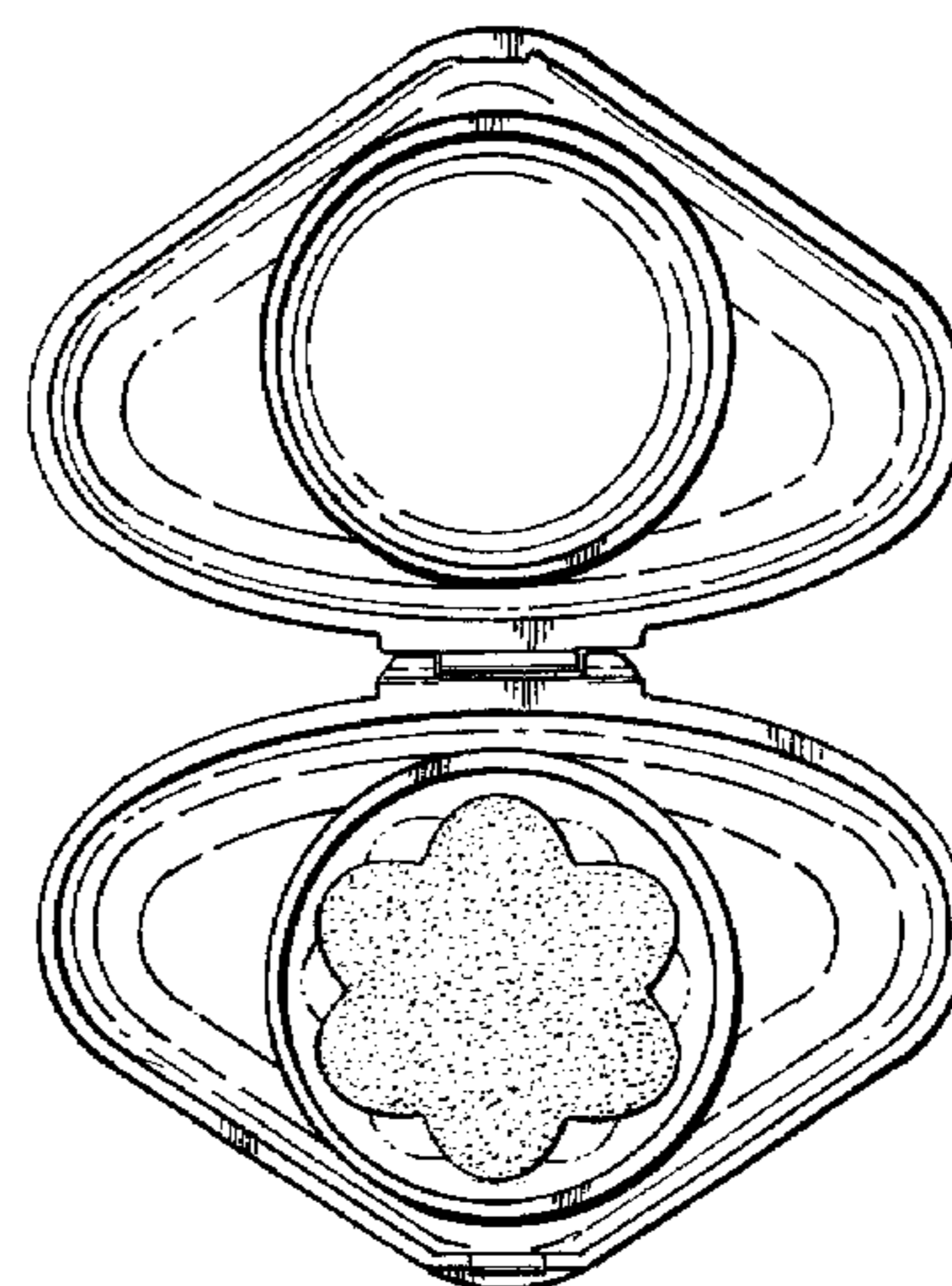
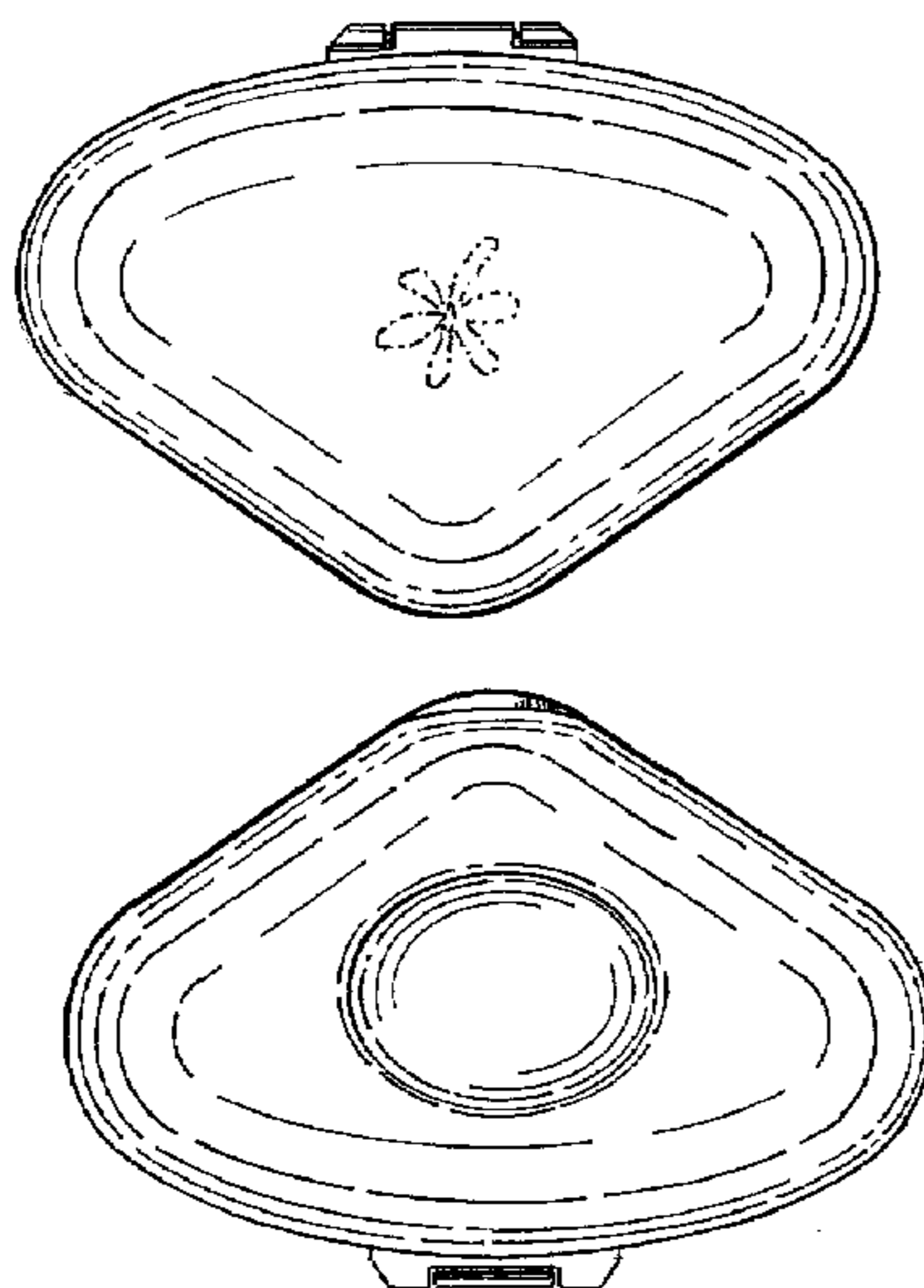
FIG. 8 is a front elevation view of the combined fragrance emitting patch and compact shown in FIG. 1 showing the compact in an open configuration;

FIG. 9 is a side elevation view of the combined fragrance emitting patch and compact shown in FIG. 1 showing the compact in an open configuration; and,

FIG. 10 is a rear elevation view of the combined fragrance emitting patch and compact shown in FIG. 1 showing the compact in an open configuration.

The broken line showing of the flower and patch are included for the purpose of illustrating portions of the article and form no part of the claimed design.

1 Claim, 3 Drawing Sheets



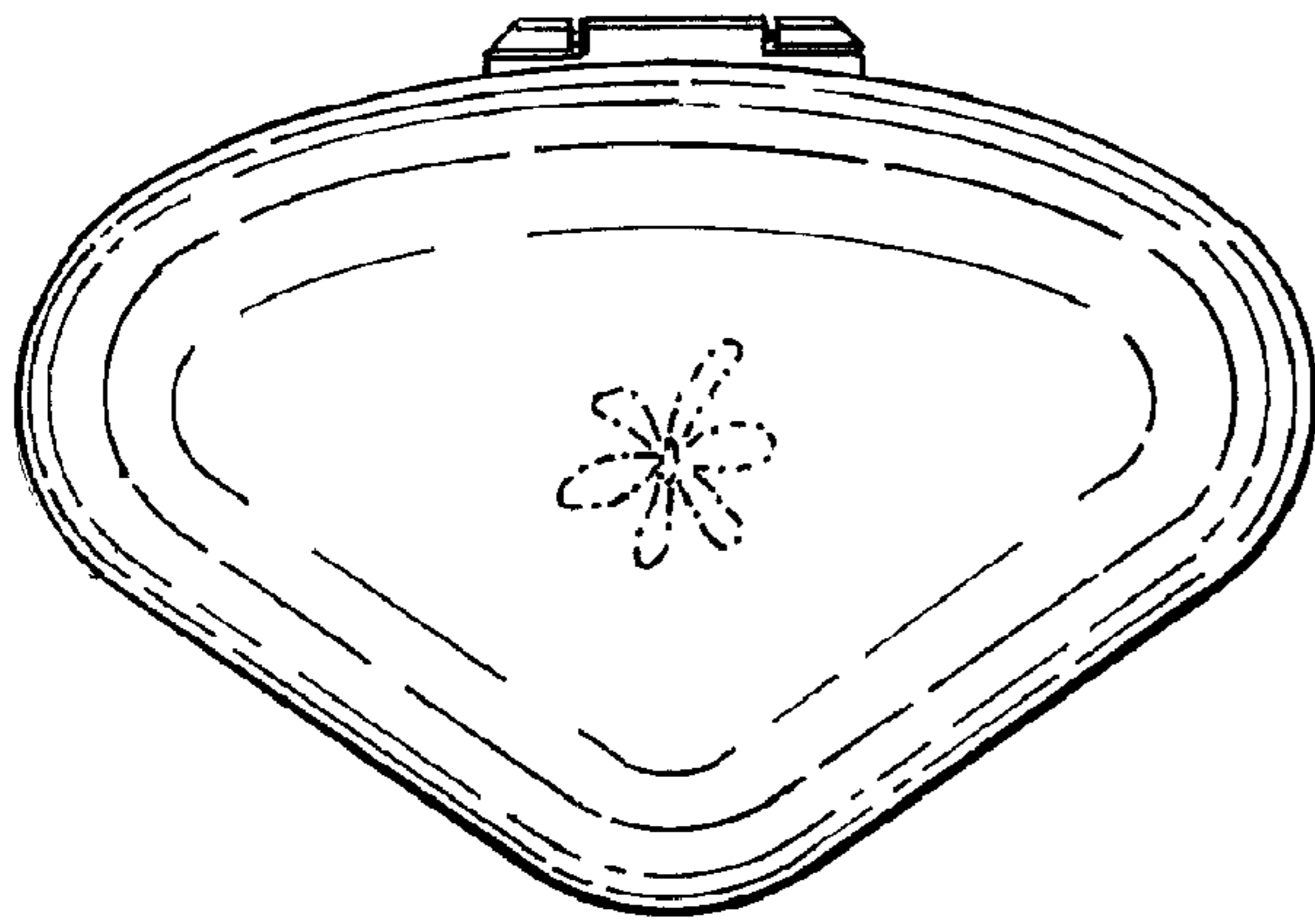


Fig. 1

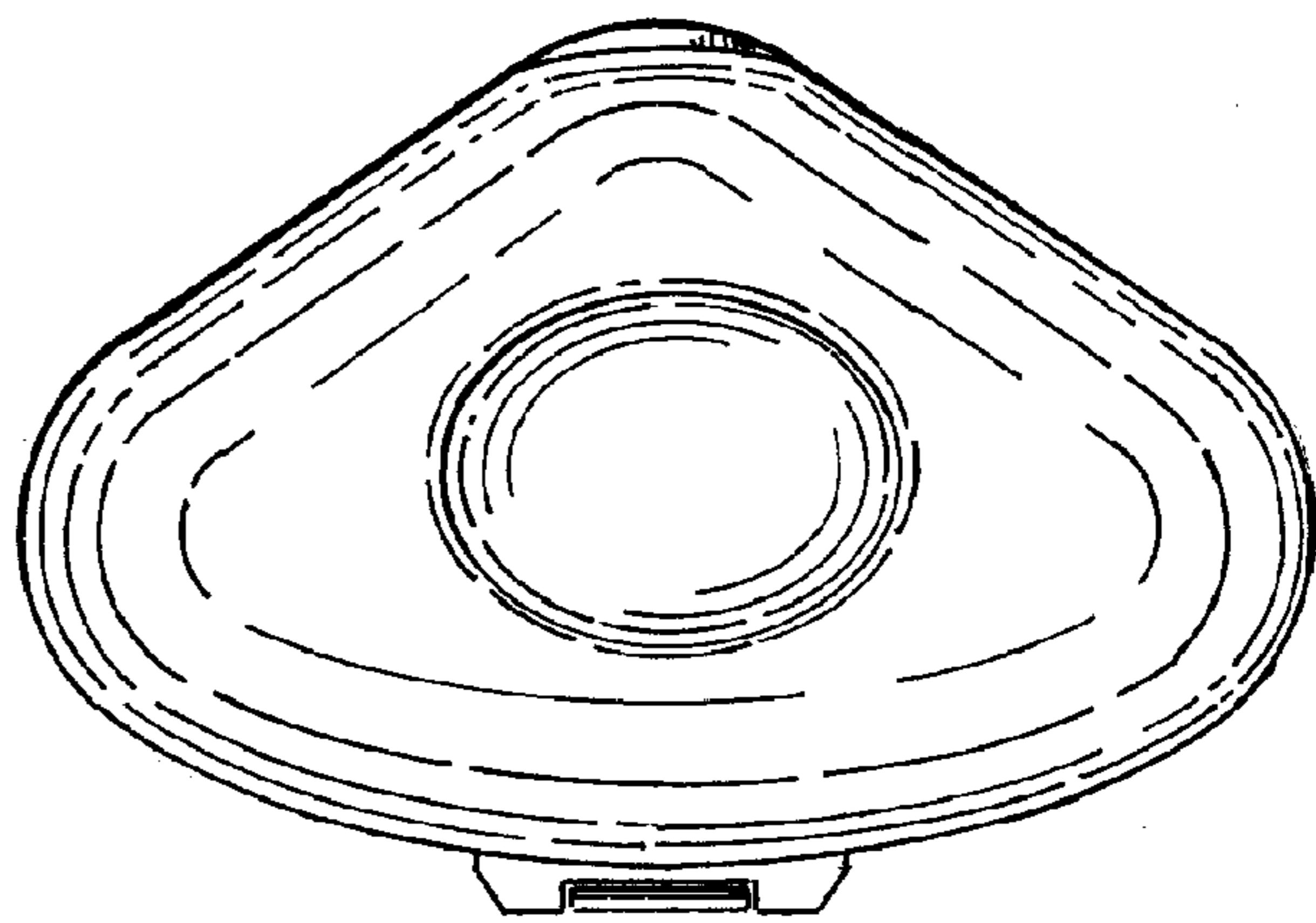


Fig. 2

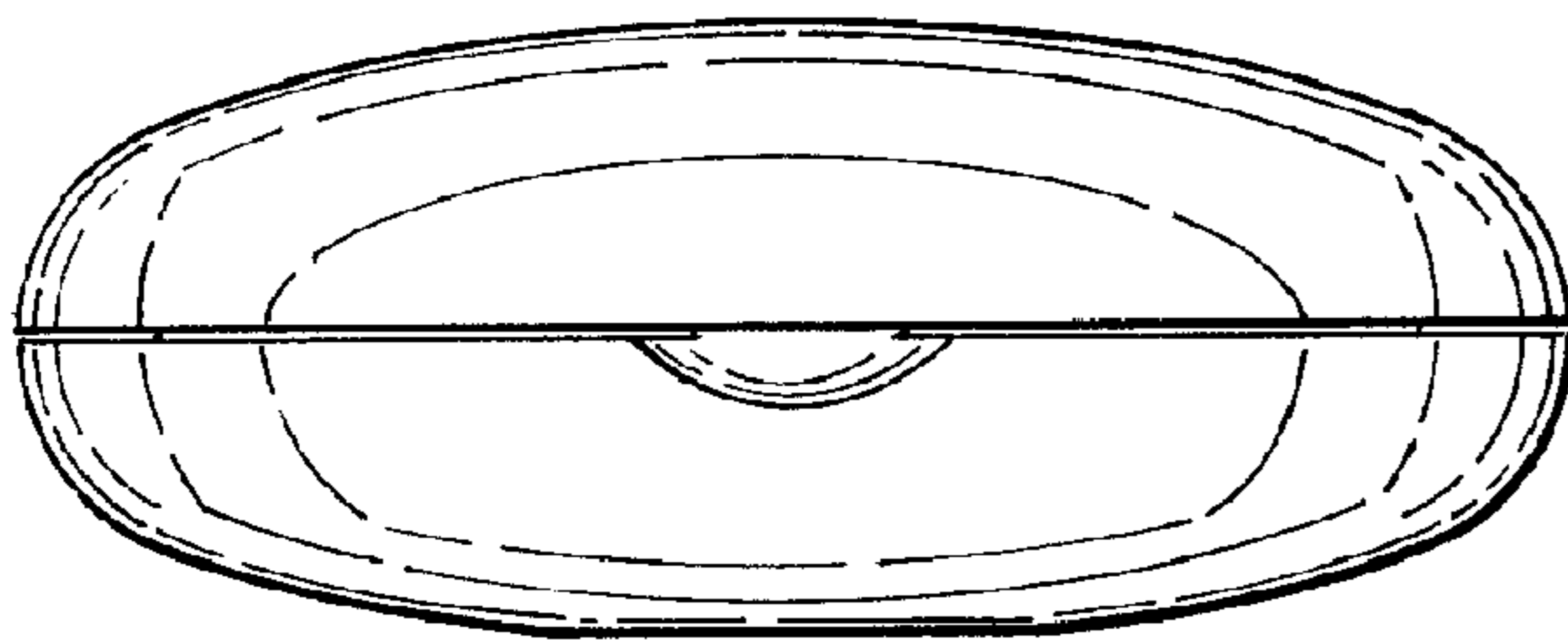


Fig. 3

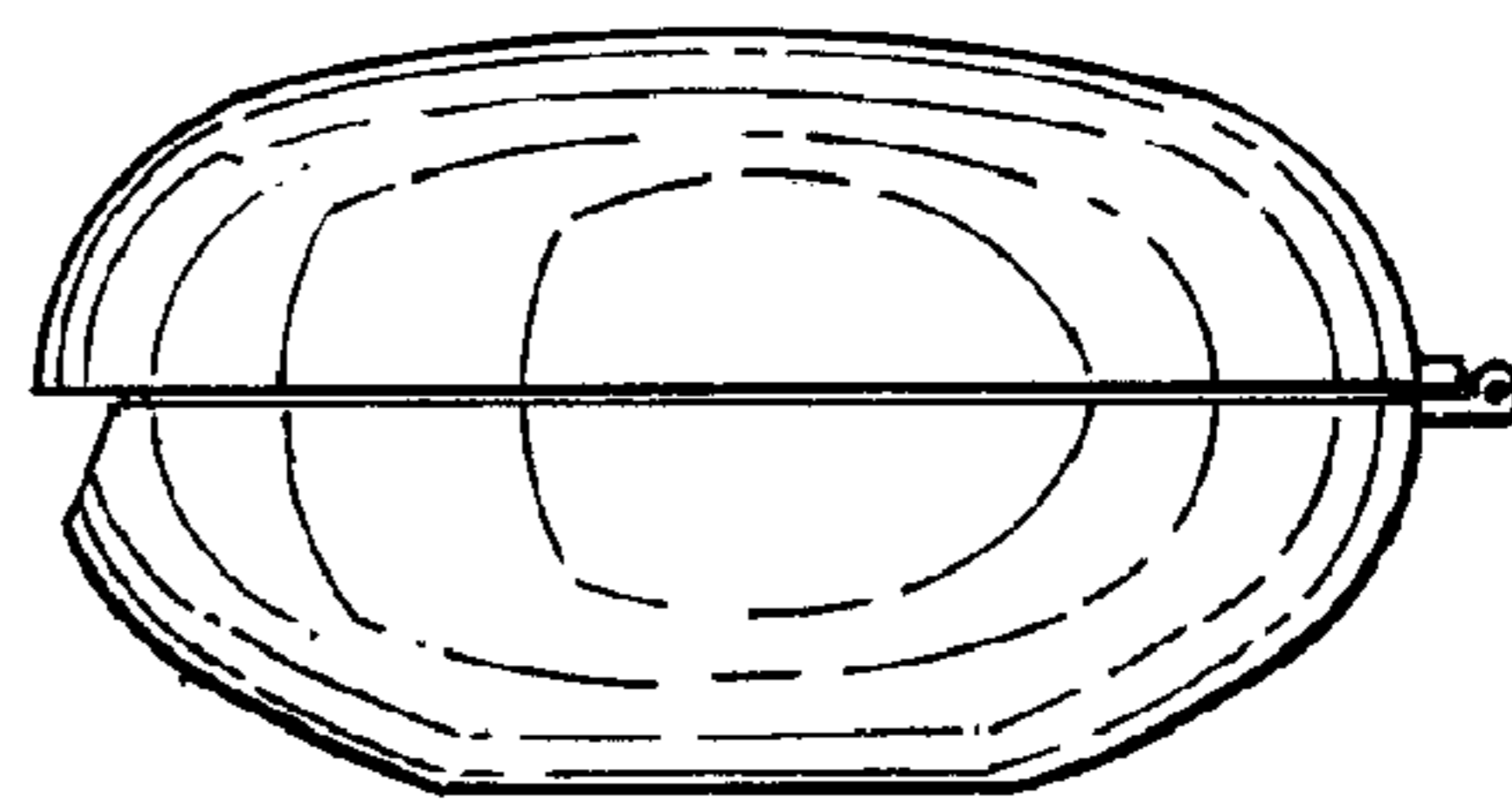


Fig. 5

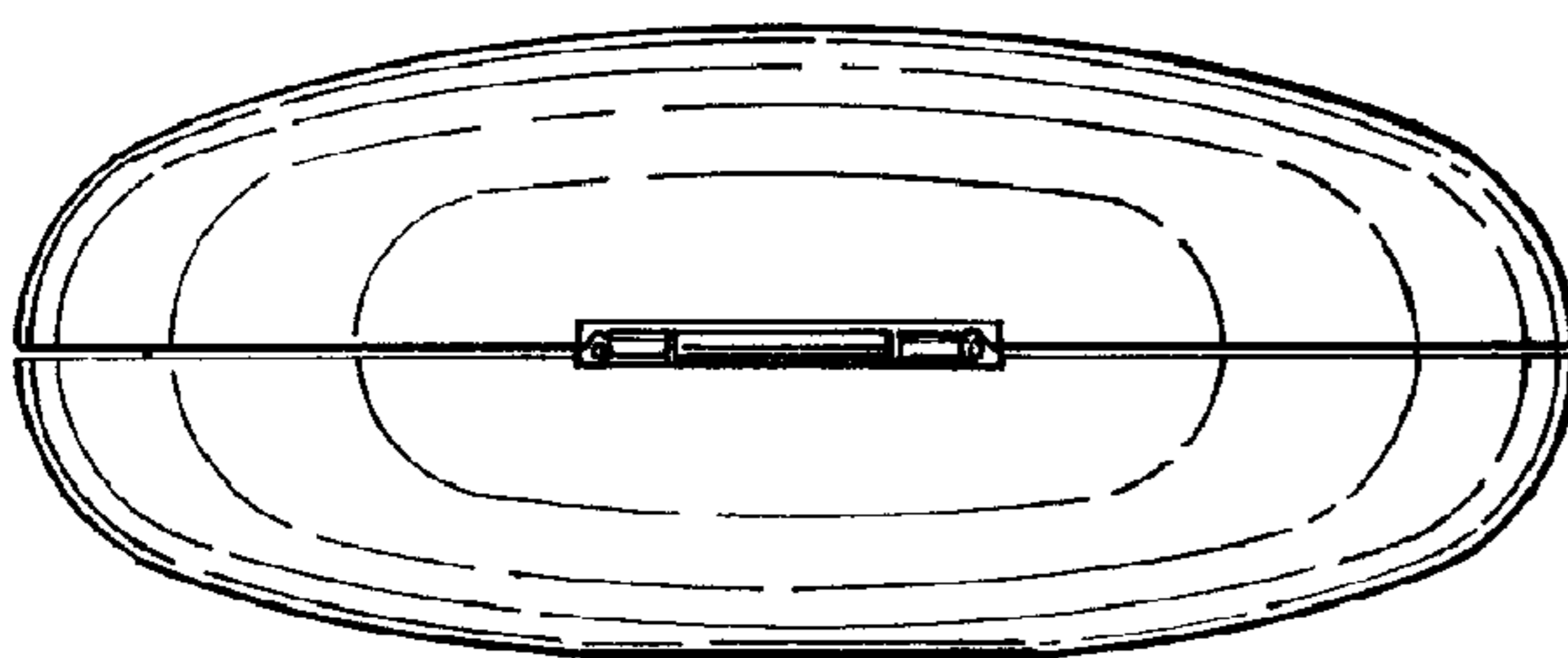


Fig. 4

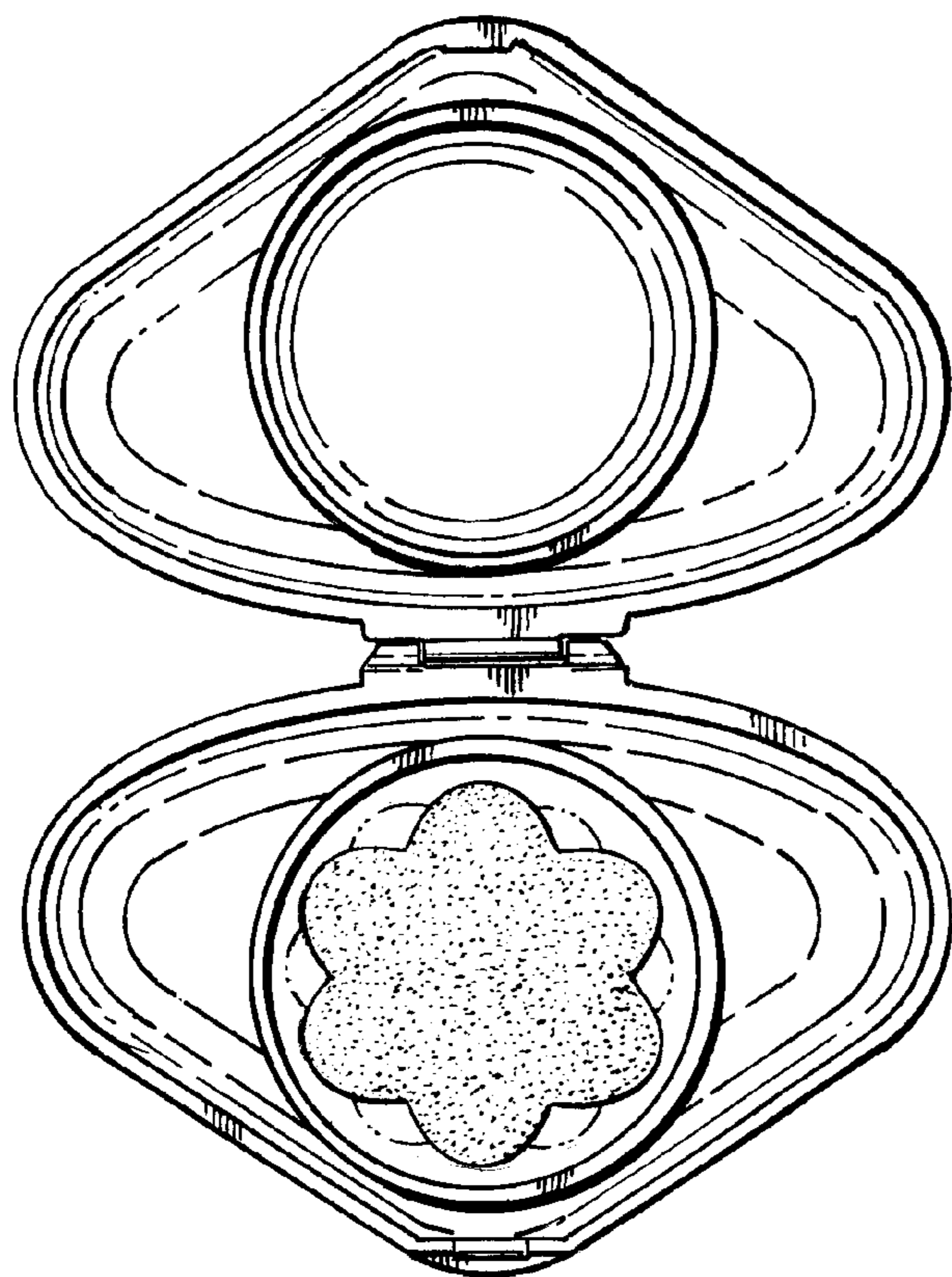


Fig. 6

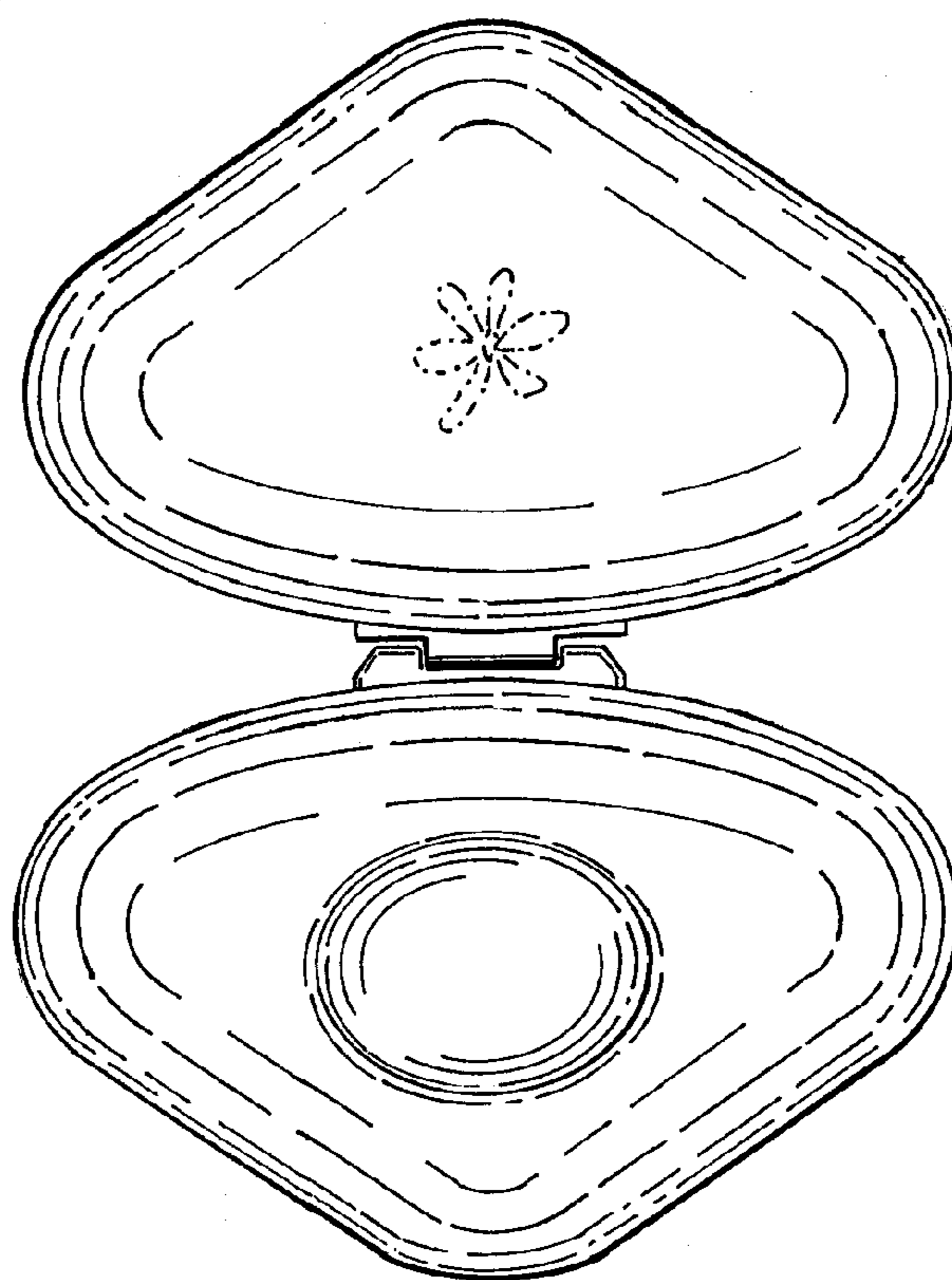


Fig. 7

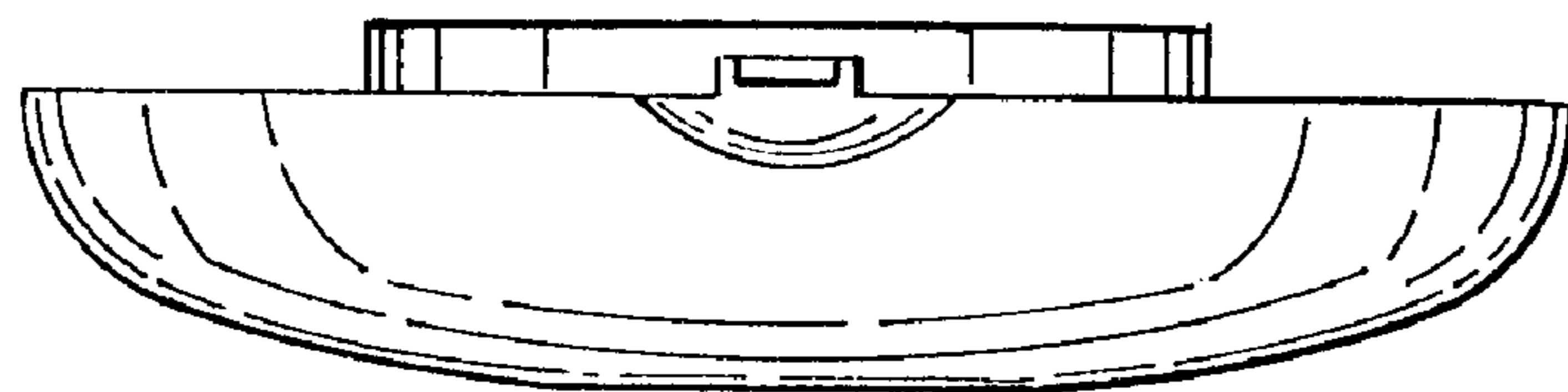


Fig. 8

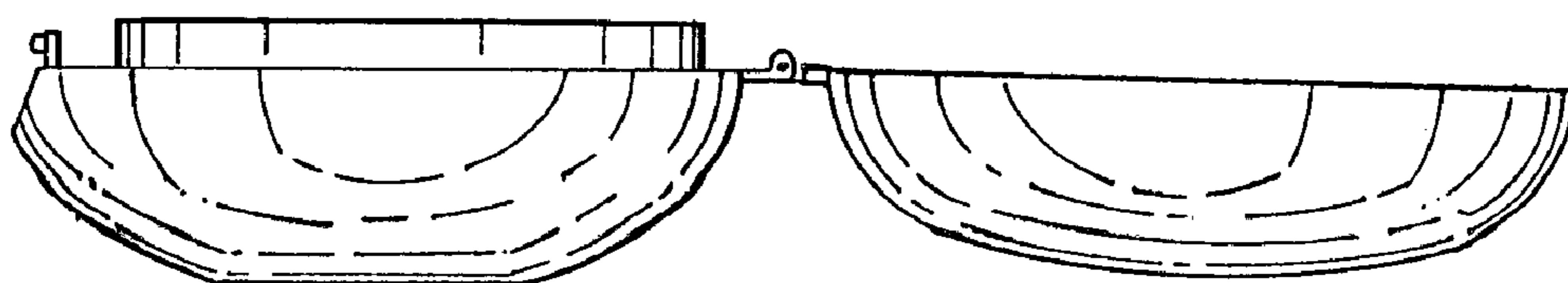


Fig. 9

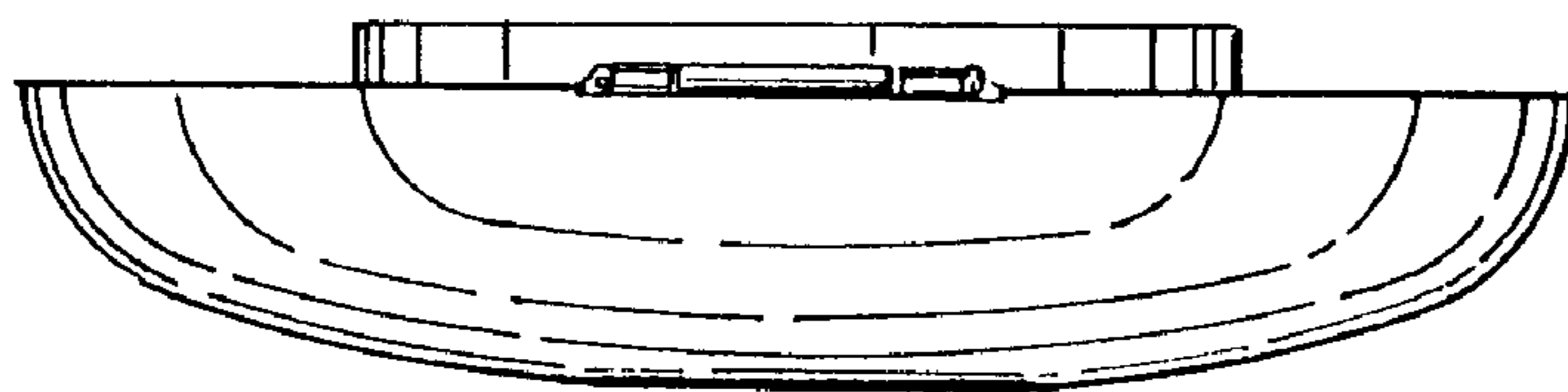


Fig. 10