



US00D579605S

(12) **United States Design Patent**
Dunn et al.

(10) **Patent No.:** **US D579,605 S**
(45) **Date of Patent:** **** Oct. 28, 2008**

(54) **TASK LIGHT**

(76) Inventors: **David Dunn**, 1001 Eastern Avenue,
Toronto, Ontario (CA) M4L 1A8; **Kevin Kowalchuk**, 1200 Jonathon Drive,
Oakville, Ontario (CA) L6J 7H6; **Bryan Drew Miller**, 136 Bernard Avenue,
Richmond Hill, Ontario (CA) L4G 9Z6

(**) Term: **14 Years**

(21) Appl. No.: **29/248,555**

(22) Filed: **Aug. 21, 2006**

(51) **LOC (8) Cl.** **26-99**

(52) **U.S. Cl.** **D26/144**

(58) **Field of Classification Search** D26/67,
D26/34, 138, 140, 142, 118, 72, 85, 86, 87,
D26/84, 75, 76, 144; 248/230.5, 156; 362/373,
362/477, 473, 231; D10/104; D8/373, 354;
D6/579; D13/180

See application file for complete search history.

(56) **References Cited**

U.S. PATENT DOCUMENTS

1,366,710	A *	1/1921	Anker	248/156
D91,342	S *	1/1934	Yohe	D26/24
D121,094	S *	6/1940	Heath	D26/75
D129,922	S *	10/1941	Irmischer	D26/24
2,596,627	A *	5/1952	Wahnish	296/97.7
D310,426	S *	9/1990	Rook	D26/138

5,537,304	A *	7/1996	Klaus	362/373
D418,241	S *	12/1999	Thomas	D26/84
D440,348	S *	4/2001	Tai	D26/144
D470,967	S *	2/2003	Rose	D26/81
D487,600	S *	3/2004	Fickas	D26/138

* cited by examiner

Primary Examiner—Freda S. Nunn

Assistant Examiner—Kevin K Rudzinski

(74) *Attorney, Agent, or Firm*—Herman & Millman

(57) **CLAIM**

The ornamental design for a task light, as shown and described.

DESCRIPTION

FIG. 1 is a perspective view from below of the task light of the present invention;

FIG. 2 is a perspective view from above thereof;

FIG. 3 is a rear elevation view thereof;

FIG. 4 is a front elevation view thereof;

FIG. 5 is a right side elevation view thereof;

FIG. 6 is a left side elevation view thereof;

FIG. 7 is a bottom plan view thereof; and,

FIG. 8 is a top plan view thereof.

The broken line showing is included for the purpose of illustration only and forms no part of the claimed design.

1 Claim, 8 Drawing Sheets

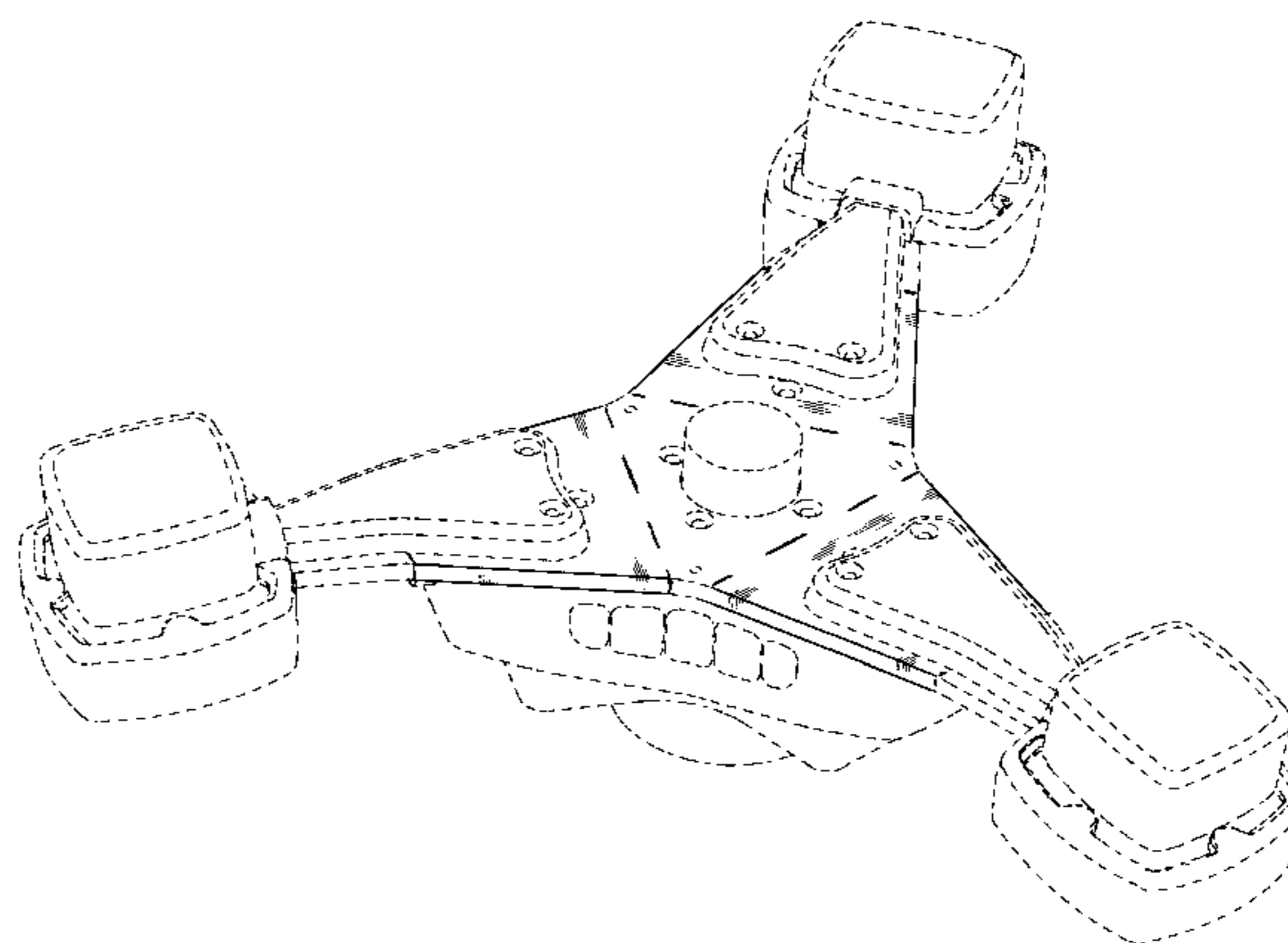
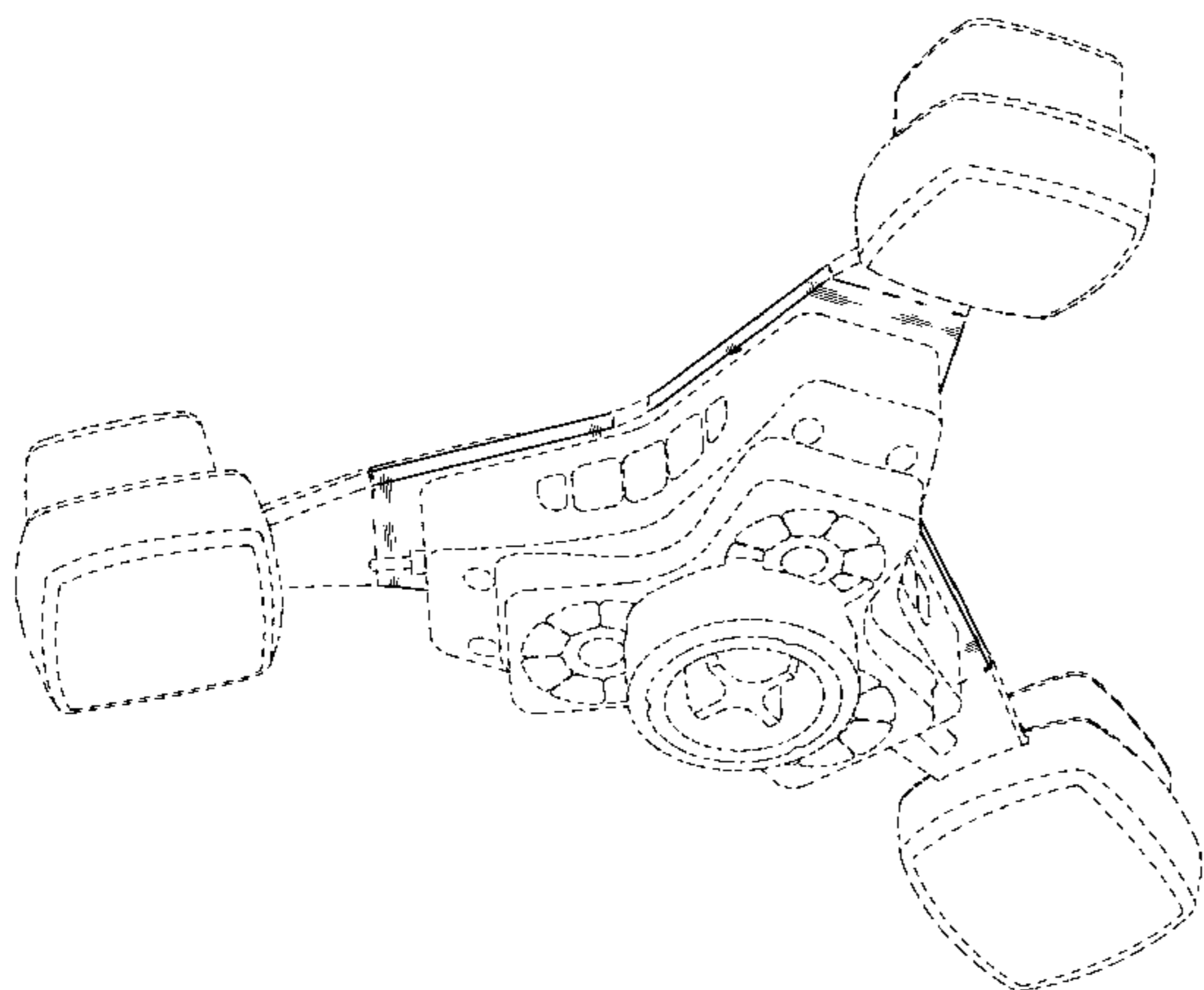


FIG. 1

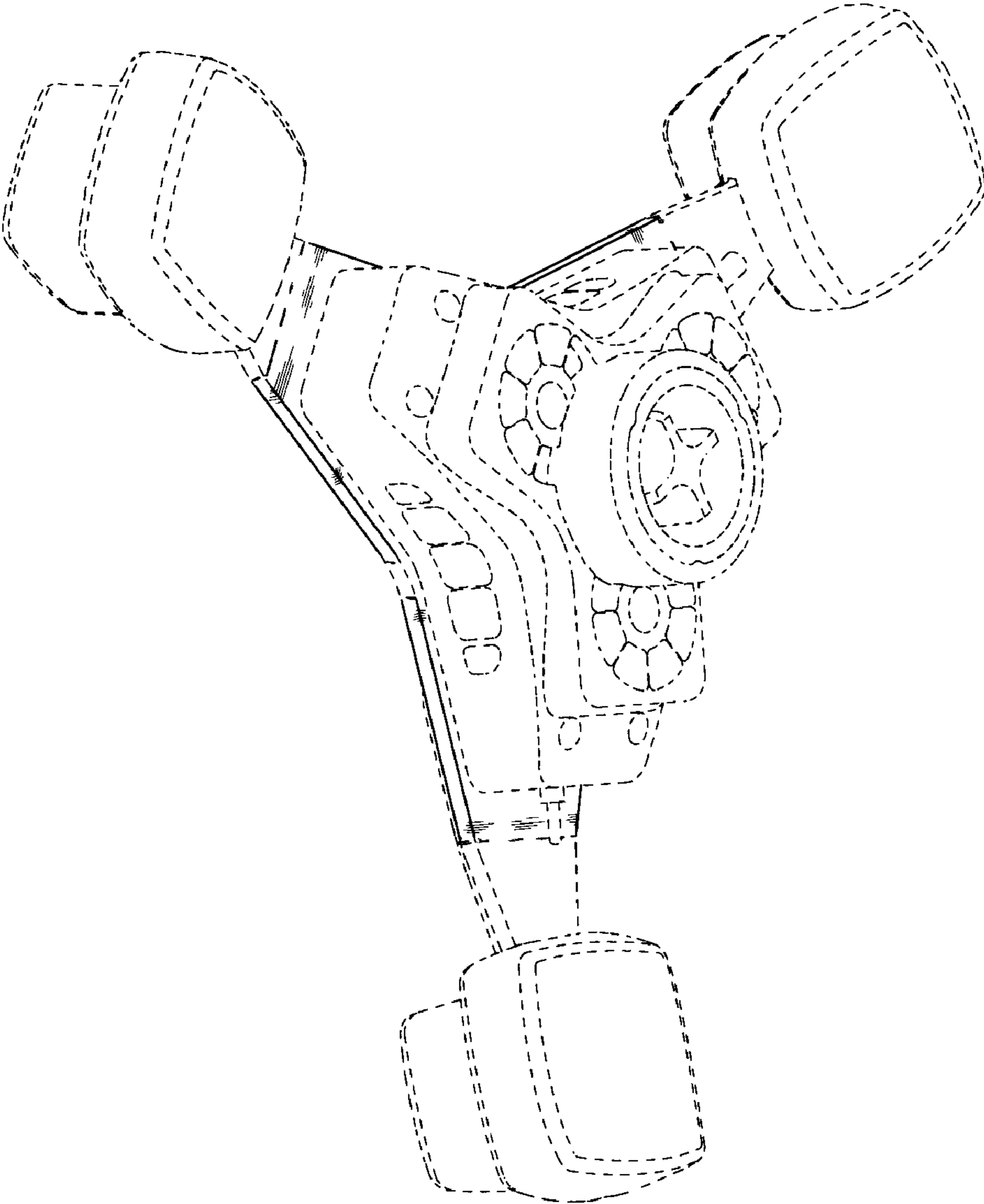
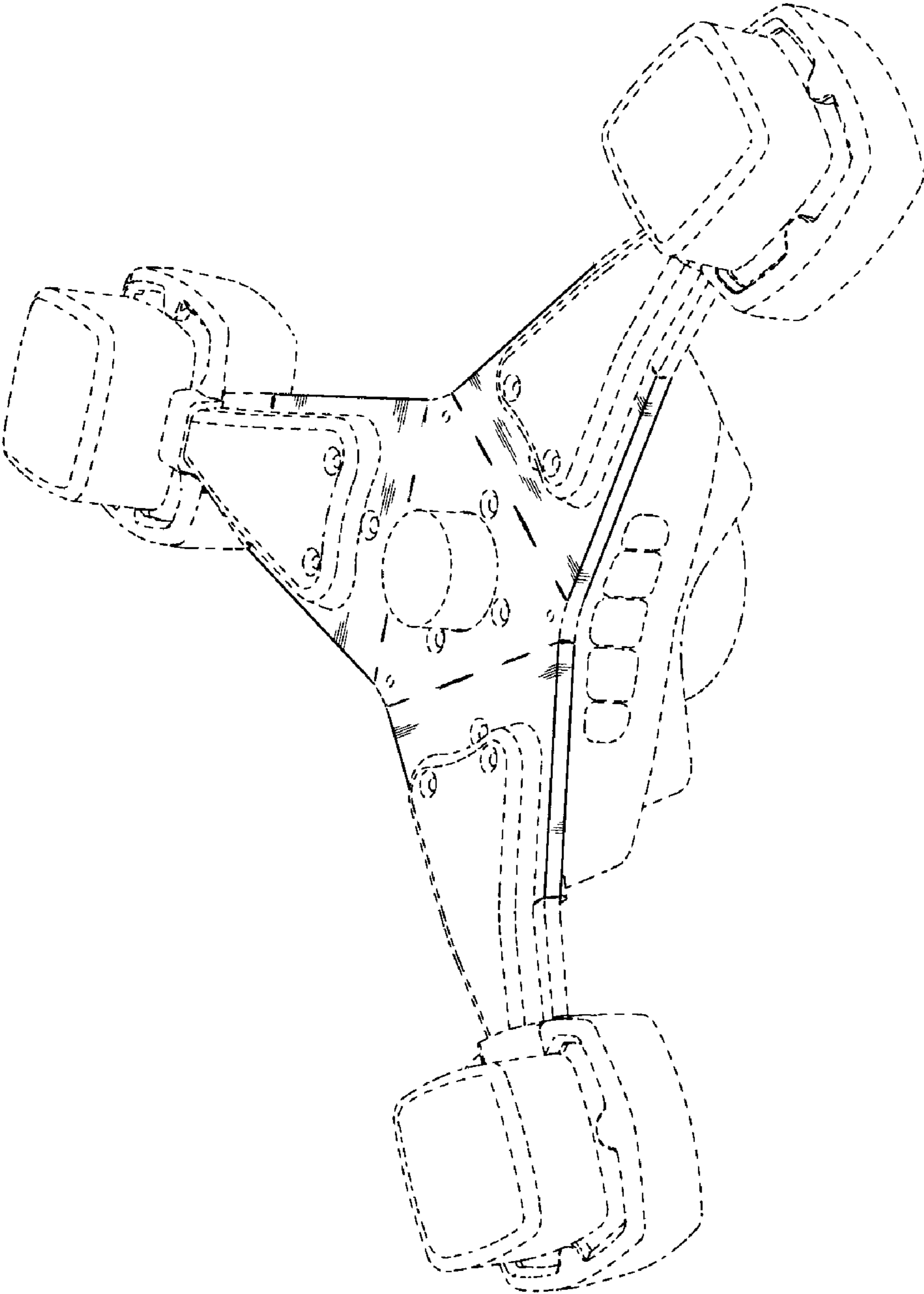


FIG. 2



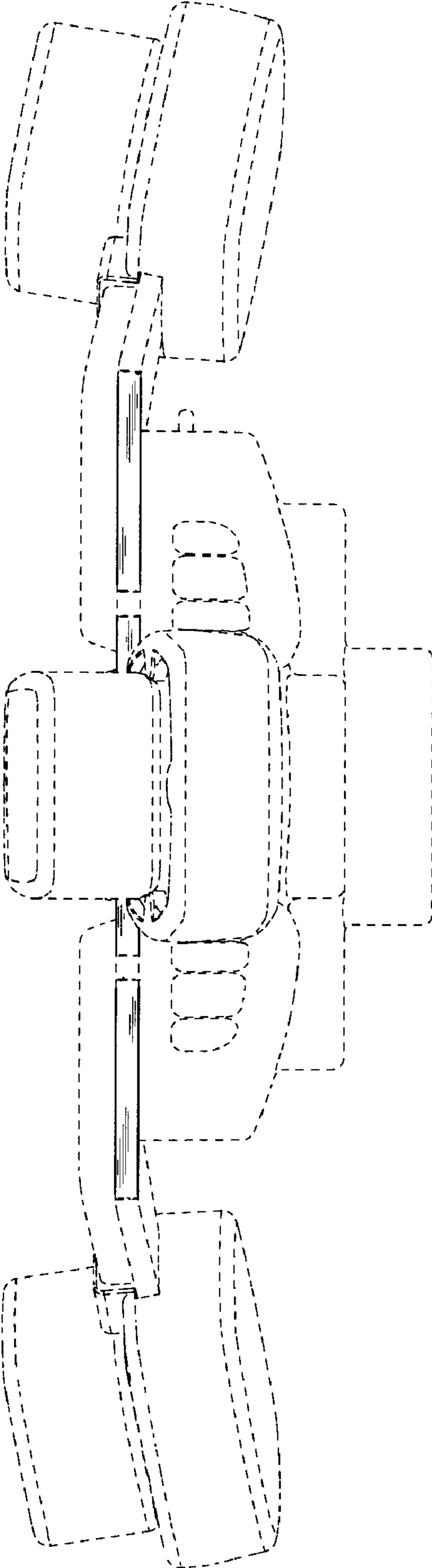


FIG. 3

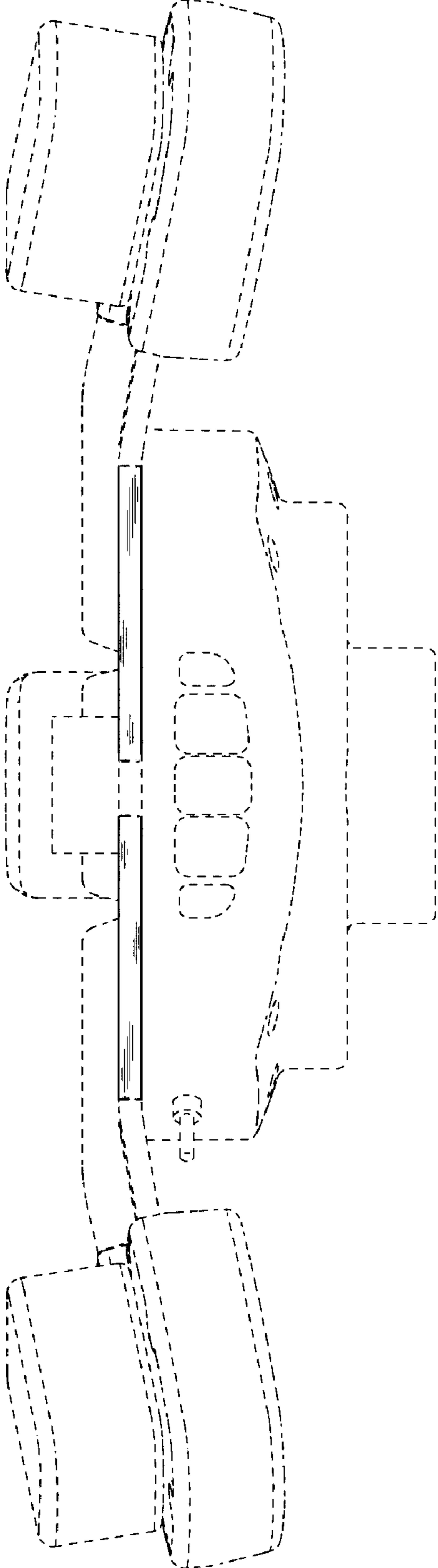


FIG. 4

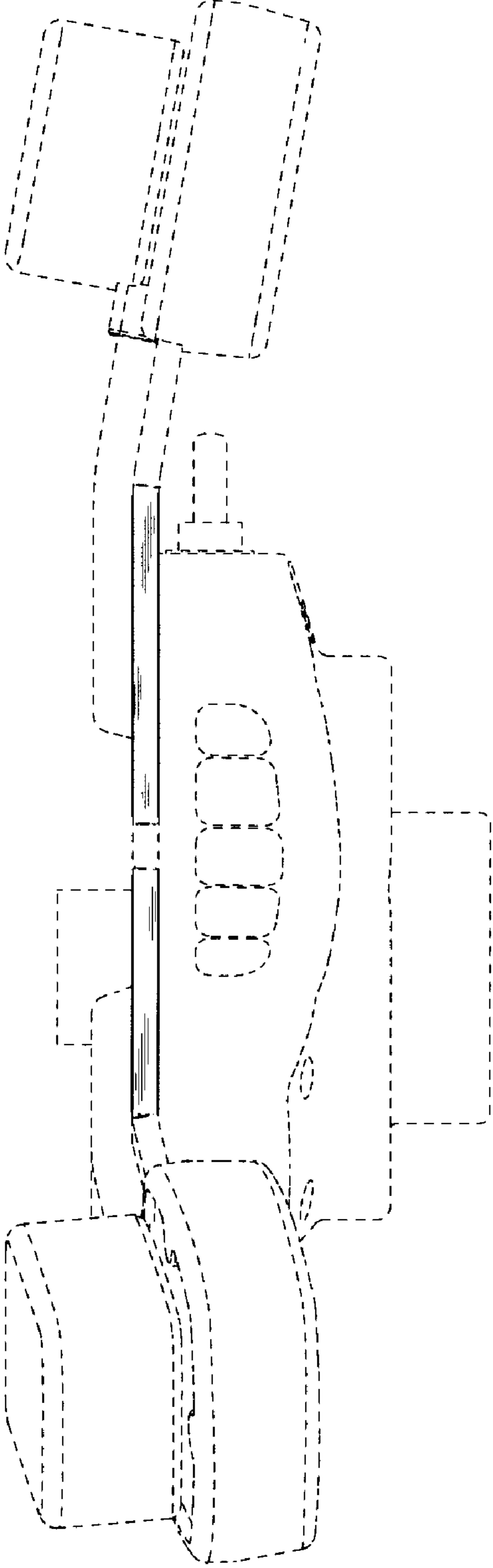


FIG. 5

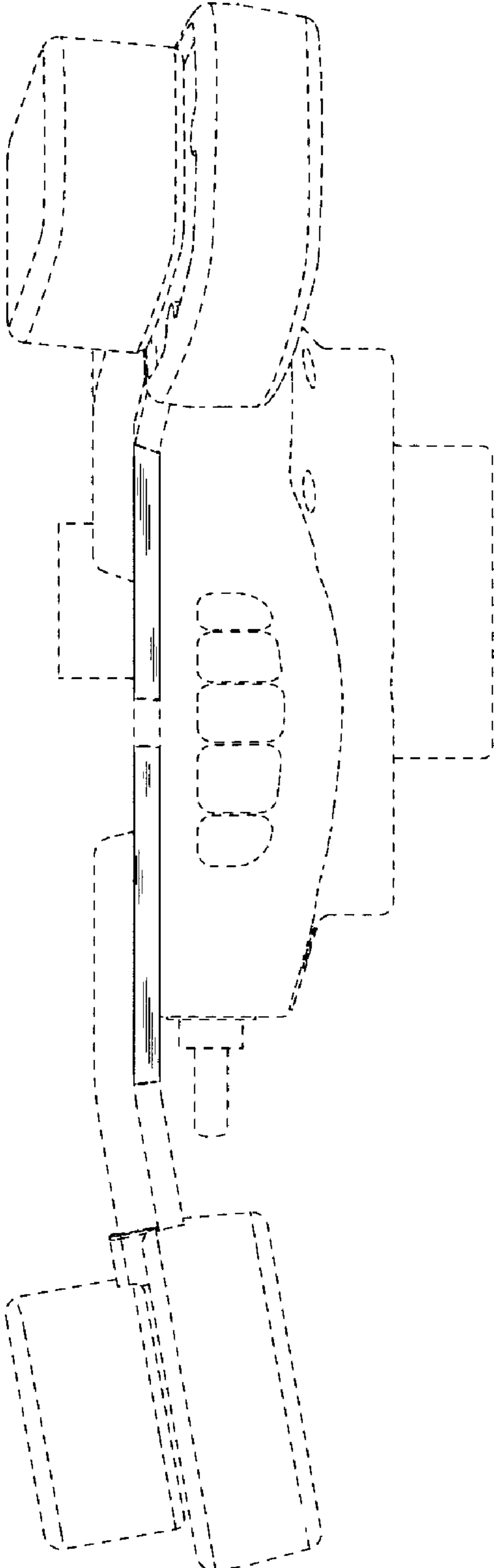


FIG. 6

FIG. 7

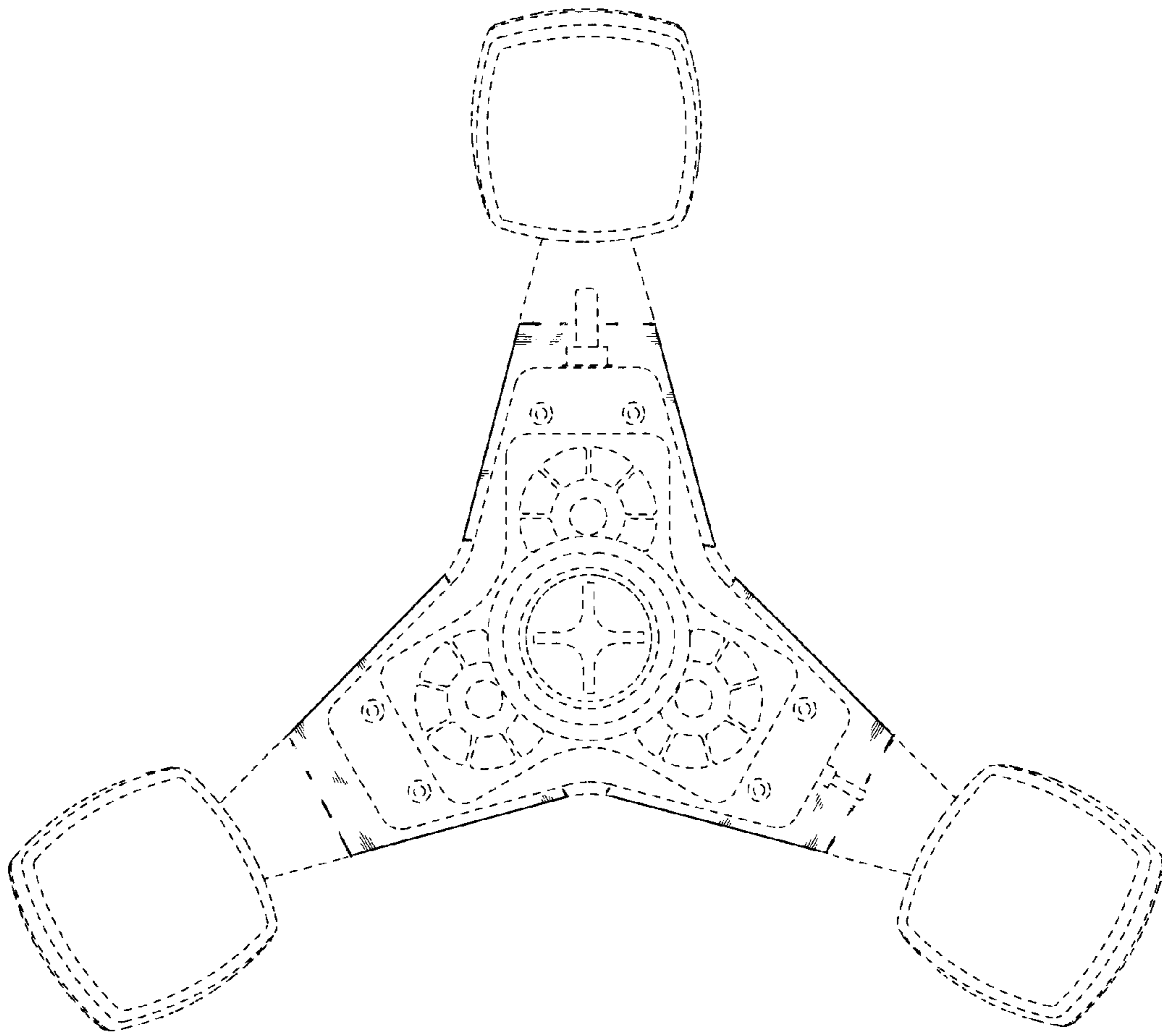


FIG. 8

