



US00D579602S

(12) **United States Design Patent**
Götz-Schäfer

(10) **Patent No.:** **US D579,602 S**

(45) **Date of Patent:** **** Oct. 28, 2008**

(54) **LIGHTING FIXTURE**

(75) Inventor: **Katharina Götz-Schäfer**, Bad Salzuflen (DE)

(73) Assignee: **Zumtobel Lighting GmbH & Co. KG**, Lemgo (DE)

(**) Term: **14 Years**

(21) Appl. No.: **29/295,018**

(22) Filed: **Sep. 20, 2007**

(30) **Foreign Application Priority Data**

Mar. 21, 2007 (EM) 000691969

(51) **LOC (8) Cl.** **26-03**

(52) **U.S. Cl.** **D26/86; D26/118**

(58) **Field of Classification Search** D26/72,
D26/85, 88-91, 118, 128, 131, 135, 137,
D26/86; 362/147, 404, 407, 351, 360
See application file for complete search history.

(56) **References Cited**

U.S. PATENT DOCUMENTS

1,587,152	A *	6/1926	Frick	362/360
D89,566	S *	4/1933	Framberg	D26/86
D97,996	S *	12/1935	Glatthar et al.	D26/86
2,043,193	A *	6/1936	Klein et al.	362/355
D102,526	S *	12/1936	Stutz	D26/131
D102,544	S *	12/1936	Butterworth	D26/131
D106,835	S *	11/1937	Stewart	D26/102
D110,505	S *	7/1938	Stewart	D26/86
D110,977	S *	8/1938	Parlato	D26/24
D114,088	S *	4/1939	Manning	D26/112
D117,075	S *	10/1939	Sacksteder, Jr.	D26/128
D132,865	S *	6/1942	Drollinger	D14/209
D138,326	S *	7/1944	Rambusch	D12/317
D397,482	S *	8/1998	Binsukor	D26/85
D550,391	S *	9/2007	Cesaro	D26/89

* cited by examiner

Primary Examiner—Clare E Heflin

(74) *Attorney, Agent, or Firm*—Marshall, Gerstein & Borun LLP

(57) **CLAIM**

The ornamental design for a lighting fixture, as shown.

DESCRIPTION

FIG. 1 is a side view of a lighting fixture that has the design. All other side views are identical to this view.

FIG. 2 is a bottom perspective view of the lighting fixture.

FIG. 3 is a top perspective view of the lighting fixture.

FIG. 4 is a top view of the lighting fixture.

FIG. 5 is a bottom perspective view of a second embodiment of a lighting fixture that has the design.

FIG. 6 is a top perspective view of the lighting fixture of FIG. 5.

FIG. 7 is a top view of the lighting fixture of FIG. 5.

FIG. 8 is a side view of a lighting fixture of FIG. 5. All other side views are identical to this view.

FIG. 9 is a bottom view of the lighting fixture of FIG. 5.

FIG. 10 is a side view of a third embodiment of a lighting fixture that has the design. All other side views are identical to this view.

FIG. 11 is a bottom perspective view of the lighting fixture of FIG. 10.

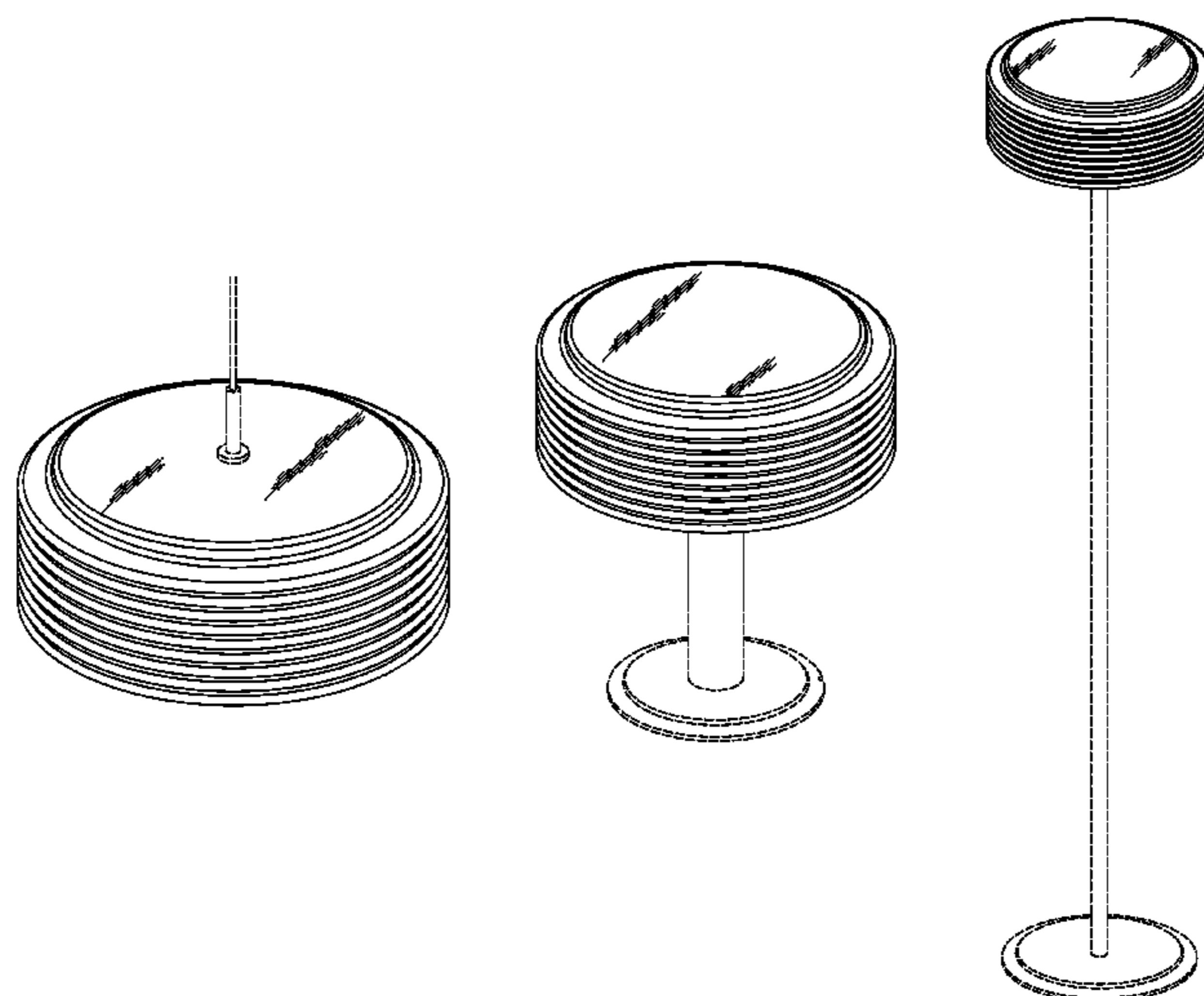
FIG. 12 is a top perspective view of the lighting fixture of FIG. 10.

FIG. 13 is a top view of the lighting fixture of FIG. 10; and,

FIG. 14 is a bottom view of the lighting fixture of FIG. 10.

The broken line showing of a cord and a stand is for the purpose of illustrating portions of the lighting fixture and forms no part of the claimed design.

1 Claim, 6 Drawing Sheets



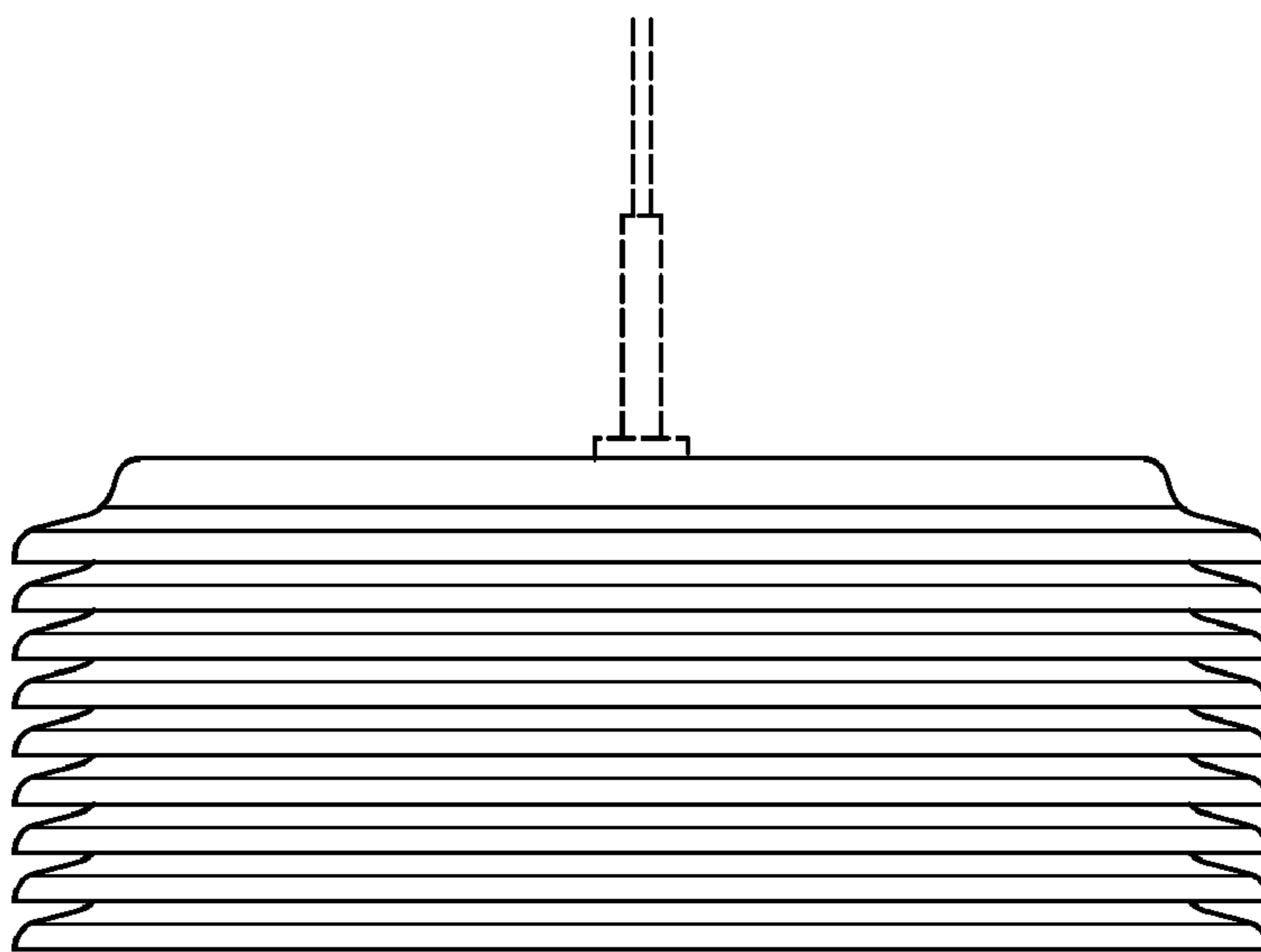


FIG. 1

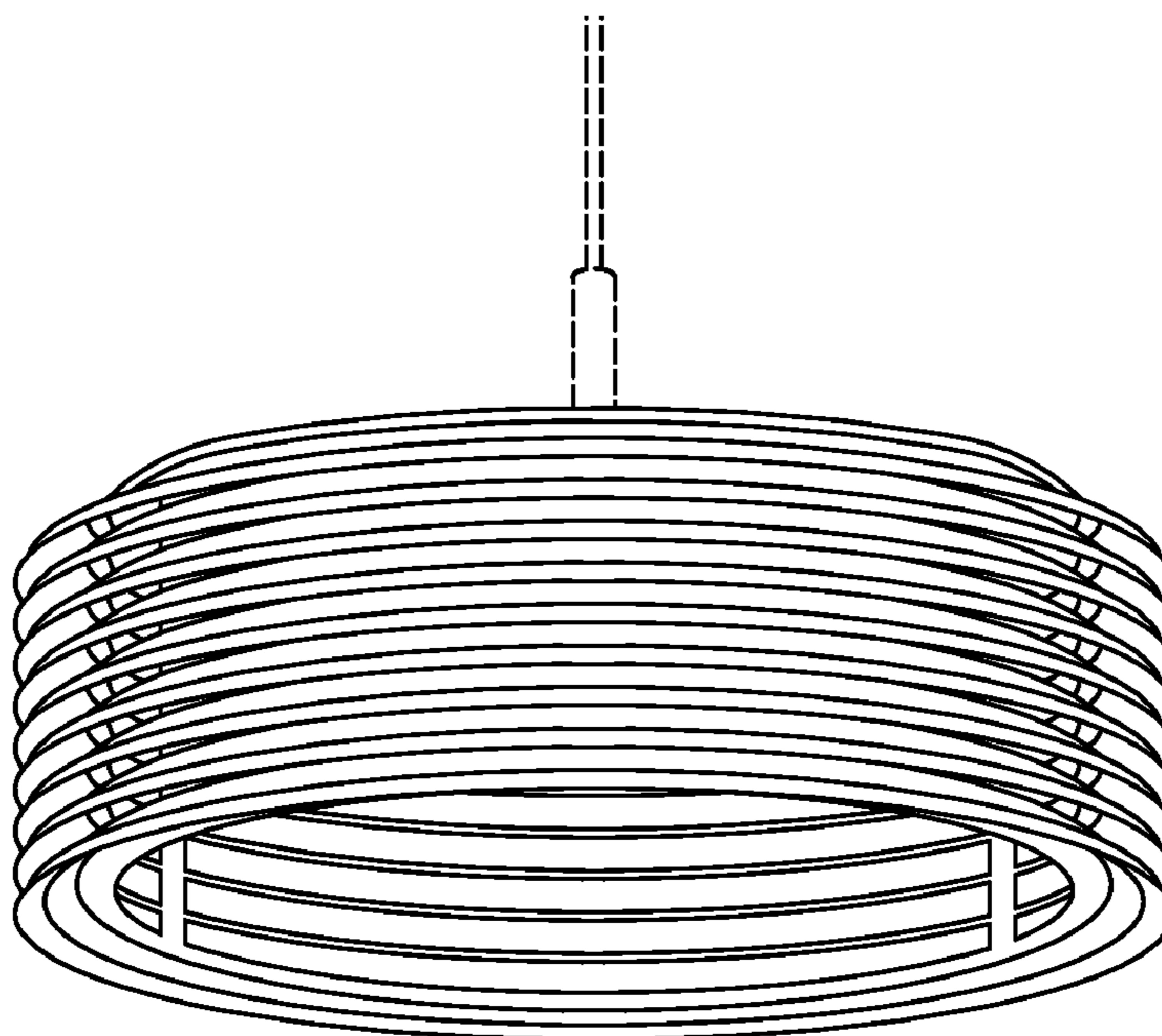


FIG. 2

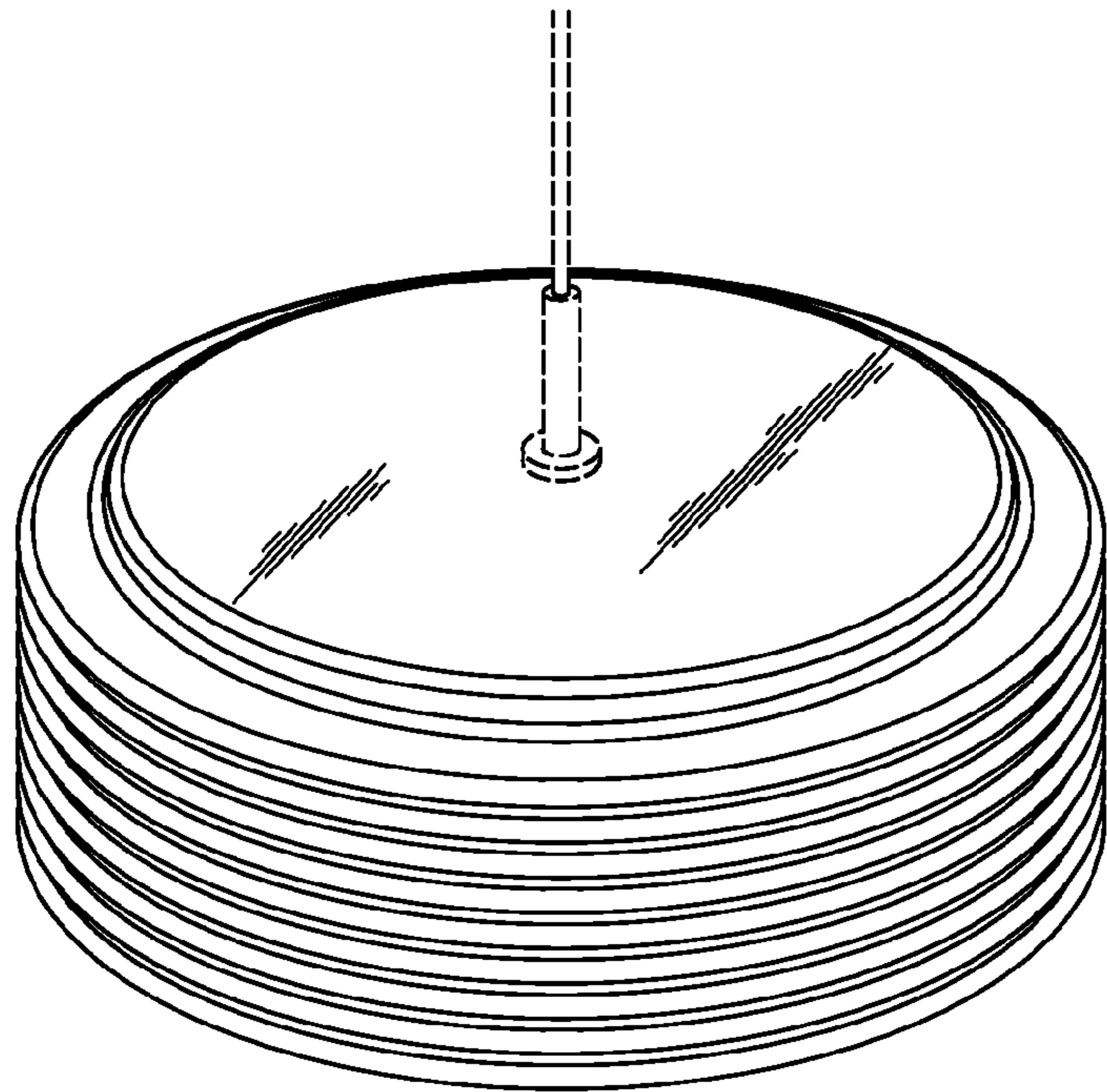


FIG. 3

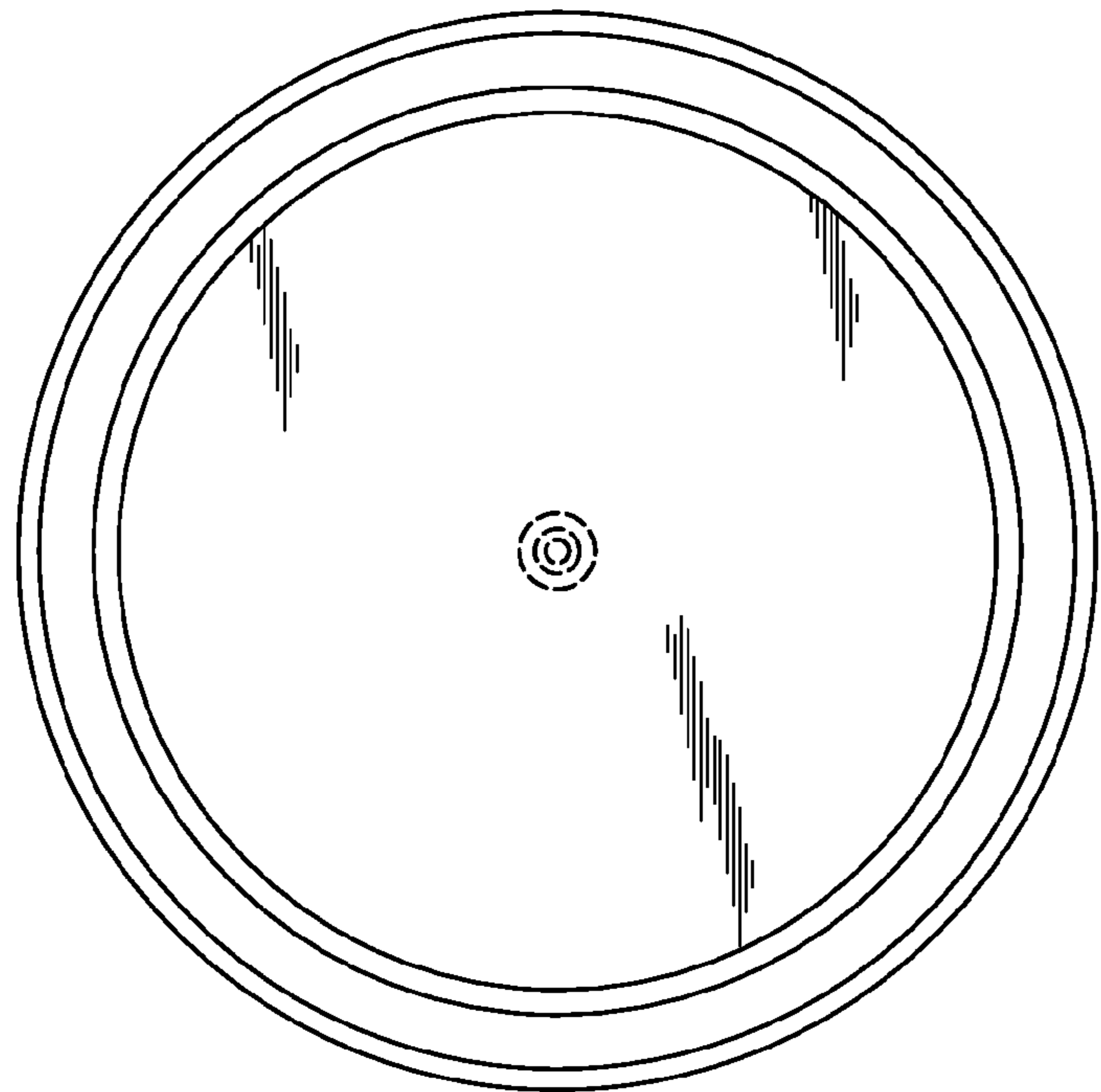


FIG. 4

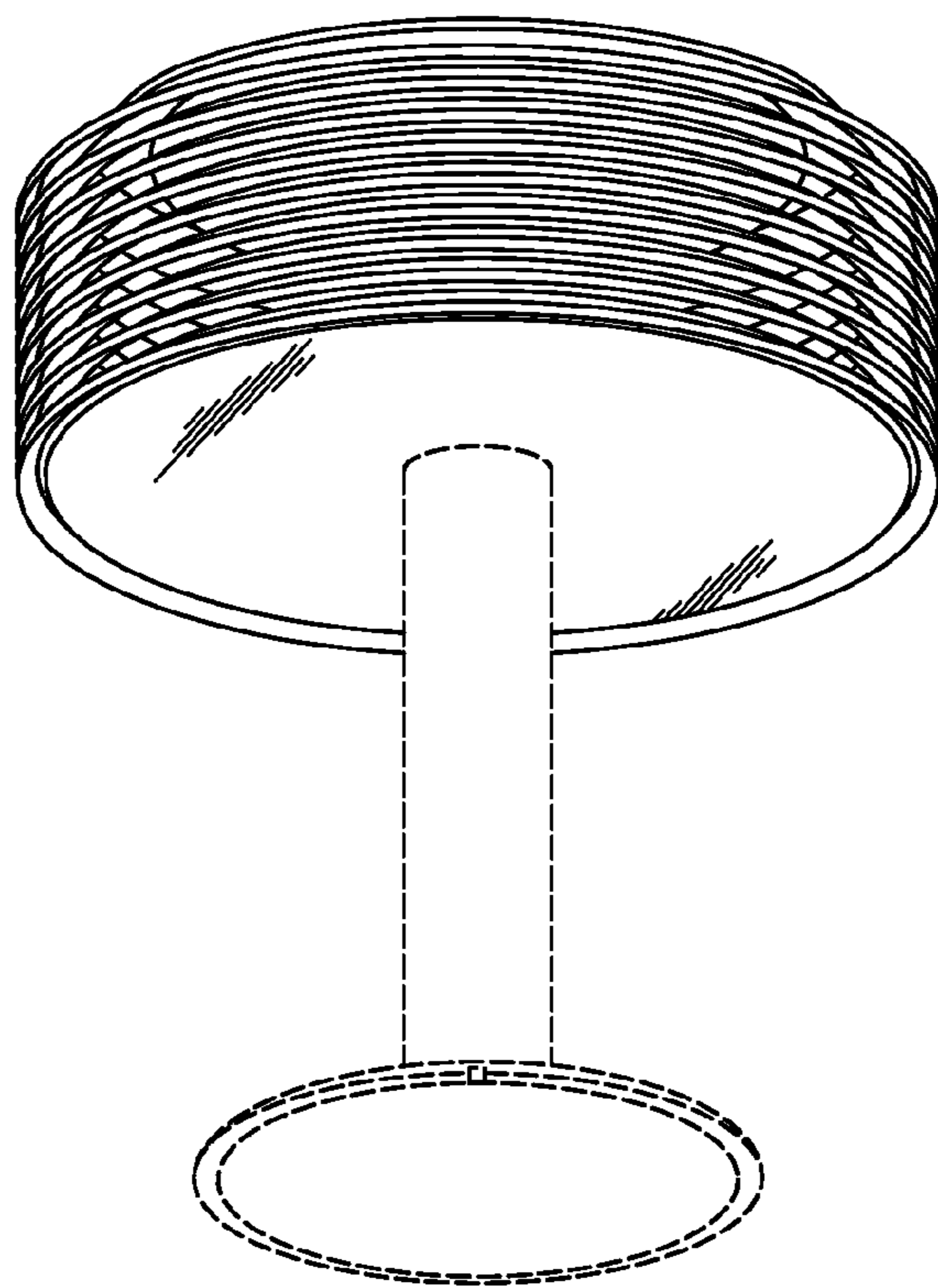


FIG. 5

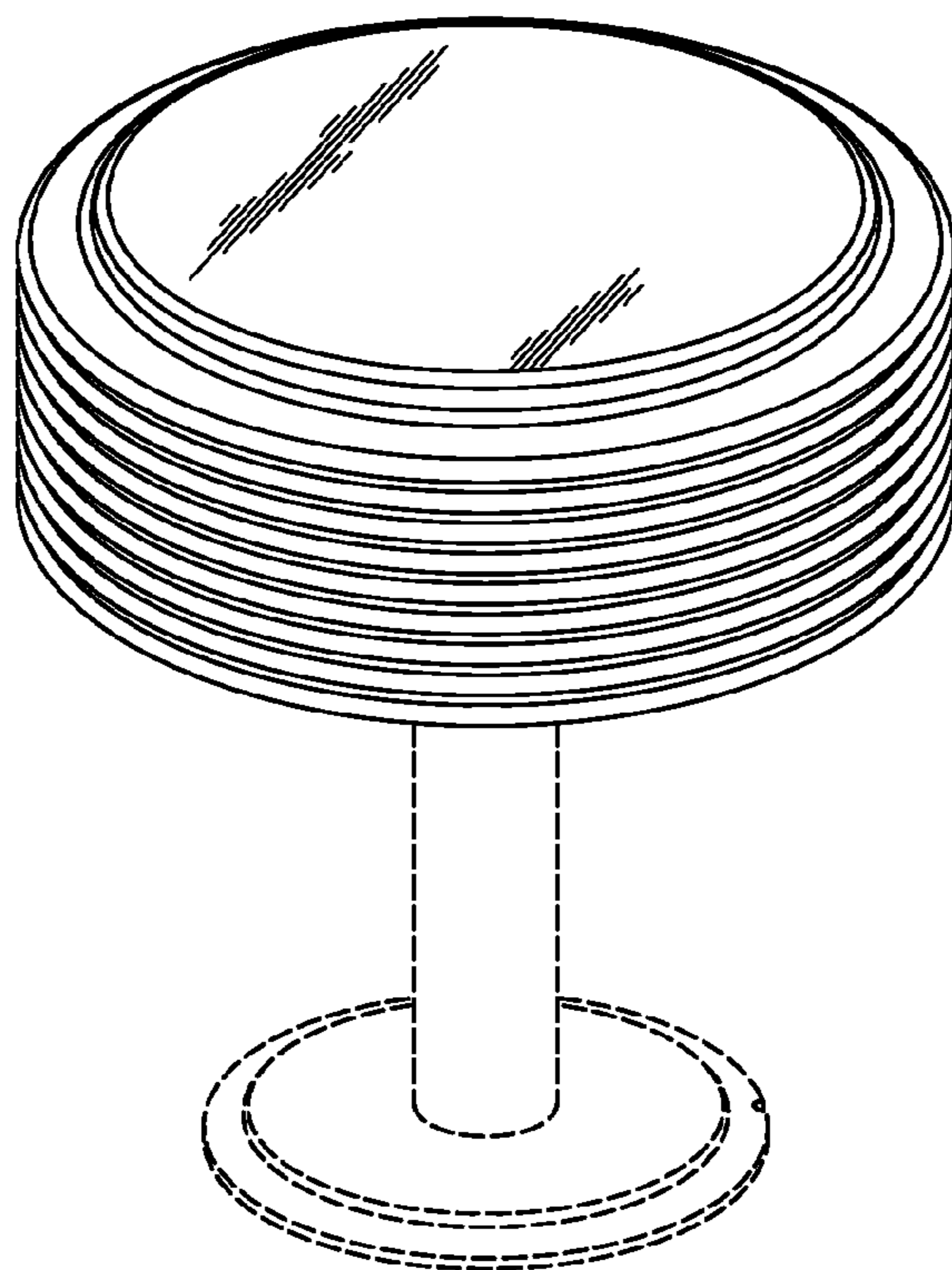


FIG. 6

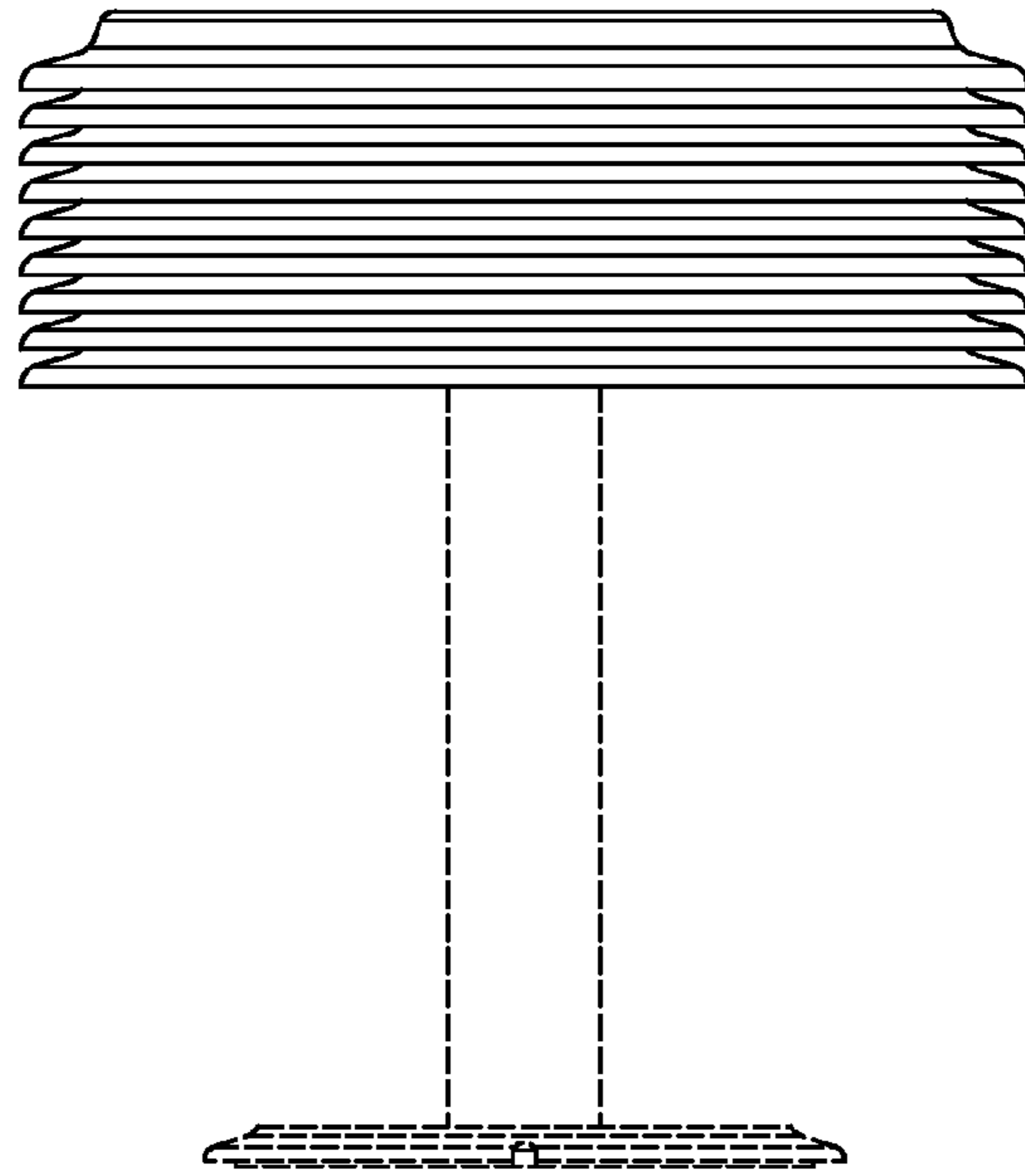


FIG. 8

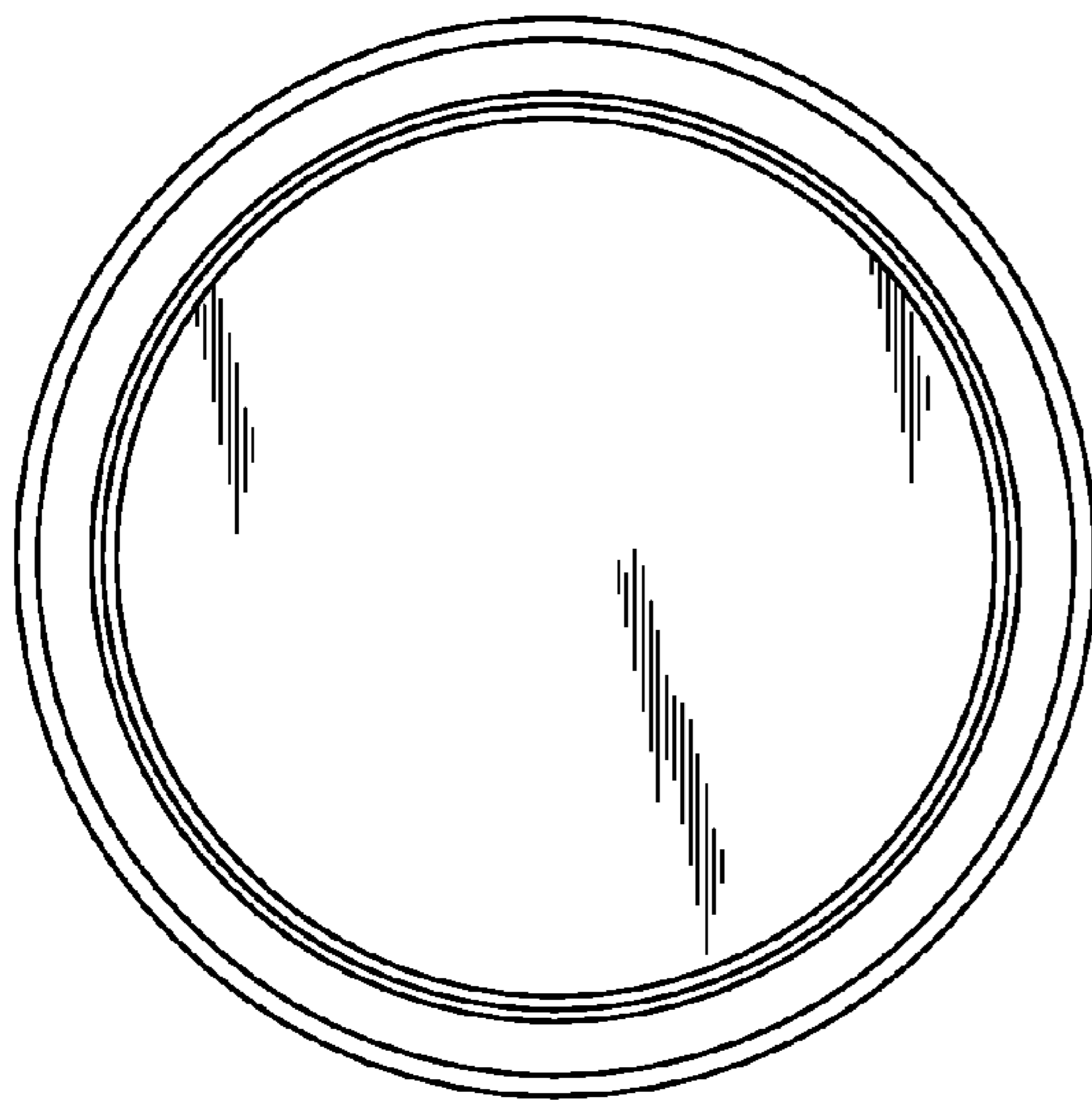


FIG. 7

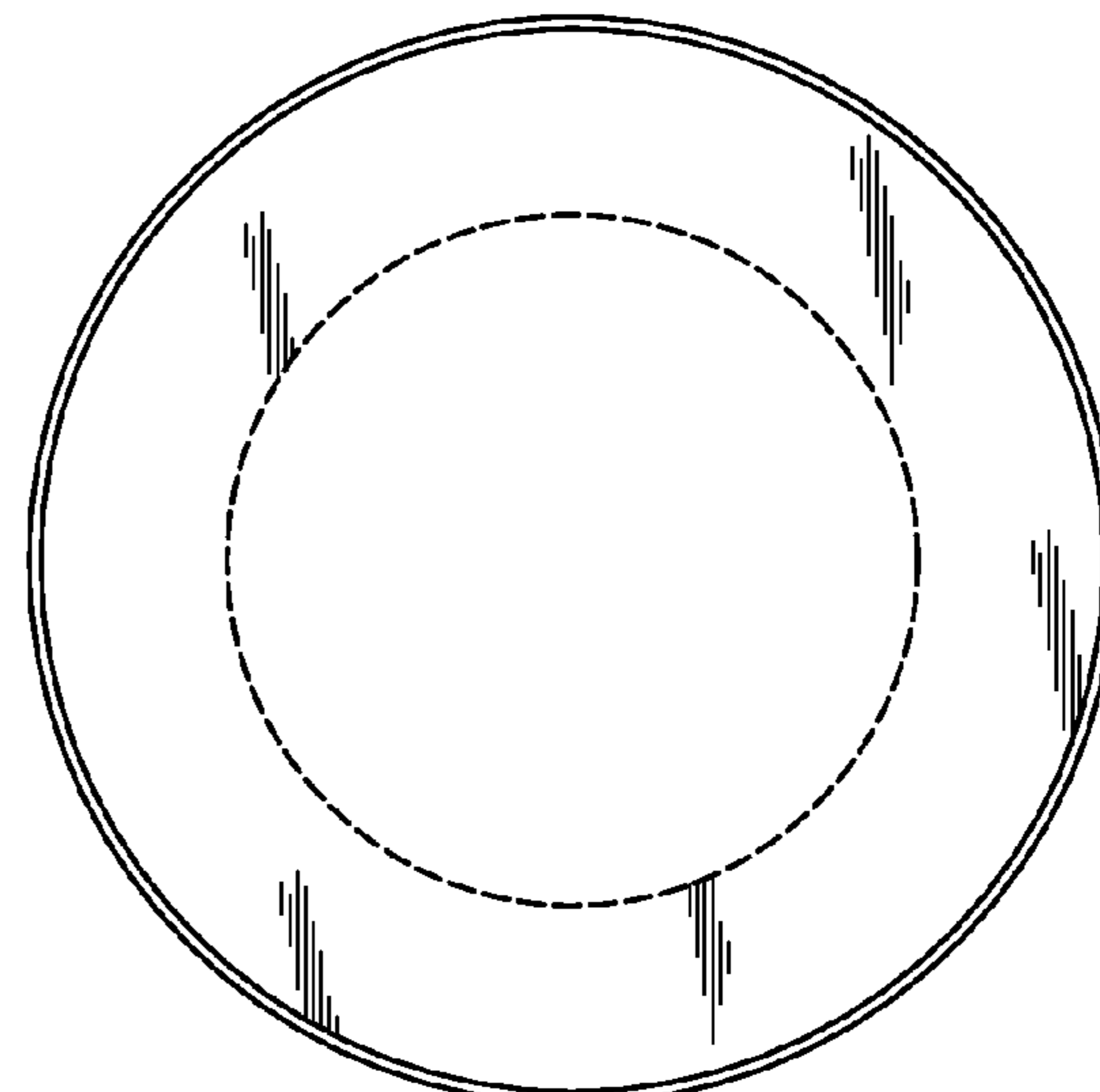


FIG. 9

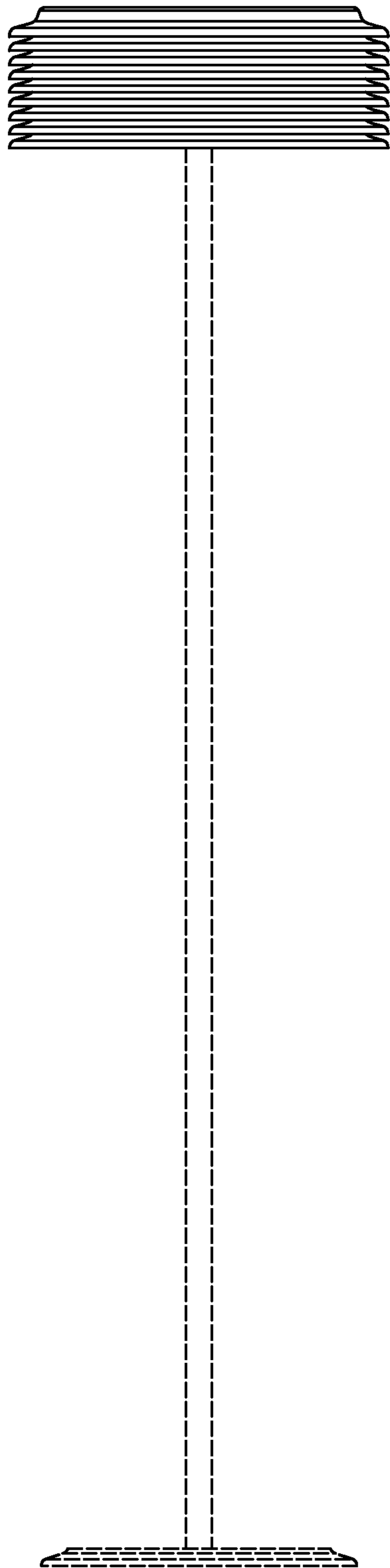


FIG. 10

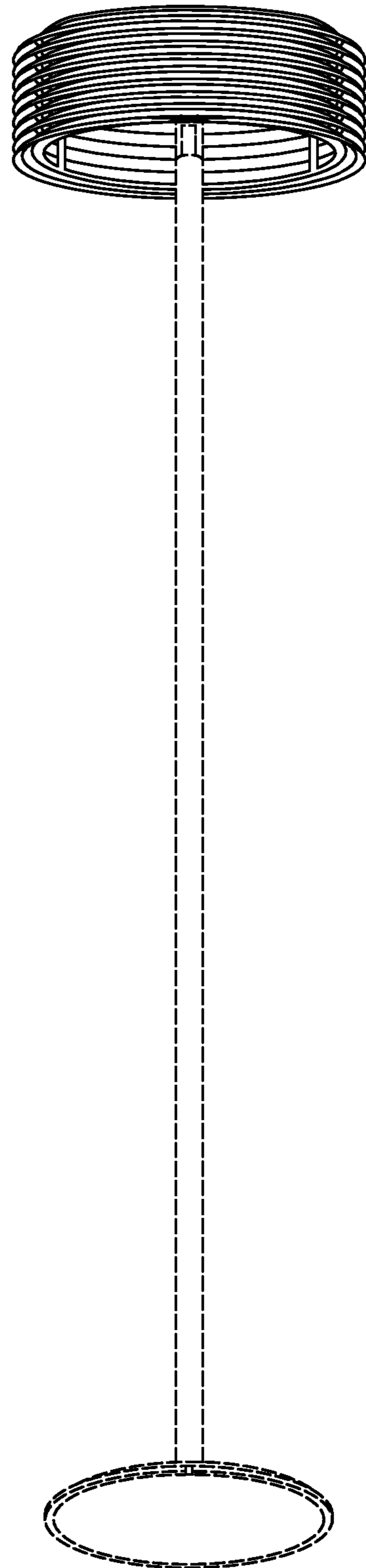


FIG. 11

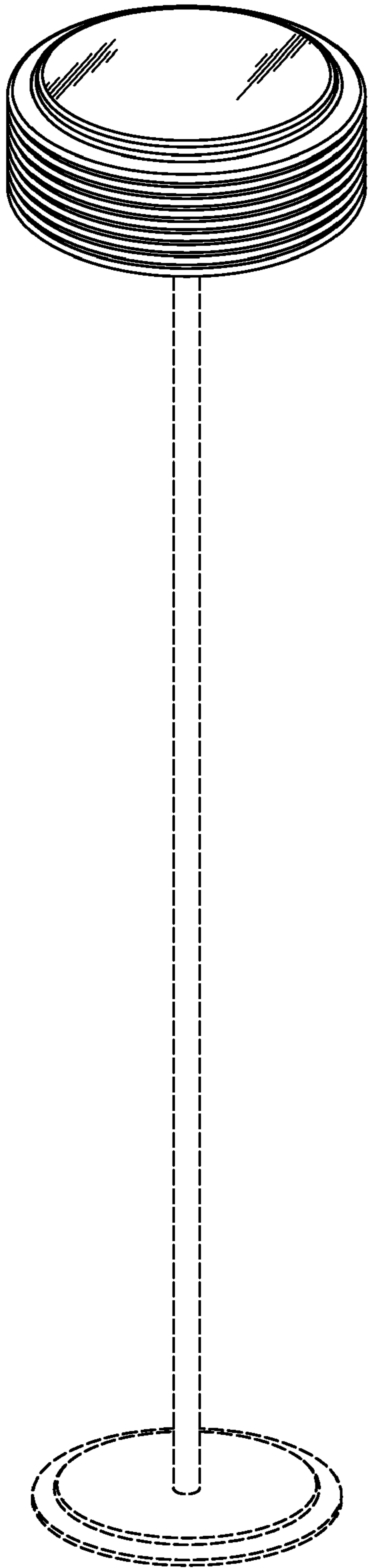


FIG. 12

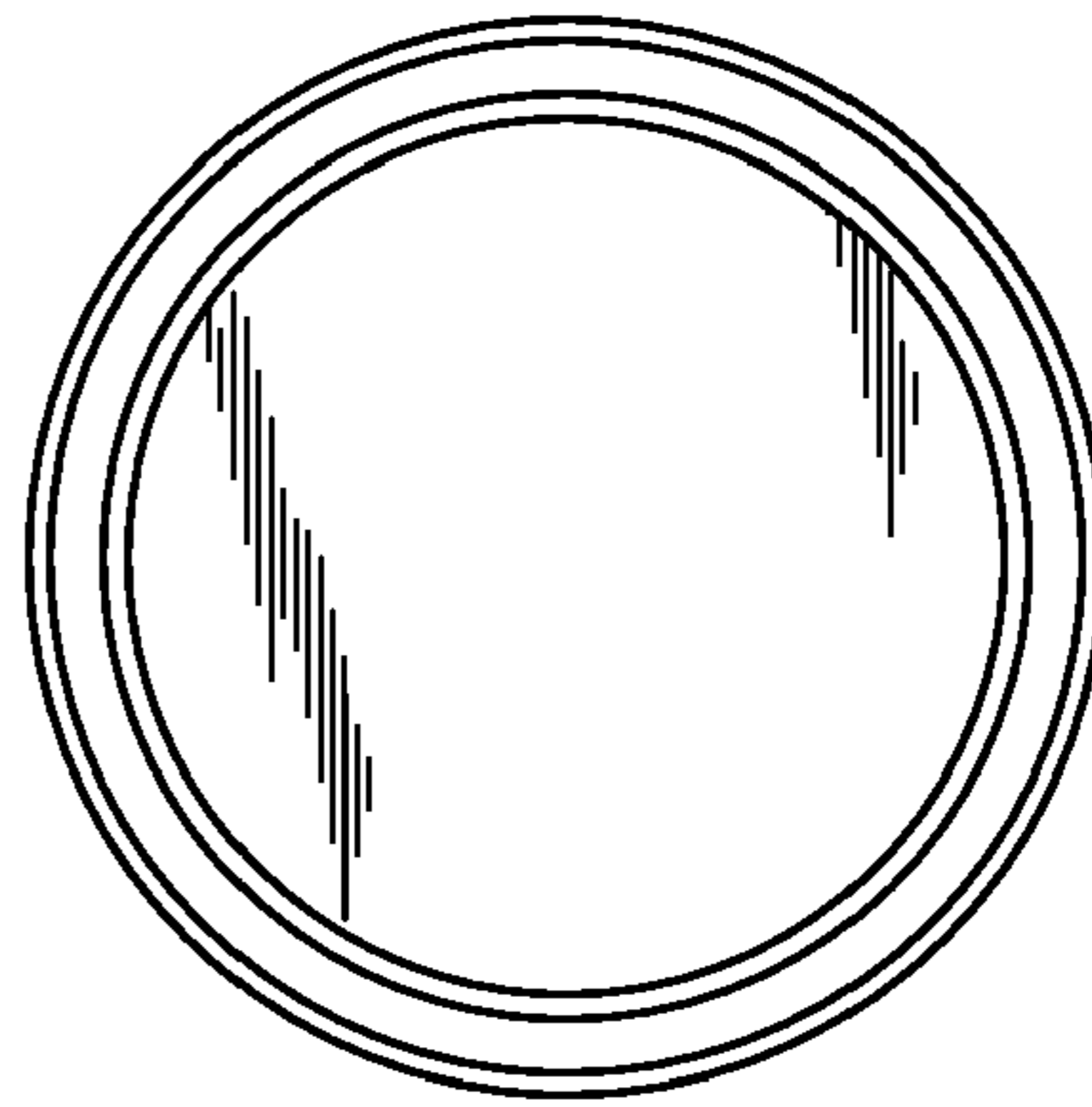


FIG. 13

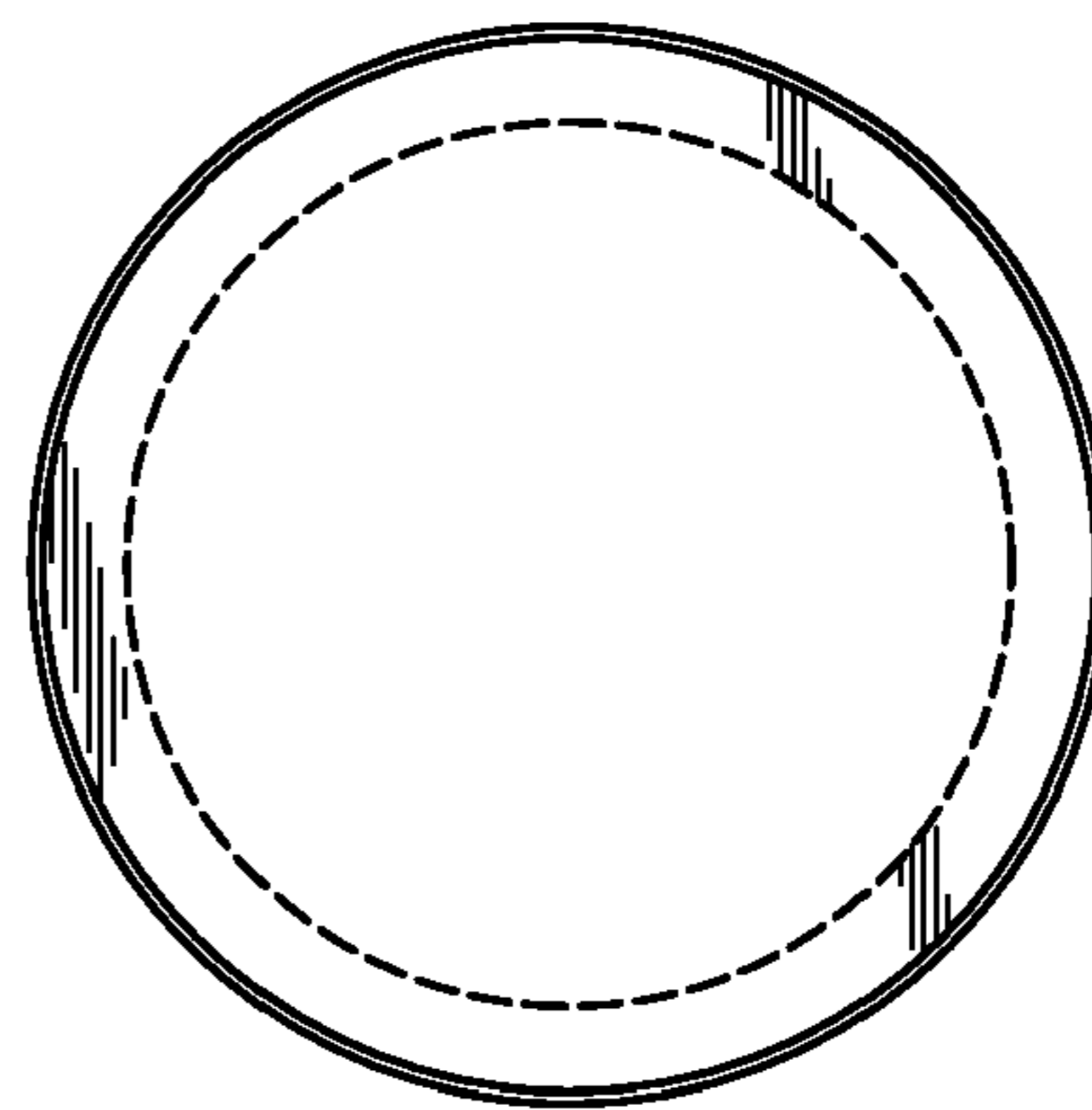


FIG. 14