



US00D579598S

(12) **United States Design Patent**
Santoro

(10) **Patent No.:** **US D579,598 S**
(45) **Date of Patent:** **** Oct. 28, 2008**

(54) **LUMINAIRE**

(75) Inventor: **Scott R. Santoro**, Delta (CA)

(73) Assignee: **Ledalite Architectural Products Inc.**,
British Columbia (CA)

(**) Term: **14 Years**

(21) Appl. No.: **29/295,744**

(22) Filed: **Oct. 5, 2007**

(51) **LOC (8) Cl.** **26-05**

(52) **U.S. Cl.** **D26/76**

(58) **Field of Classification Search** D26/2,
D26/24, 35, 61, 7, 72, 74-79, 81-92, 118,
D26/122; 362/147, 217-225, 132, 260-263,
362/267, 283, 337, 347, 364; 43/113; D23/372,
D23/328, 385; D14/209; 52/98

See application file for complete search history.

(56) **References Cited**

U.S. PATENT DOCUMENTS

432,394 A	7/1890	Fletcher	
2,732,484 A	1/1956	Lipscomb	
2,886,699 A	5/1959	Harling	
D190,596 S *	6/1961	Franck et al.	D26/76
D192,607 S *	4/1962	Cooke	D26/76
D192,608 S *	4/1962	Cooke	D26/76
D212,899 S *	12/1968	Vesely et al.	D26/24
D215,340 S	9/1969	Wince	
D285,357 S *	8/1986	Pritchett	D26/61
4,816,969 A	3/1989	Miller	
D304,862 S	11/1989	DiCola	
D306,772 S	3/1990	DeArmond	
D331,119 S	11/1992	Hagebo	
D344,362 S	2/1994	Engle	
D344,363 S	2/1994	Engle	
D344,364 S	2/1994	Engle	
D348,533 S *	7/1994	Herst et al.	D26/85
D385,379 S	10/1997	Tillotson	
D386,278 S	11/1997	Engle et al.	
D397,486 S	8/1998	Engle et al.	
D407,473 S *	3/1999	Wimbock	D23/328

D415,304 S	10/1999	Brown	
5,988,829 A *	11/1999	Holder	362/217
5,988,836 A *	11/1999	Swarens	362/364
6,042,243 A *	3/2000	Grill et al.	362/125
D430,688 S	9/2000	Plunk	
D441,117 S *	4/2001	Grimm	D26/76
D463,058 S	9/2002	Nourishad	
D464,161 S	10/2002	Nourishad	
D464,162 S	10/2002	Segretto	
6,523,974 B2 *	2/2003	Engel	362/224
D477,891 S *	7/2003	Fritze et al.	D26/74
D485,932 S	1/2004	Crane	
D486,262 S *	2/2004	Chen	D26/77
D496,121 S	9/2004	Santoro	
D520,173 S	5/2006	Plunk	
D545,482 S *	6/2007	Mayfield et al.	D26/118
D556,358 S *	11/2007	Santoro	D26/74
2007/0206376 A1 *	9/2007	Lippis et al.	362/147

* cited by examiner

Primary Examiner—Robert M. Spear

Assistant Examiner—Susan E Krakower

(74) *Attorney, Agent, or Firm*—John F. Salazar; Middleton & Reutlinger

(57) **CLAIM**

The ornamental design for a luminaire, as shown and described.

DESCRIPTION

FIG. 1 is a perspective view of the luminaire of the present invention;

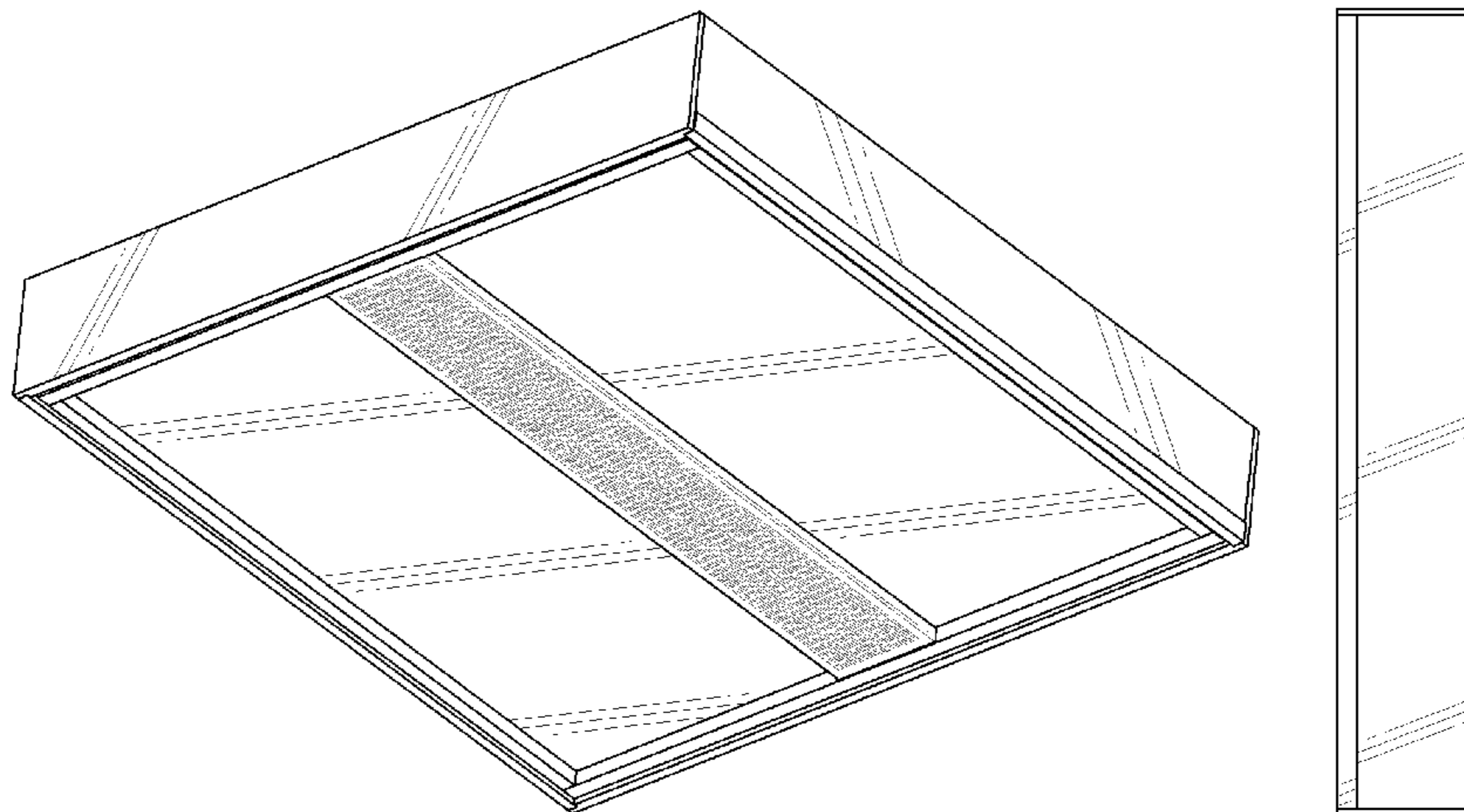
FIG. 2 is the front view of the design of the present invention;

FIG. 3 is the bottom view of the design of the present invention; and,

FIG. 4 is a side view of the design of the present invention.

The top view is omitted, as it forms no portion of the claimed design. The oblique shading on the housing body represents a shiny metallic surface, and the oblique shading on the light diffuser represents a translucent material.

1 Claim, 2 Drawing Sheets



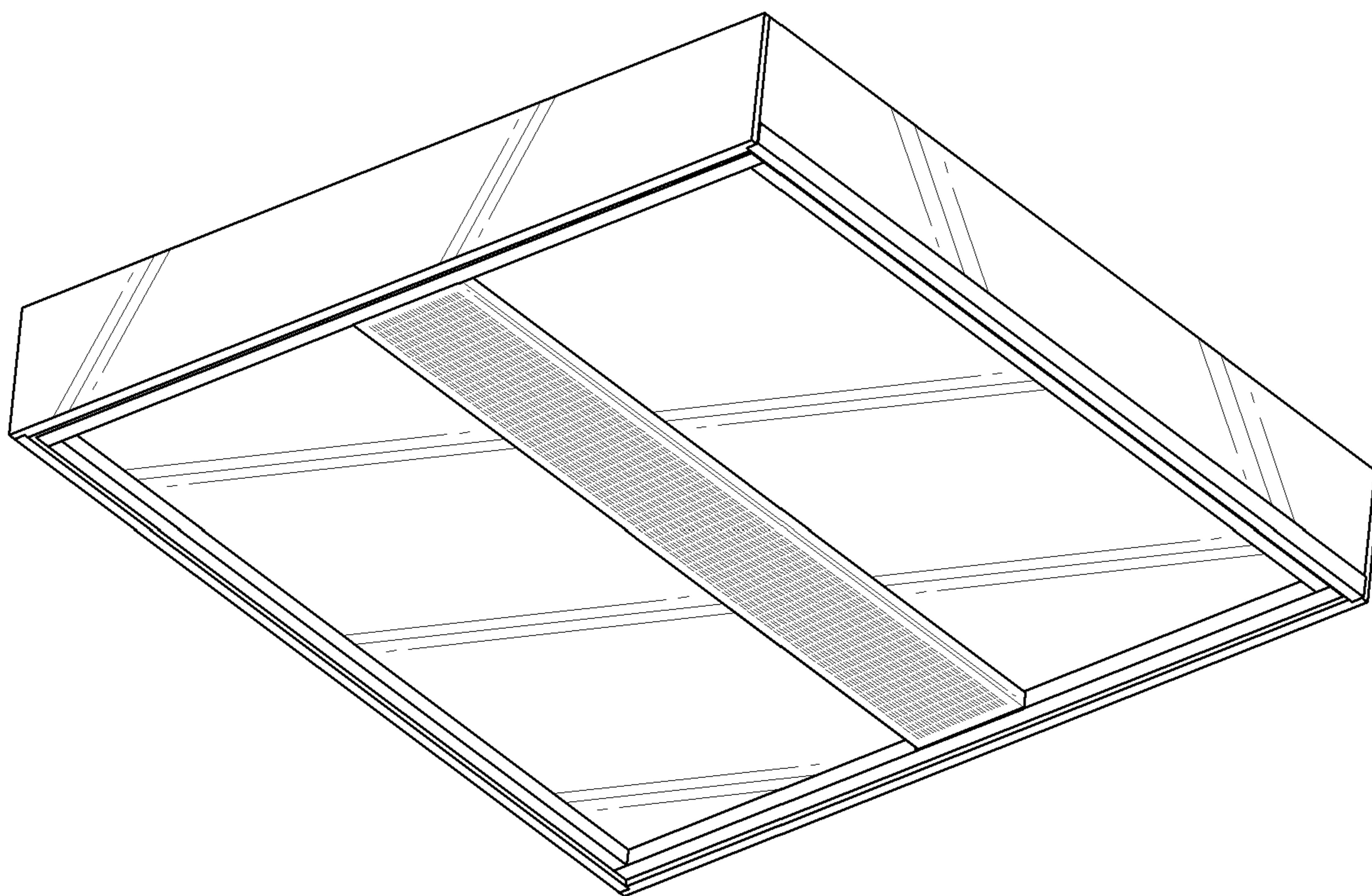


FIG. 1

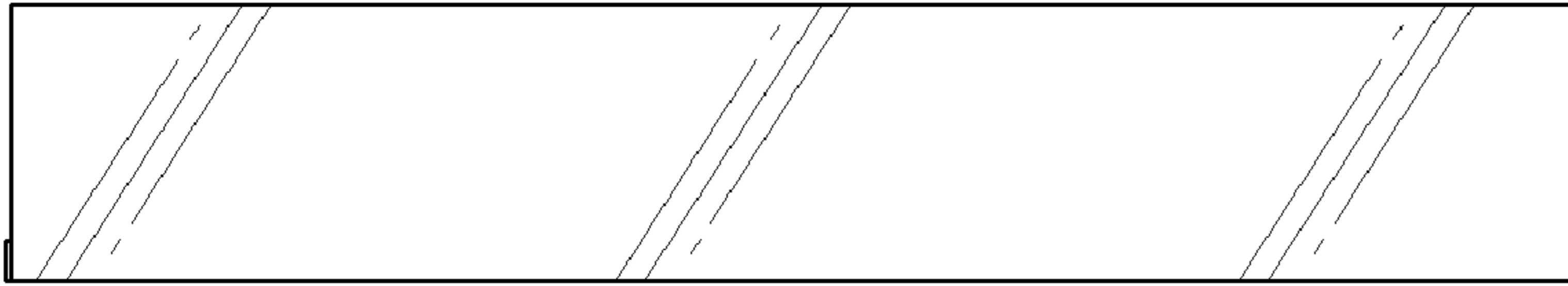


FIG. 2

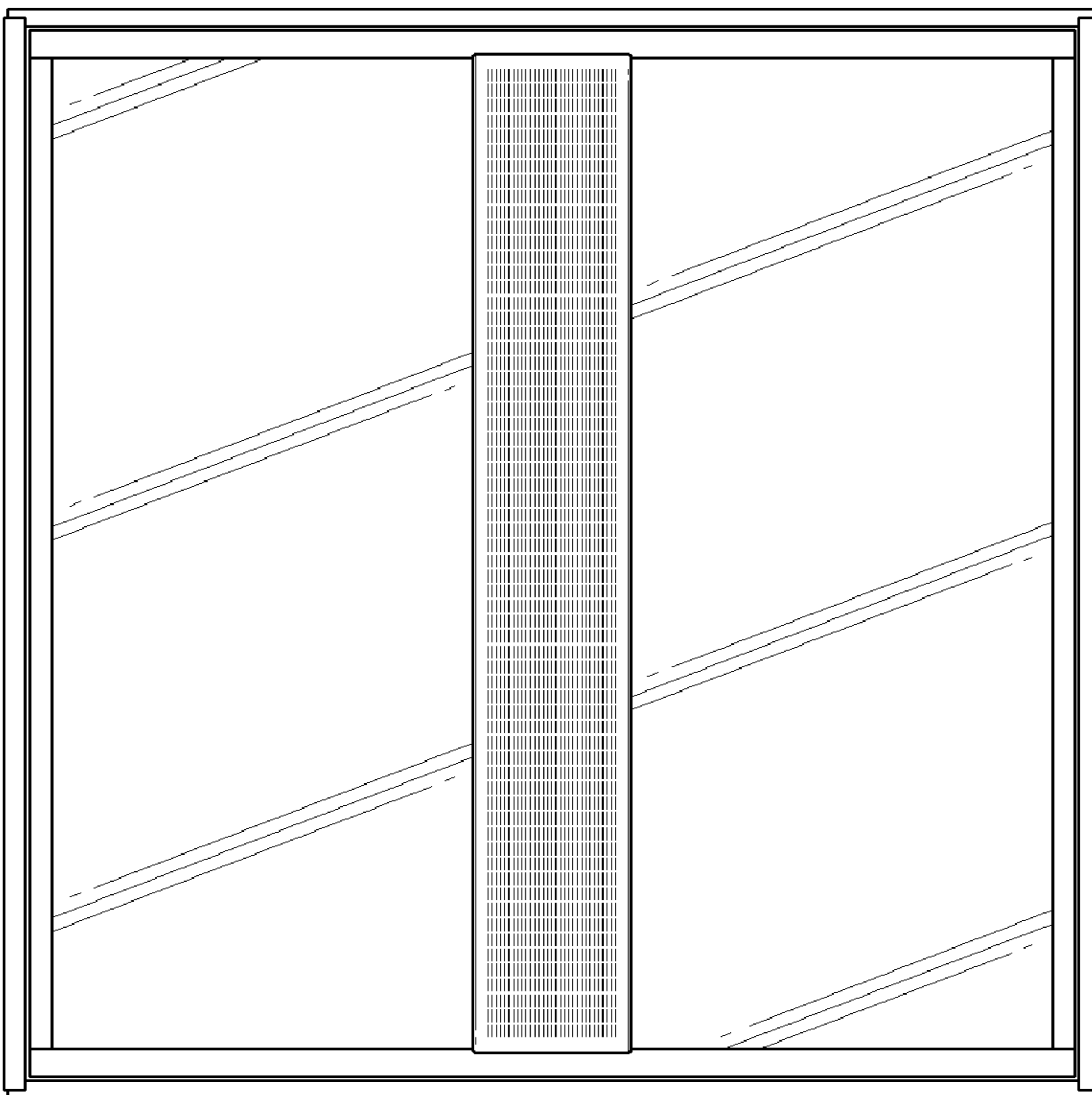


FIG. 3

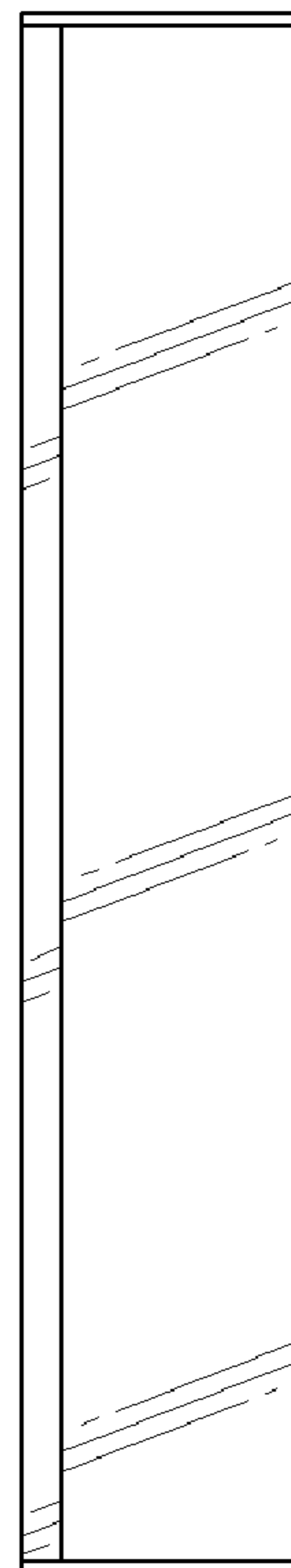


FIG. 4