



US00D579597S

(12) **United States Design Patent**  
**Ng**

(10) **Patent No.:** **US D579,597 S**  
(45) **Date of Patent:** **\*\* Oct. 28, 2008**

(54) **SLIM ADJUSTABLE LED LAMP**

(76) Inventor: **Kenneth Yat Chung Ng**, 380 S. Sierra  
Madre Blvd., #4, Pasadena, CA (US)  
91107

(\*\*) Term: **14 Years**

(21) Appl. No.: **29/237,098**

(22) Filed: **Aug. 27, 2005**

(51) **LOC (8) Cl.** ..... **26-05**

(52) **U.S. Cl.** ..... **D26/61**

(58) **Field of Classification Search** ..... D26/43,  
D26/51, 56, 60-65, 93, 107, 118; 362/269,  
362/270, 275, 277, 278, 281, 282, 283, 284,  
362/285, 287, 288, 289, 400, 401, 402, 410,  
362/413, 418-430, 423, 449

See application file for complete search history.

(56) **References Cited**

**U.S. PATENT DOCUMENTS**

- 4,432,045 A \* 2/1984 Merritt ..... 362/375
- D310,886 S \* 9/1990 Gismondi et al. .... D26/65
- 5,016,153 A \* 5/1991 Gismondi et al. .... 362/402
- D326,535 S \* 5/1992 Hsia ..... D26/65
- D330,776 S \* 11/1992 Cvek ..... D26/65
- D392,404 S \* 3/1998 Brown ..... D26/62

- 5,732,920 A \* 3/1998 Reynoso et al. .... 248/278.1
- D448,879 S \* 10/2001 Wang ..... D26/65
- D472,659 S \* 4/2003 Wang ..... D26/63
- 6,663,266 B2 \* 12/2003 Huang ..... 362/402
- D504,188 S \* 4/2005 Chan ..... D26/66
- D523,164 S \* 6/2006 Ng ..... D26/65
- D531,342 S \* 10/2006 Kauffman et al. .... D26/68

\* cited by examiner

*Primary Examiner*—Cathron Brooks  
*Assistant Examiner*—Barbara Fox

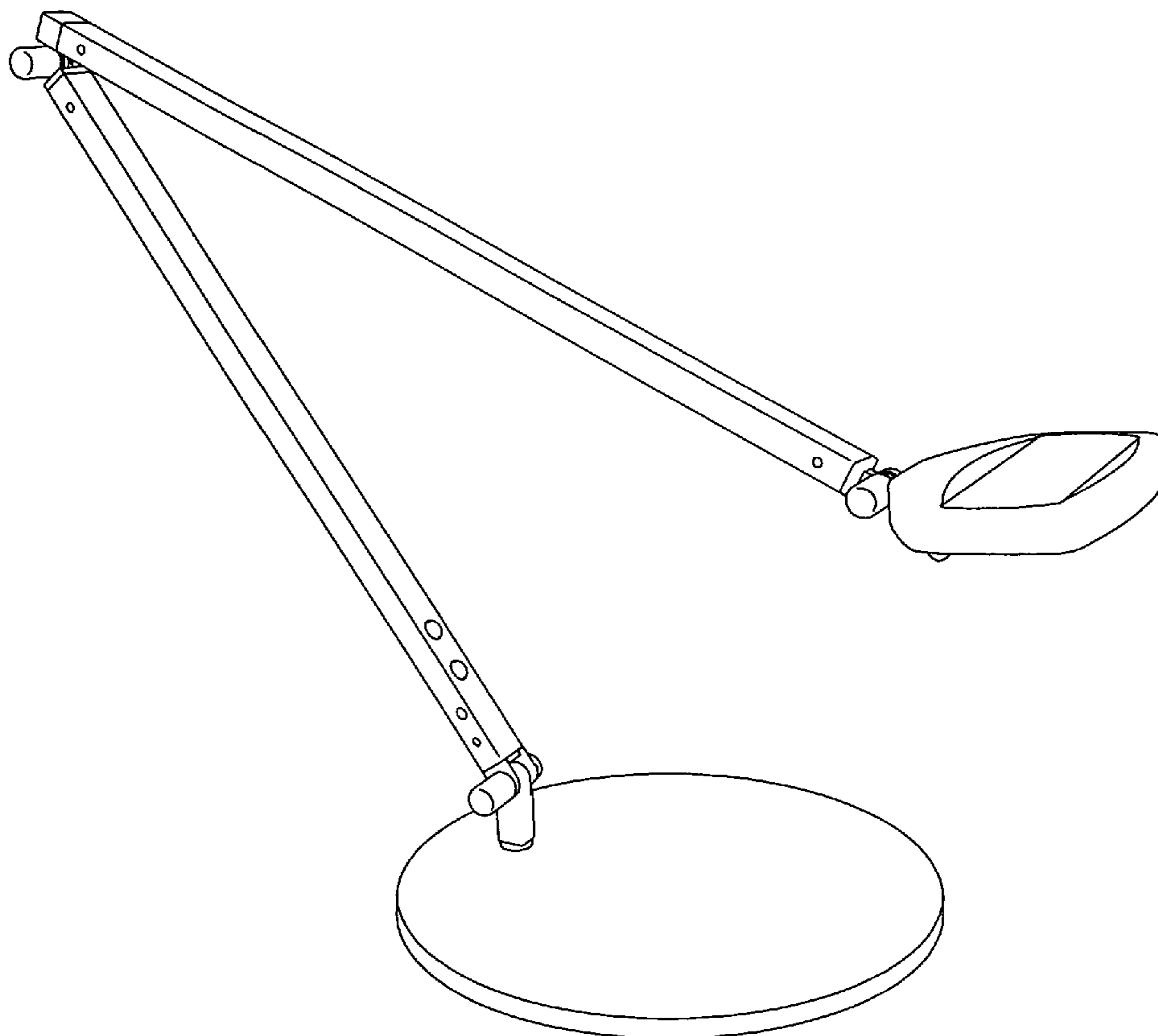
(57) **CLAIM**

The ornamental design for a slim adjustable LED lamp, as shown.

**DESCRIPTION**

FIG. 1 is a front elevational view of a slim adjustable LED lamp showing my new design;  
 FIG. 2 is a rear elevational view thereof;  
 FIG. 3 is a side elevational view thereof;  
 FIG. 4 is a top plan view thereof;  
 FIG. 5 is a perspective view thereof; and,  
 FIG. 6 is a perspective view thereof with adjusted position.

**1 Claim, 6 Drawing Sheets**



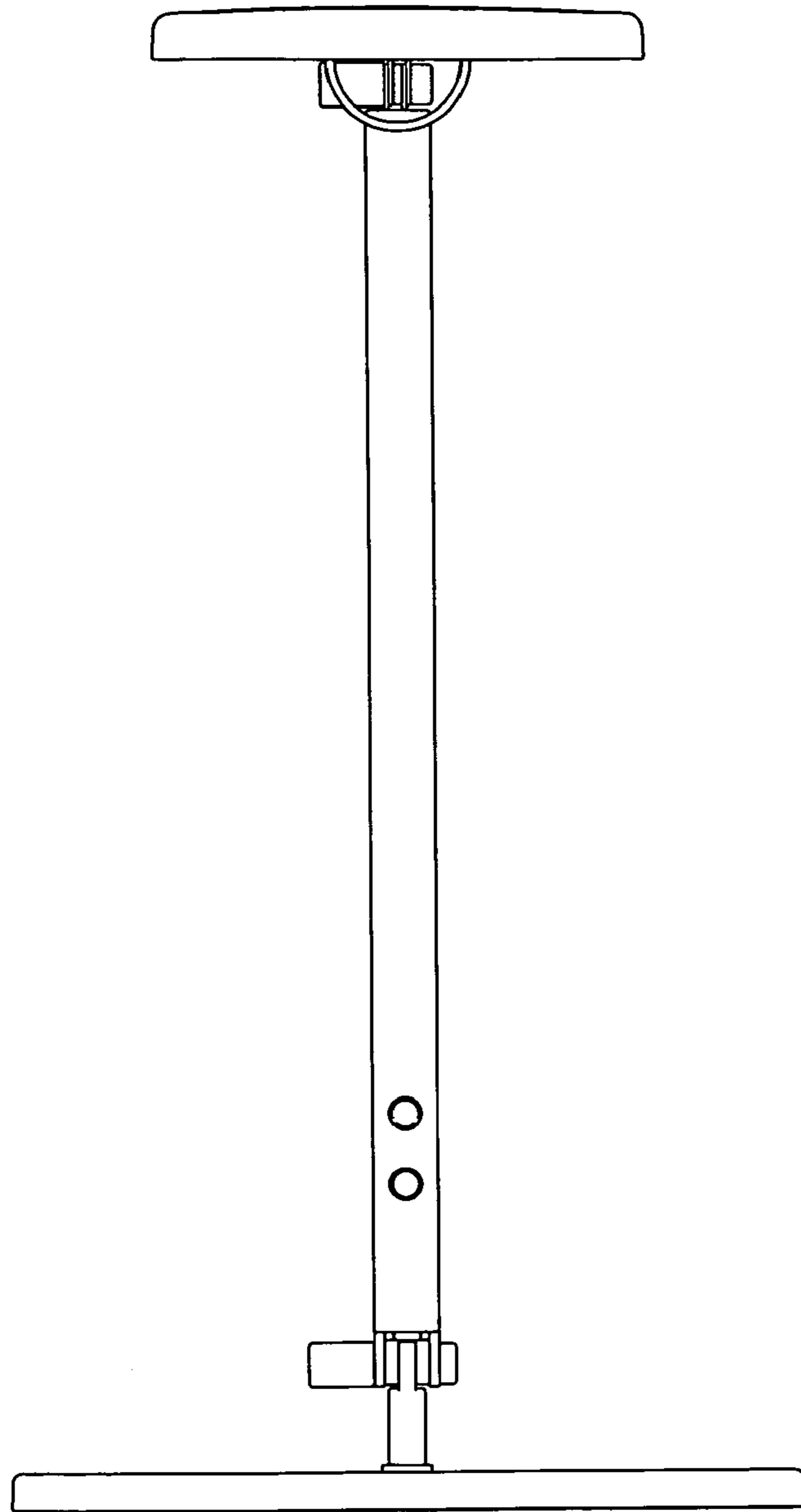


Fig. 1

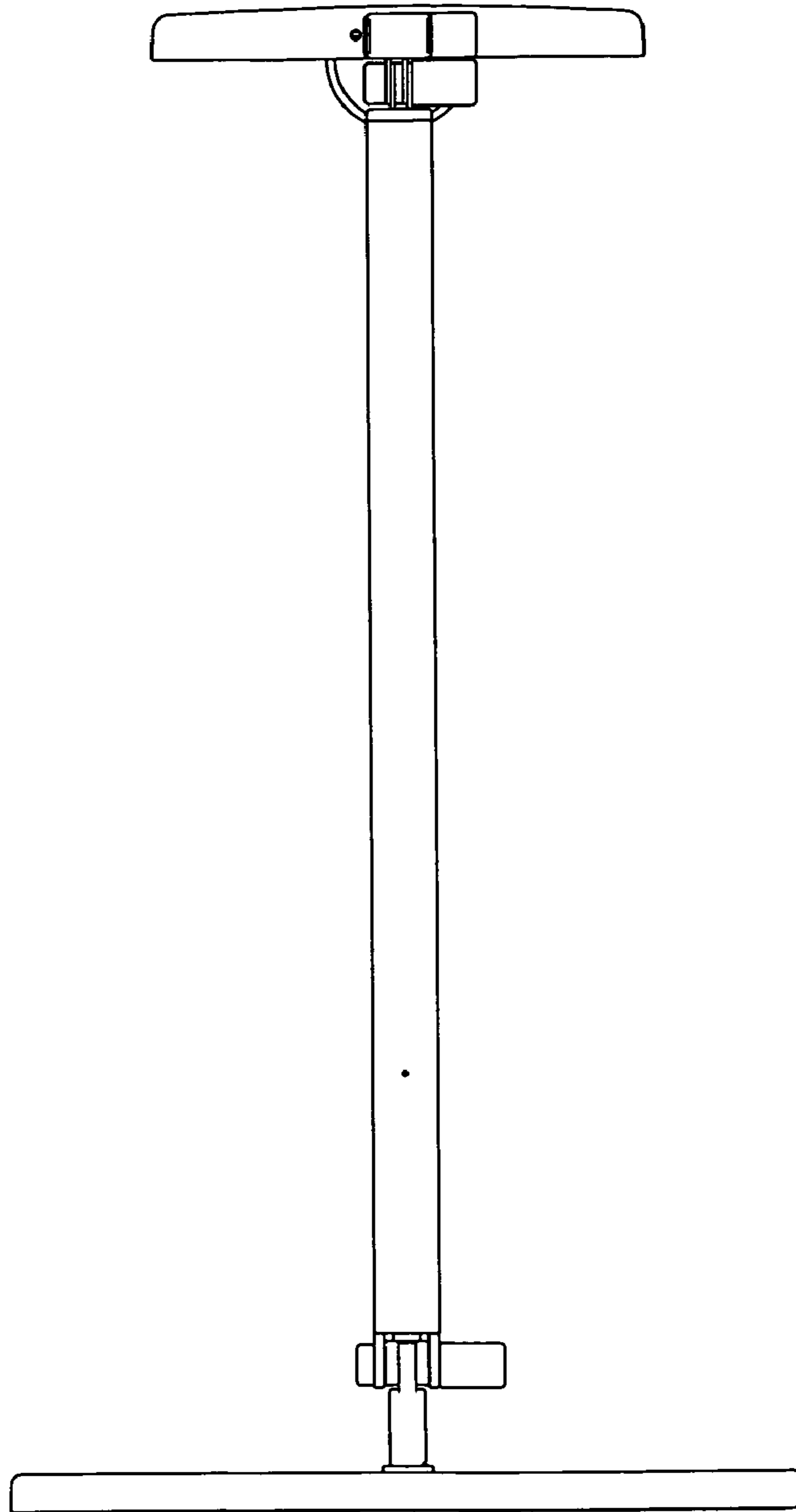


Fig. 2

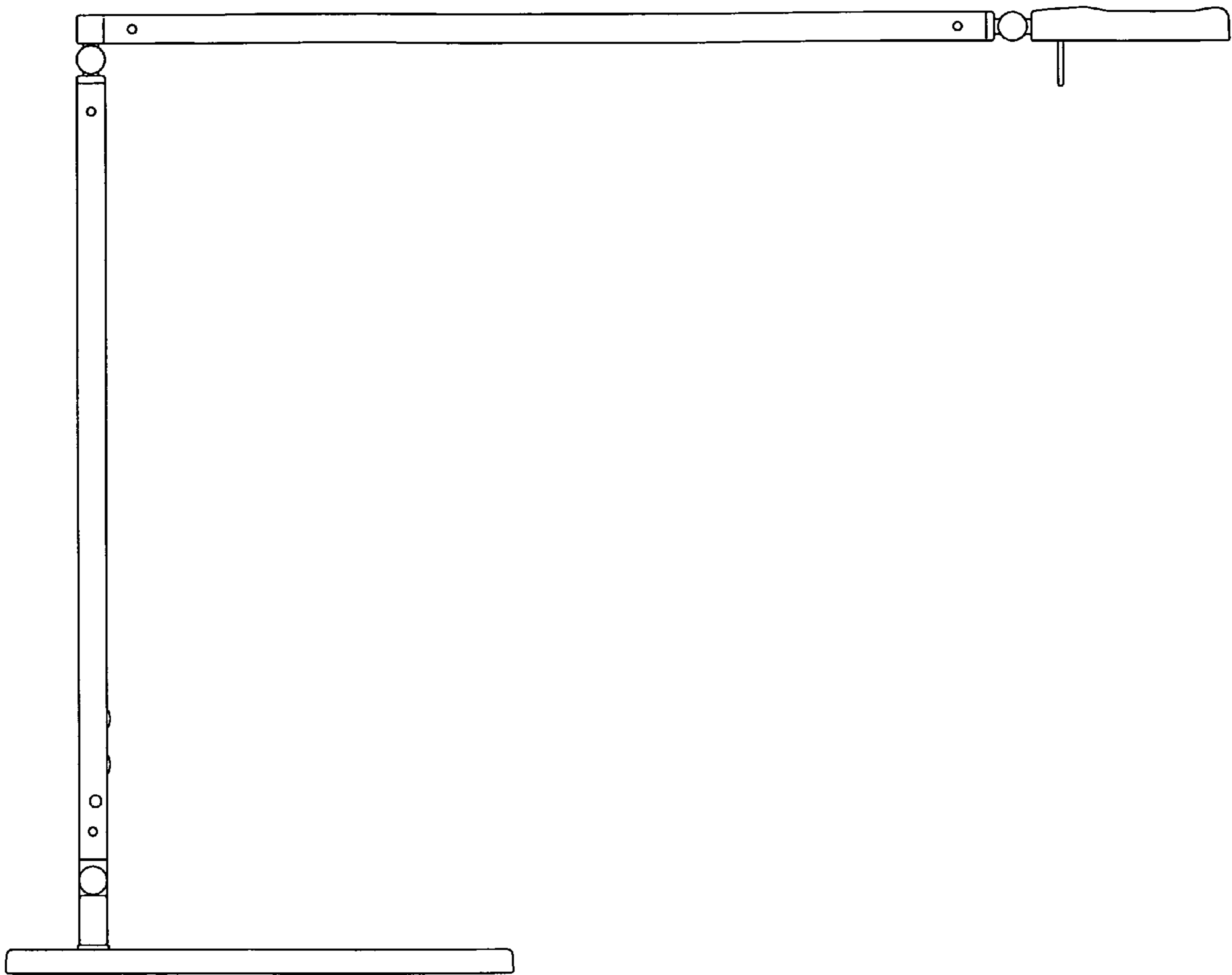


Fig. 3

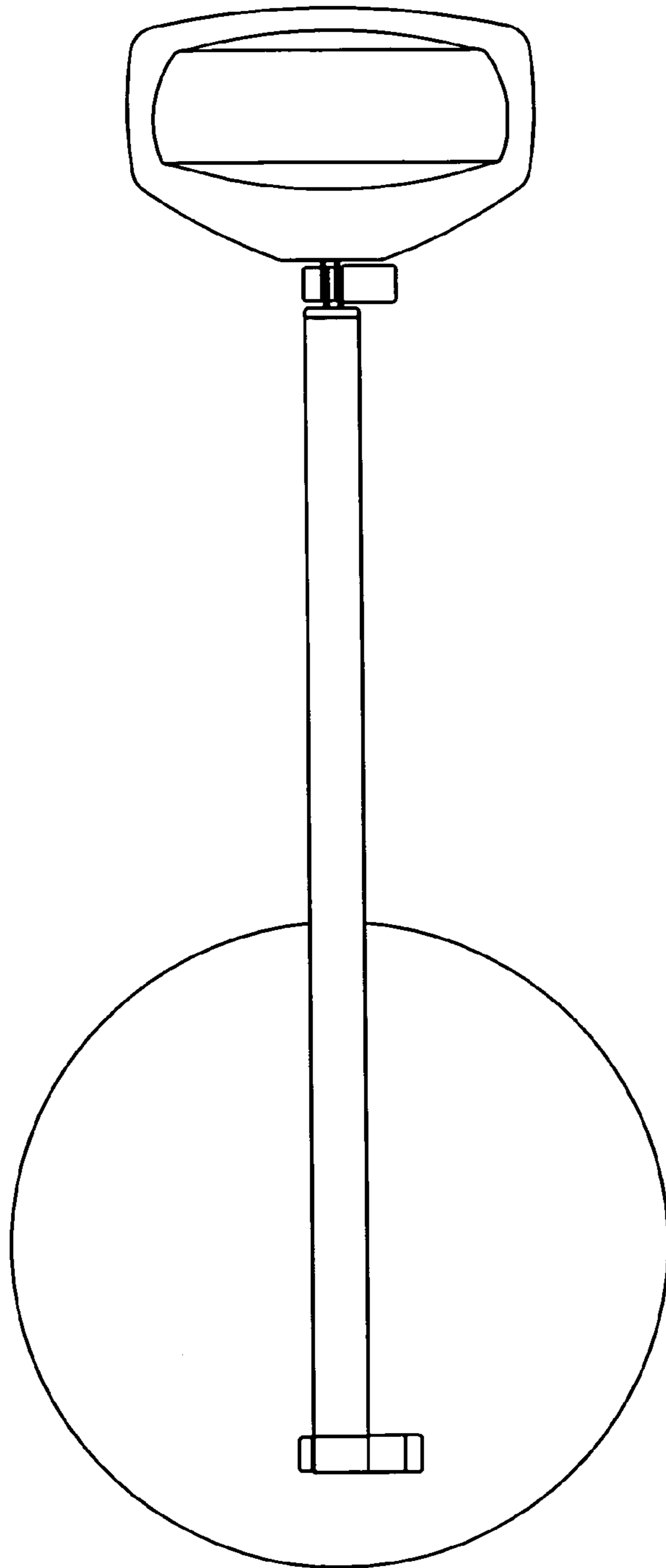


Fig. 4

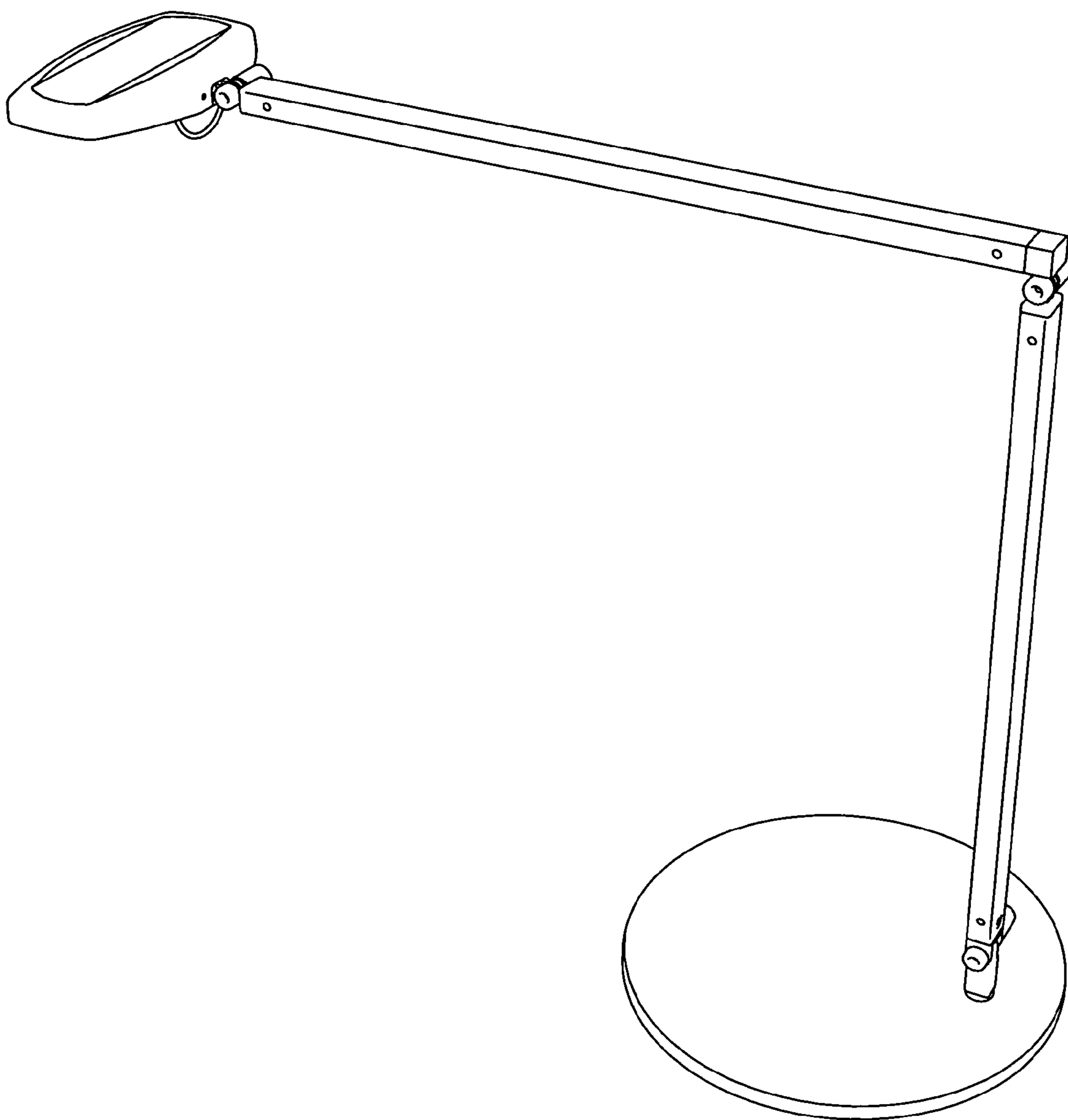


Fig. 5

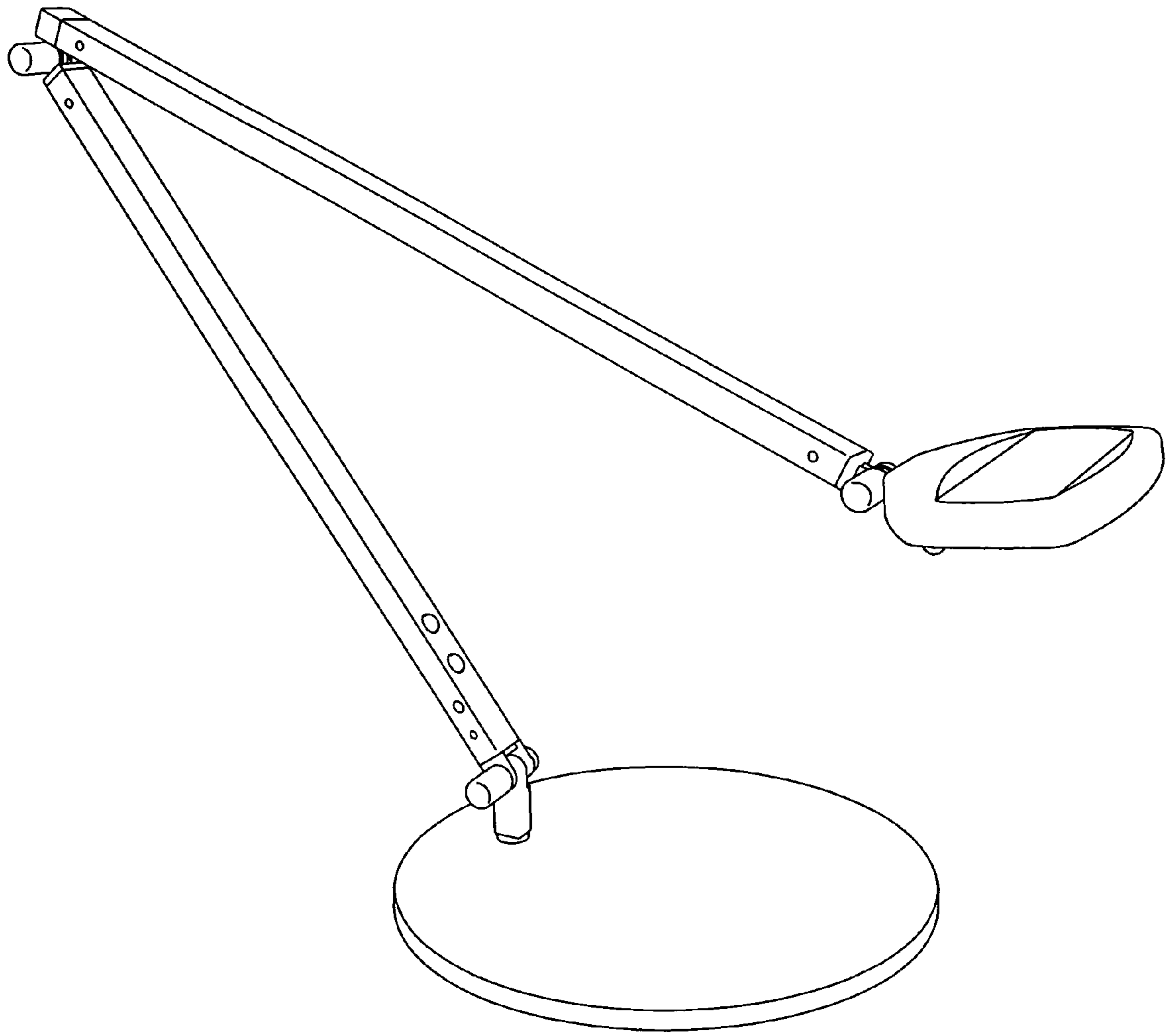


Fig. 6